



US00D628693S

(12) **United States Design Patent**  
**Thuenker**

(10) **Patent No.:** **US D628,693 S**

(45) **Date of Patent:** **\*\* Dec. 7, 2010**

(54) **HOLDER FOR MEDICAL DEVICE**

(75) Inventor: **Heinrich Thuenker**, Ibbenbueren (DE)

(73) Assignee: **Karl Storz GmbH Co. KG**, Tuttlingen (DE)

(\*\*) Term: **14 Years**

(21) Appl. No.: **29/357,955**

(22) Filed: **Mar. 19, 2010**

(30) **Foreign Application Priority Data**

Sep. 29, 2009 (EM) ..... 001617259-0005

(51) **LOC (9) Cl.** ..... **24-02**

(52) **U.S. Cl.** ..... **D24/133**

(58) **Field of Classification Search** ..... D24/133,  
D24/137, 138, 140; 600/7, 102, 227, 234  
See application file for complete search history.

(56) **References Cited**

**U.S. PATENT DOCUMENTS**

D291,091 S *	7/1987	Feinbloom et al. ....	D16/130
D293,470 S *	12/1987	Adler .....	D24/140
4,867,404 A *	9/1989	Harrington et al. ....	606/46
D310,875 S *	9/1990	Hokanson .....	D24/176
D333,702 S *	3/1993	Huffman .....	D24/135
D336,334 S *	6/1993	Bhitiyakul .....	D24/129
D358,642 S *	5/1995	Michelson .....	D24/140
D407,488 S *	3/1999	Injev .....	D24/133
D476,084 S *	6/2003	Gao et al. ....	D24/133
D486,910 S *	2/2004	Hayamizu et al. ....	D24/138
2002/0016527 A1 *	2/2002	Hancock .....	600/213
2002/0188175 A1 *	12/2002	Levine et al. ....	600/159

2003/0208187 A1\* 11/2003 Layer ..... 606/1

\* cited by examiner

*Primary Examiner*—Bridget L Eland

(74) *Attorney, Agent, or Firm*—Muncy, Geissler, Olds & Lowe, PLLC

(57) **CLAIM**

The ornamental design for a holder for medical device, as shown and described.

**DESCRIPTION**

FIG. 1 is a left side perspective view of a holder for medical device according to an embodiment of the present invention.

FIG. 2 is a right side perspective view of the holder for medical device of FIG. 1.

FIG. 3 is a top perspective view of the holder for medical device of FIG. 1.

FIG. 4 is a bottom perspective view of the holder for medical device of FIG. 1.

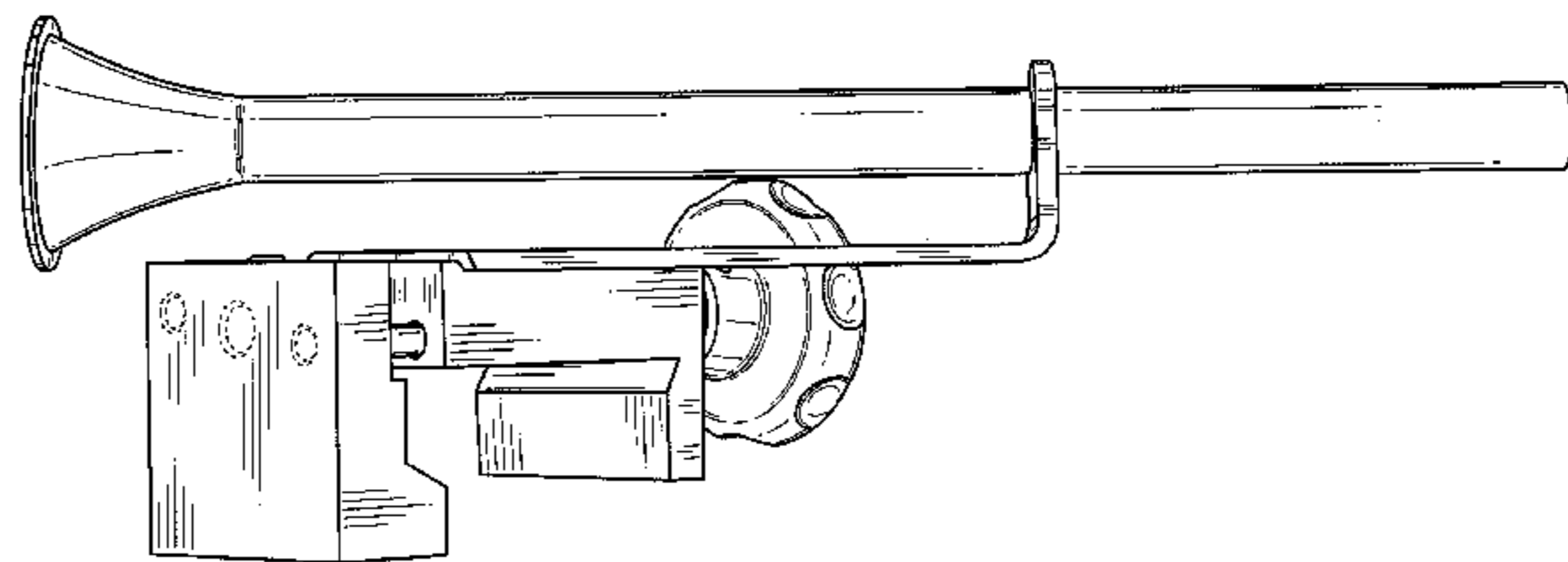
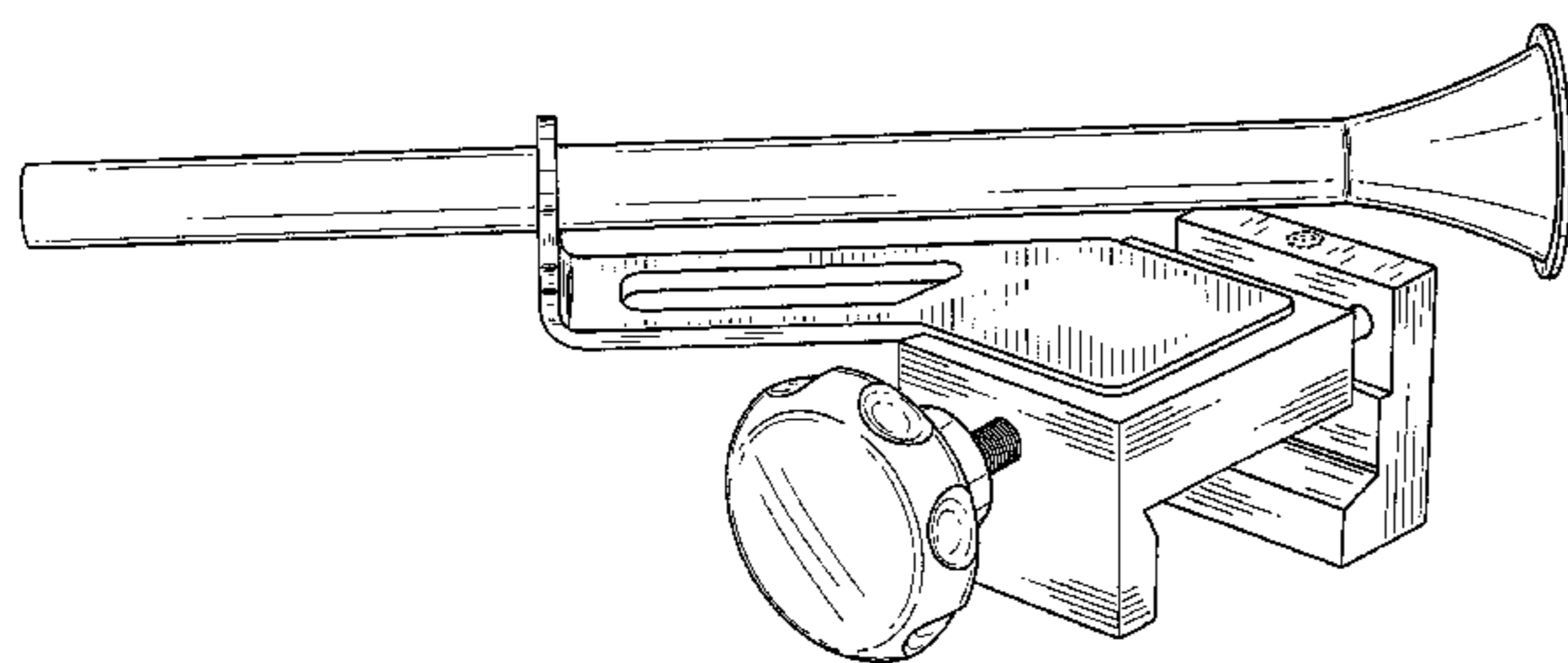
FIG. 5 is a front perspective view of the holder for medical device of FIG. 1.

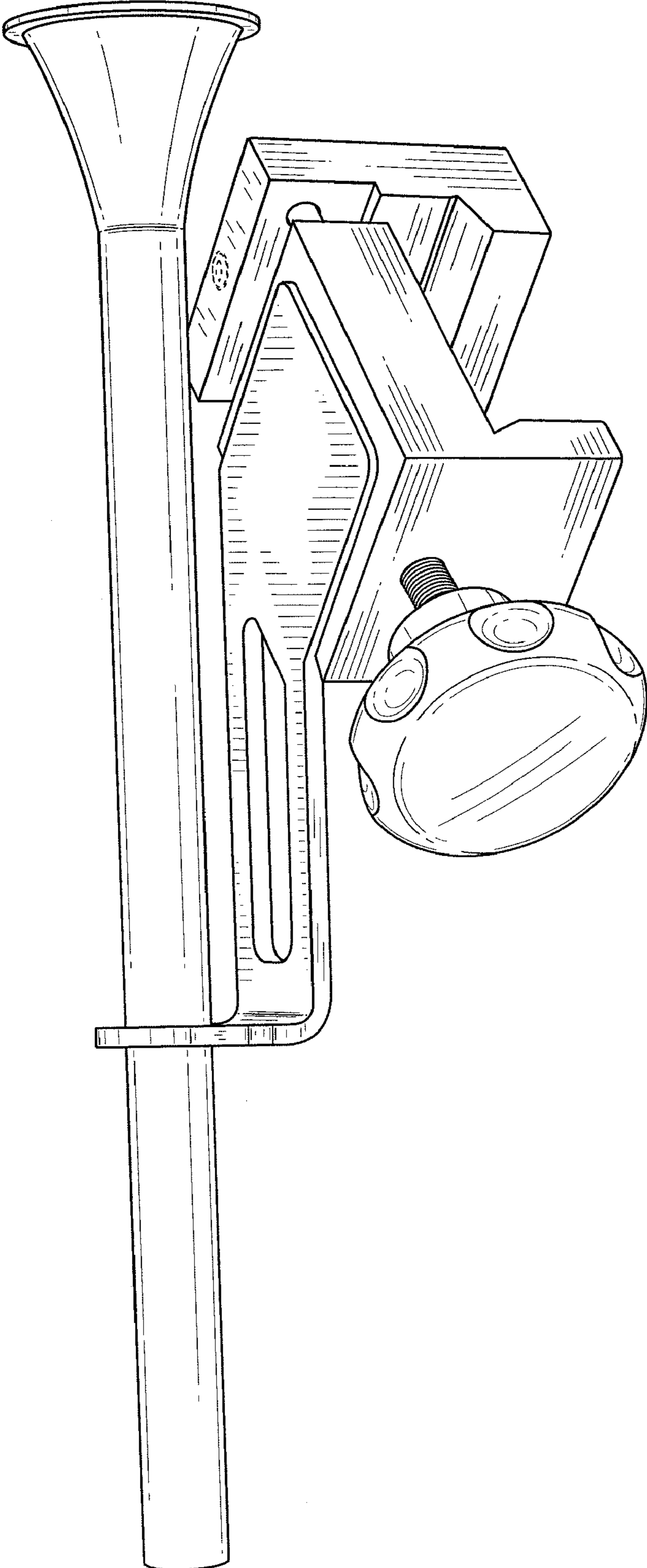
FIG. 6 is a rear perspective view of the holder for medical device of FIG. 1; and,

FIG. 7 is a three-quarter perspective view of the holder for medical device of FIG. 1.

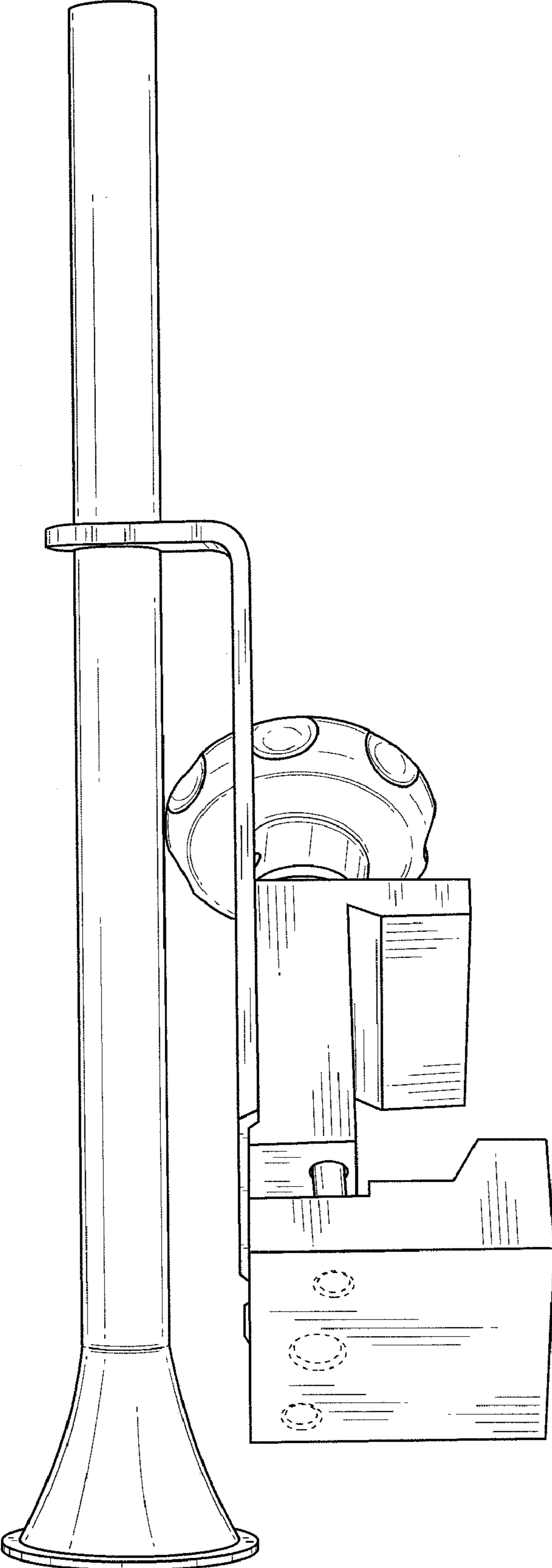
The broken lines immediately adjacent the shaded areas represent the bounds of the claimed design while all other broken lines are directed to environment and are for illustrative purposes only; the broken lines form no part of the claimed design.

**1 Claim, 7 Drawing Sheets**

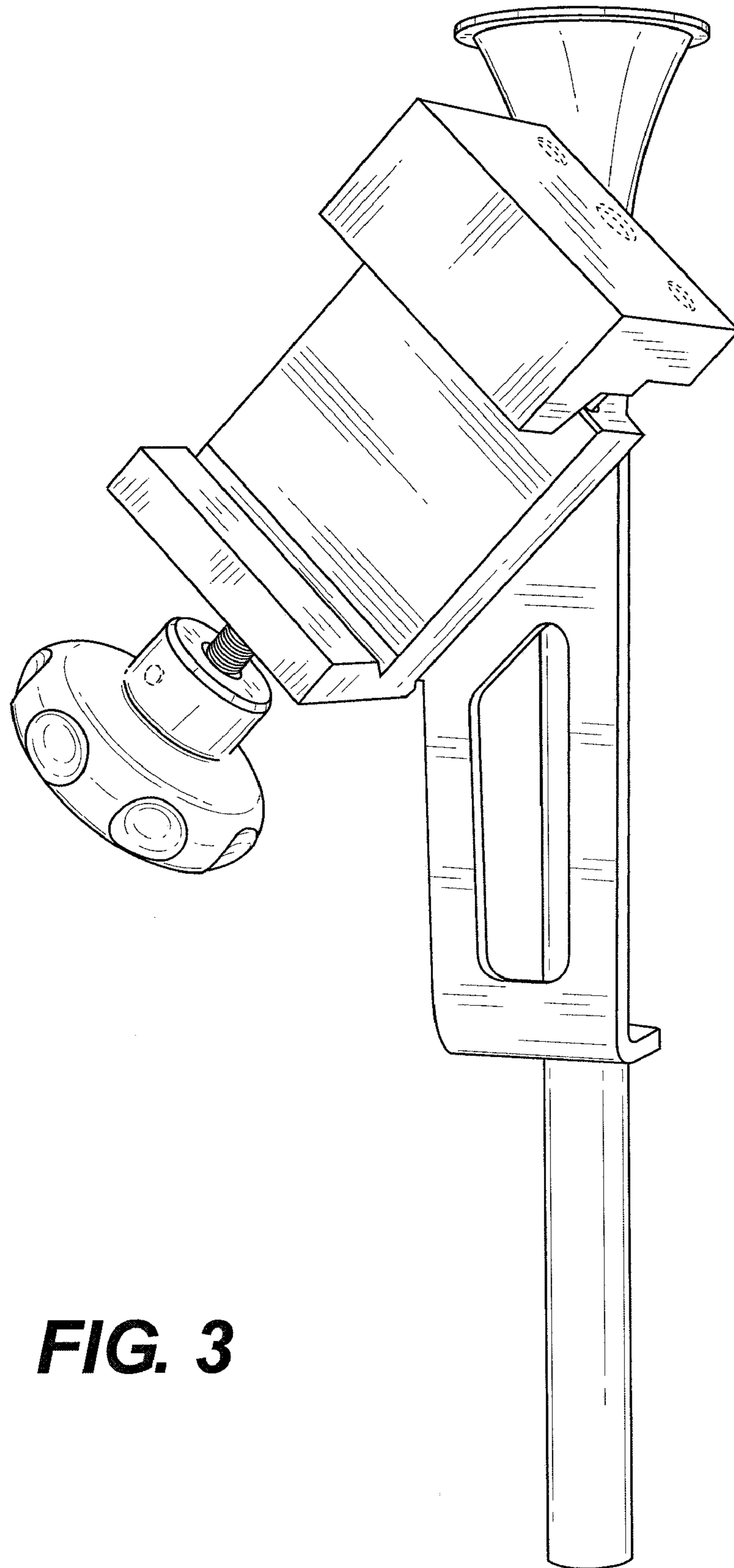




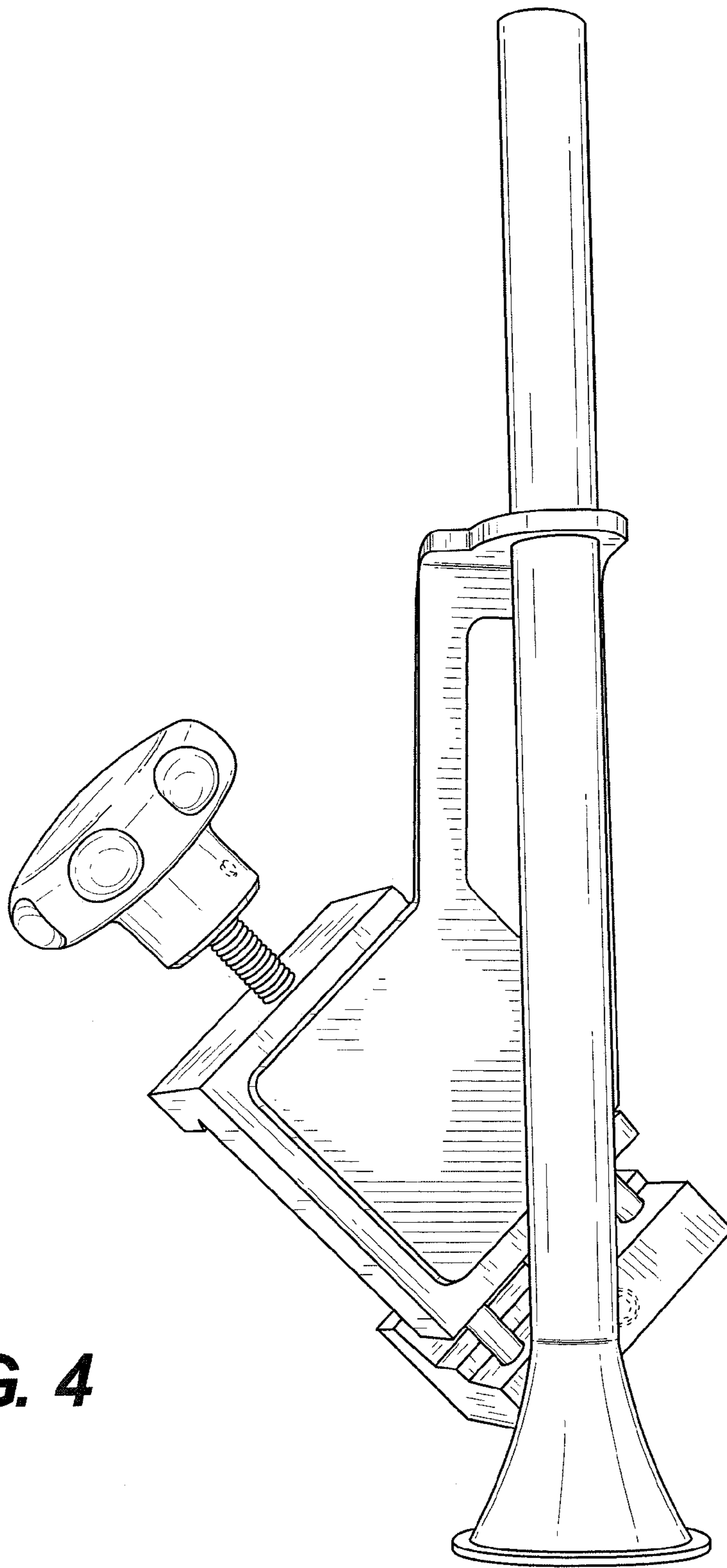
**FIG. 1**



**FIG. 2**

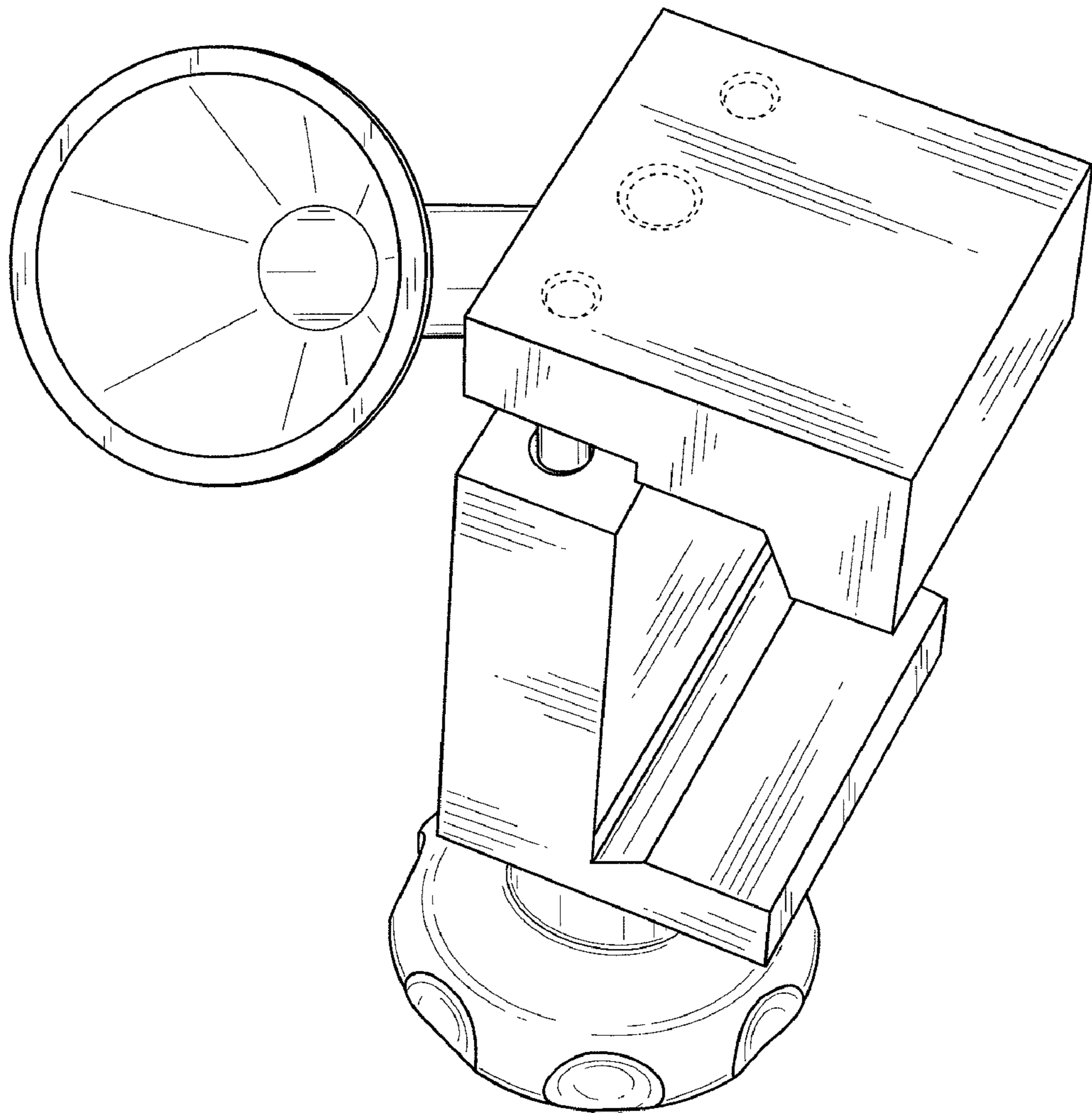


**FIG. 3**

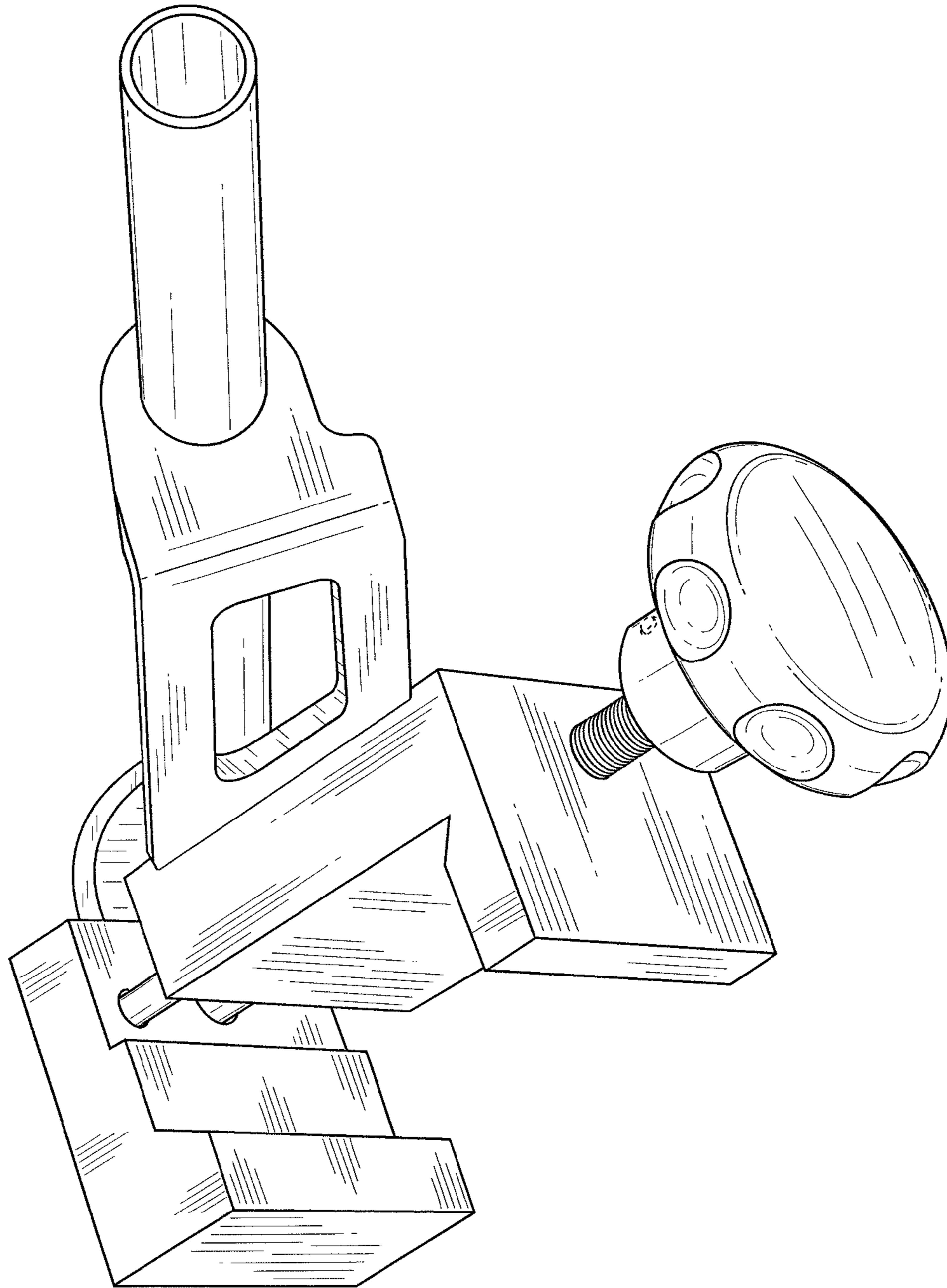


**FIG. 4**

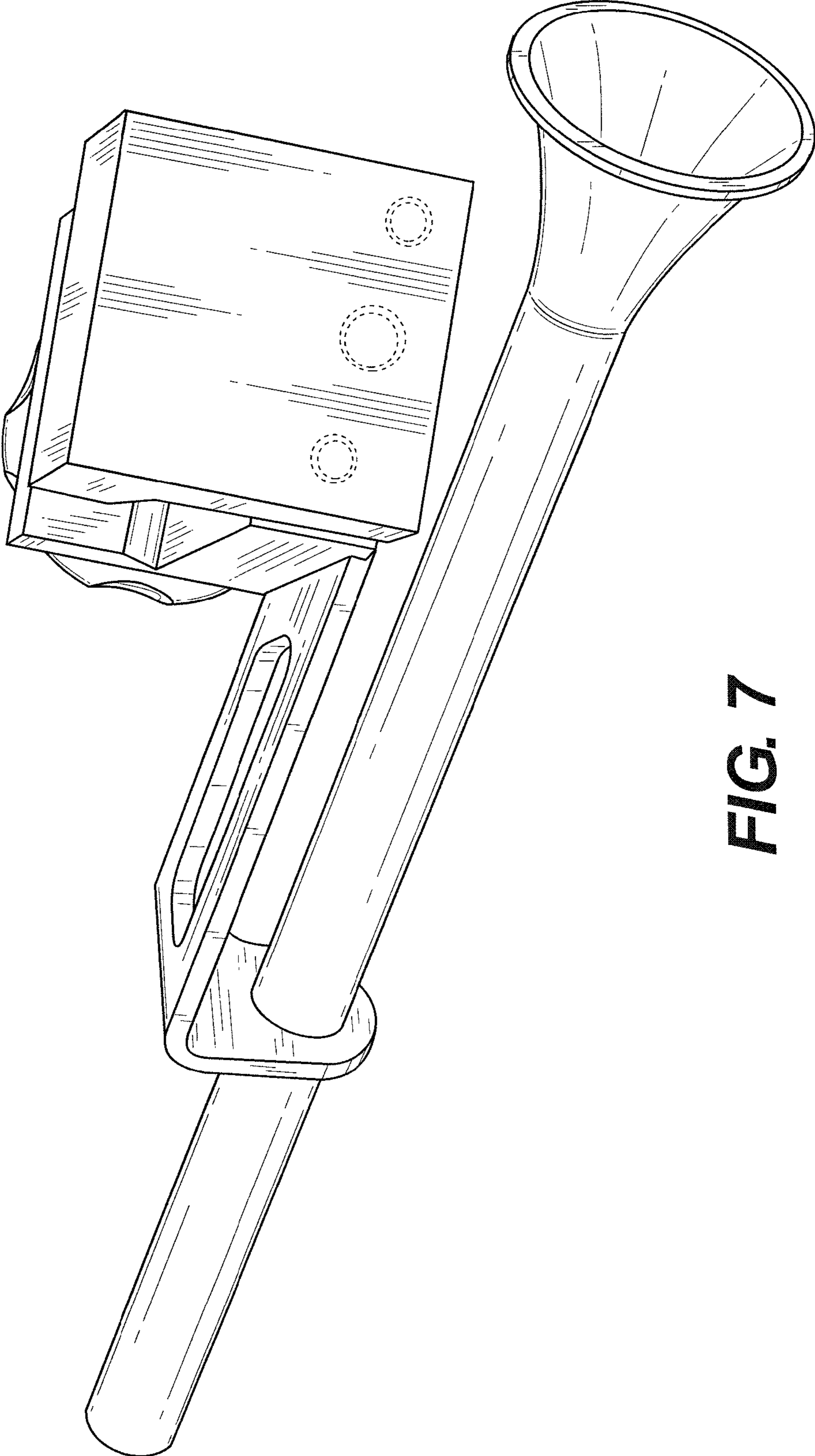




**FIG. 5**



**FIG. 6**



**FIG. 7**