



US00D628692S

(12) **United States Design Patent**
Greenhalgh

(10) **Patent No.:** **US D628,692 S**
(45) **Date of Patent:** **** Dec. 7, 2010**

(54) **MEDICAL INSTRUMENT**

(75) Inventor: **Paul Greenhalgh**, Ickleton (GB)

(73) Assignee: **Profibrix B.V.**, Leiderdrop (NL)

(**) Term: **14 Years**

(21) Appl. No.: **29/339,045**

(22) Filed: **Jun. 23, 2009**

(30) **Foreign Application Priority Data**

Dec. 23, 2008 (EM) 001061956-0001

(51) **LOC (9) Cl.** **24-02**

(52) **U.S. Cl.** **D24/133; D24/147**

(58) **Field of Classification Search** D24/107,
D24/133, 108, 112, 113, 114, 137, 138, 144,
D24/130, 147; 604/30, 32, 33, 35, 247, 110,
604/249, 34, 39, 36, 43, 58, 119, 201, 216,
604/217, 275, 232; 222/633, 635, 631, 632

See application file for complete search history.

(56) **References Cited**

U.S. PATENT DOCUMENTS

600,547 A * 3/1898 Mazzanovich 222/633

(Continued)

Primary Examiner—Freda S Nunn

Assistant Examiner—Wan Laymon

(74) *Attorney, Agent, or Firm*—Young Basile

(57) **CLAIM**

The ornamental design for the medical instrument, as shown and described.

DESCRIPTION

FIG. 1 is a top plan view of the medical instrument with a depressible button in a raised position and a rotatable nozzle in a vertically and horizontally centered position;

FIG. 2 is a bottom plan view of the medical instrument with the nozzle in the vertically and horizontally centered position;

FIG. 3 is a right elevation view of the medical instrument with the button in the raised position with the nozzle in the vertically and horizontally centered position;

FIG. 4 is a left side elevation view of the medical instrument with the button in the raised position and the nozzle in the vertically and horizontally centered position;

FIG. 5 is a front elevation view of the medical instrument with the nozzle in the vertically and horizontally centered position, where the broken lines showing portions of a medical instrument are included for the purpose of illustrating environmental structure and form no part of the claimed design.

FIG. 6 is a rear elevation view of the medical instrument with the button in the raised position and the nozzle in the vertically and horizontally centered position;

FIG. 7 is a perspective view of the medical instrument viewed from the rear and right of and above the medical instrument and with the button in the raised position and the nozzle in the vertically and horizontally centered position;

FIG. 8 is a perspective view of the medical instrument viewed from the front and left of and below the medical instrument and with the button in the raised position and the nozzle in the vertically and horizontally centered position;

FIG. 9 is a left side elevation view of the medical instrument with the button in a lowered position and the nozzle in the vertically and horizontally centered position;

FIG. 10 is a top plan view of the medical instrument with the button in the lowered position and the nozzle in the vertically and horizontally centered position;

FIG. 11 is a perspective view of the medical instrument viewed from the rear and right of and above the medical instrument and with the button in the lowered position and the nozzle in the vertically and horizontally centered position;

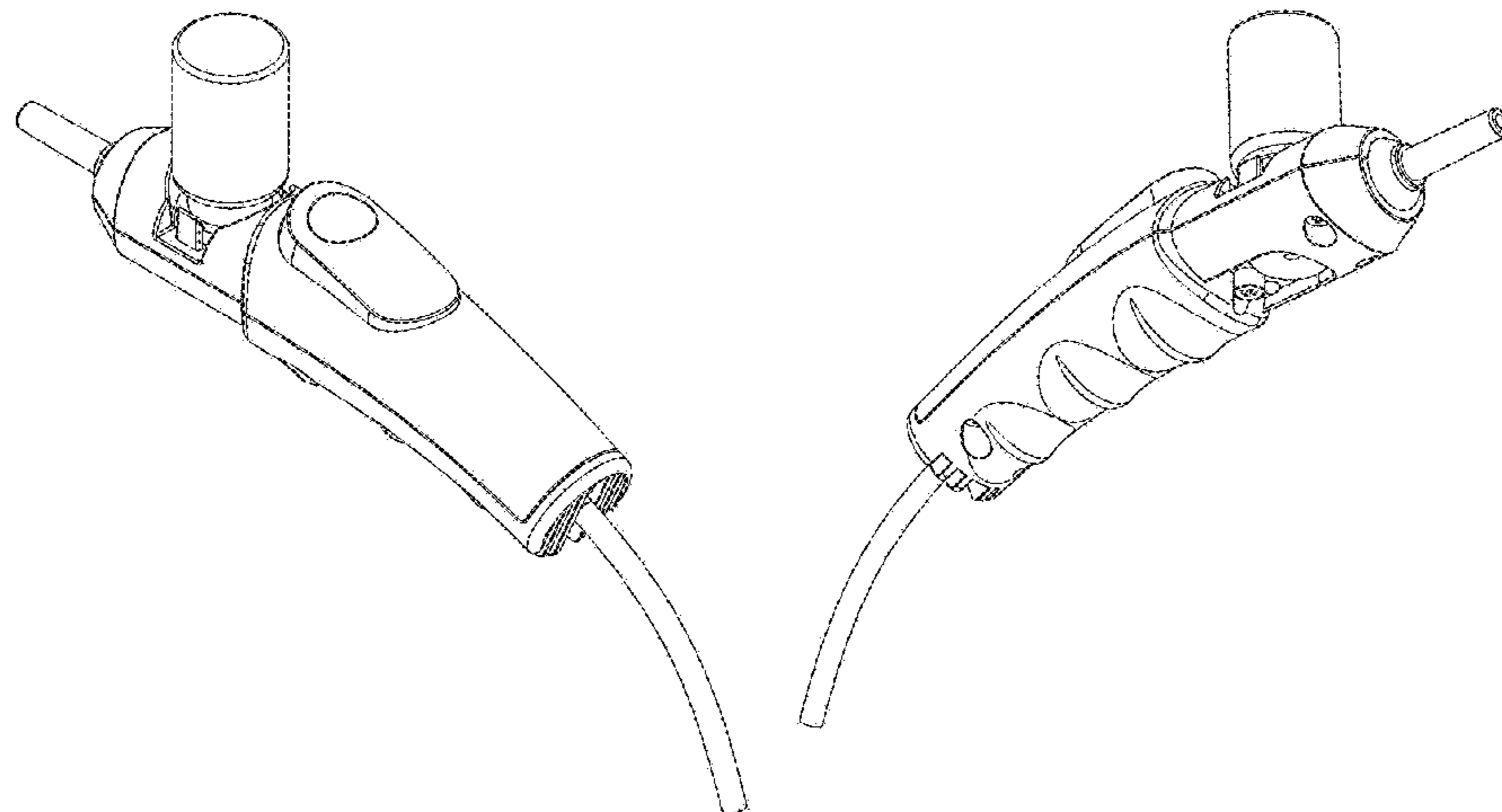
FIG. 12 is a right elevation view of the medical instrument with the button in the raised position with the nozzle in a vertically raised and horizontally centered position;

FIG. 13 is a right elevation view of the medical instrument with the button in the raised position with the nozzle in a vertically lowered and horizontally centered position;

FIG. 14 is a top plan view of the medical instrument with the button in the raised position and the nozzle in a vertically centered and first horizontally displaced position; and,

FIG. 15 is a top plan view of the medical instrument with the button in the raised position and the nozzle in a vertically centered and second horizontally displaced position.

1 Claim, 15 Drawing Sheets



US D628,692 S

Page 2

U.S. PATENT DOCUMENTS

1,929,154	A *	10/1933	Sundock	604/58	6,539,939	B2 *	4/2003	Rubin	604/58
2,087,805	A *	7/1937	Matsinger	604/58	6,635,034	B1 *	10/2003	Cosmescu	604/119
2,151,418	A *	3/1939	Bolte	604/201	6,691,892	B2 *	2/2004	Odessa	222/631
2,208,032	A *	7/1940	Hooper	D24/113	D533,274	S *	12/2006	Visconti et al.	D24/133
2,950,564	A *	8/1960	Bonine	222/631	D536,444	S *	2/2007	Bacher et al.	D24/133
D283,543	S *	4/1986	Nakamoto	D24/133	D537,162	S *	2/2007	Bacher et al.	D24/133
5,234,428	A *	8/1993	Kaufman	604/35	7,357,779	B2 *	4/2008	Barrett	604/43
D341,760	S *	11/1993	Armbruster et al.	D24/108	D578,644	S *	10/2008	Shumer et al.	D24/133
5,273,531	A *	12/1993	Knoepfler	604/58	D598,547	S *	8/2009	Stefan	D24/147
6,201,649	B1 *	3/2001	Rudischhauser et al.	359/808					

* cited by examiner

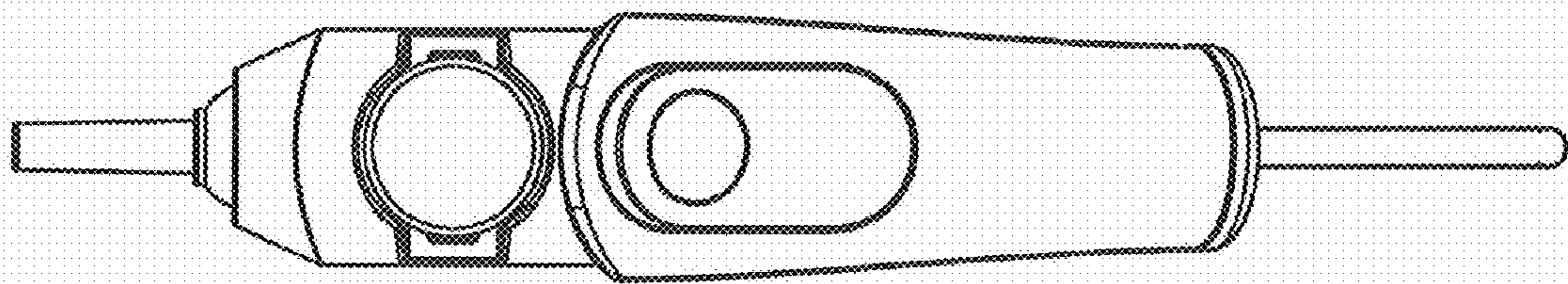
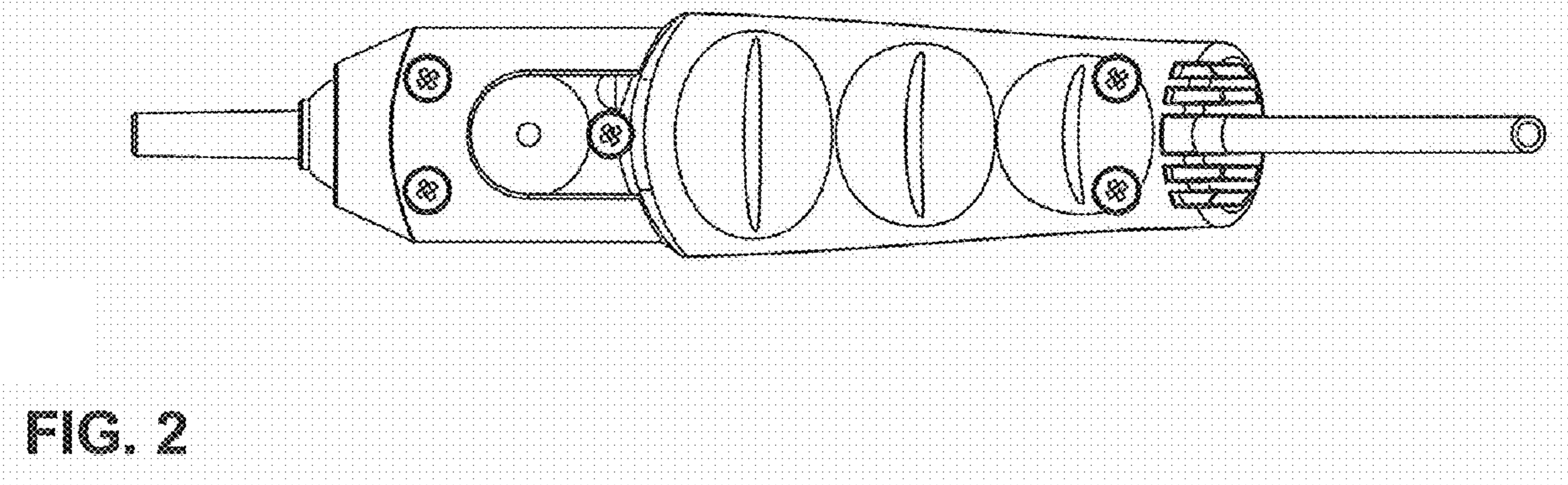


FIG. 1



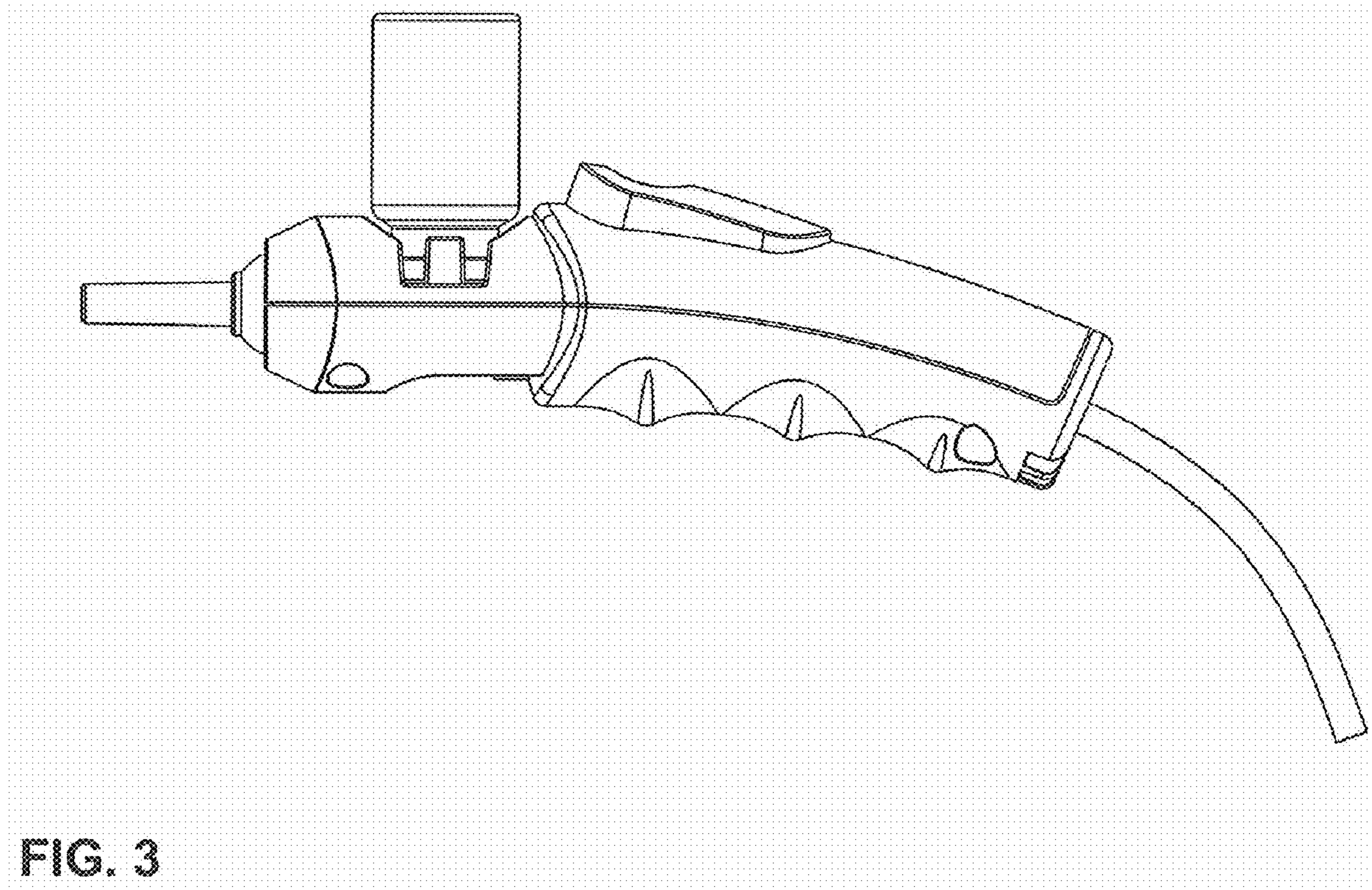
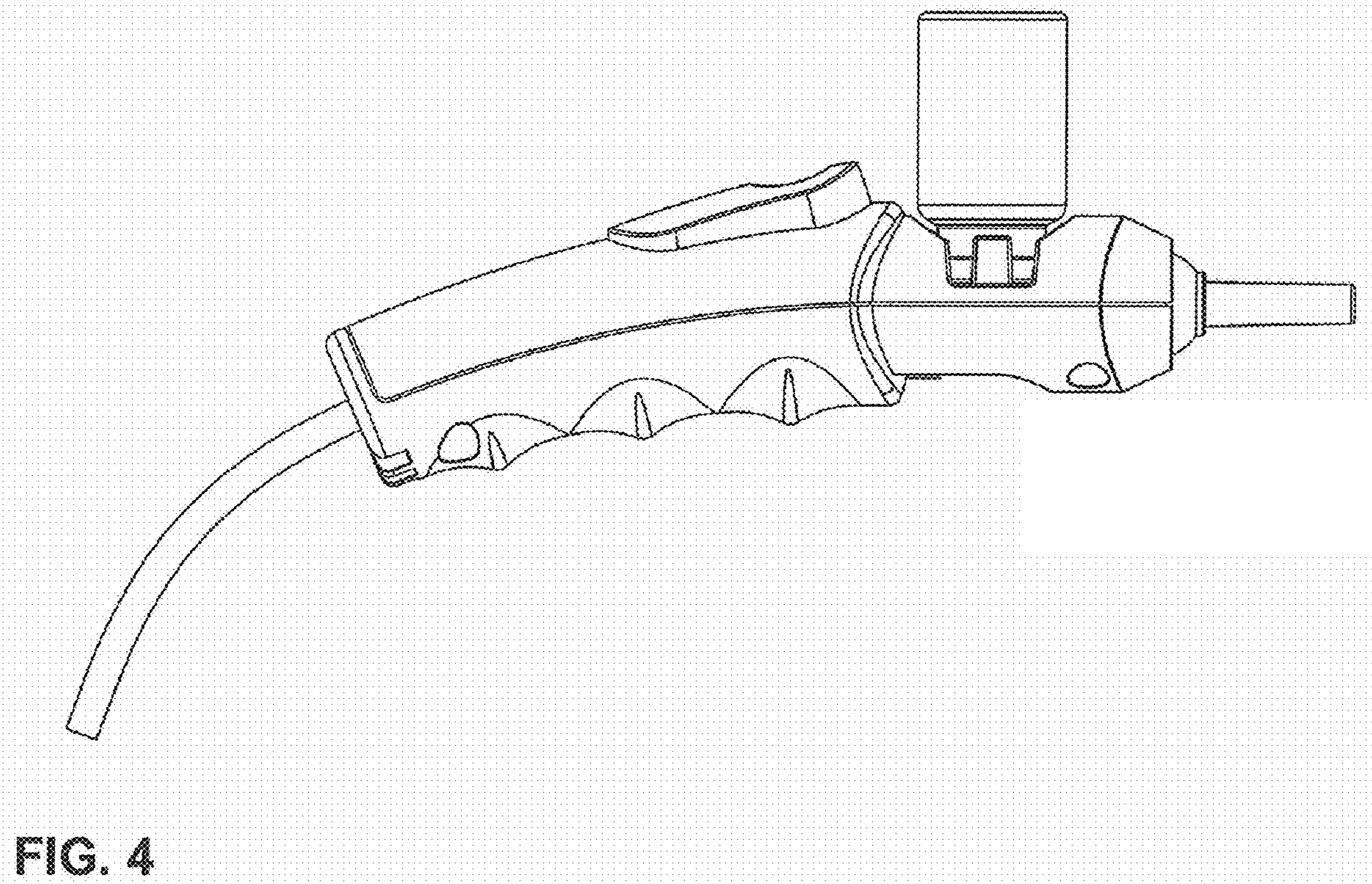


FIG. 3



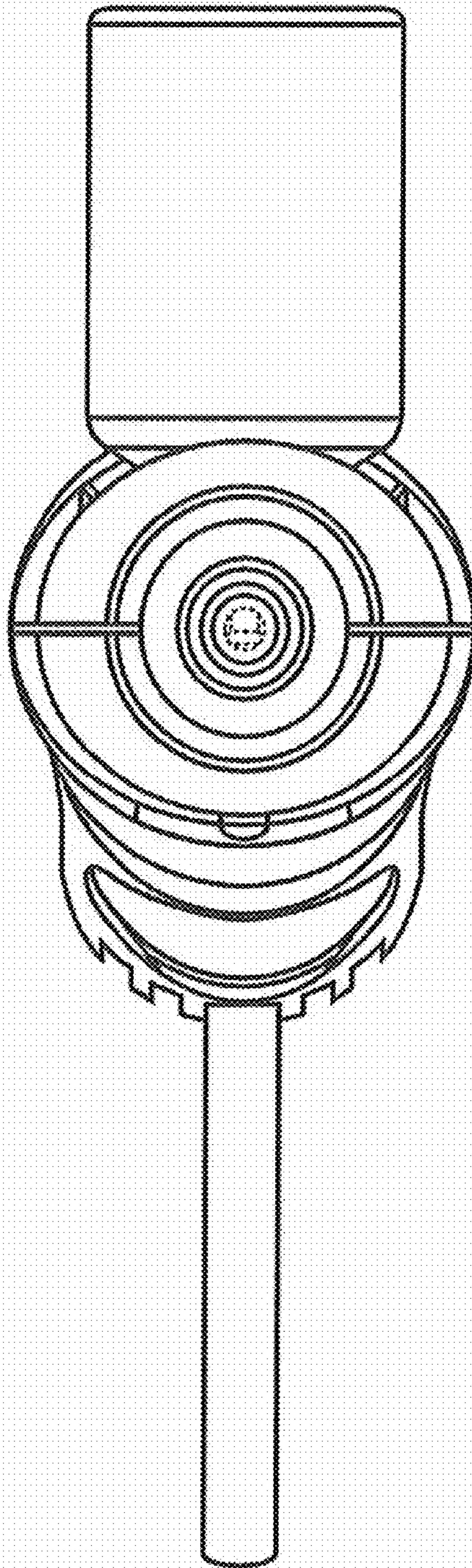


FIG. 5

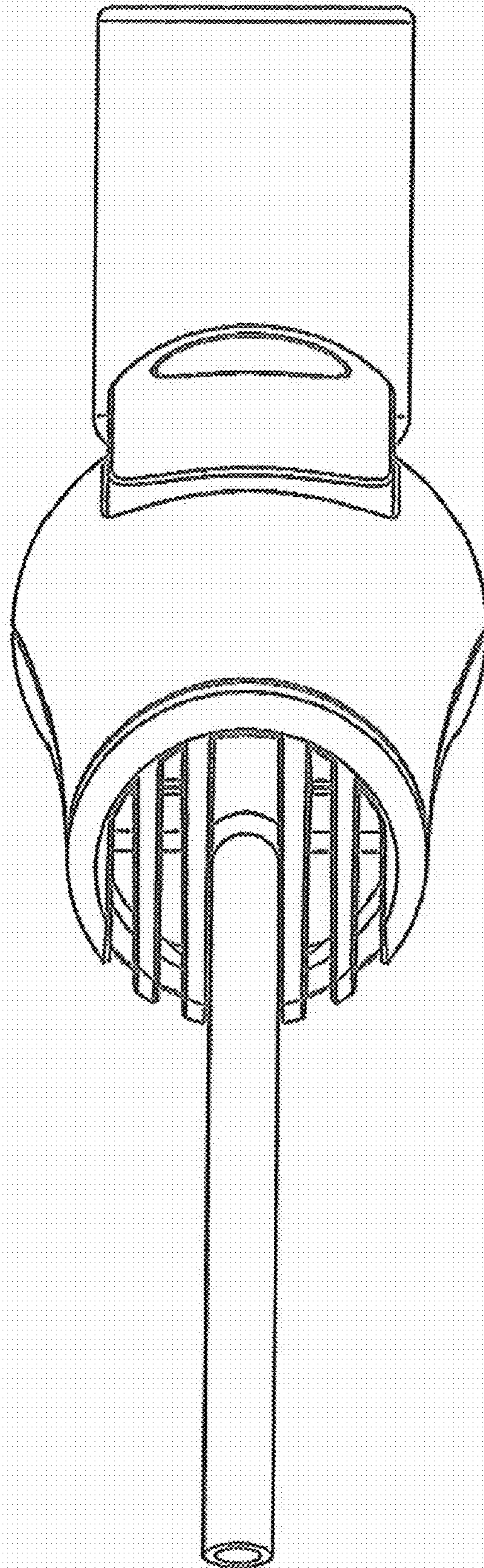


FIG. 6

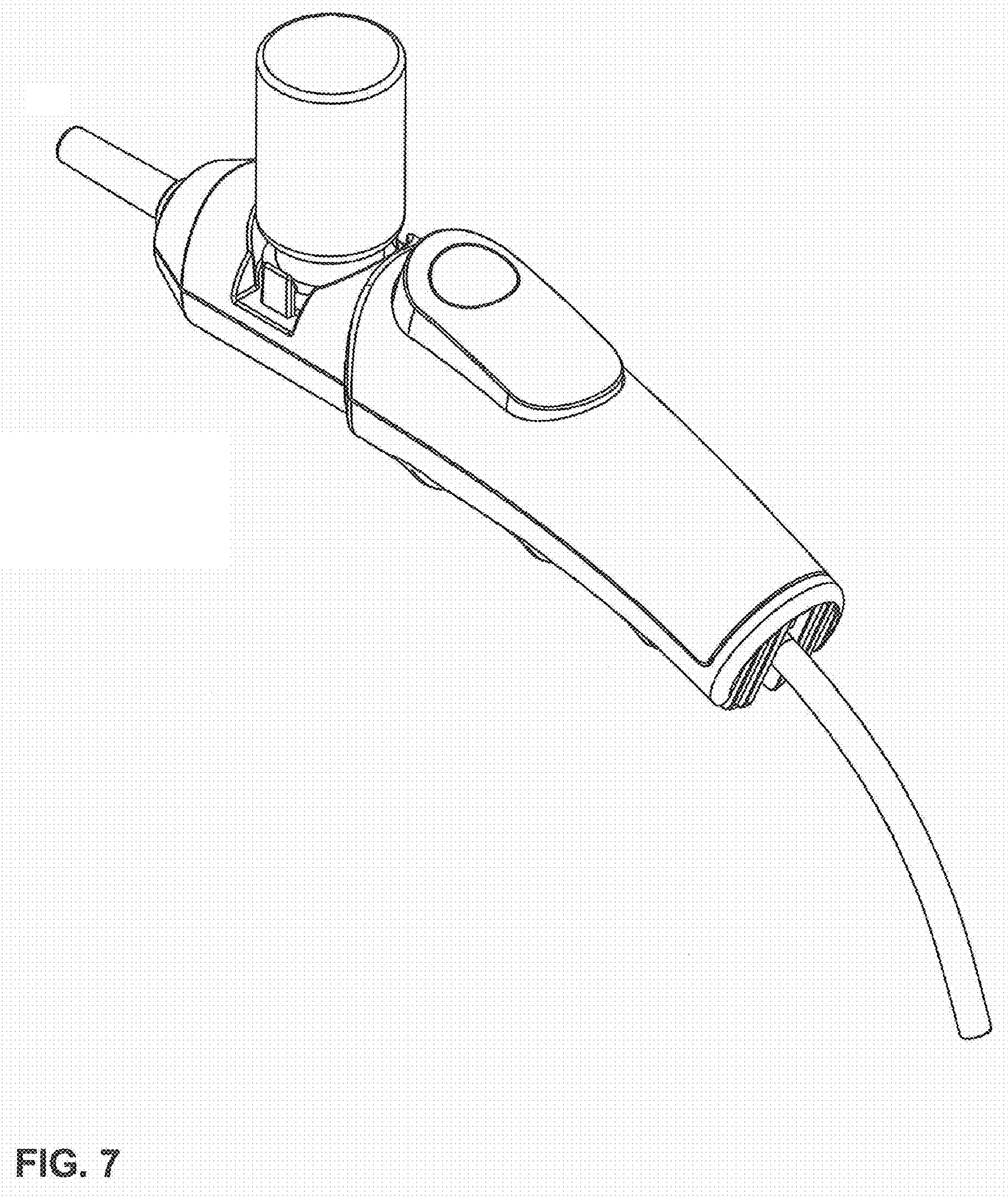


FIG. 7

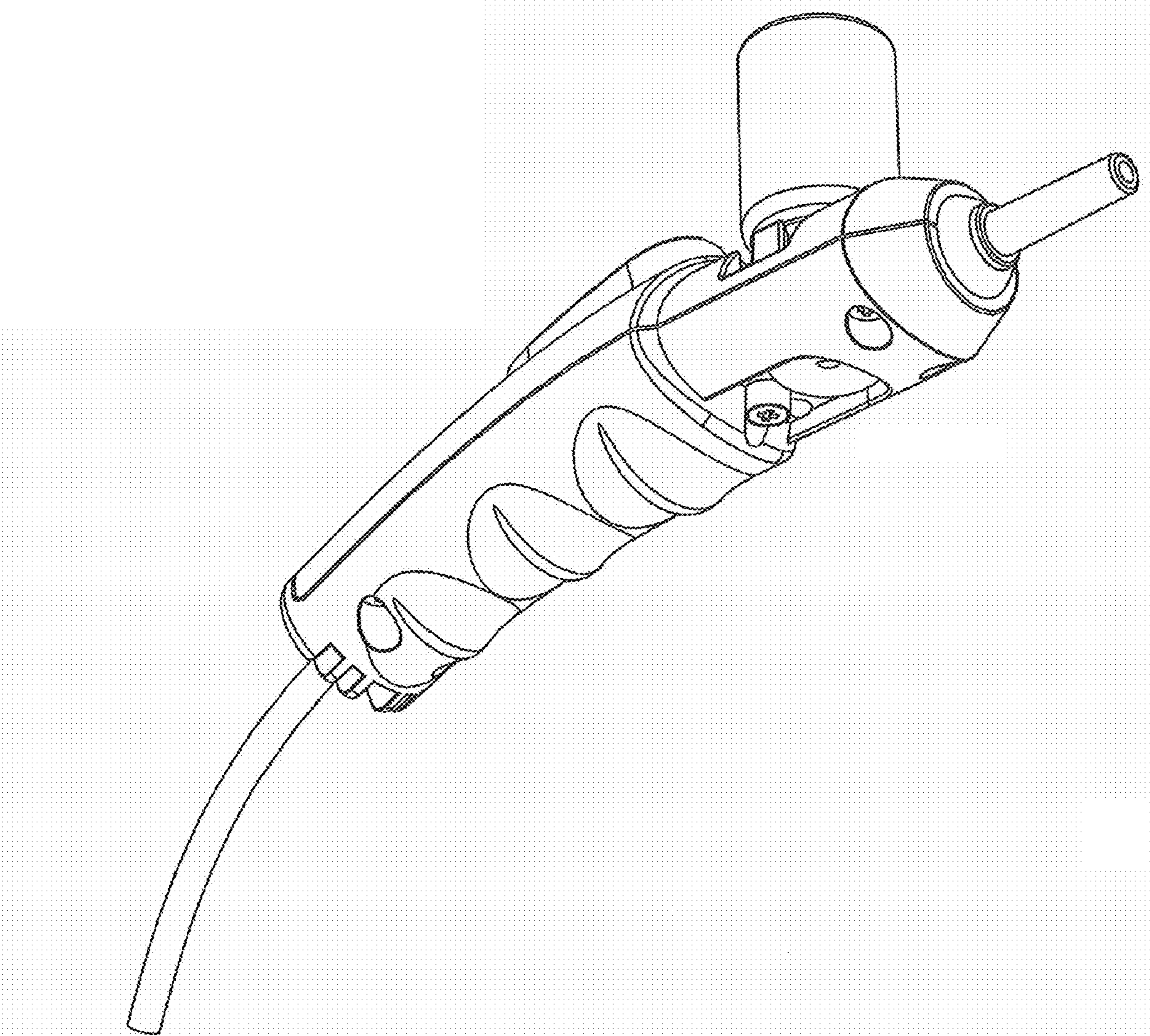


FIG. 8

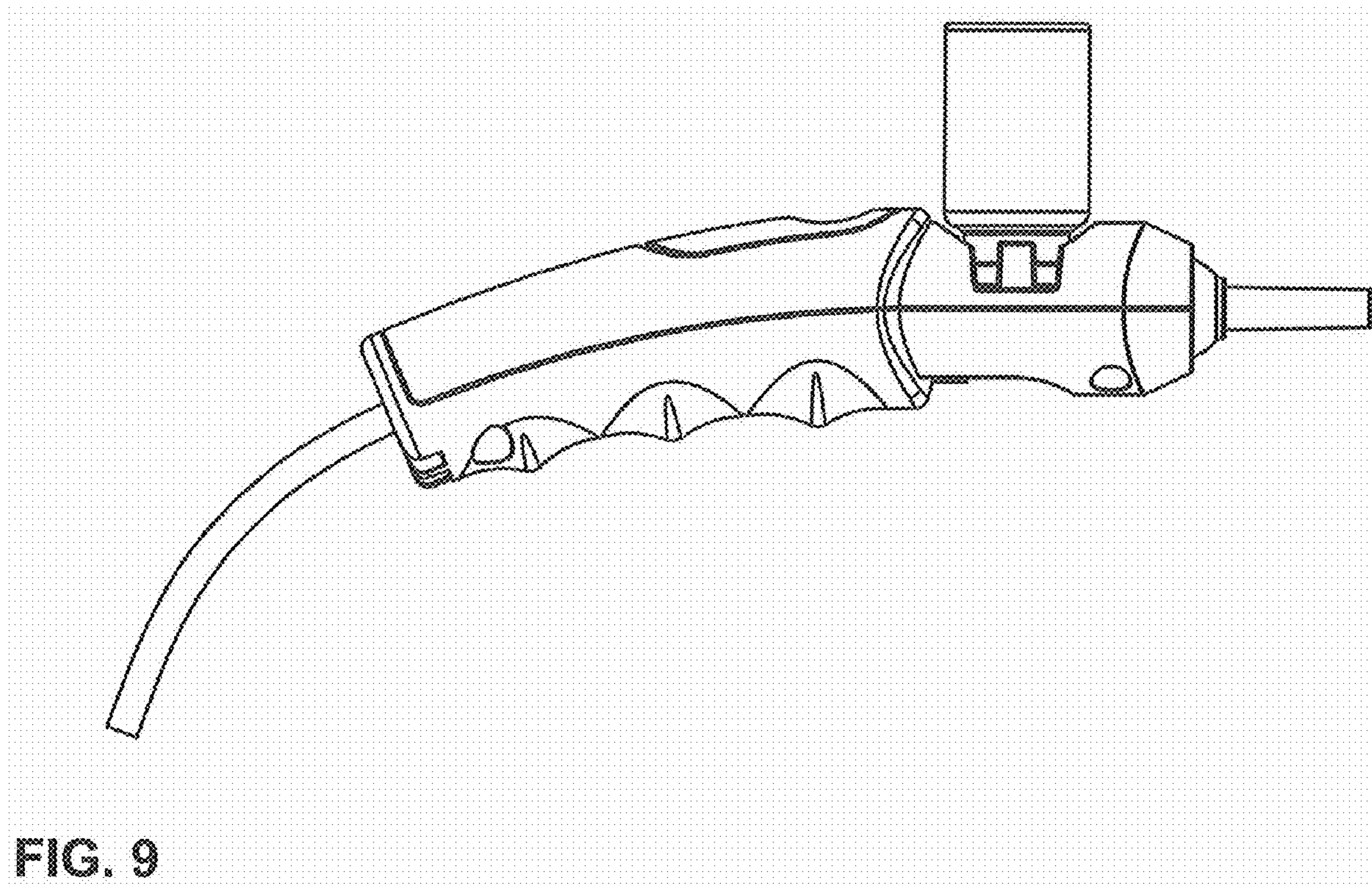


FIG. 9

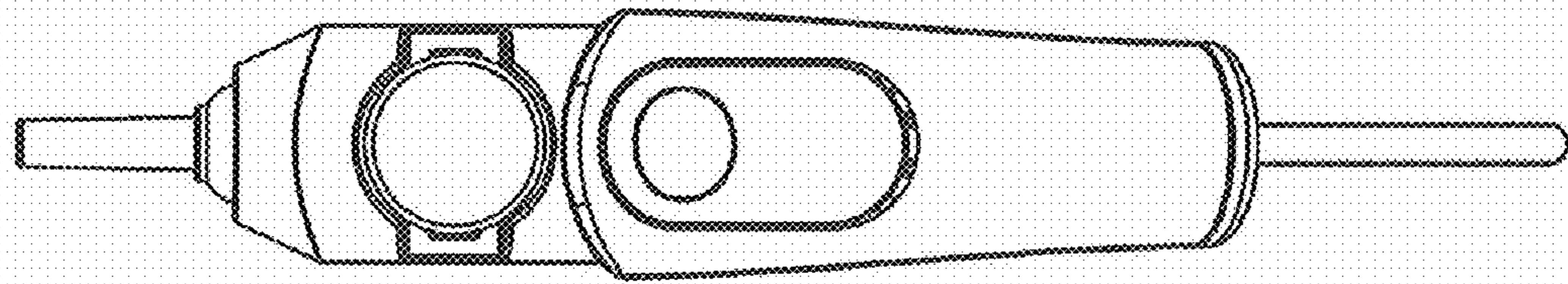


FIG. 10

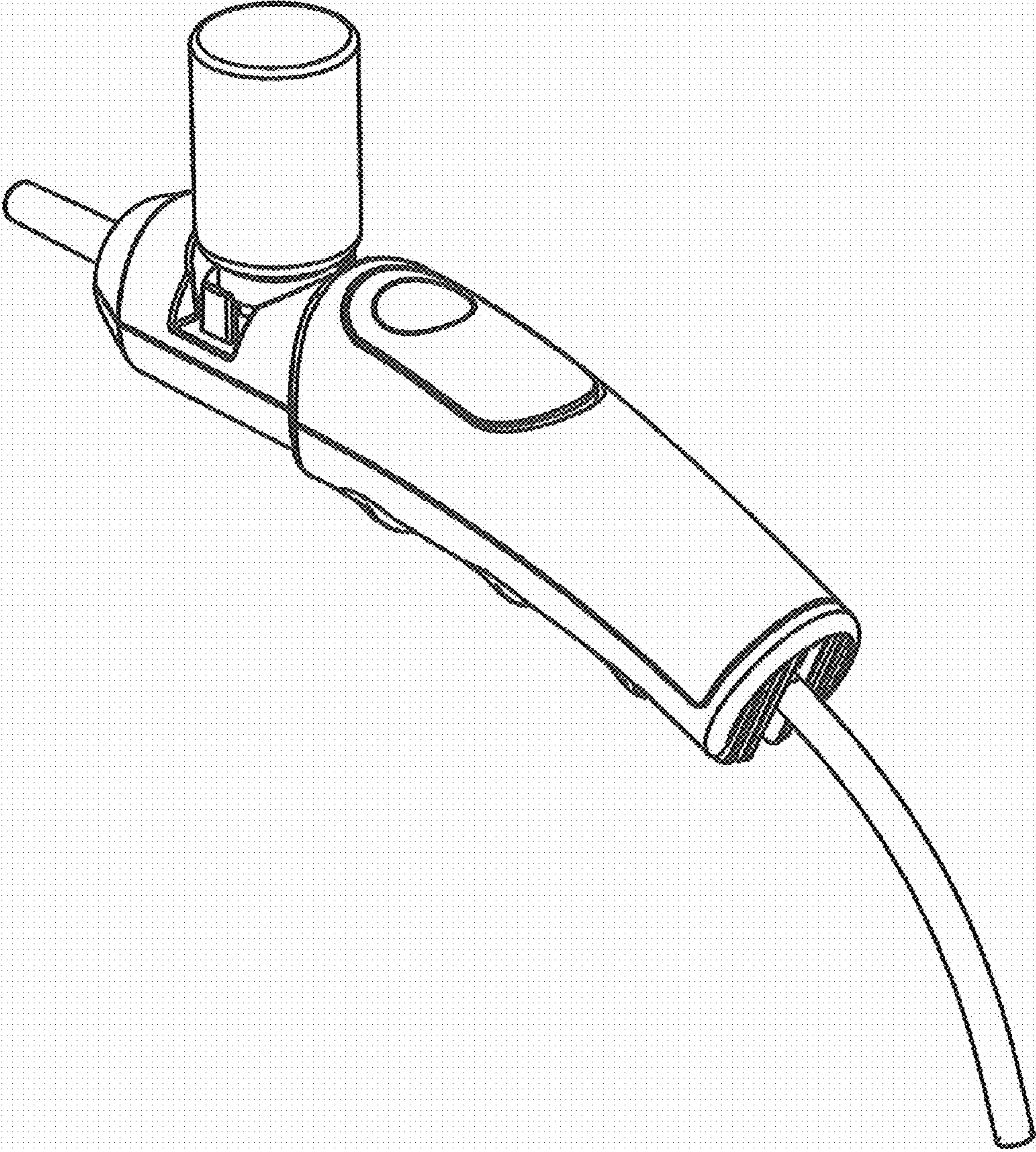


FIG. 11

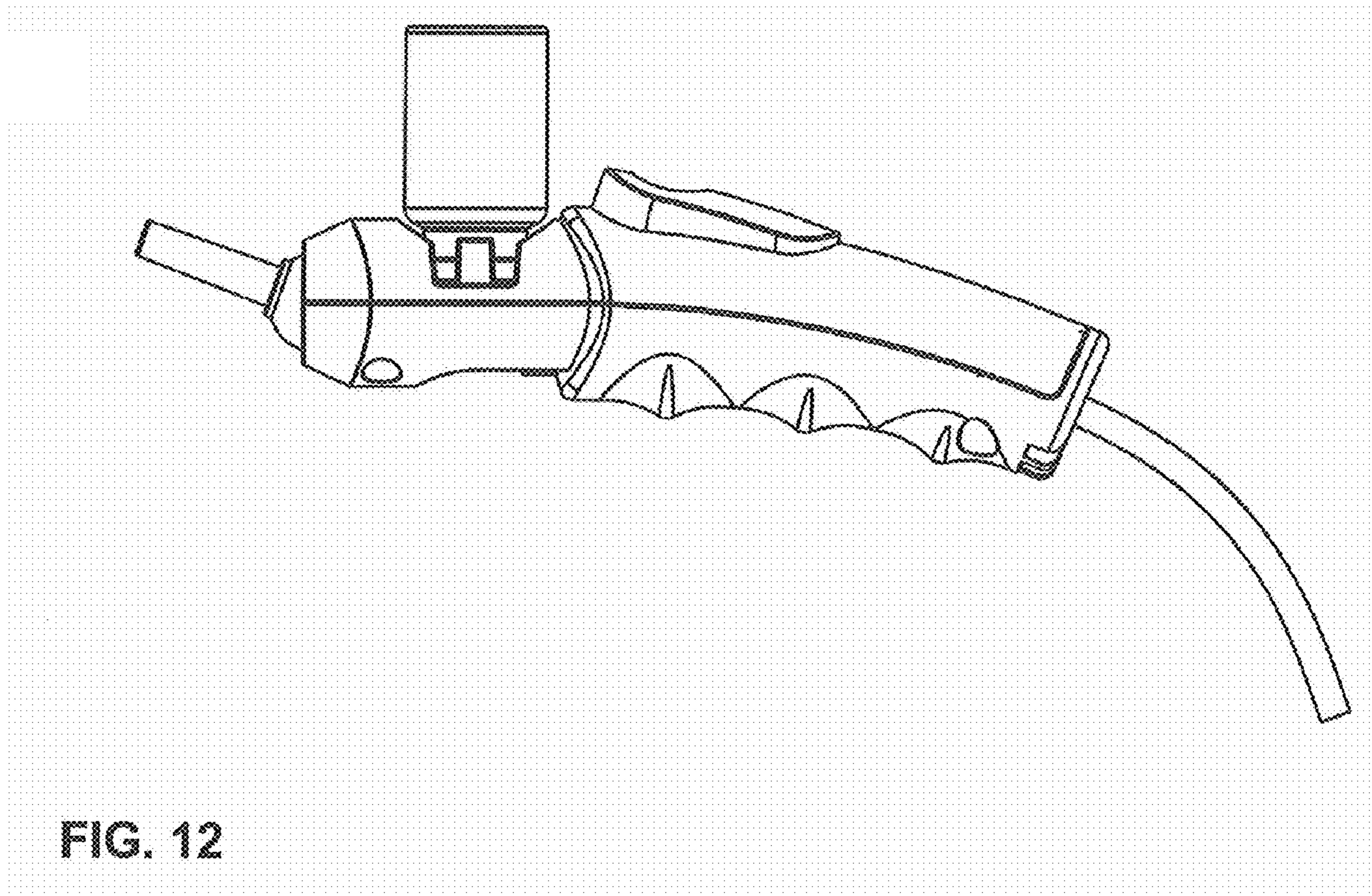


FIG. 12

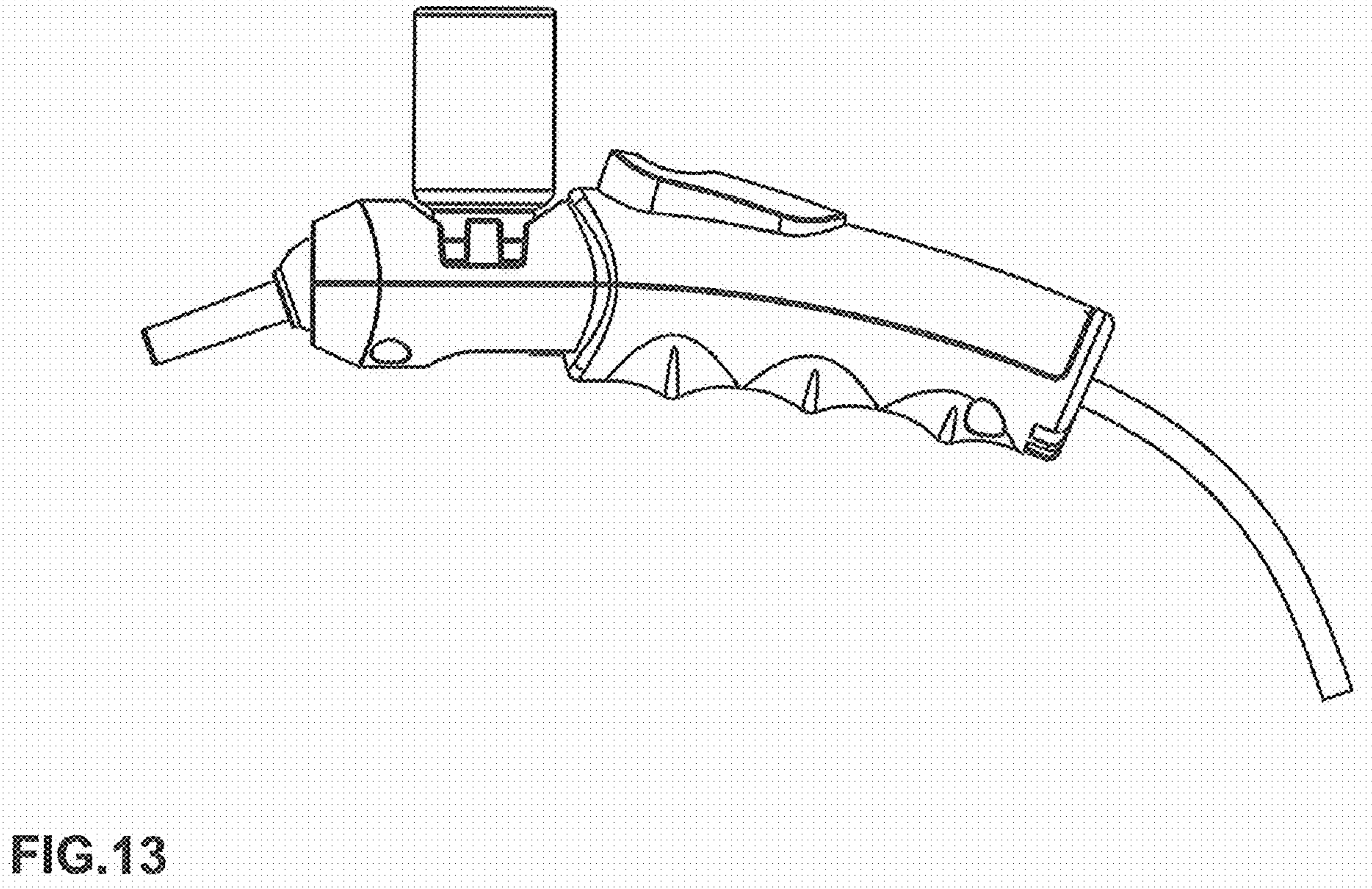


FIG. 13

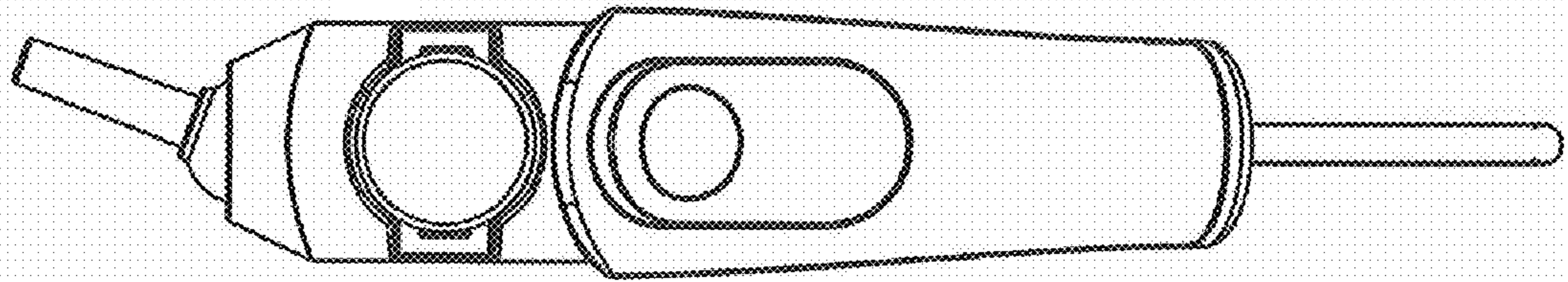


FIG. 14

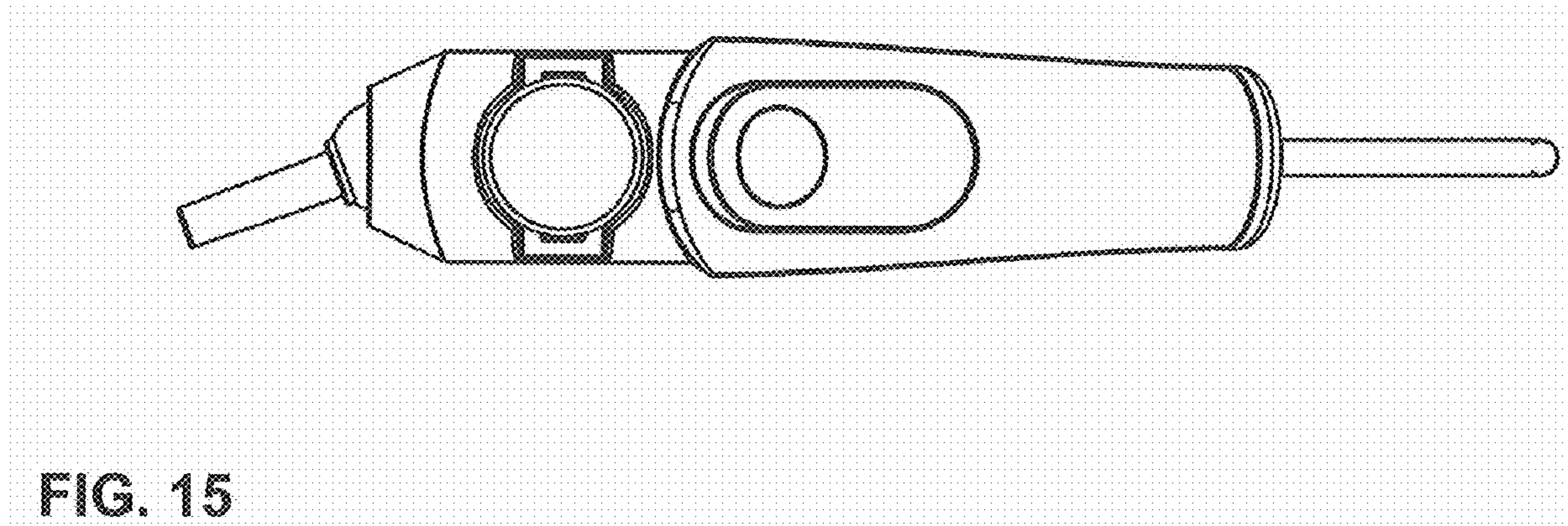


FIG. 15