



US00D628691S

(12) **United States Design Patent**
Sung et al.

(10) **Patent No.:** **US D628,691 S**
(45) **Date of Patent:** **** Dec. 7, 2010**

(54) **DRIP STAND**

(75) Inventors: **Goo Sung**, Beaverton, OR (US); **Arthur Yahsheng Wu**, Portland, OR (US)

(73) Assignee: **Modo, Inc.**, Beaverton, OR (US)

(**) Term: **14 Years**

(21) Appl. No.: **29/333,561**

(22) Filed: **Mar. 11, 2009**

(51) **LOC (9) Cl.** **24-02**

(52) **U.S. Cl.** **D24/128**

(58) **Field of Classification Search** D24/127-128;
248/121, 125.1, 124.1, 129
See application file for complete search history.

(56) **References Cited**

U.S. PATENT DOCUMENTS

2,904,345	A *	9/1959	Bradley	280/47.131
D196,560	S *	10/1963	Lovald	D6/411
D260,816	S *	9/1981	Zissimopoulos et al.	...	D24/128
D372,533	S *	8/1996	Davis	D24/128
D419,674	S *	1/2000	Schattner	D24/128
7,497,407	B2 *	3/2009	Blankenship et al.	248/129
2006/0113434	A1 *	6/2006	Richter	248/121
2007/0034756	A1 *	2/2007	Tsai et al.	248/161
2008/0039796	A1 *	2/2008	Nakajima	604/167.03

* cited by examiner

Primary Examiner—T. Chase Nelson
Assistant Examiner—Eric L Goodman
(74) *Attorney, Agent, or Firm*—Stoel Rives LLP

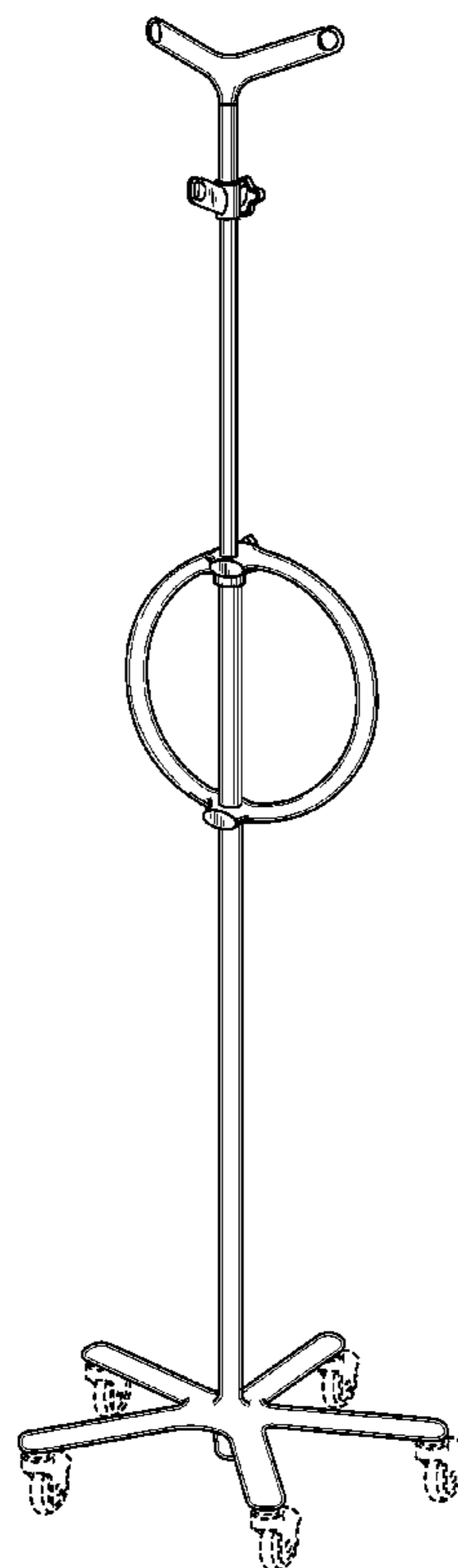
(57) **CLAIM**

We claim the ornamental design for a drip stand, as shown and described.

DESCRIPTION

FIG. 1 is a frontal perspective view of a drip stand;
FIG. 2 is a back perspective view of the drip stand of FIG. 1;
FIG. 3 is a rear elevation view of the drip stand of FIG. 1;
FIG. 4 is a frontal elevation view of the drip stand of FIG. 1;
FIG. 5 is a right side elevation view of the drip stand of FIG. 1;
FIG. 6 is a left side elevation view of the drip stand of FIG. 1
FIG. 7 is a top plan view of the drip stand of FIG. 1; and,
FIG. 8 is a bottom plan view of the drip stand of FIG. 1.
The broken line showing in FIGS. 1 through 8 is for the purpose of illustrating portions of the article that form no part of the claimed design.

1 Claim, 4 Drawing Sheets



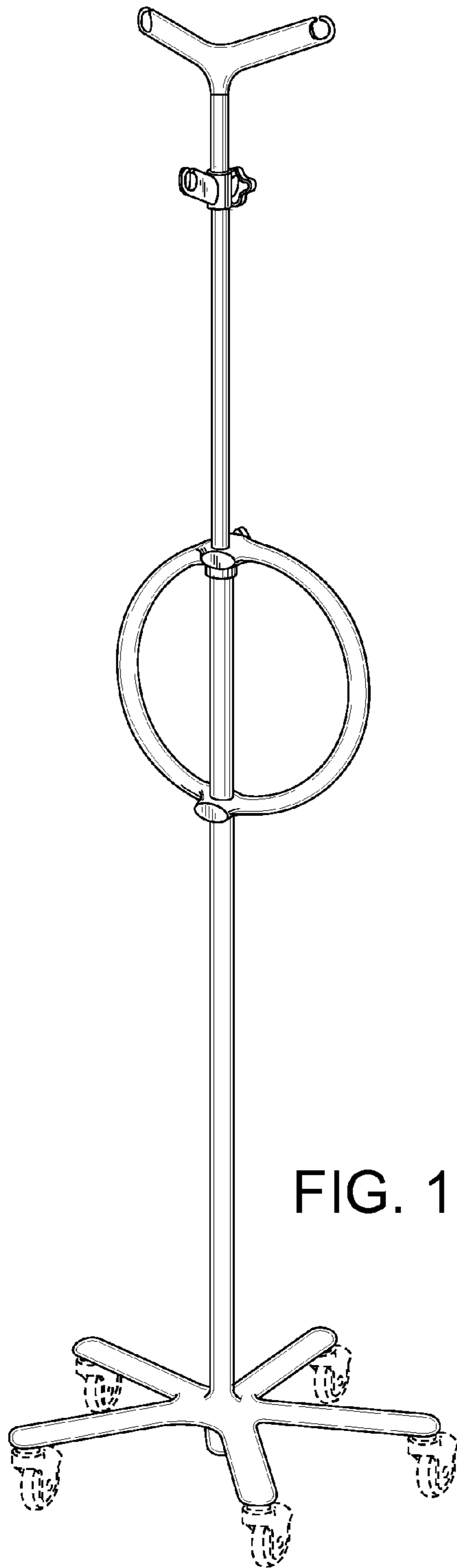


FIG. 1

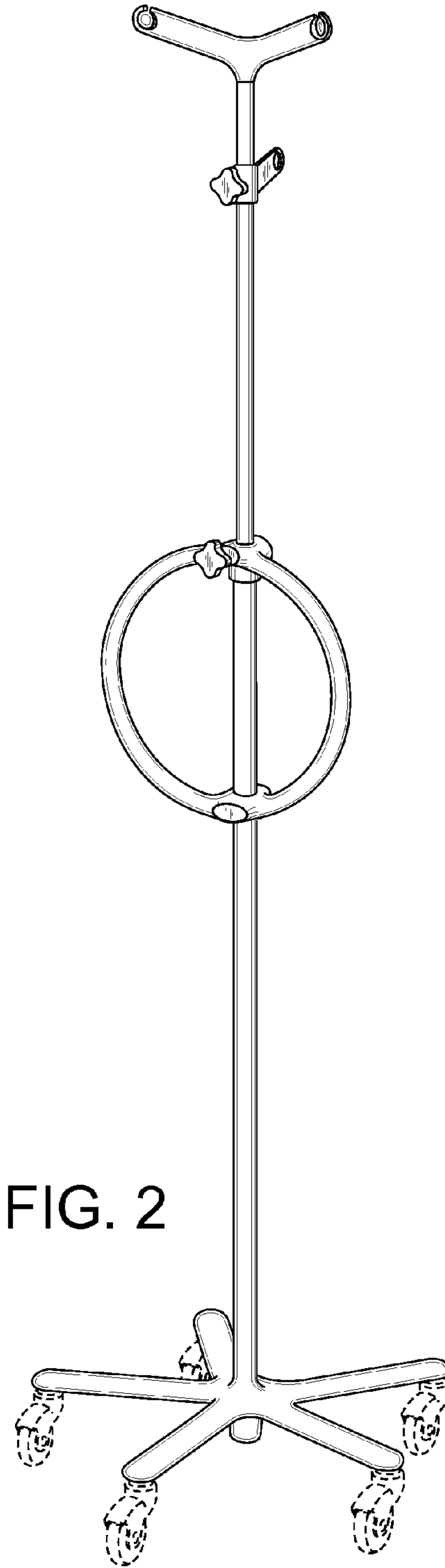


FIG. 2

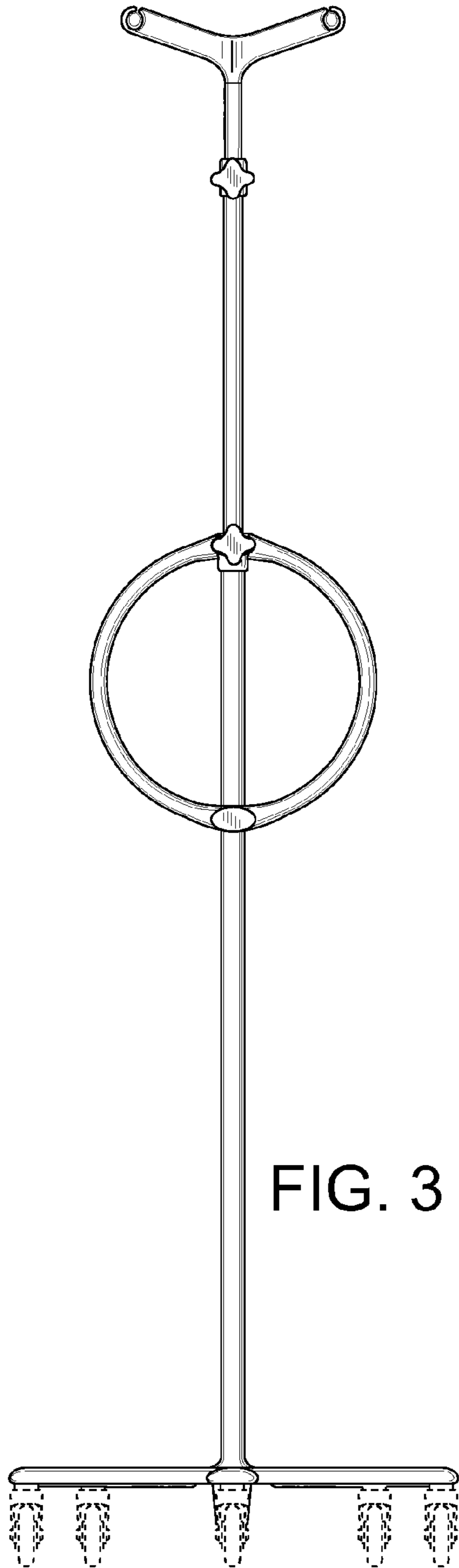


FIG. 3

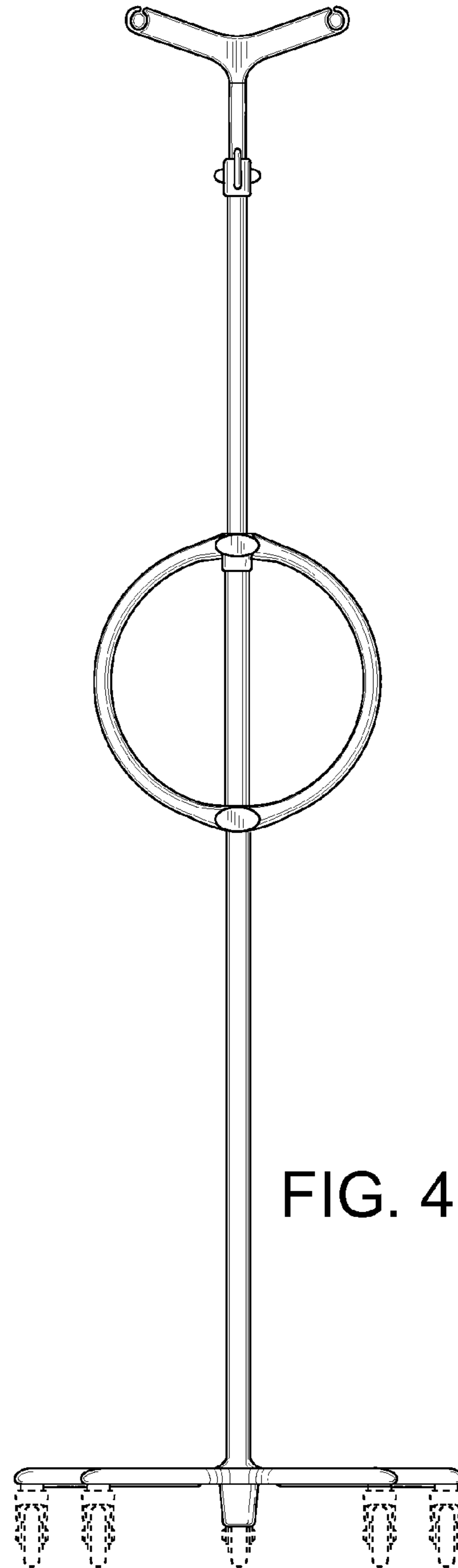
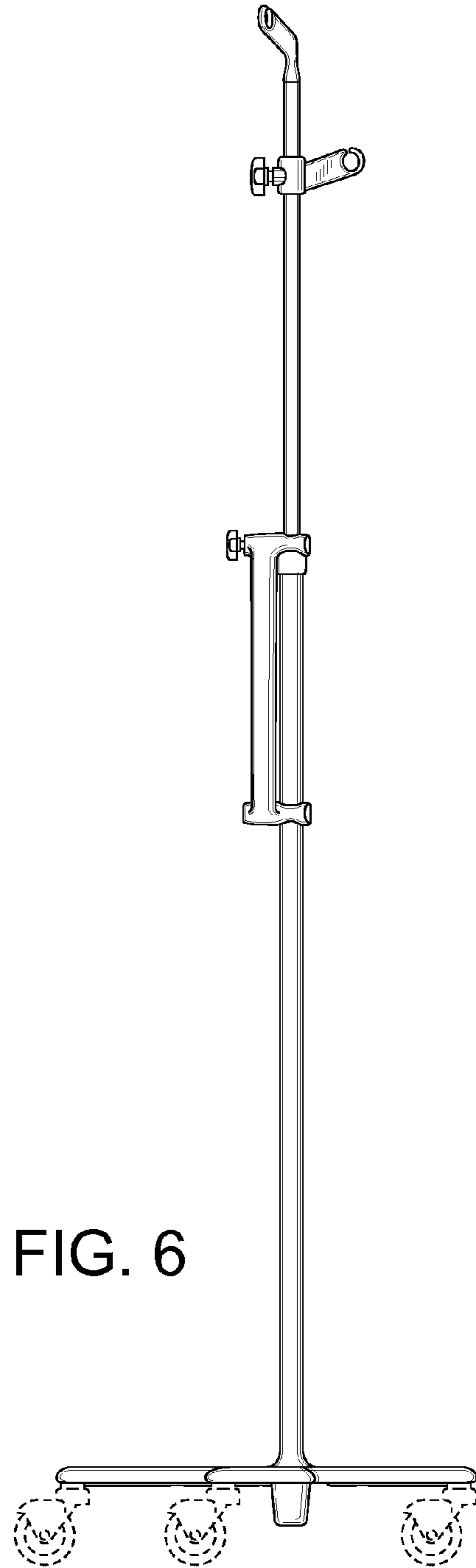
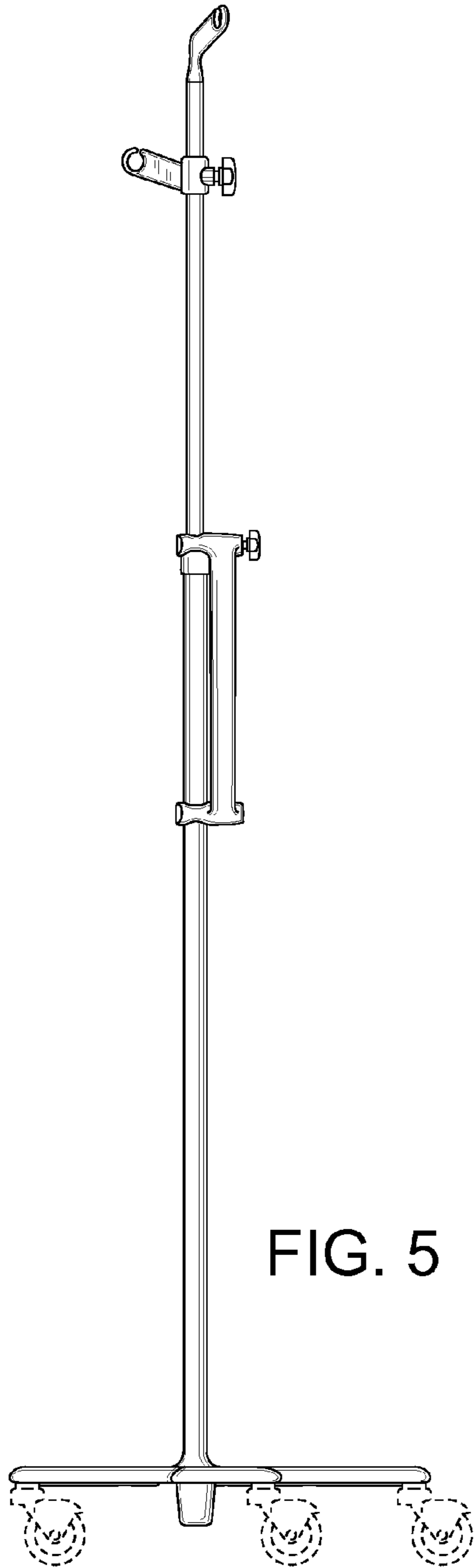


FIG. 4



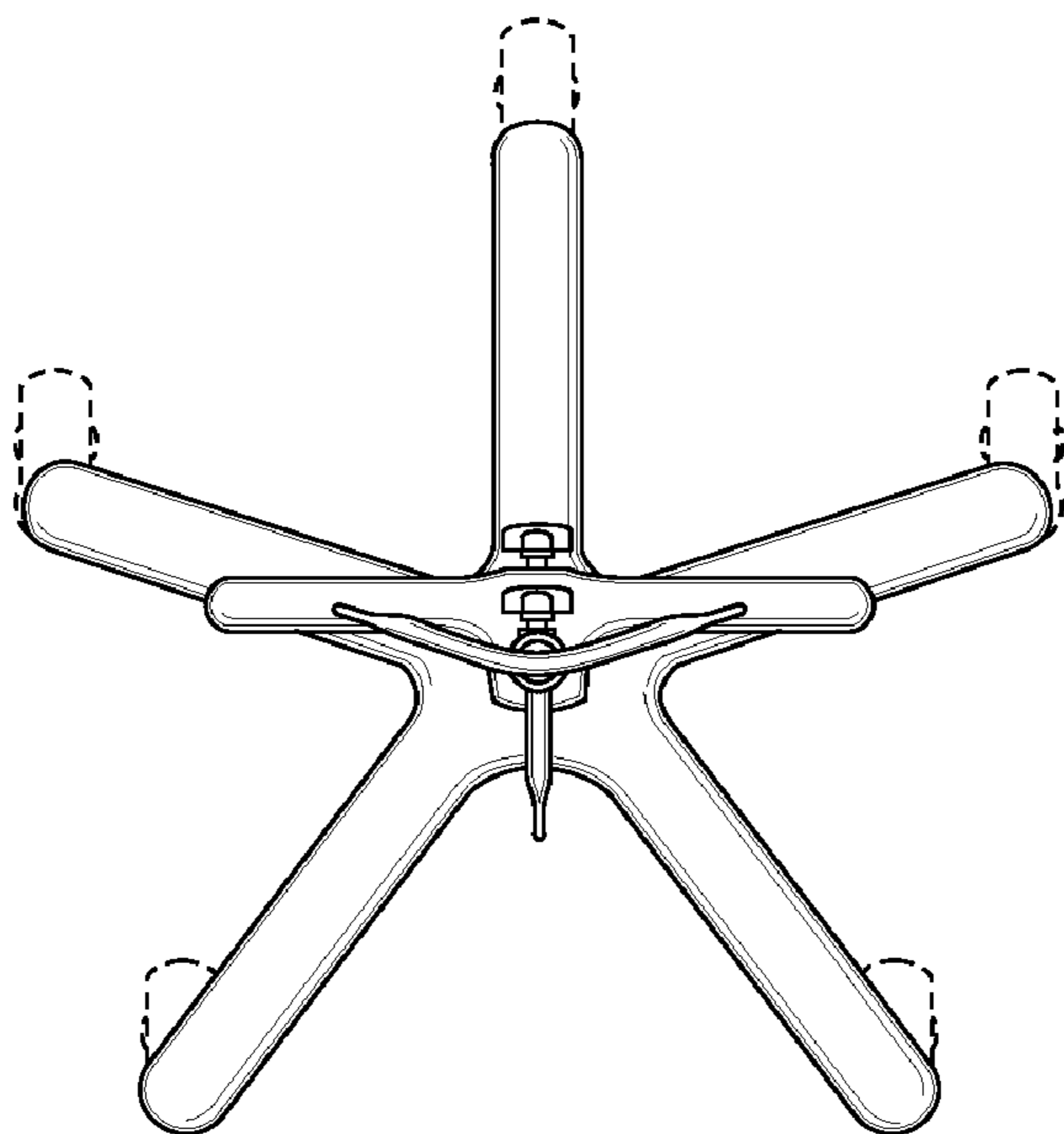


FIG. 7

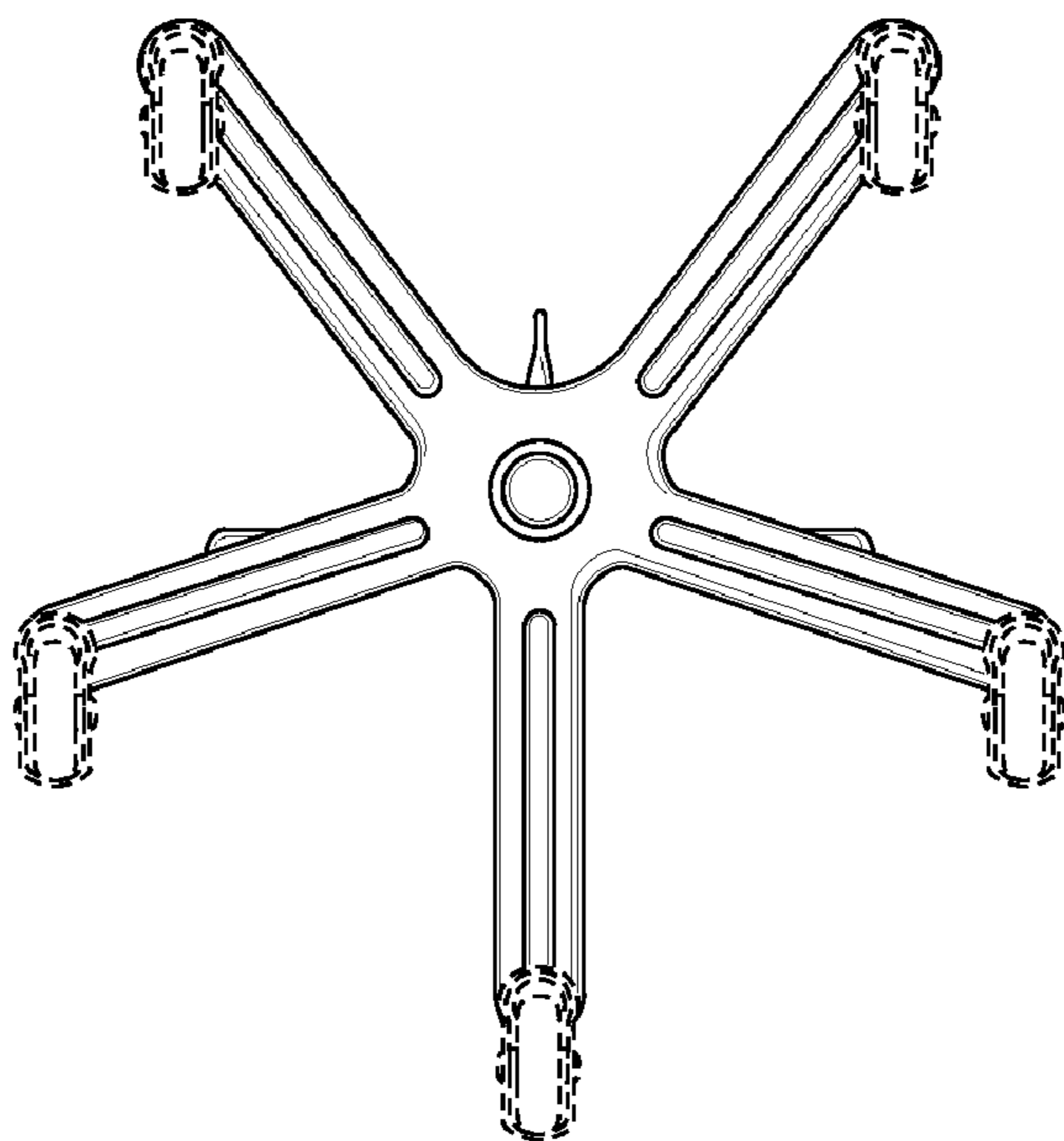


FIG. 8