



US00D628687S

(12) **United States Design Patent**
Yao

(10) **Patent No.:** **US D628,687 S**

(45) **Date of Patent:** **** Dec. 7, 2010**

(54) **CEILING FAN**

(76) **Inventor:** **Chao-chin Yao**, 8F.-2, No. 13, Lane 238,
Spring Rd., Beitun District, Taichung
City (TW) 406

(**) **Term:** **14 Years**

(21) **Appl. No.:** **29/361,469**

(22) **Filed:** **May 11, 2010**

(51) **LOC (9) Cl.** **23-04**

(52) **U.S. Cl.** **D23/377**

(58) **Field of Classification Search** D23/377,
D23/379, 385, 411, 413; 416/5

See application file for complete search history.

(56) **References Cited**

U.S. PATENT DOCUMENTS

D435,643 S	*	12/2000	Williams	D23/377
D516,201 S	*	2/2006	Badarello	D23/411
D621,496 S	*	8/2010	Chen	D23/377

* cited by examiner

Primary Examiner—Lisa P Lichtenstein

(74) *Attorney, Agent, or Firm*—Wang Law Firm, Inc.; Li K. Wang

(57) **CLAIM**

The ornamental design for a ceiling fan, as shown and described.

DESCRIPTION

FIG. 1 is a perspective view of a ceiling fan showing any new design;

FIG. 2 is a front elevational view thereof;

FIG. 3 is a rear elevational view thereof;

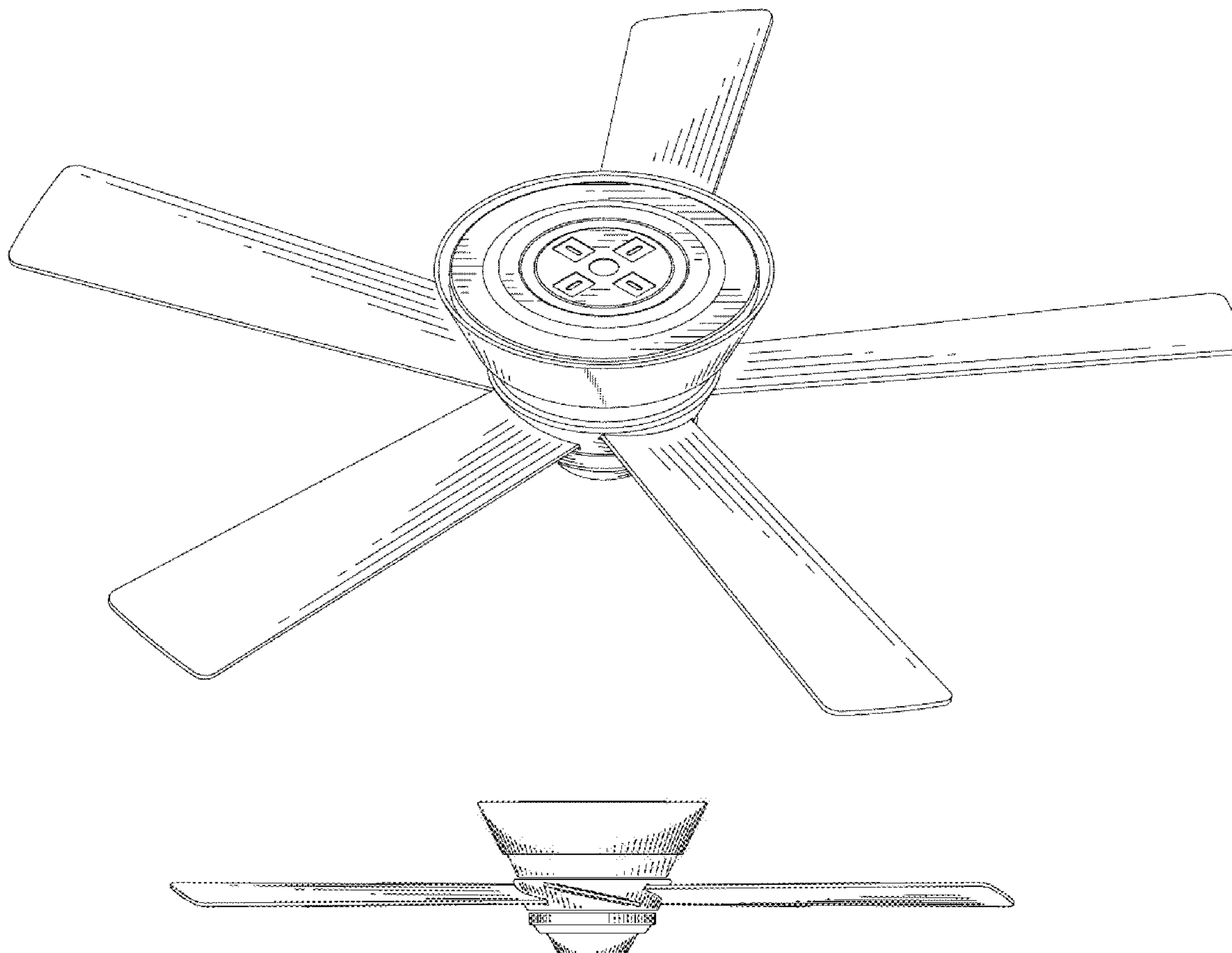
FIG. 4 is a left elevational view thereof;

FIG. 5 is a right elevational view thereof;

FIG. 6 is a top plan view thereof; and,

FIG. 7 is a bottom plan view thereof.

1 Claim, 5 Drawing Sheets



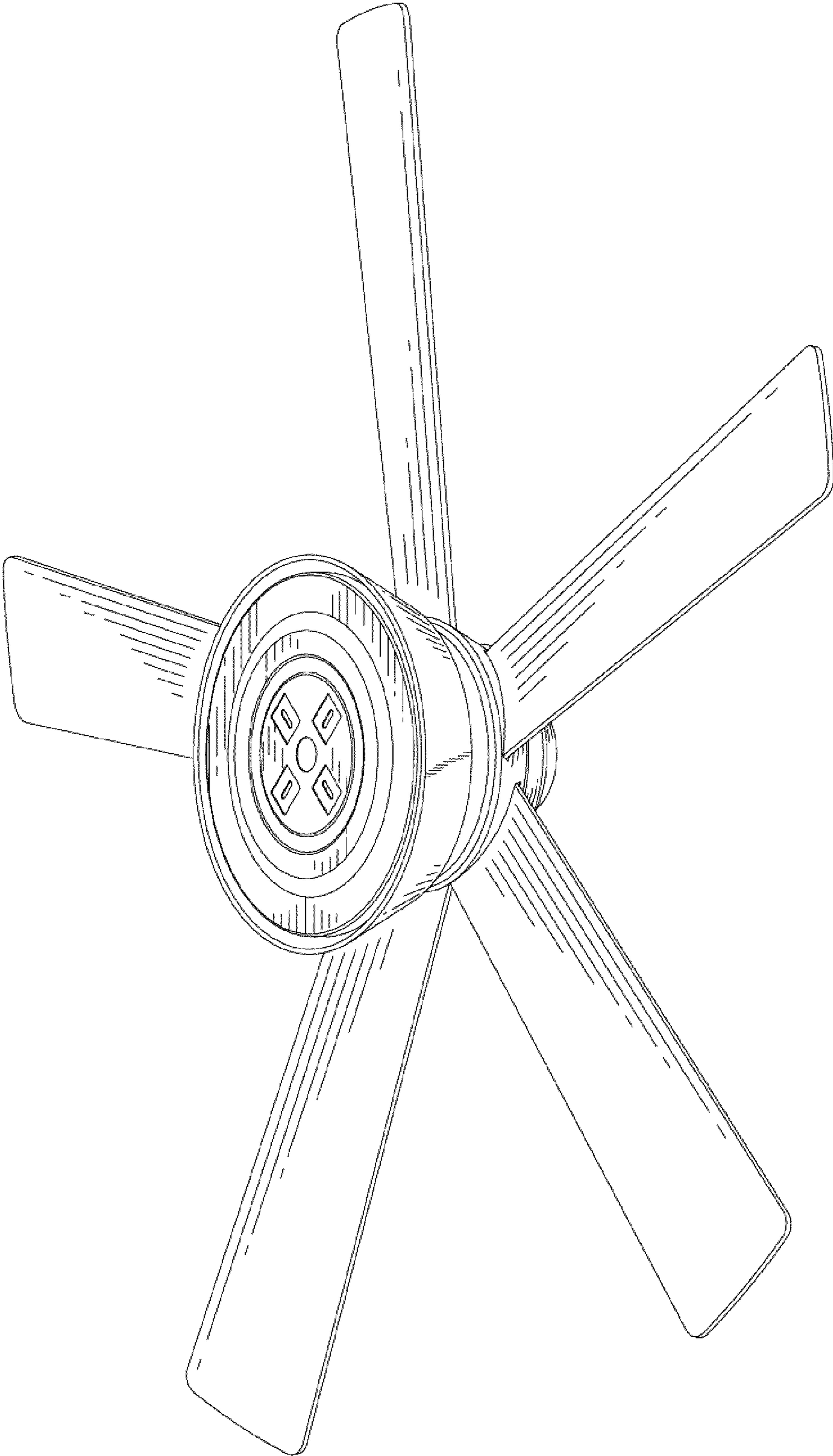


FIG. 1

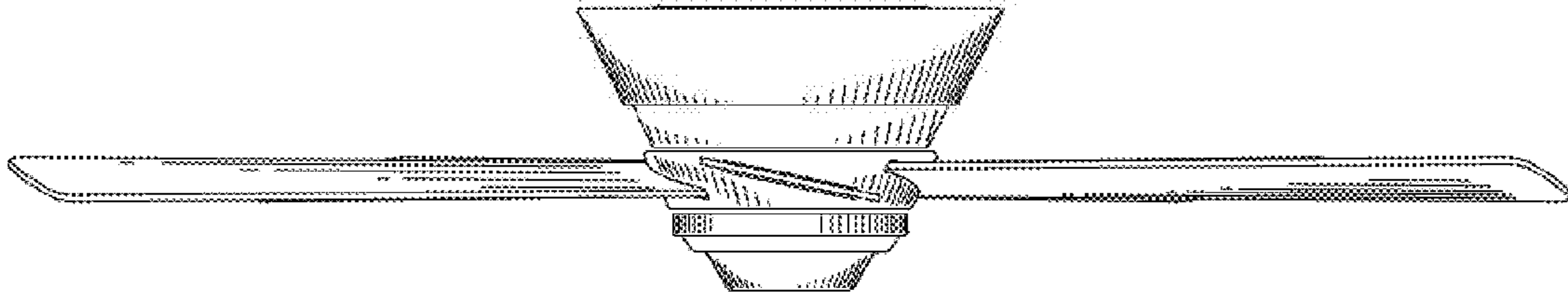


FIG. 2

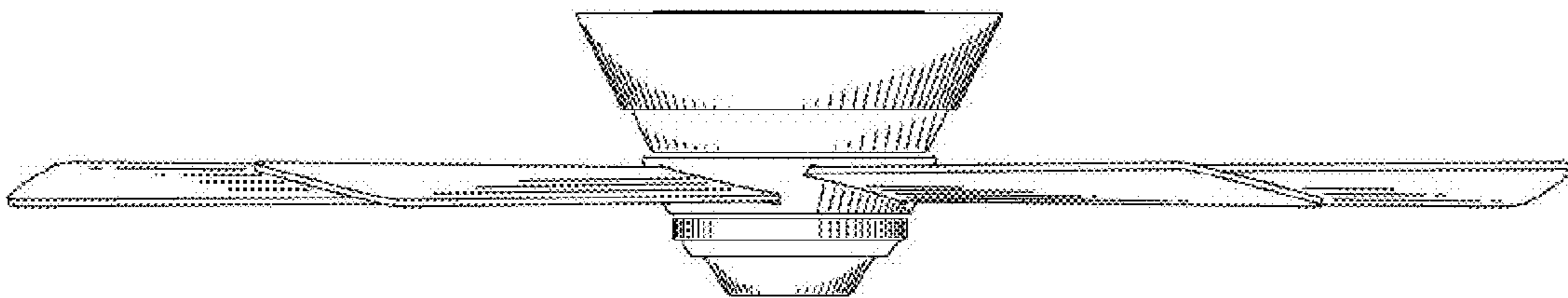


FIG. 3

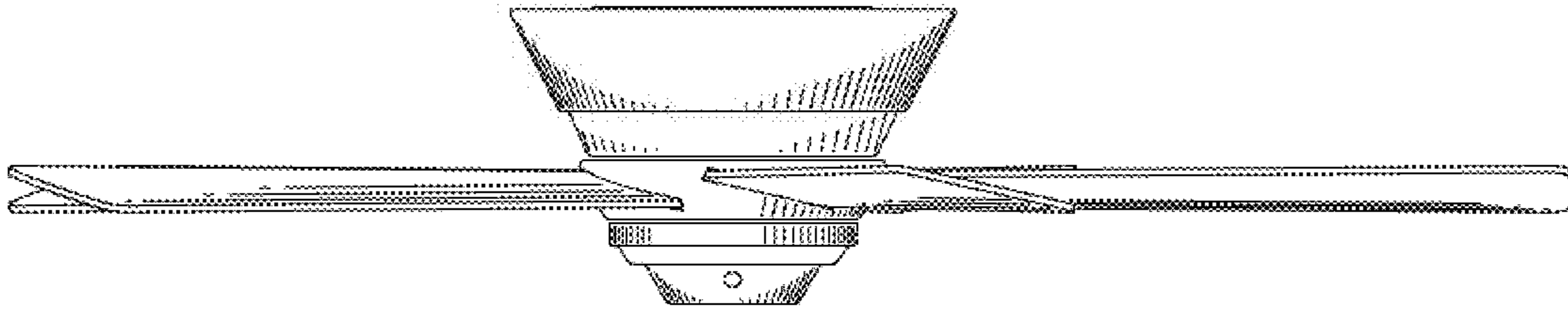


FIG. 4

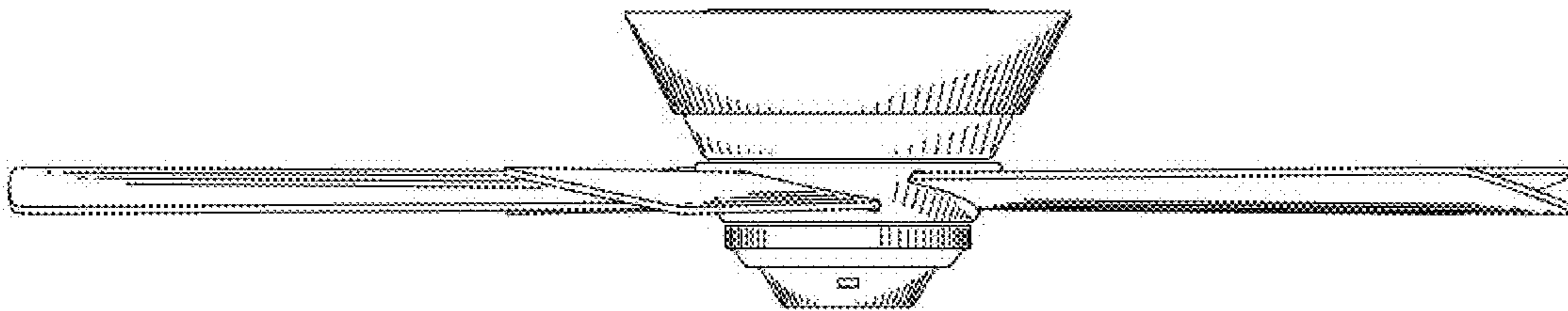


FIG. 5

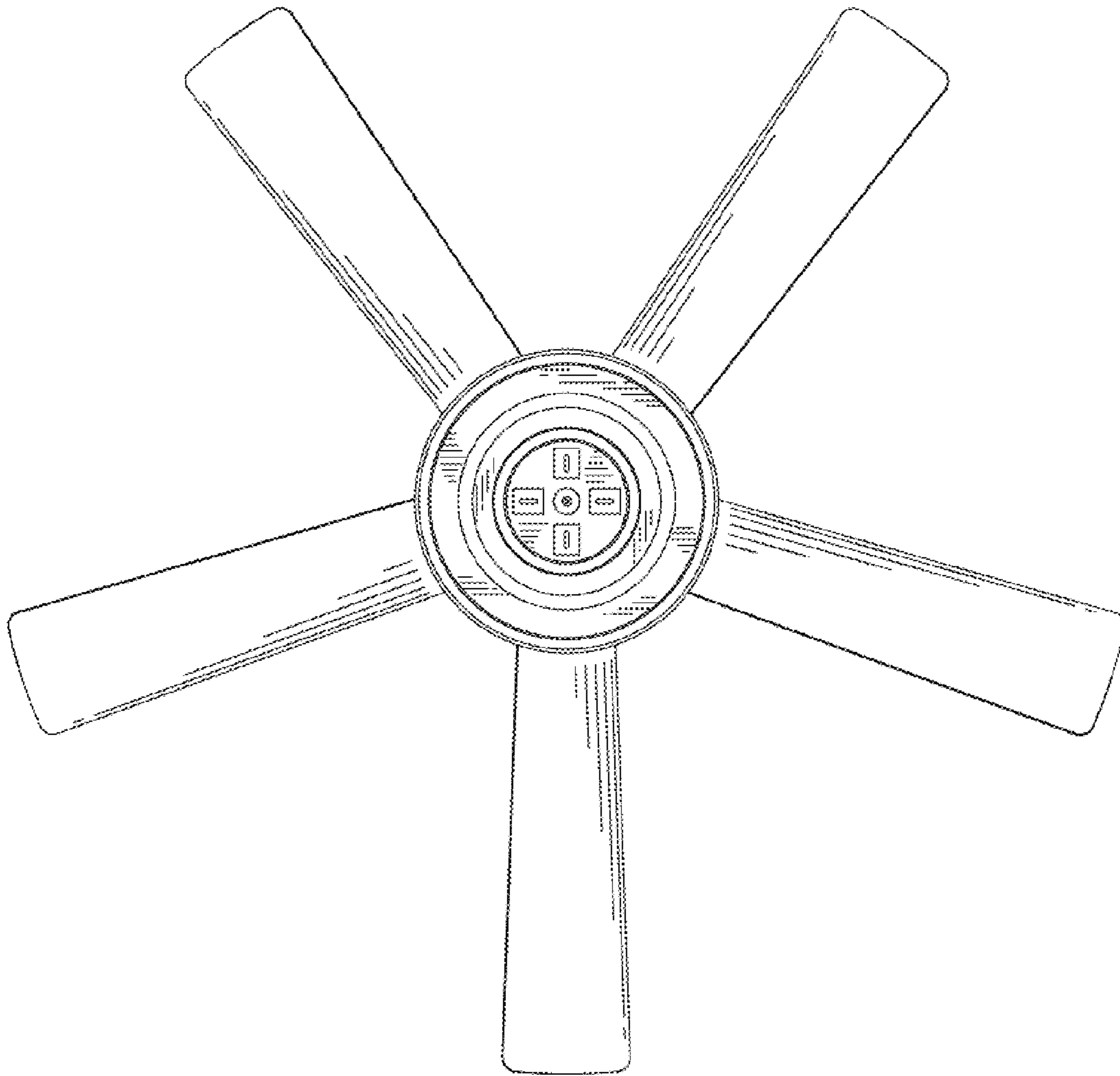


FIG. 6

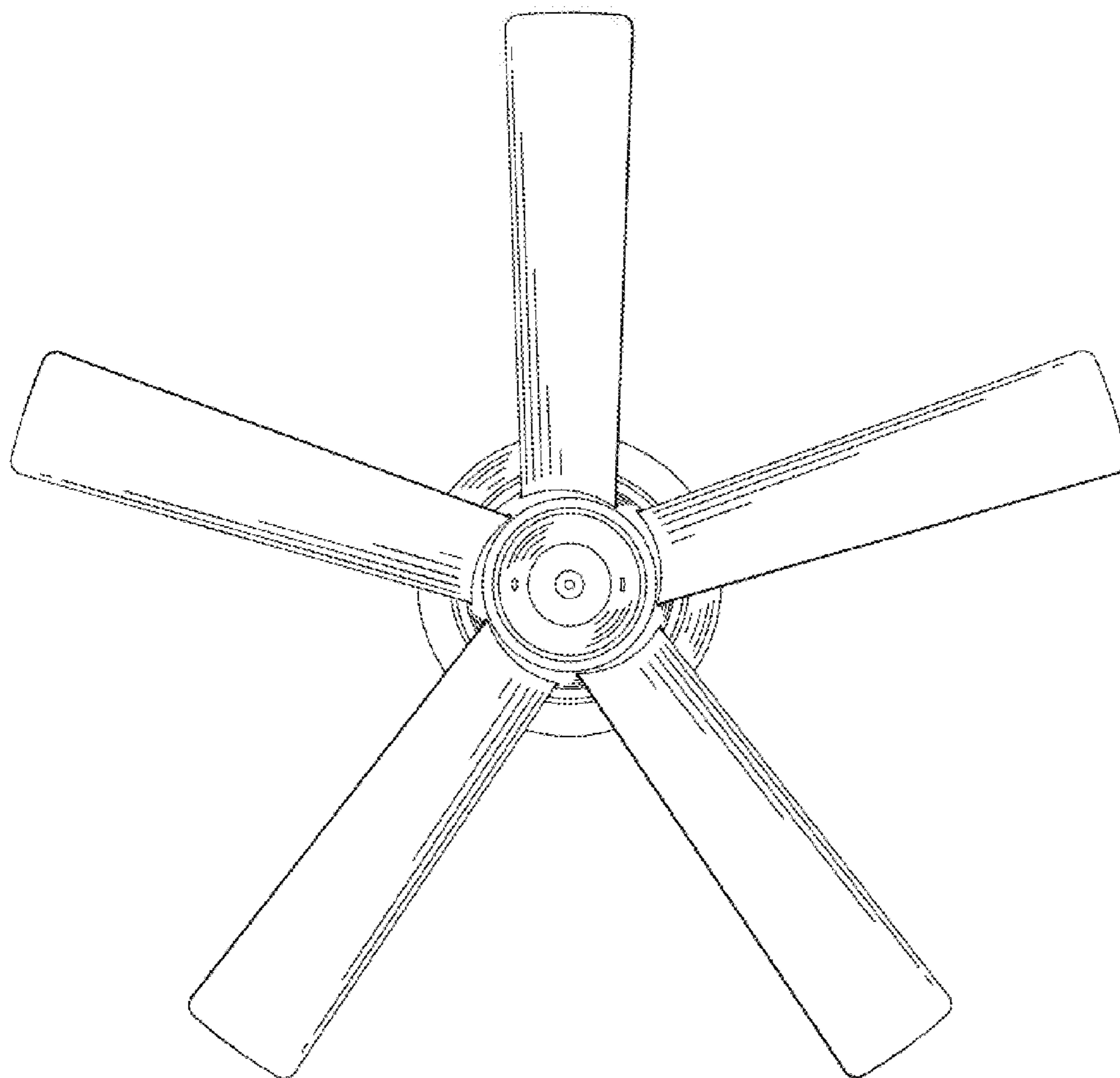


FIG. 7