



US00D628679S

(12) **United States Design Patent**  
**Holmgren**

(10) **Patent No.:** **US D628,679 S**

(45) **Date of Patent:** **\*\* Dec. 7, 2010**

(54) **VALVE HANDLE**

(75) Inventor: **Bjorn Holmgren**, Ulricehamn (SE)

(73) Assignee: **Tour & Andersson AB**, Ljung (SE)

(\*\*) Term: **14 Years**

(21) Appl. No.: **29/343,769**

(22) Filed: **Sep. 18, 2009**

(30) **Foreign Application Priority Data**

Mar. 27, 2009 (EM) ..... 1113369-0001

(51) **LOC (9) Cl.** ..... **23-01**

(52) **U.S. Cl.** ..... **D23/252**

(58) **Field of Classification Search** ..... D23/238-243,  
D23/250, 252, 233, 235; 4/676; D8/300,  
D8/307-308; 137/801; 16/110.1

See application file for complete search history.

(56) **References Cited**

**U.S. PATENT DOCUMENTS**

D462,111 S \* 8/2002 Turnau et al. .... D23/252

D493,870 S \* 8/2004 Croft ..... D23/250

\* cited by examiner

*Primary Examiner*—Robert A Delehanty

(74) *Attorney, Agent, or Firm*—Davis & Bujold, P.L.L.C.

(57) **CLAIM**

I claim the ornamental design for a valve handle, as shown.

**DESCRIPTION**

FIG. 1 is a top, front, left perspective view of the valve handle embodying my new design;

FIG. 2 is a front, bottom, right side perspective view thereof;

FIG. 3 is a top plan view thereof;

FIG. 4 is a bottom plan view thereof;

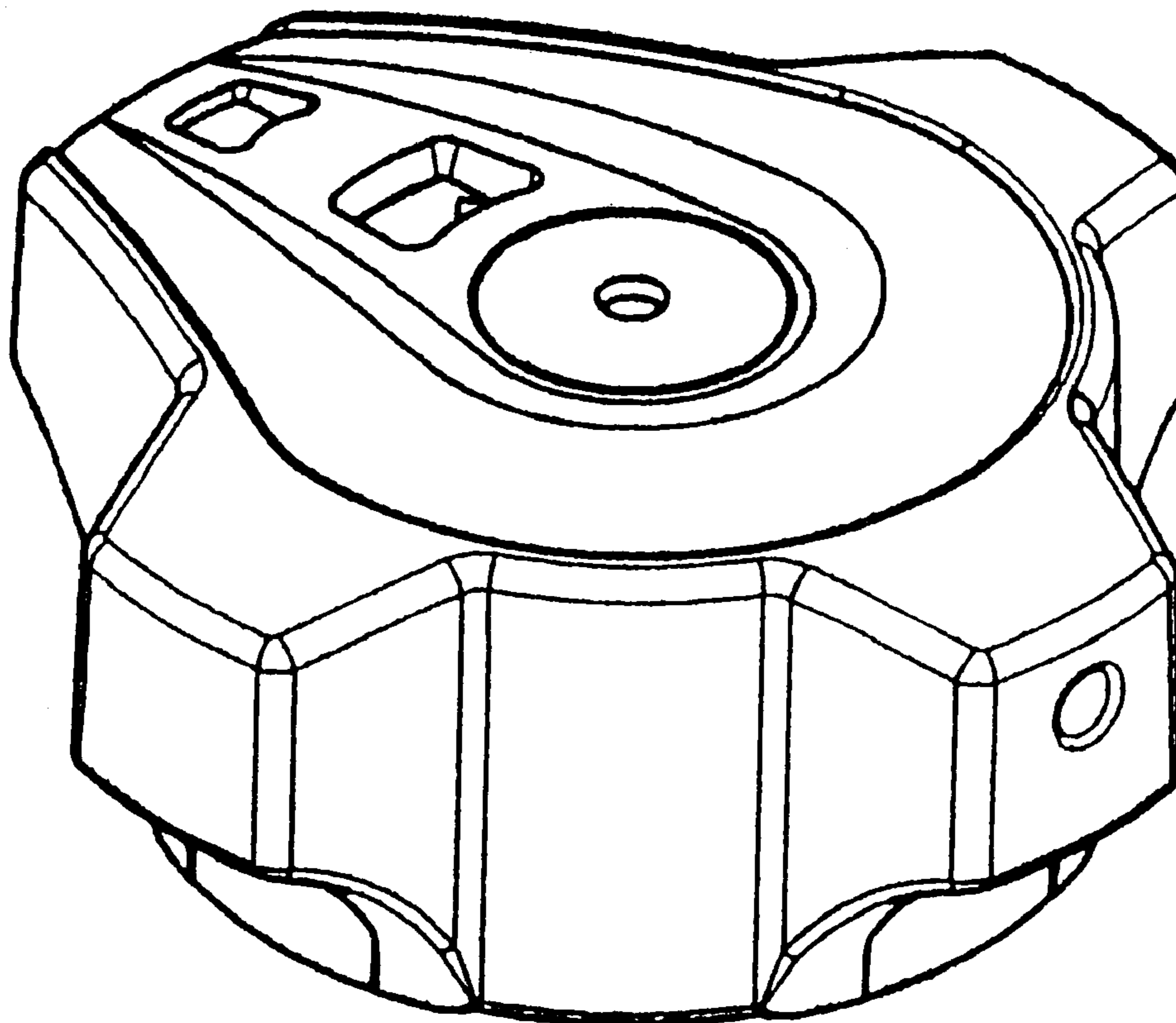
FIG. 5 is a front elevational view thereof;

FIG. 6 is a rear elevational view thereof; and,

FIG. 7 is left side elevational view thereof, with the right side elevational view being a mirror image thereof.

The broken lines showing portions of the handle are included for the purpose of illustrating a portion of the handle that forms no part of the claimed design.

**1 Claim, 7 Drawing Sheets**



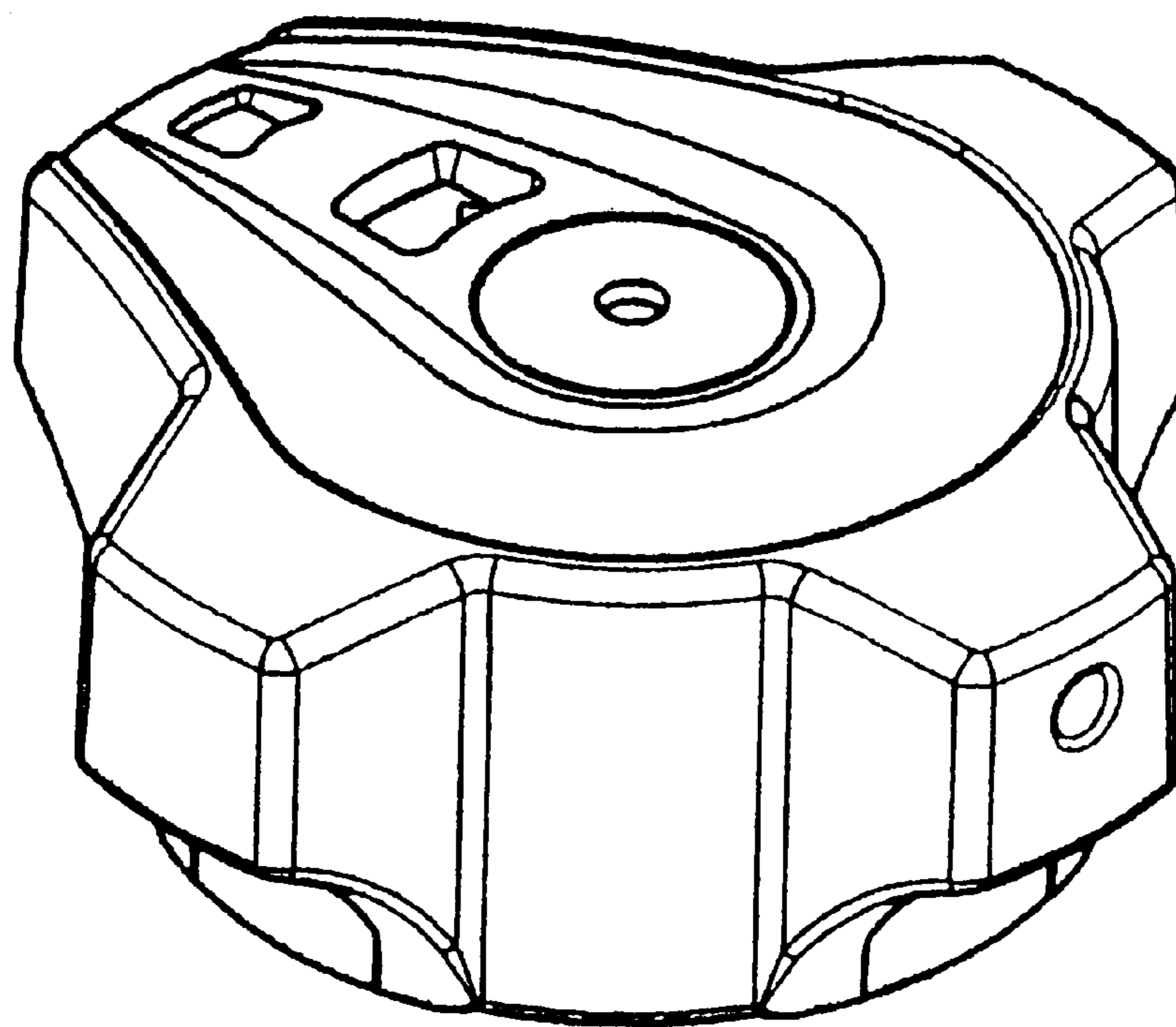


FIG. 1

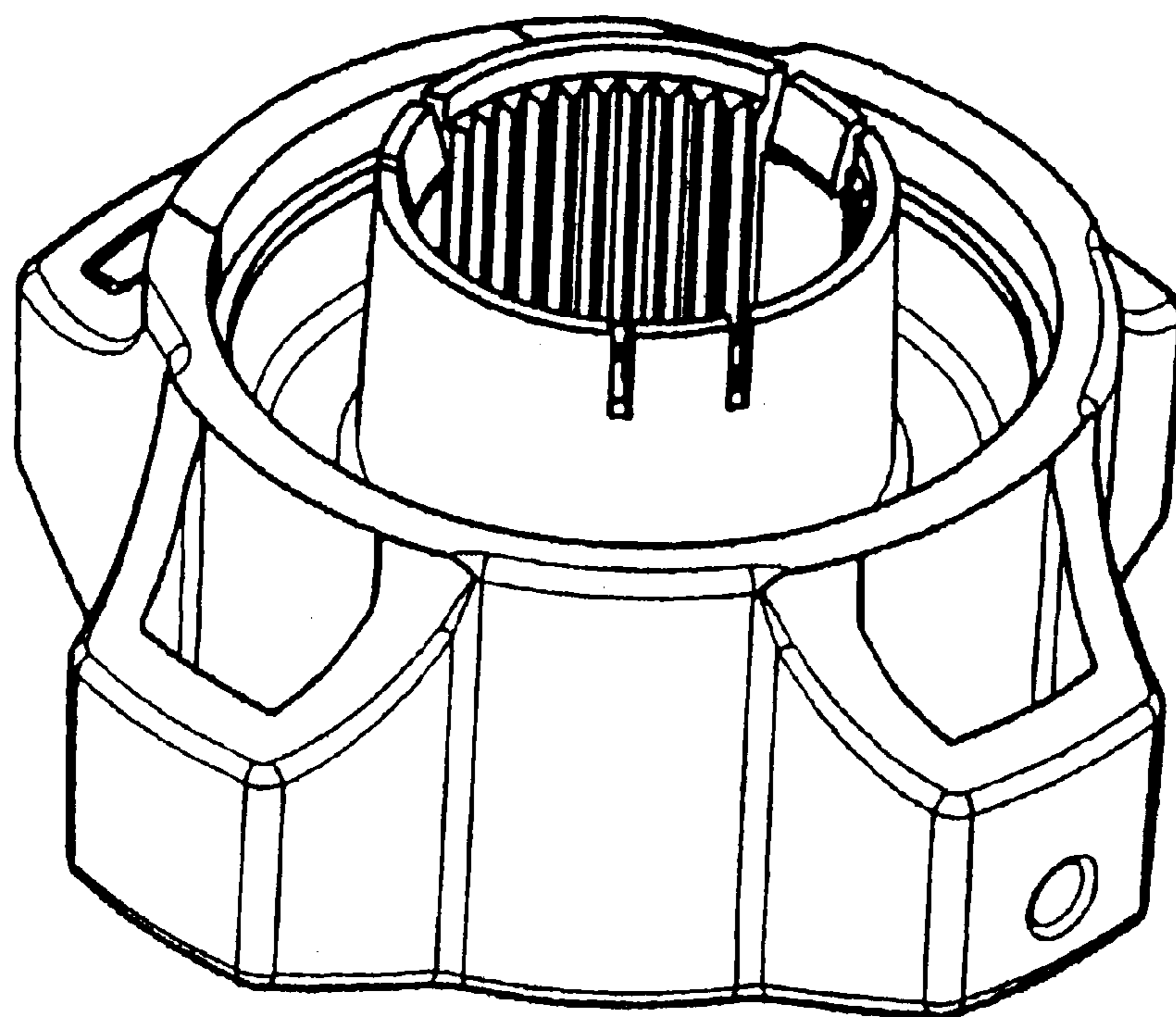


FIG. 2

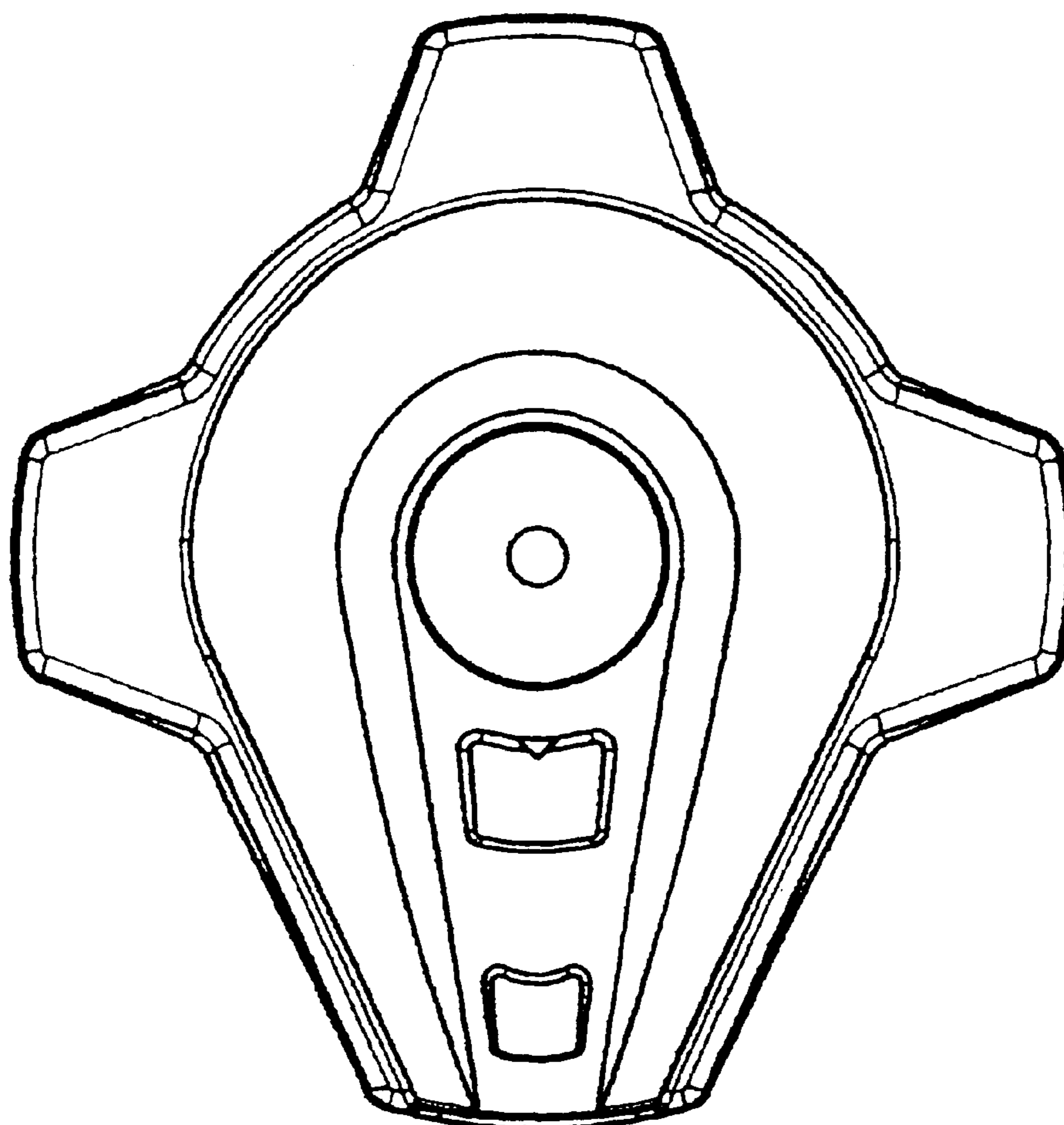


FIG. 3

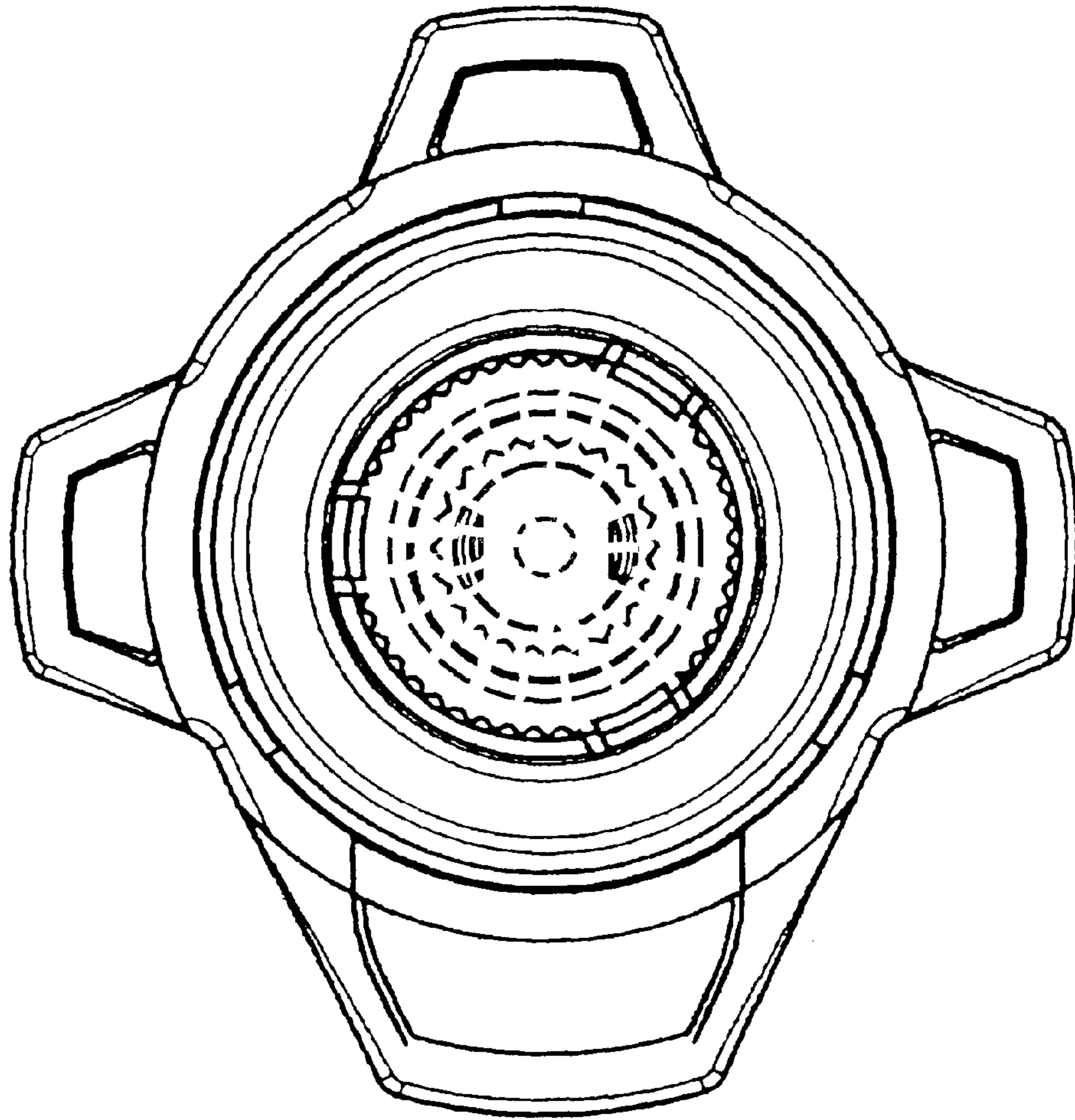


FIG. 4

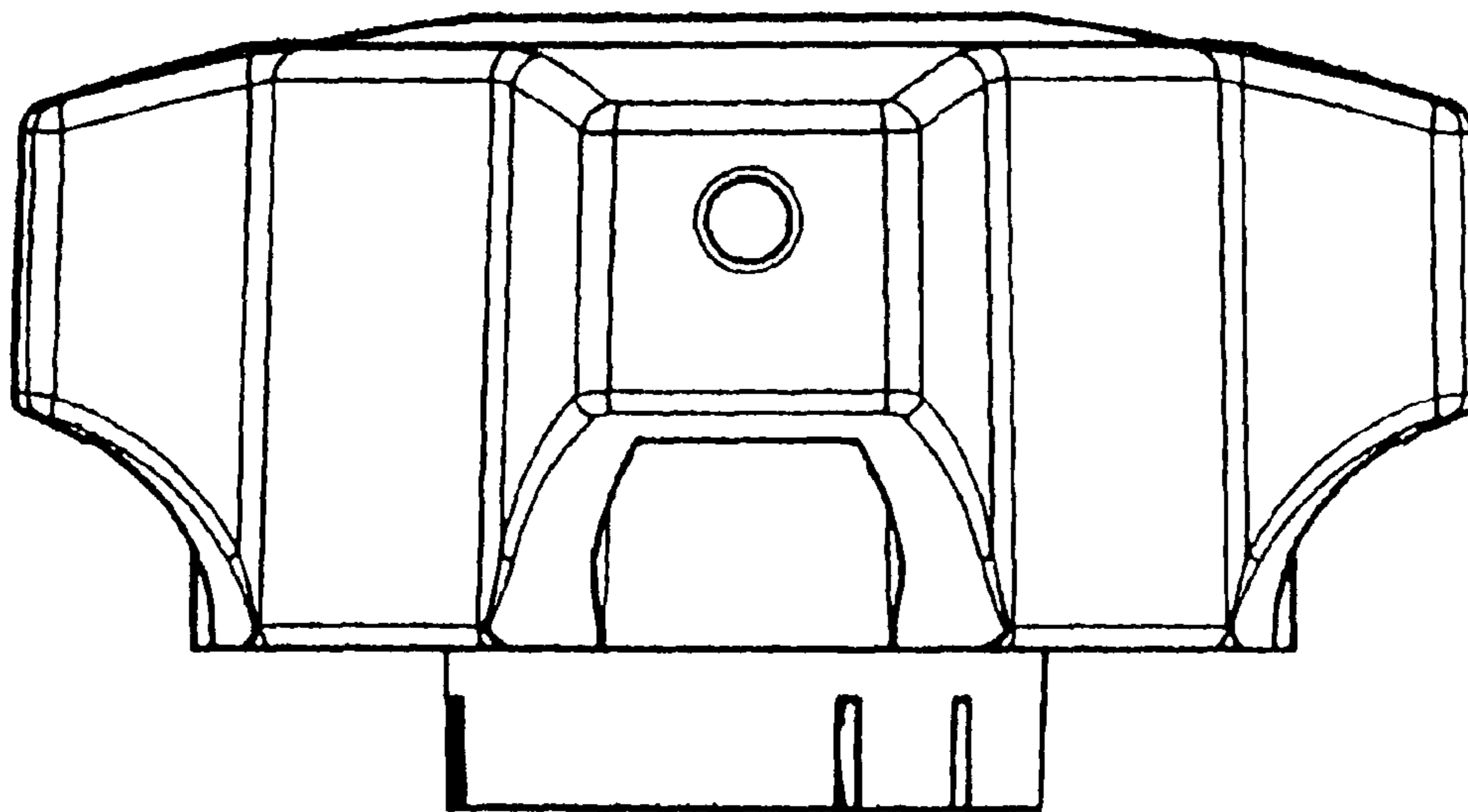


FIG. 5

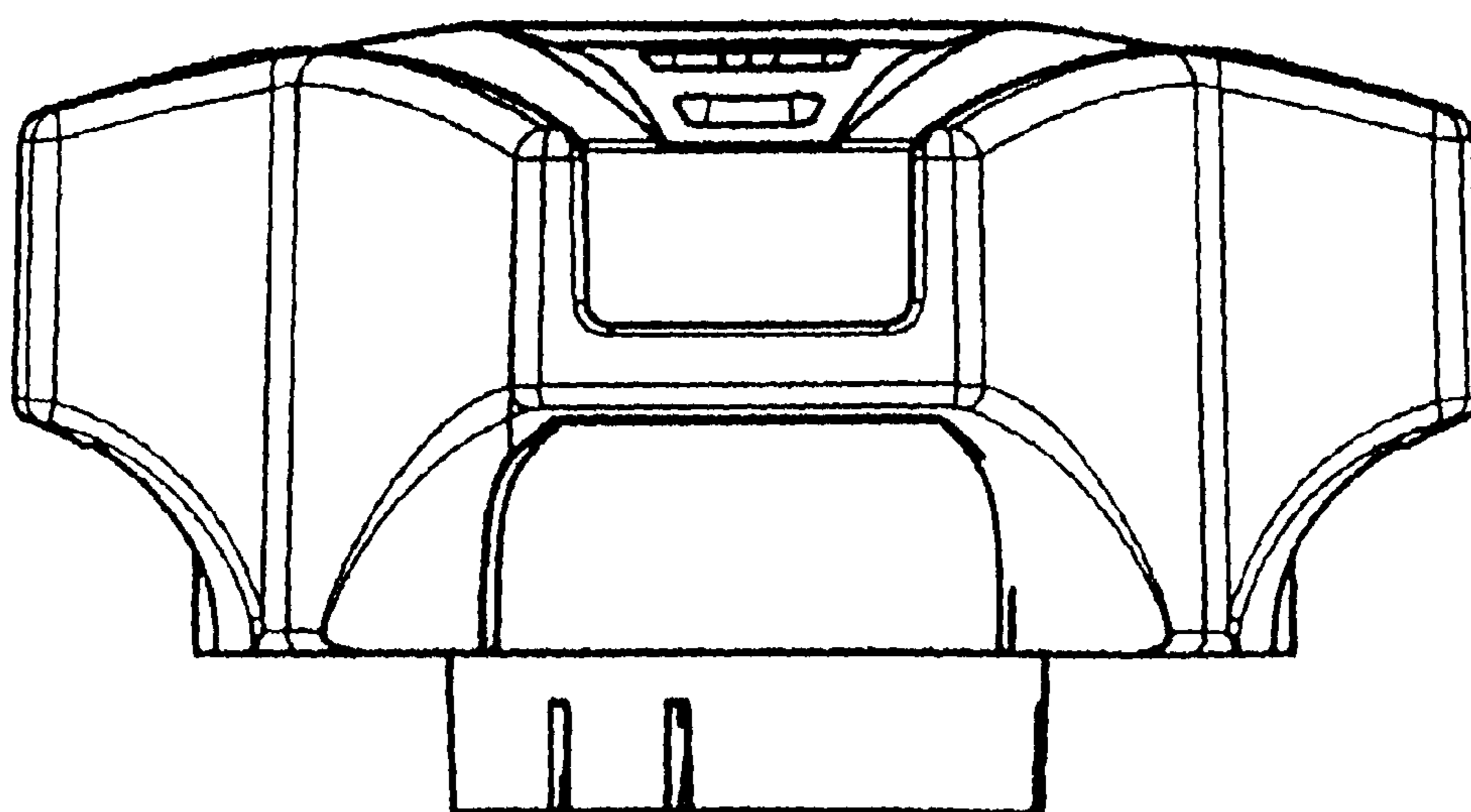


FIG. 6

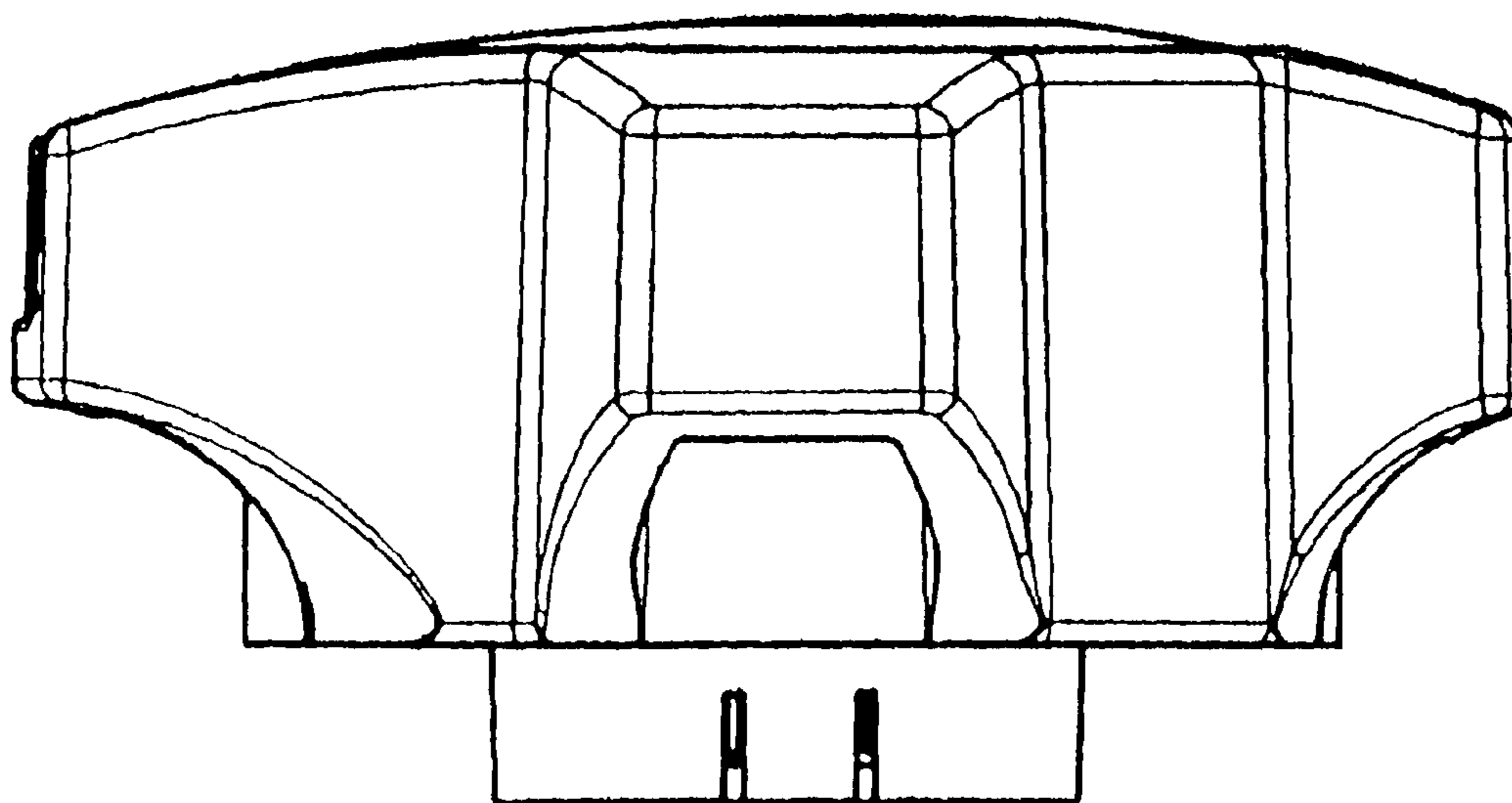


FIG. 7