



US00D628677S

(12) **United States Design Patent**
Allen et al.

(10) **Patent No.:** **US D628,677 S**
(45) **Date of Patent:** **** Dec. 7, 2010**

(54) **HAND PUMP**

(75) Inventors: **David Mark Allen**, St. Louis, MO (US);
Scott A. Sanders, Arnold, MO (US);
Ayzik Grach, Chesterfield, MO (US);
Paul G. Conley, St. Louis, MO (US)

(73) Assignee: **Lincoln Industrial Corporation**, St. Louis, MO (US)

(**) Term: **14 Years**

(21) Appl. No.: **29/326,545**

(22) Filed: **Oct. 20, 2008**

(51) **LOC (9) Cl.** **23-01**

(52) **U.S. Cl.** **D23/231**

(58) **Field of Classification Search** D23/231,
D23/226, 223; D15/7; 417/440, 305-6,
417/535, 234

See application file for complete search history.

(56) **References Cited**

U.S. PATENT DOCUMENTS

3,612,722	A *	10/1971	Neward	417/63
D321,927	S *	11/1991	Smith et al.	D23/231
5,779,105	A	7/1998	Brown		
6,102,676	A	8/2000	DiCarlo		
6,135,327	A	10/2000	Post		
D478,369	S *	8/2003	Chang	D23/231
6,736,292	B2	5/2004	Grach		
D495,029	S *	8/2004	Hernandez	D23/231
6,923,348	B2	8/2005	Grach		
7,147,442	B2	12/2006	Yeh		
2006/0045782	A1	3/2006	Kretzinger		
2006/0108180	A1	5/2006	Grach		
2008/0202854	A1	8/2008	Paluncic		

2008/0240944 A1 10/2008 Arens

FOREIGN PATENT DOCUMENTS

EP 1052445 A1 11/2000

* cited by examiner

Primary Examiner—Robin V Webster

(74) *Attorney, Agent, or Firm*—Sennigers Powers LLP

(57) **CLAIM**

The ornamental design for a hand pump, as shown and described.

DESCRIPTION

FIG. 1 is a perspective view of a first embodiment of a hand pump;

FIG. 2 is a front view thereof;

FIG. 3 is a right side view thereof;

FIG. 4 is a top plan view thereof;

FIG. 5 is a rear view thereof;

FIG. 6 is a left side view thereof;

FIG. 7 is a bottom plan view thereof;

FIG. 8 is a perspective view of a second embodiment of a hand pump;

FIG. 9 is a front view thereof;

FIG. 10 is a right side view thereof;

FIG. 11 is a top plan view thereof;

FIG. 12 is a rear view thereof;

FIG. 13 is a left side view thereof; and,

FIG. 14 is a bottom plan view thereof.

1 Claim, 14 Drawing Sheets

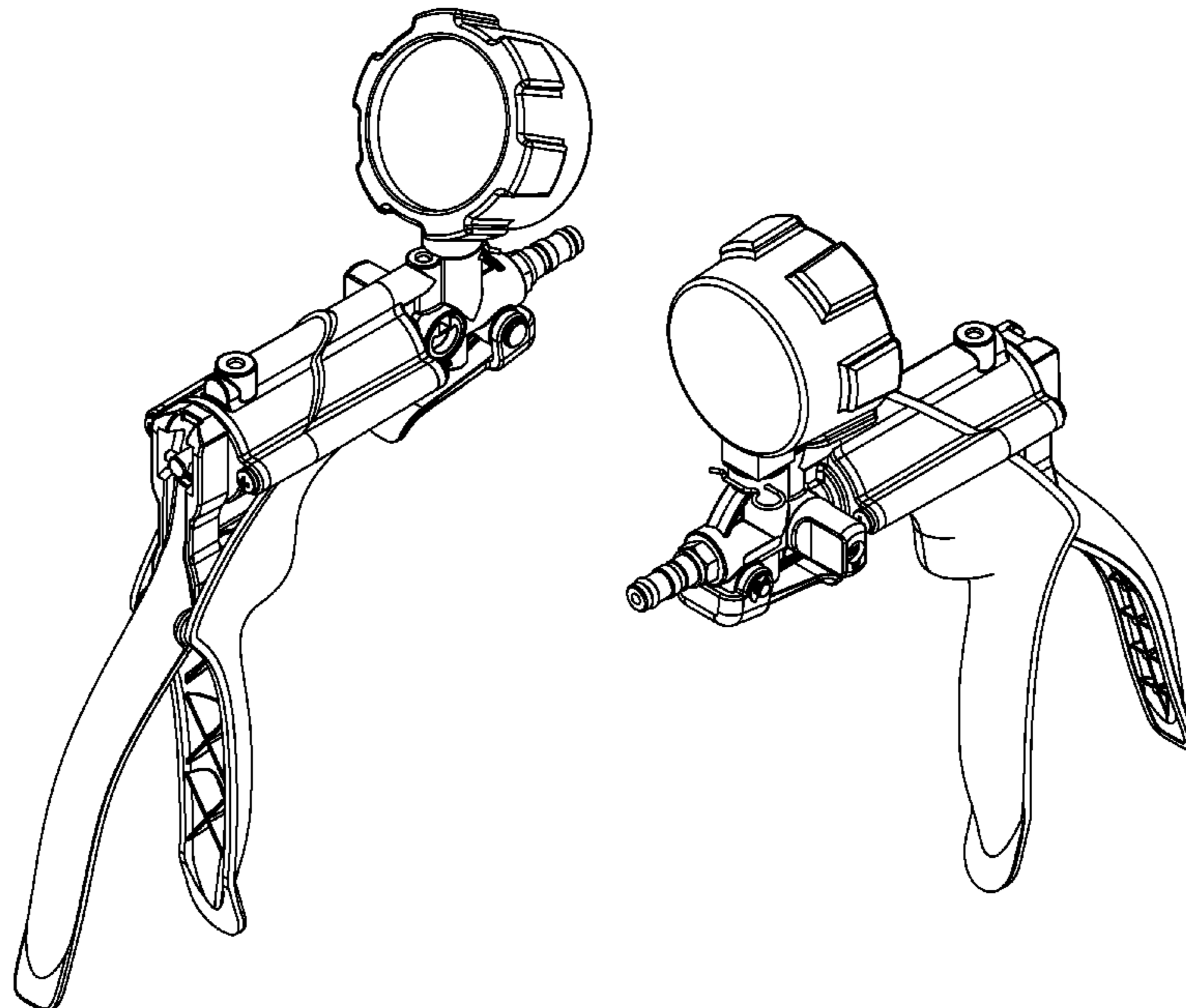


FIG. 1

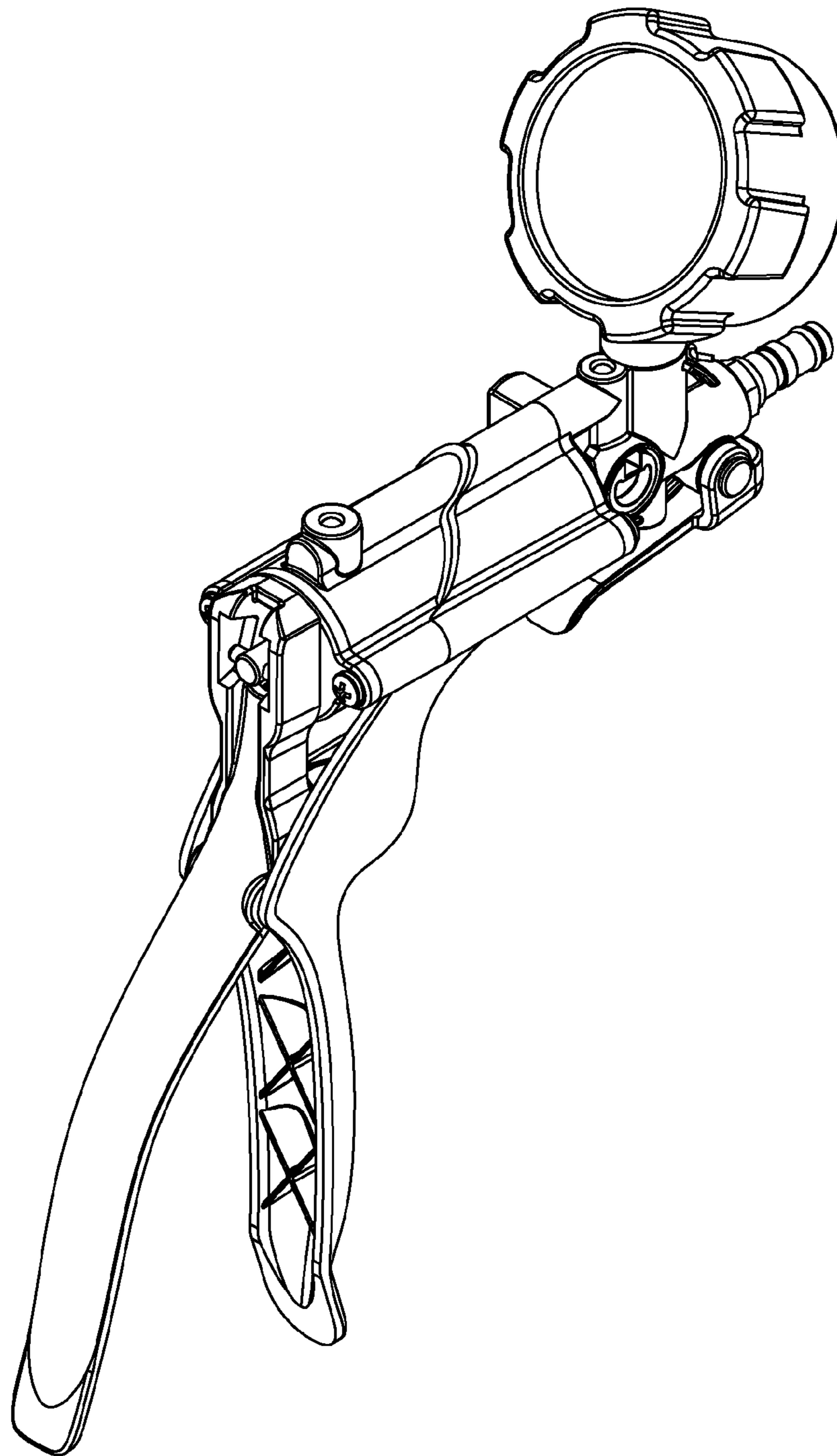


FIG. 2

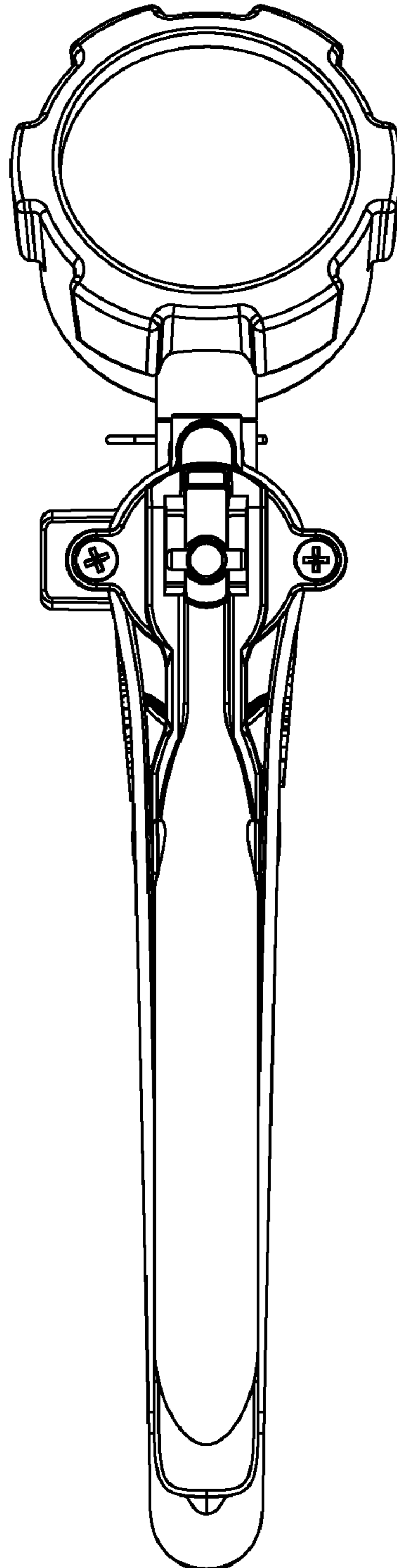


FIG. 3

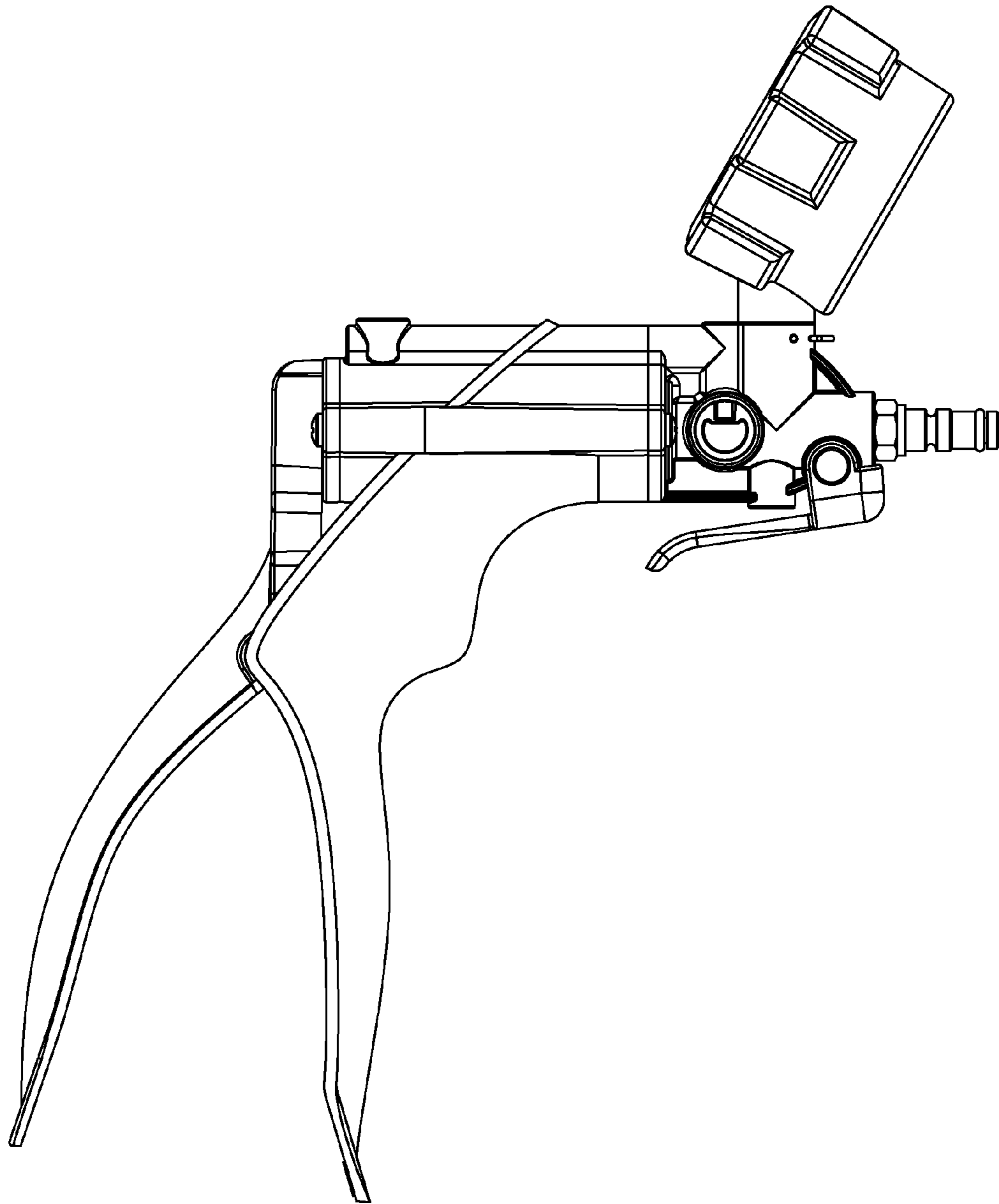


FIG. 4

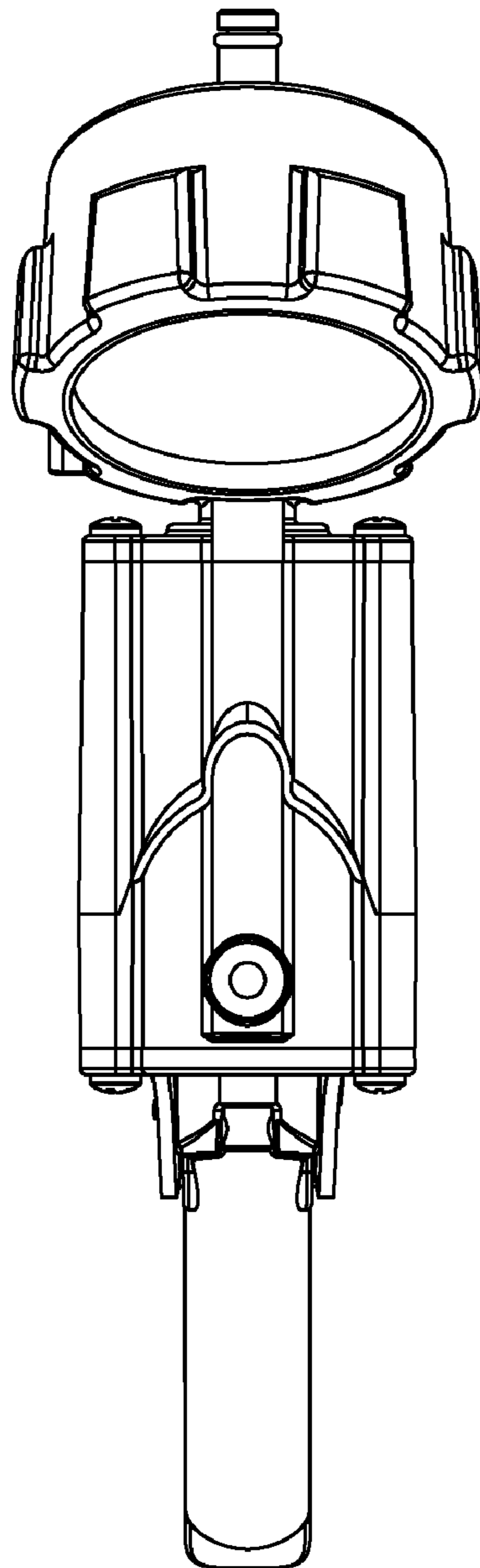


FIG. 5

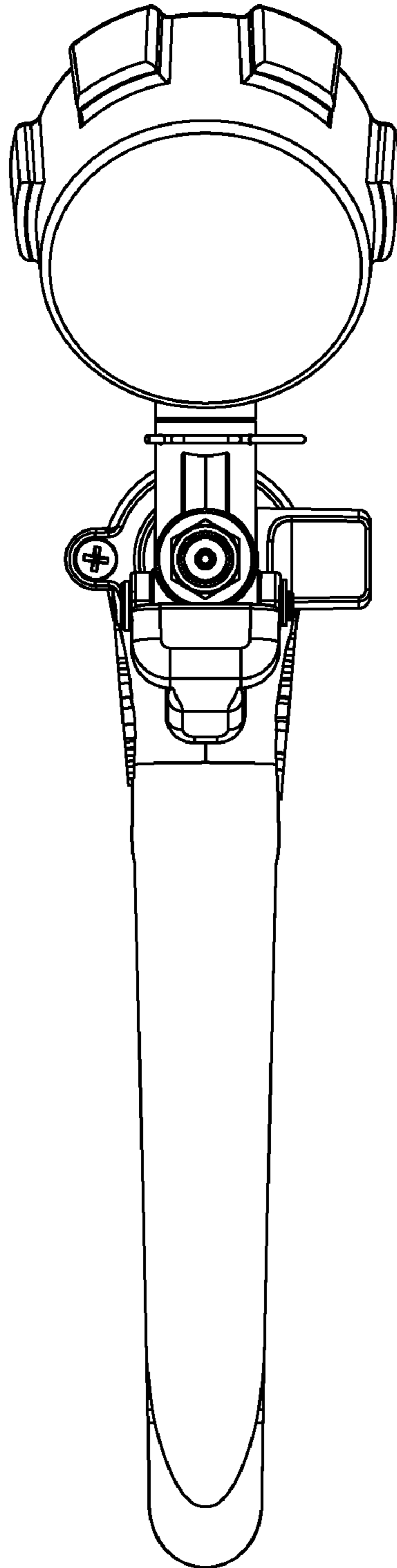


FIG. 6

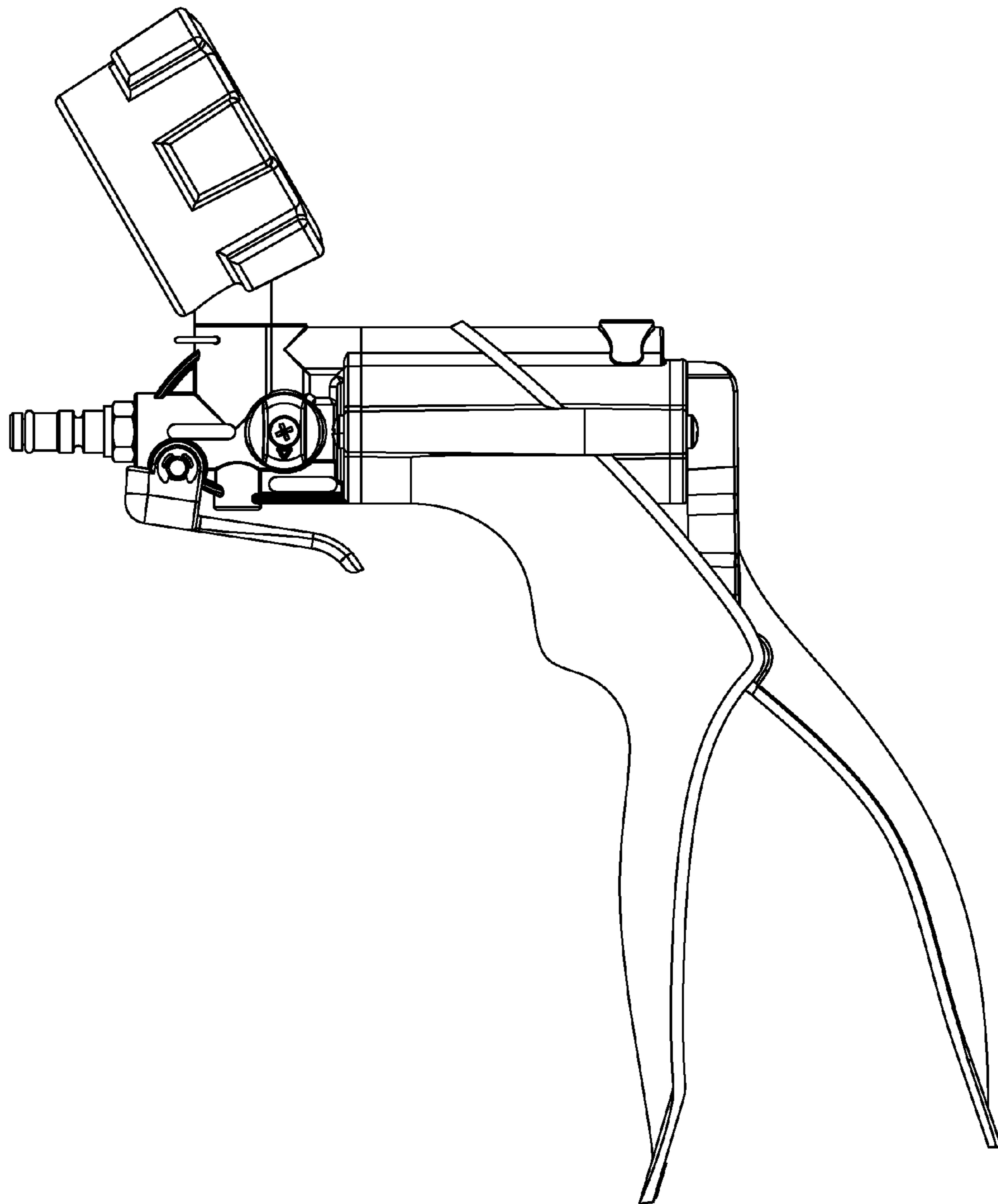


FIG. 7

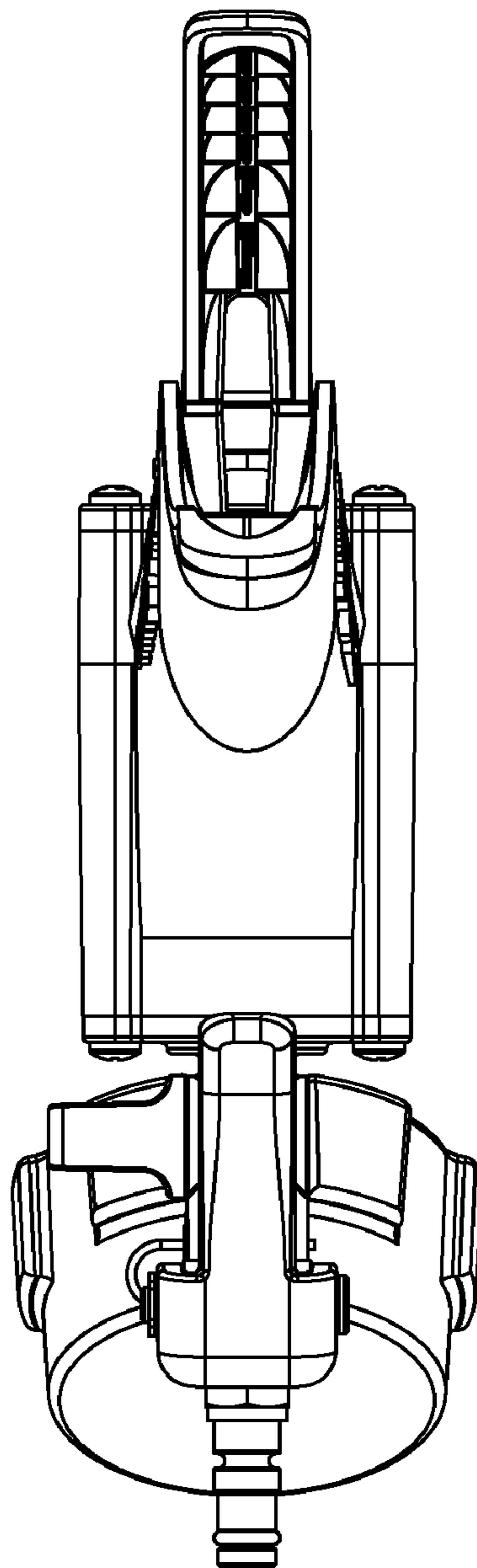


FIG. 8

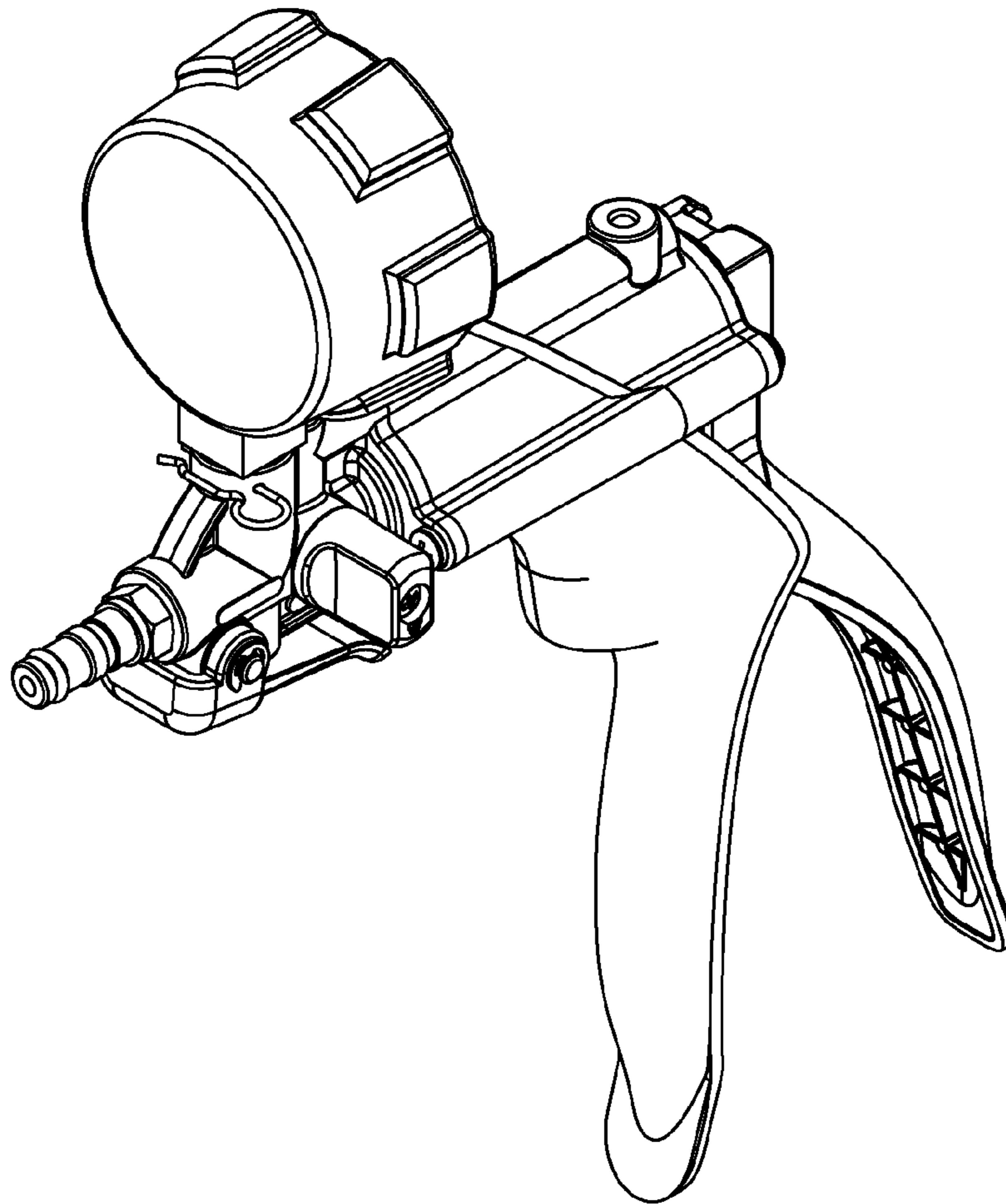


FIG. 9

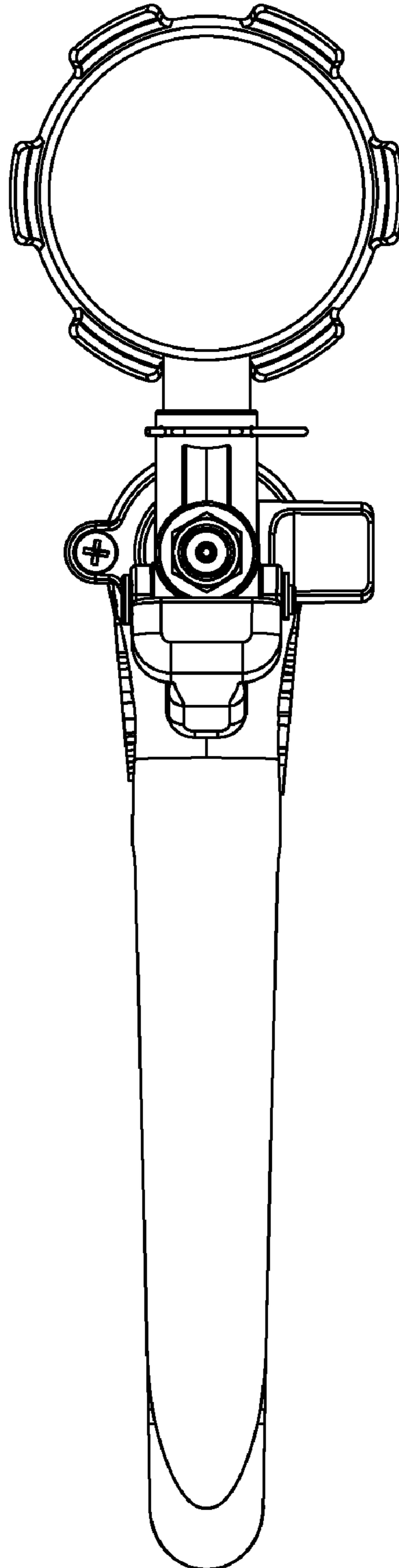


FIG. 10

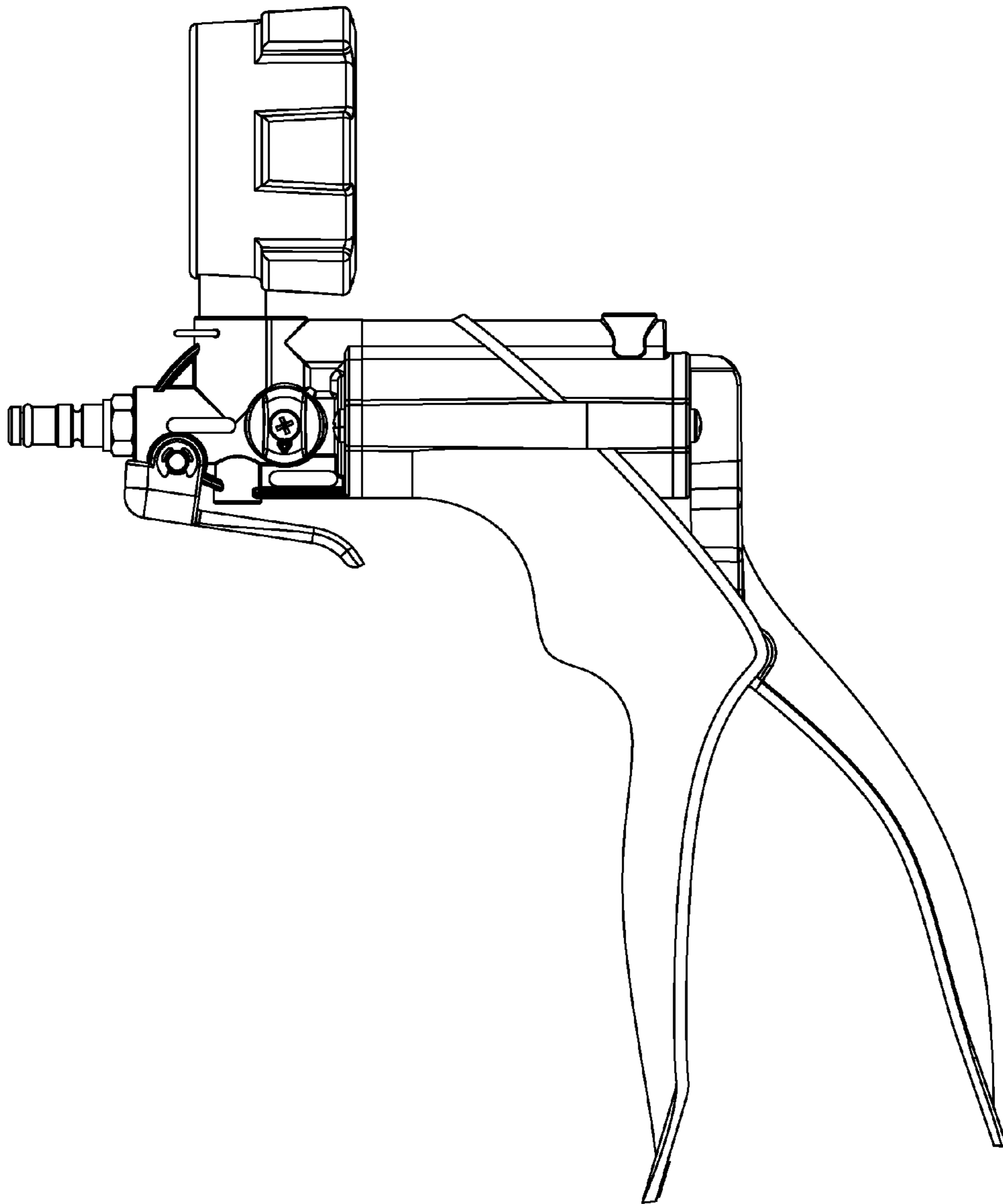


FIG. 11

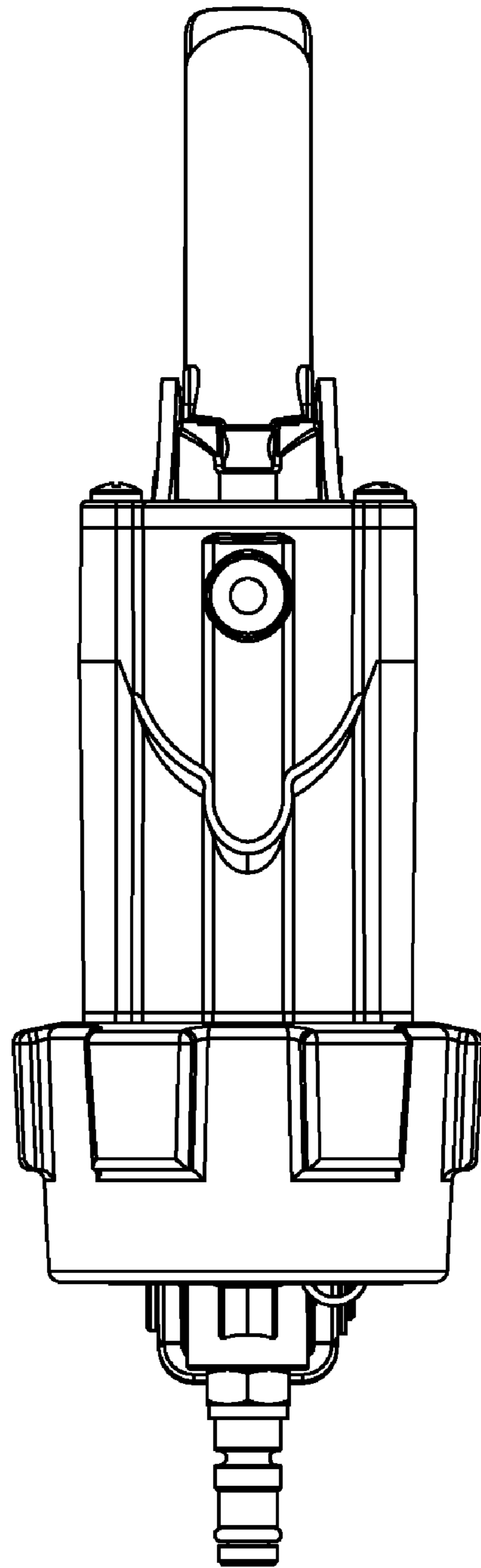


FIG. 12

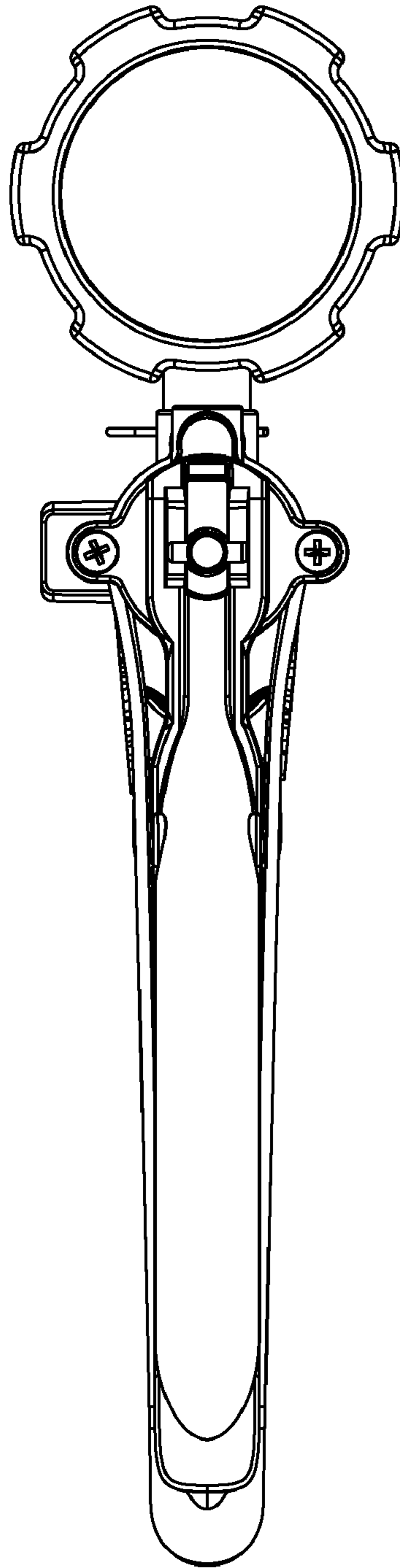


FIG. 13

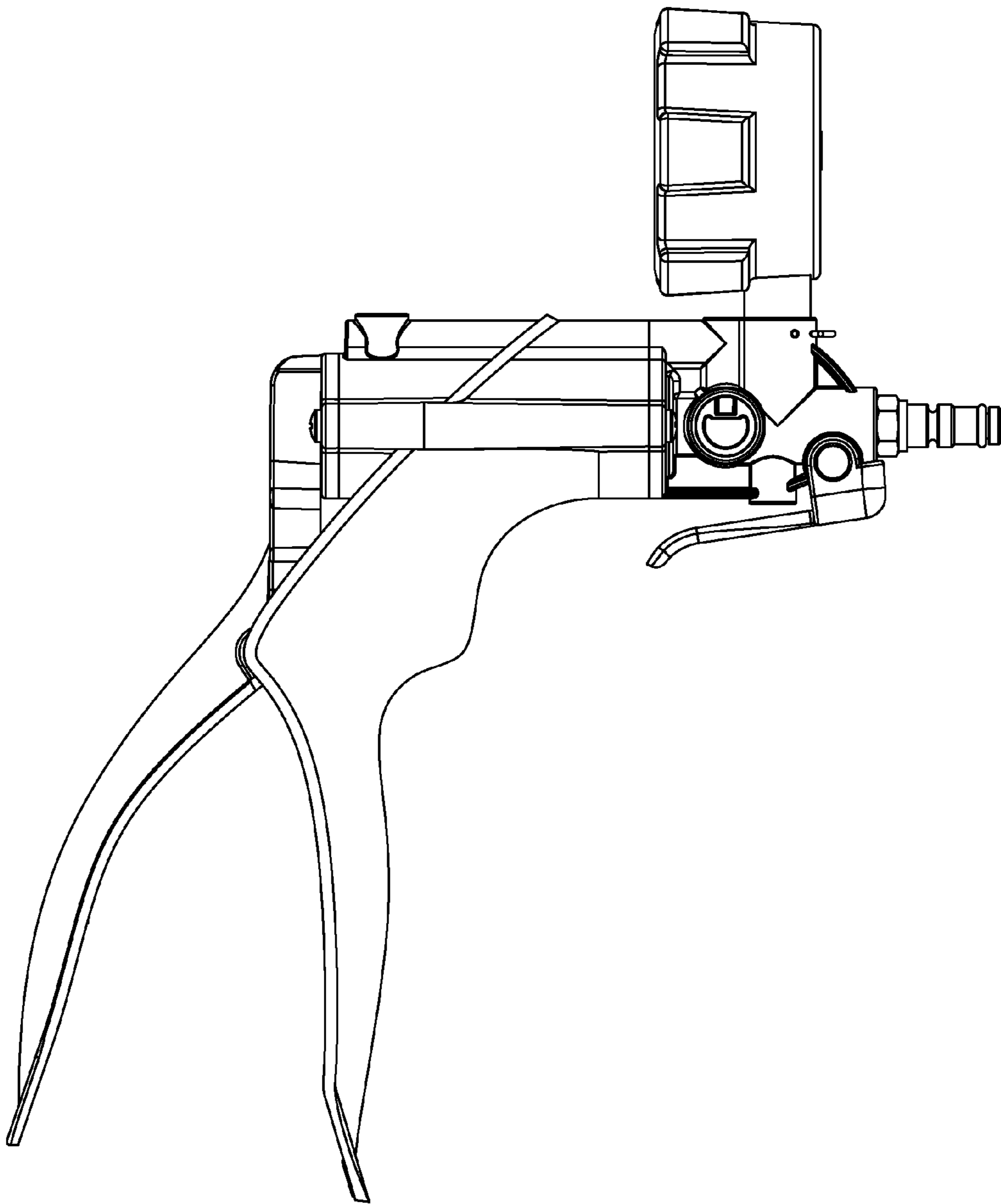


FIG. 14

