



US00D628672S

(12) **United States Design Patent**  
**Kendall et al.**

(10) **Patent No.:** **US D628,672 S**  
(45) **Date of Patent:** **\*\* Dec. 7, 2010**

(54) **LIQUID CONTAINMENT VESSEL**

D514,192 S \* 1/2006 Stoner ..... D23/202  
D527,789 S \* 9/2006 Thompson et al. .... D23/202

(75) Inventors: **Jeffrey D. Kendall**, Laurel, MD (US);  
**David R. Axton**, Port Byron, NY (US);  
**Richard Sevrey**, Bristol, IN (US)

\* cited by examiner

*Primary Examiner*—Robin V Webster  
(74) *Attorney, Agent, or Firm*—Kegler Brown Hill & Ritter  
Co.; James J. Pingor

(73) Assignee: **Earthway Products, Inc.**, Bristol, IN  
(US)

(\*\*) Term: **14 Years**

(57) **CLAIM**

(21) Appl. No.: **29/351,568**

The ornamental design for a liquid containment vessel, as  
shown and described.

(22) Filed: **Dec. 8, 2009**

**DESCRIPTION**

(51) **LOC (9) Cl.** ..... **23-01**

FIG. 1 is a right front perspective view of a liquid containment  
vessel;

(52) **U.S. Cl.** ..... **D23/202; D23/225**

FIG. 2 is a front view thereof;

(58) **Field of Classification Search** ..... D23/202–205,  
D23/225; 220/586–587, 565, 567.1, 581,  
220/23.89; 239/157, 332–333

FIG. 3 is a top view thereof;

See application file for complete search history.

FIG. 4 is a bottom view thereof;

FIG. 5 is a left side view thereof;

(56) **References Cited**

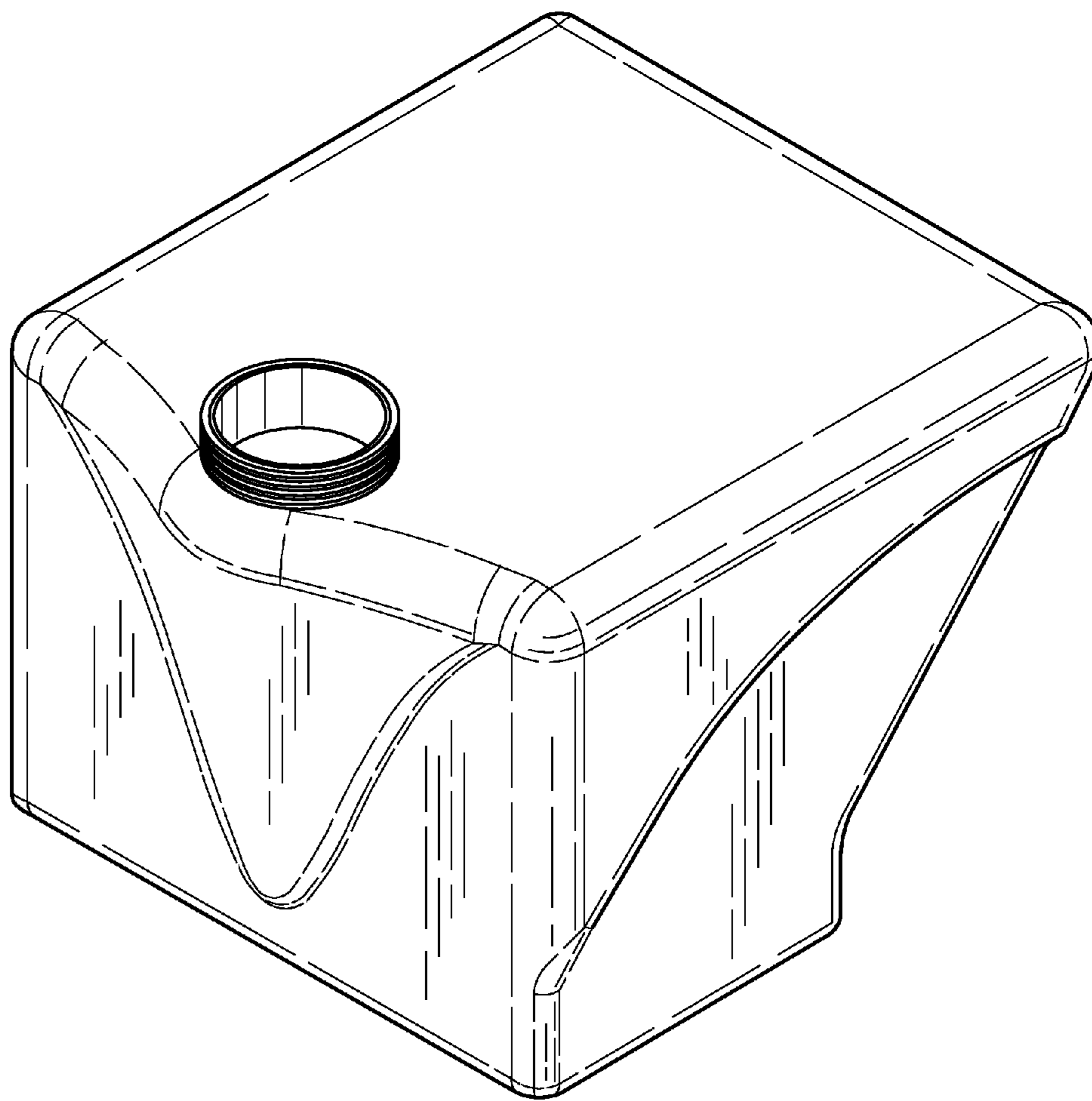
**U.S. PATENT DOCUMENTS**

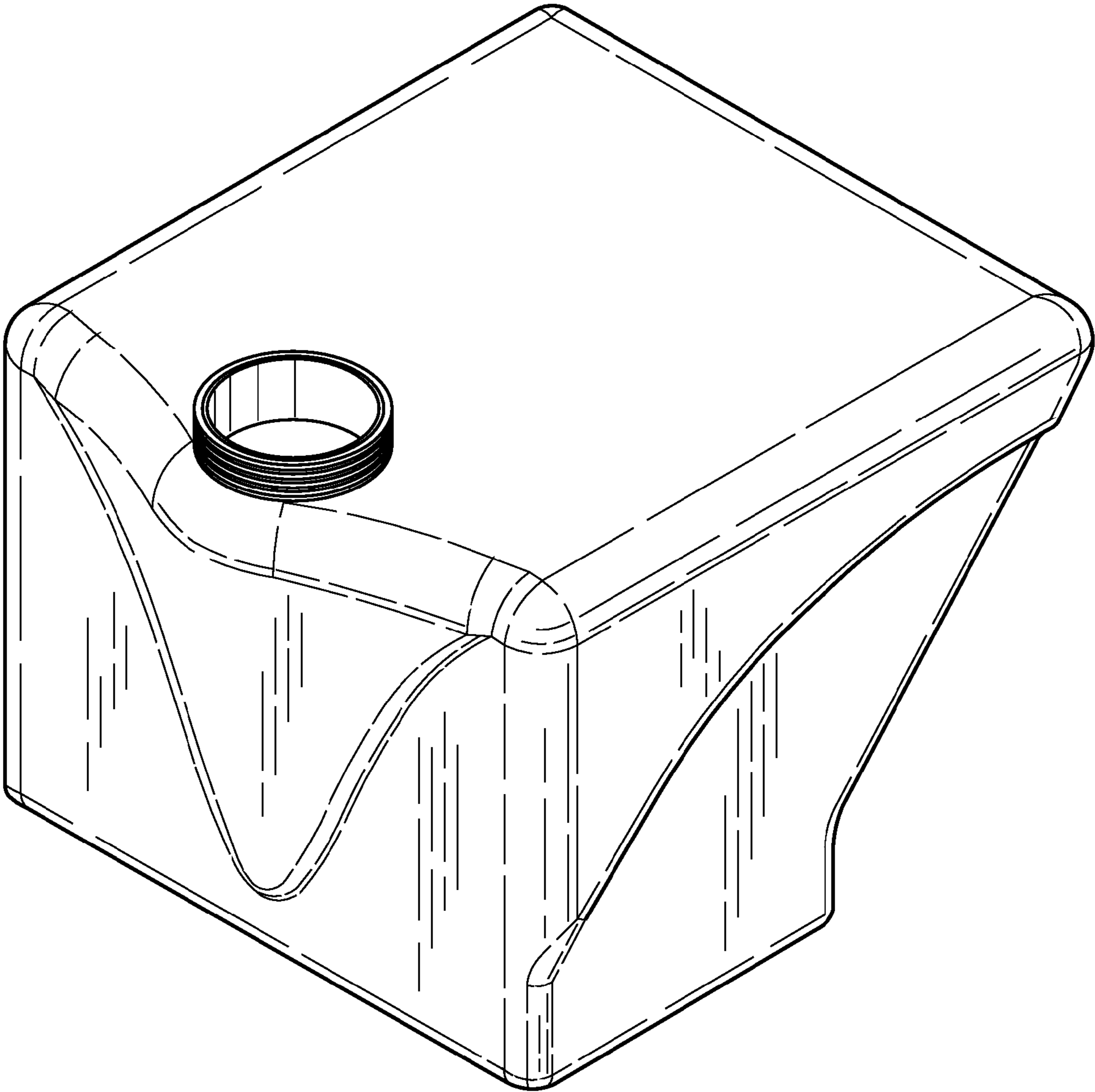
D270,856 S \* 10/1983 Peets et al. .... D23/202  
D452,294 S \* 12/2001 Harthoorn et al. .... D23/202

FIG. 6 is a right side view thereof; and,

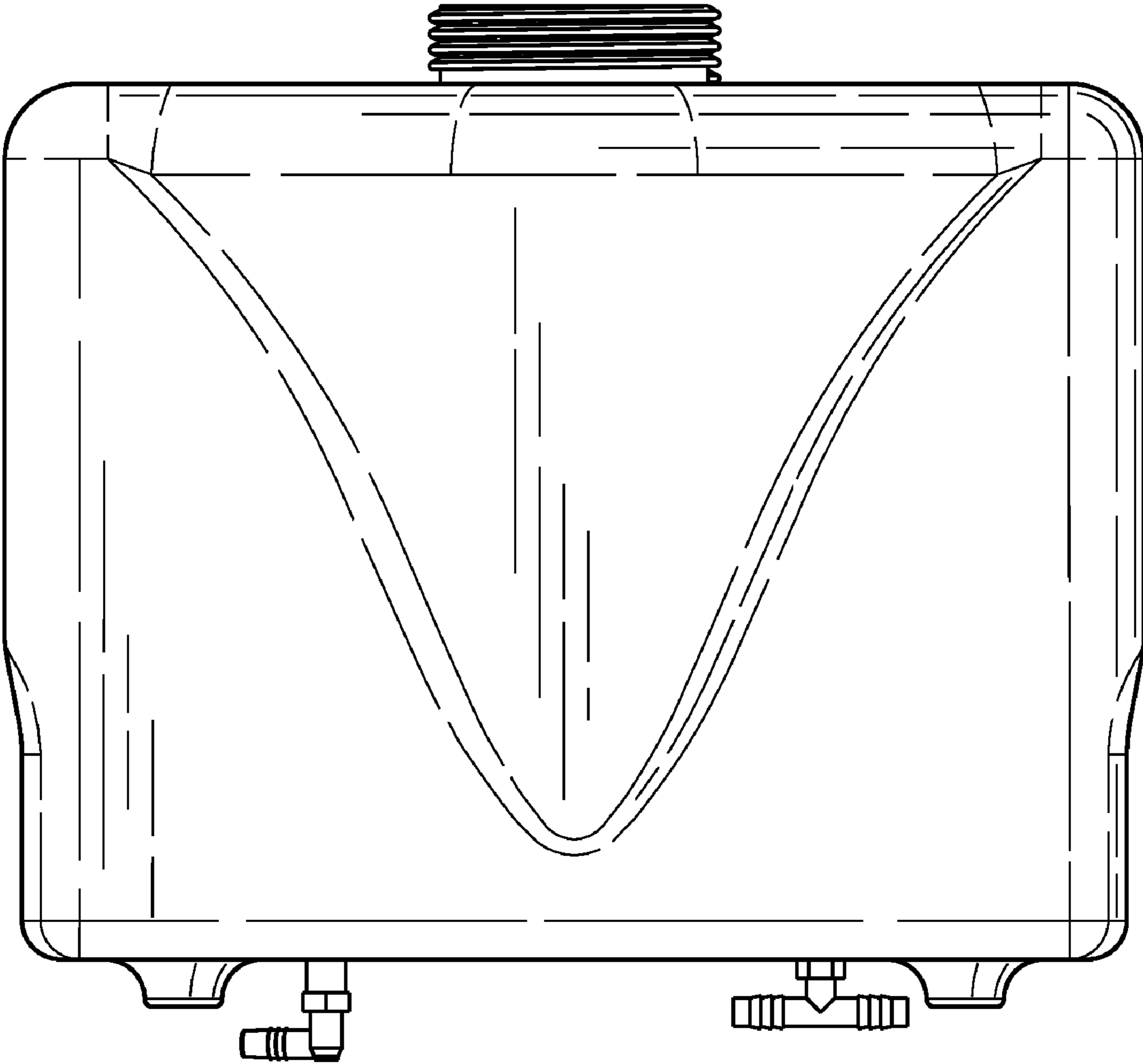
FIG. 7 is a rear view thereof.

**1 Claim, 7 Drawing Sheets**

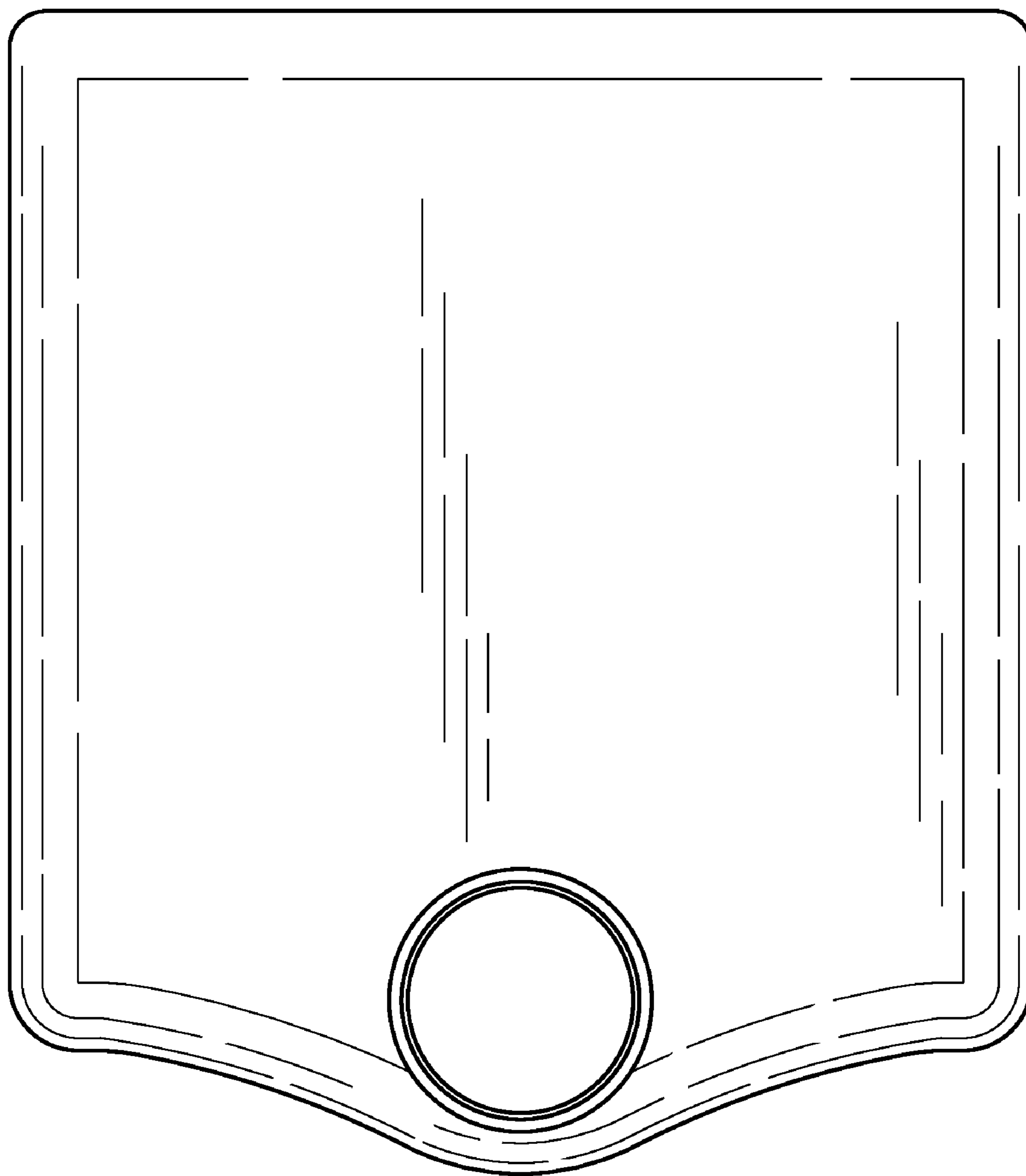




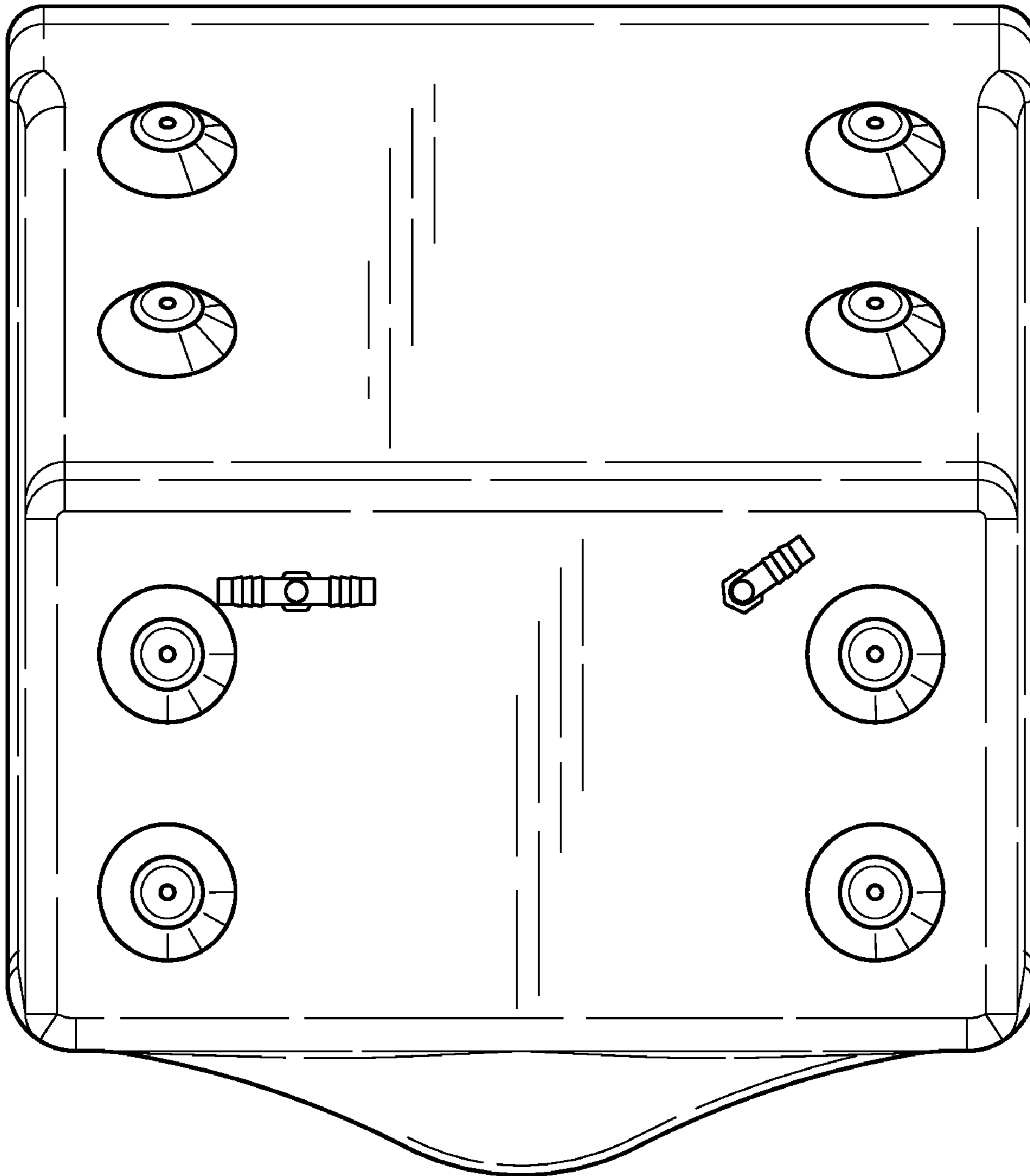
*Fig. 1*



*Fig. 2*



*Fig. 3*



*Fig. 4*

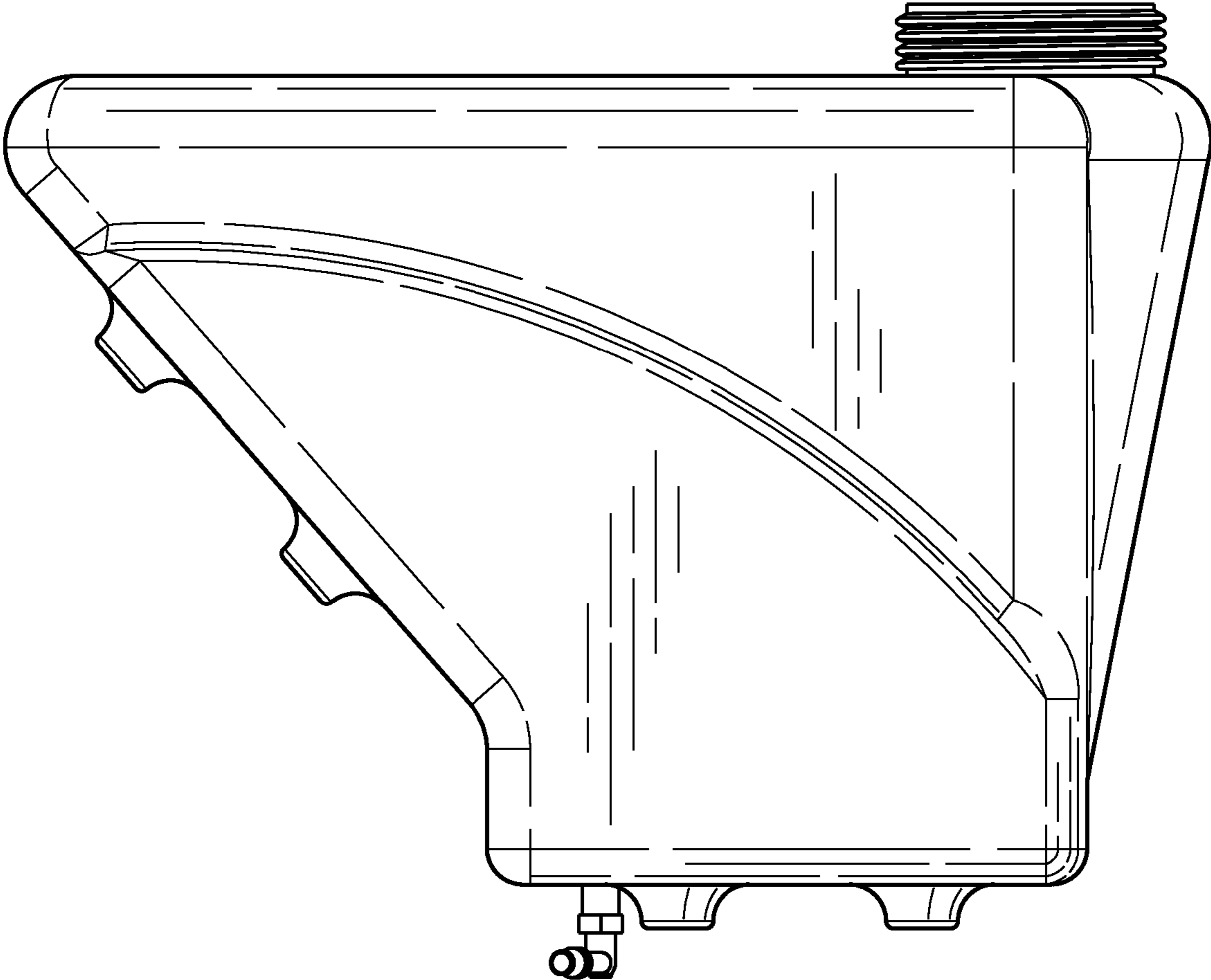
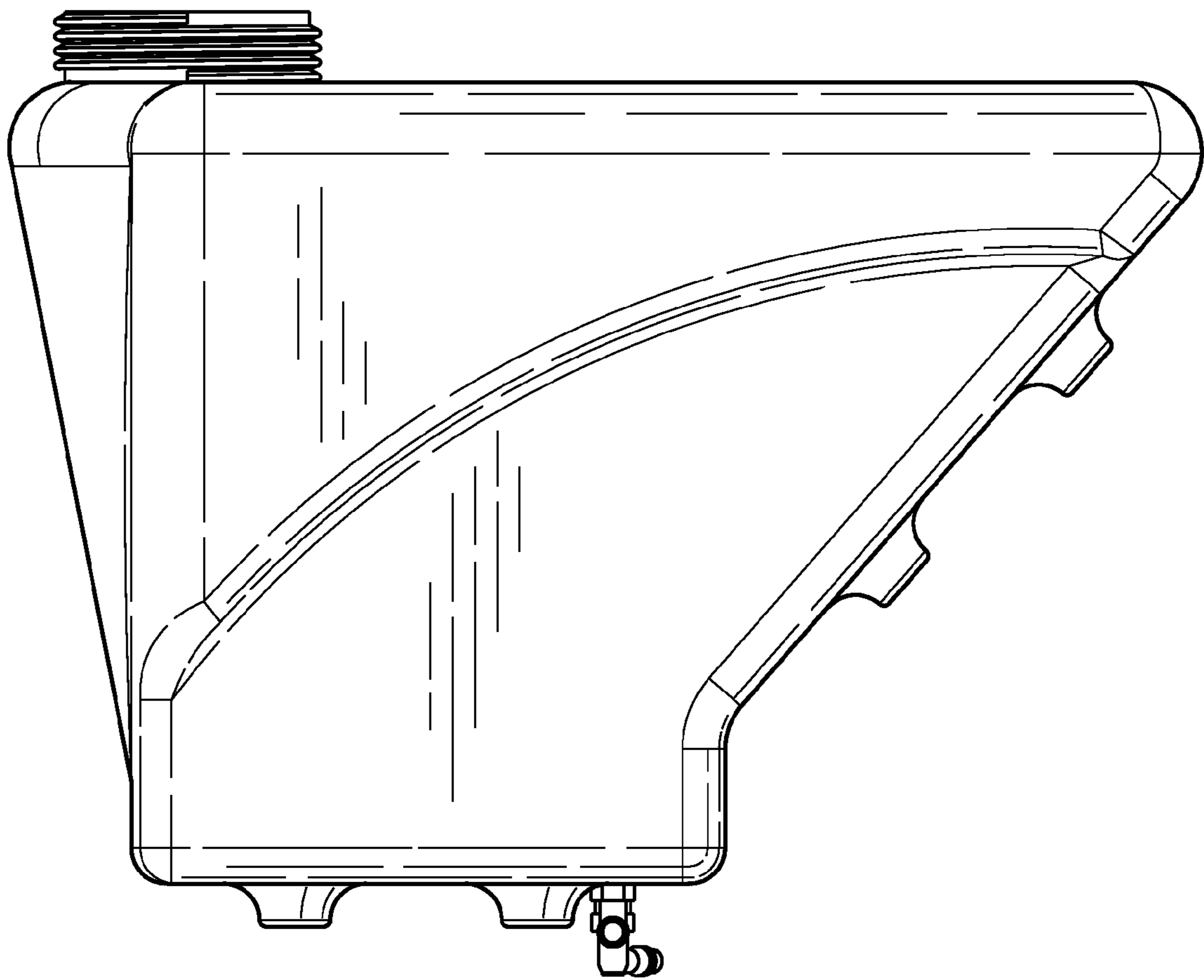
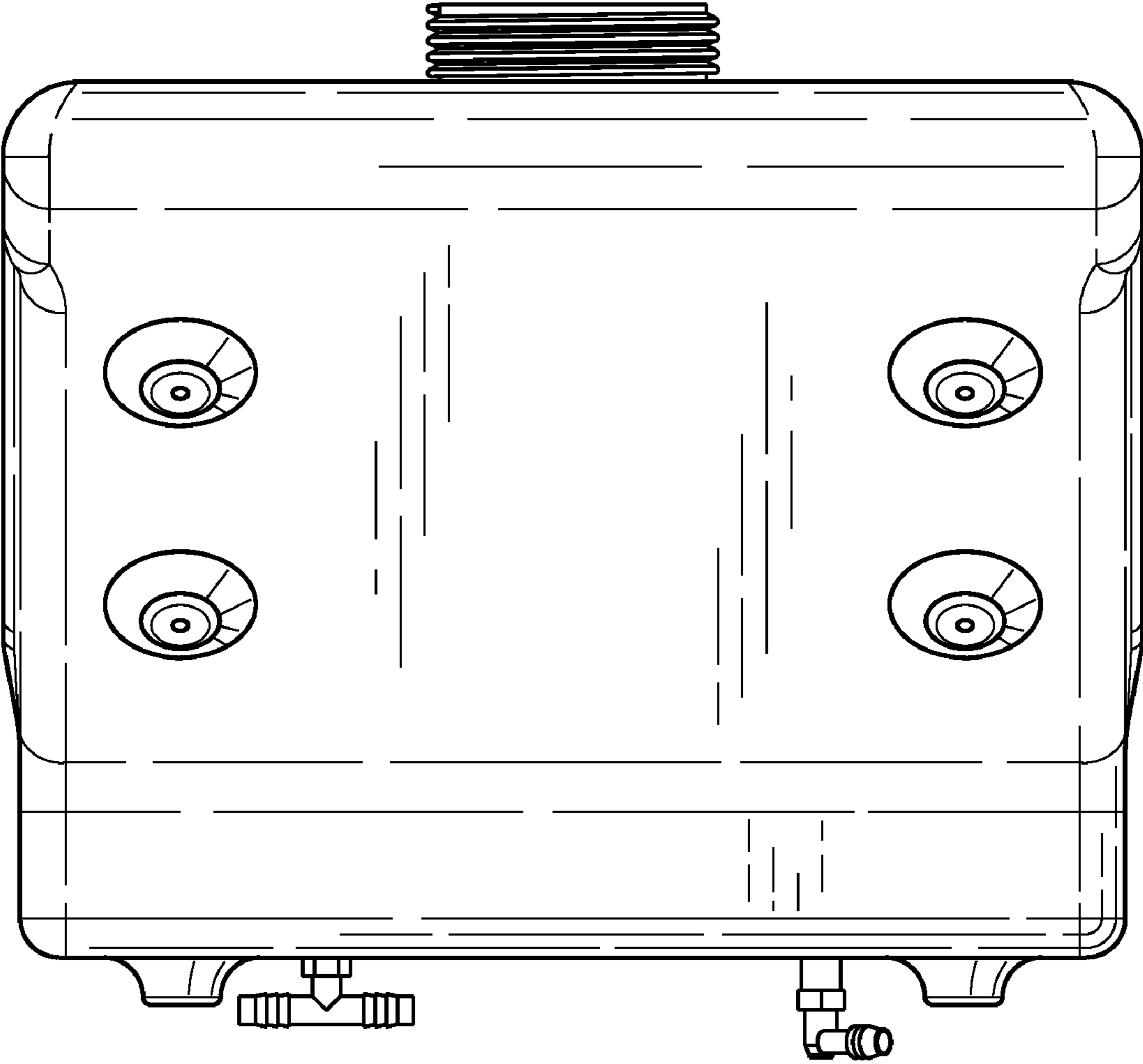


Fig. 5



*Fig. 6*



*Fig. 7*