



US00D628671S

(12) **United States Design Patent**
Noma

(10) **Patent No.:** **US D628,671 S**
(45) **Date of Patent:** **** Dec. 7, 2010**

(54) **FISHING REEL KNOB PORTION**

(75) Inventor: **Natsuki Noma**, Osaka (JP)

(73) Assignee: **Shimano Inc.**, Osaka (JP)

(**) Term: **14 Years**

(21) Appl. No.: **29/363,216**

(22) Filed: **Jun. 7, 2010**

(30) **Foreign Application Priority Data**

Jan. 8, 2010 (JP) 2010-405

(51) **LOC (9) Cl.** **22-05**

(52) **U.S. Cl.** **D22/142**

(58) **Field of Classification Search** D22/142,
D22/134, 137-139, 199; 43/18.1, 20, 22-23;
D8/310; D11/3, 4

See application file for complete search history.

(56) **References Cited**

U.S. PATENT DOCUMENTS

D466,181 S * 11/2002 DeSorcy D22/142

D470,429 S * 2/2003 Bonnet D11/3

D530,593 S * 10/2006 Kosasih et al. D8/310

D607,532 S * 1/2010 Tsutsumi et al. D22/142

* cited by examiner

Primary Examiner—Catherine R Oliver

(74) *Attorney, Agent, or Firm*—Global IP Counselors, LLP

(57) **CLAIM**

The ornamental design for a fishing reel knob portion, as shown and described.

DESCRIPTION

FIG. 1 is a first perspective view of a fishing reel knob portion in accordance with my new design;

FIG. 2 is a first side elevational view of the fishing reel knob portion illustrated in FIG. 1;

FIG. 3 is a second side elevational view of the fishing reel knob portion illustrated in FIG. 1 that is opposite side view of FIG. 2;

FIG. 4 is a top plan view of the fishing reel knob portion illustrated in FIG. 1;

FIG. 5 is a bottom plan view of the fishing reel knob portion illustrated in FIG. 1;

FIG. 6 is a left side elevational view of the fishing reel knob portion with respect to FIG. 4;

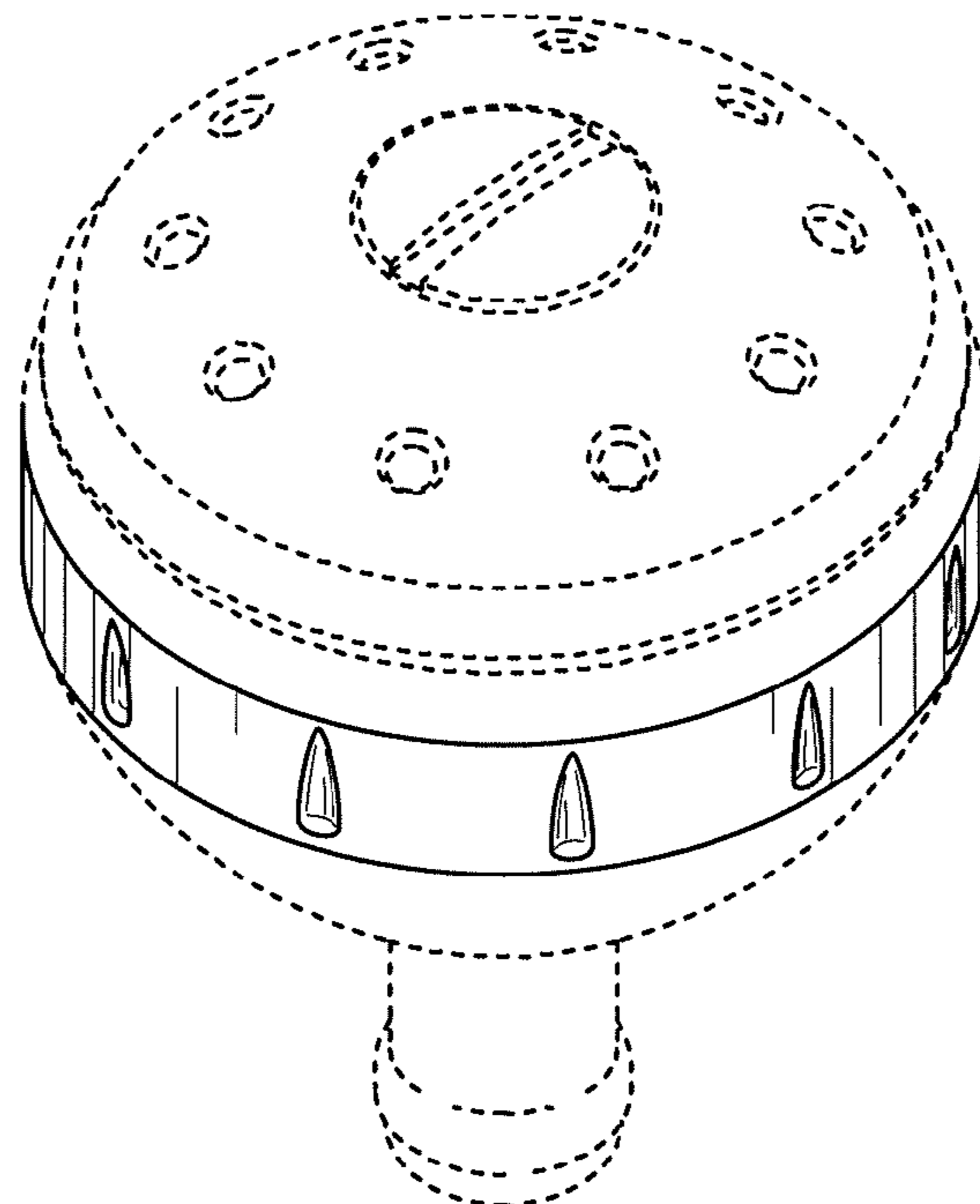
FIG. 7 is a right side elevational view of the fishing reel knob portion with respect to FIG. 4;

FIG. 8 is an enlarged perspective view of a section of the fishing reel knob portion illustrated in FIG. 1; and,

FIG. 9 is a side elevational view of a section of the fishing reel knob portion illustrated in FIG. 1.

The broken line showing of environment in the drawings is included for the purpose of illustrating only and forms no part of the claimed design.

1 Claim, 5 Drawing Sheets



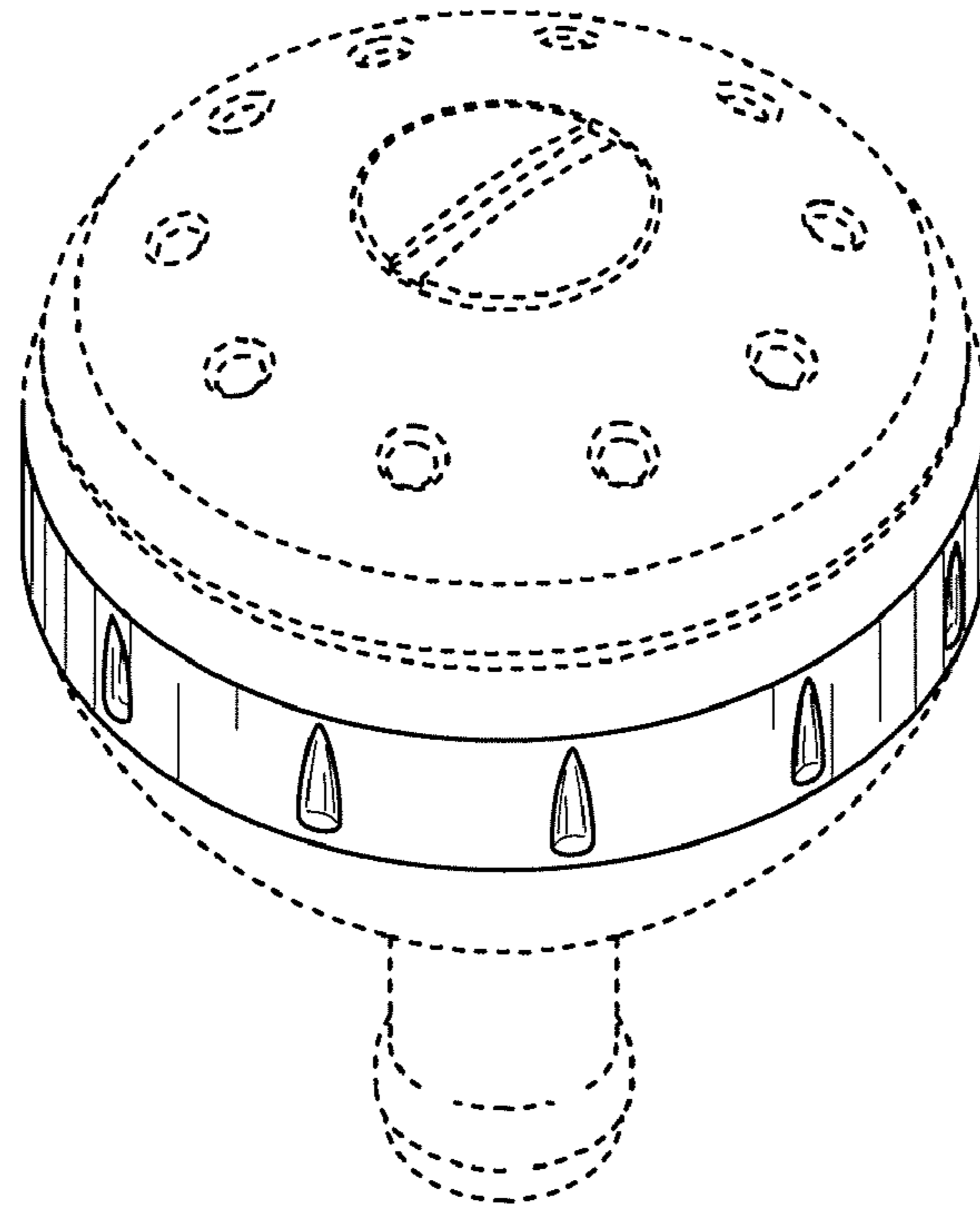


FIG. 1

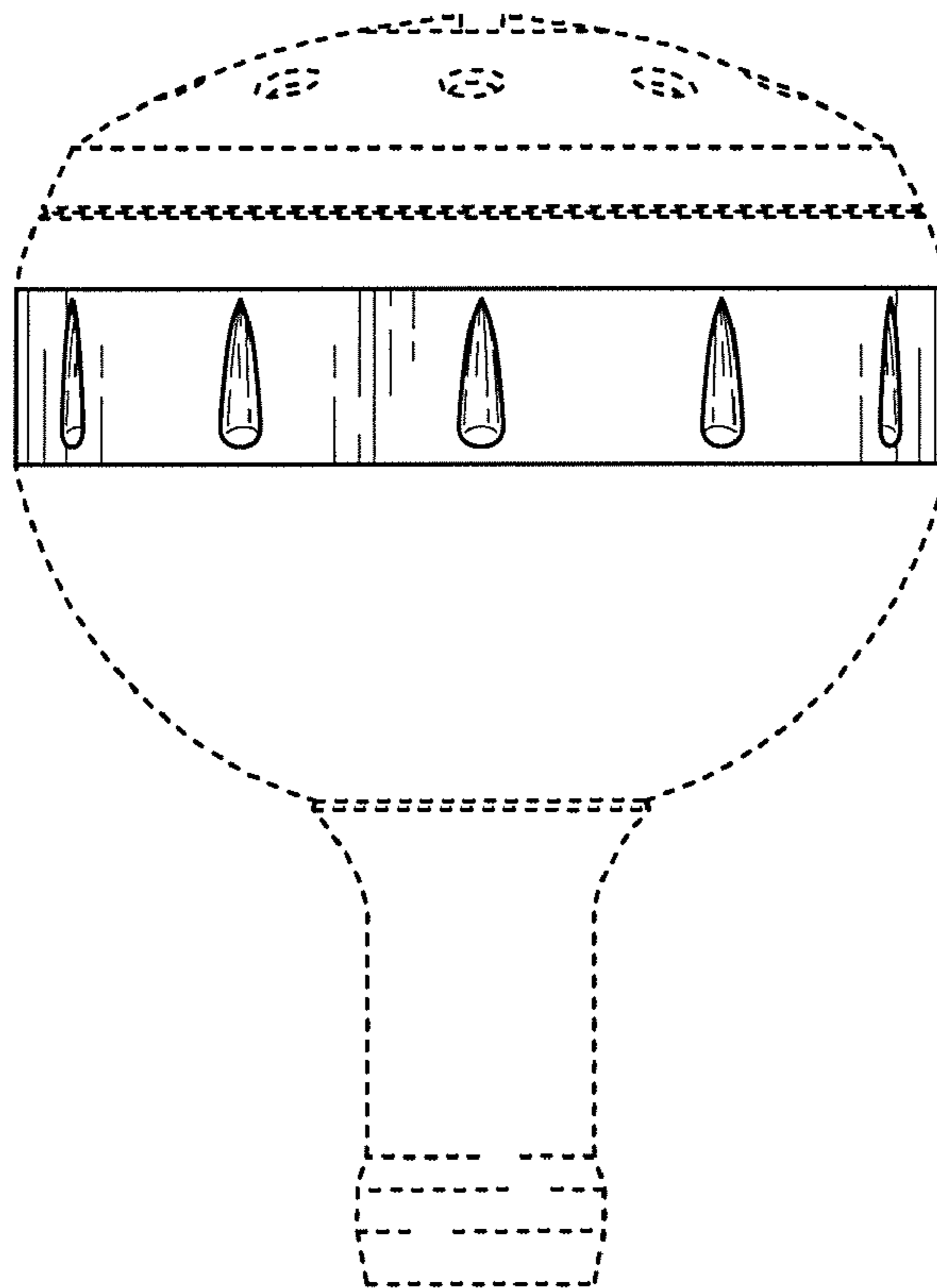


FIG. 2

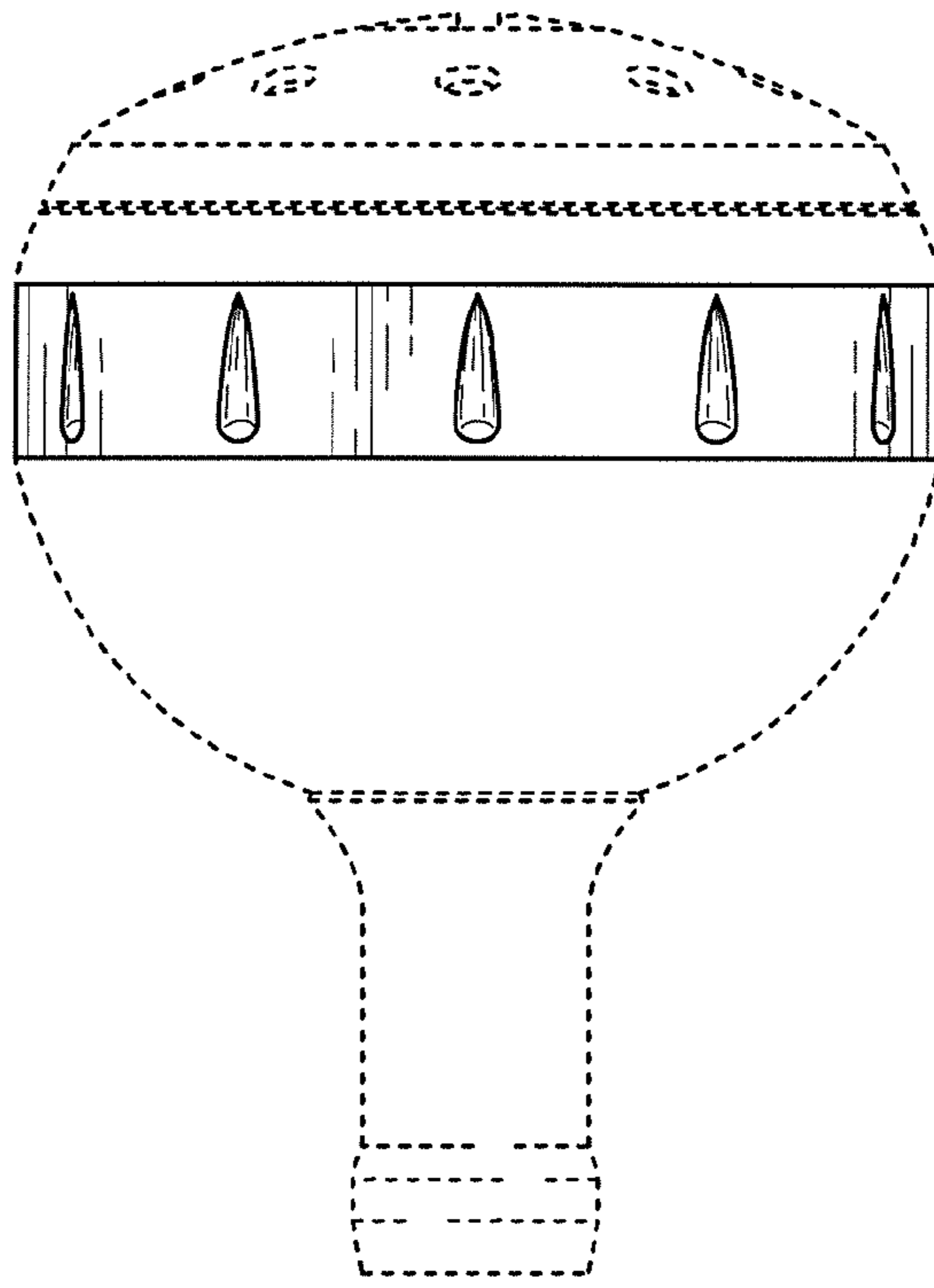


FIG. 3

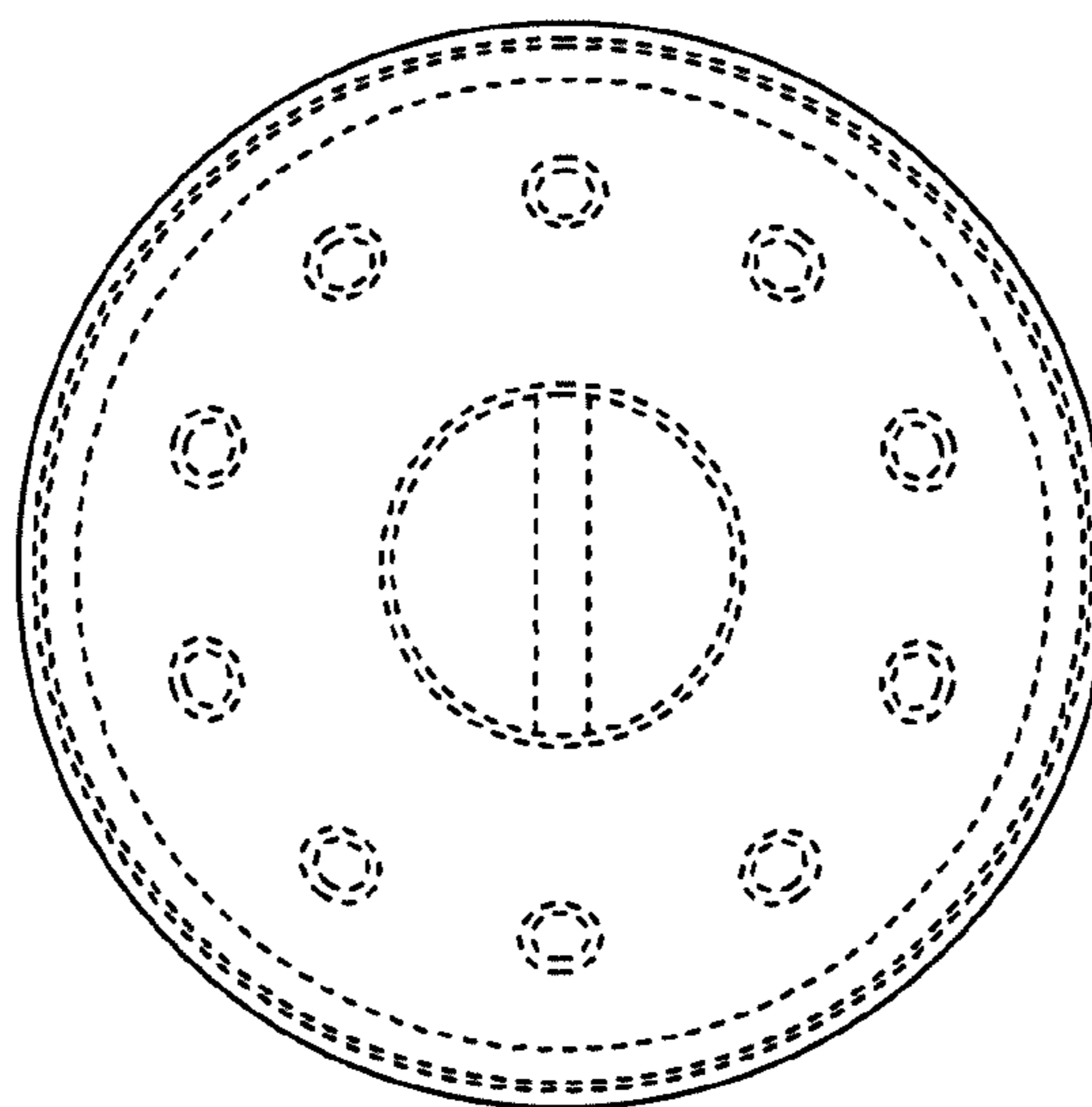


FIG. 4

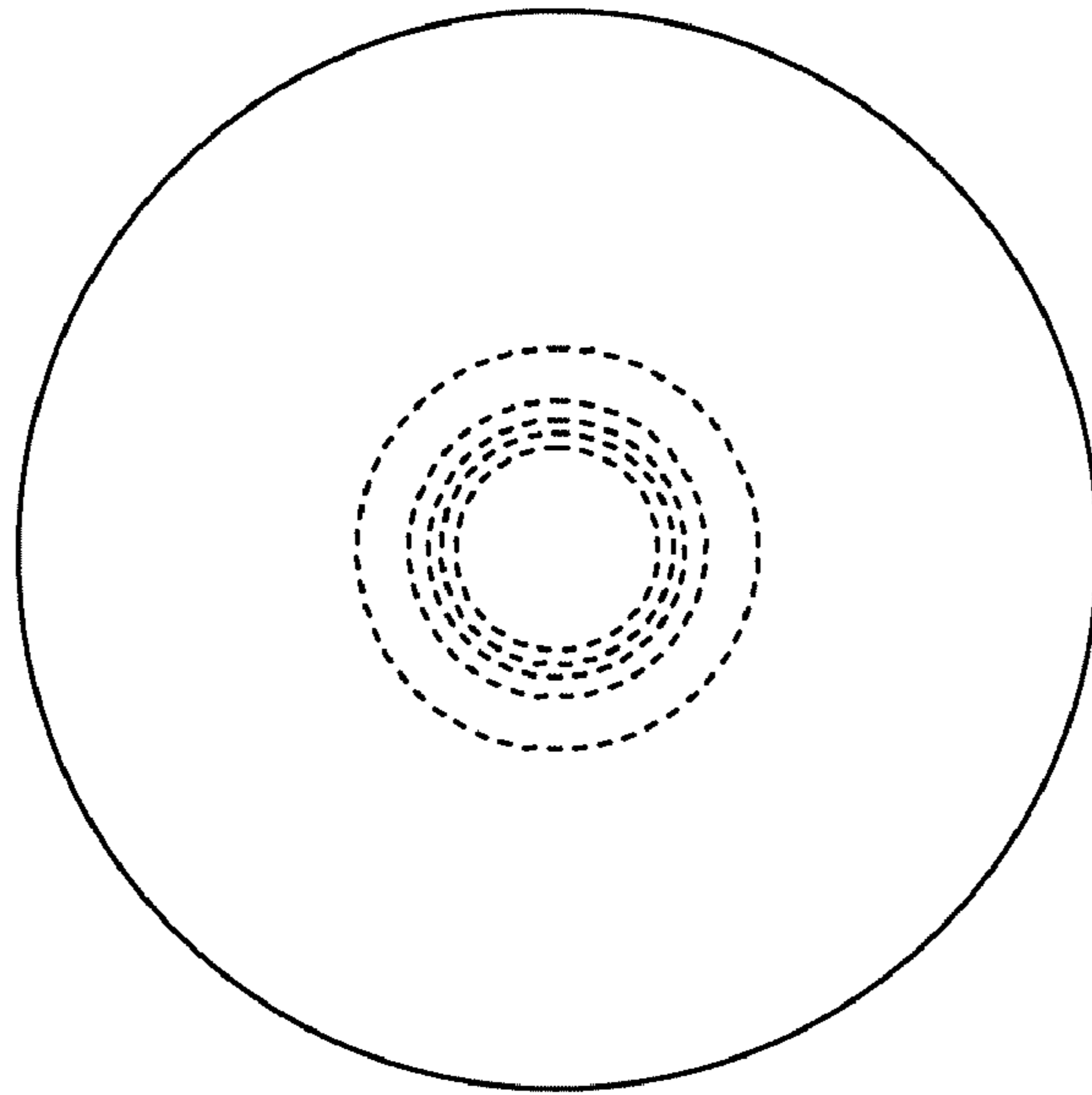


FIG. 5

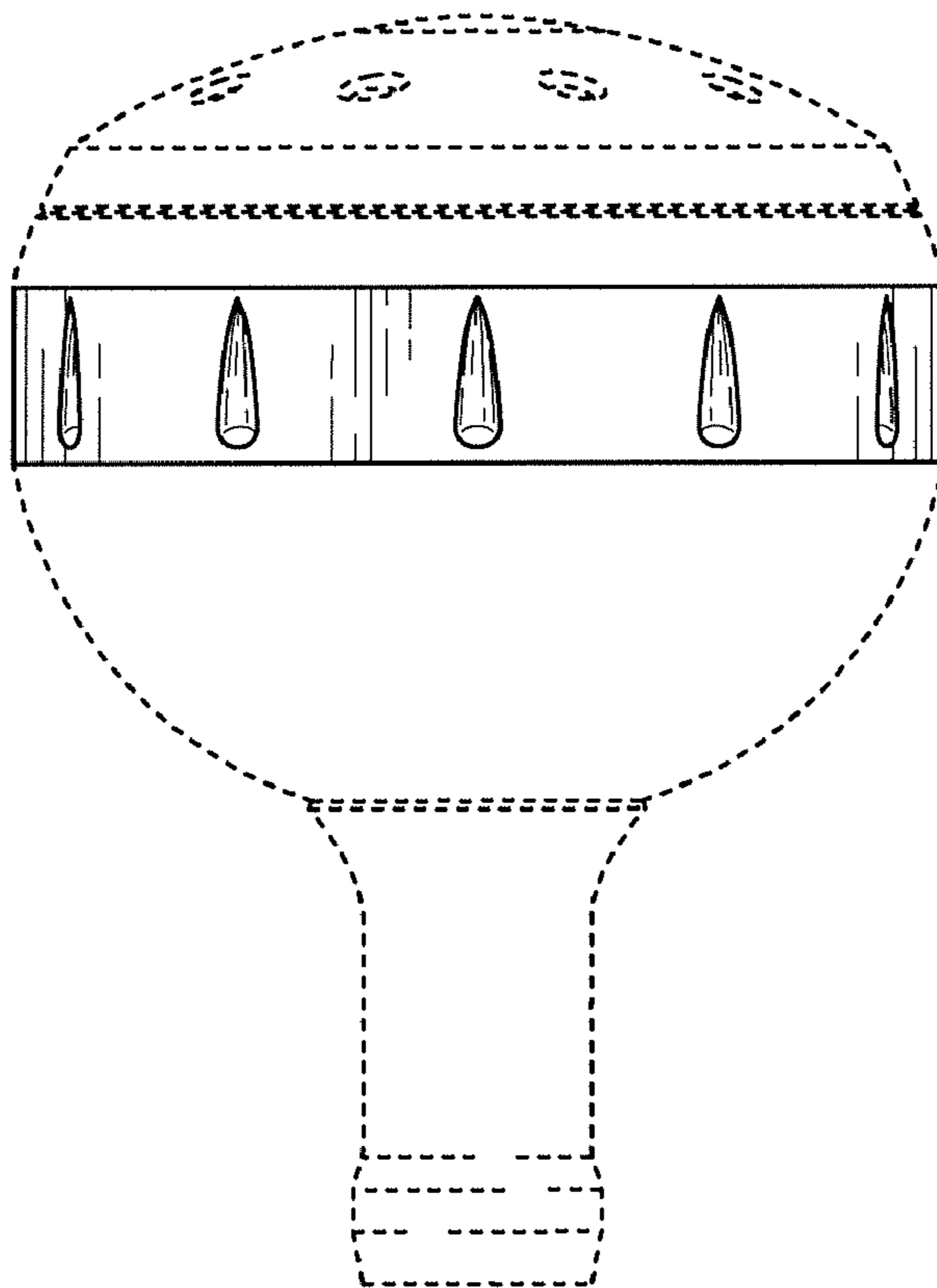


FIG. 6

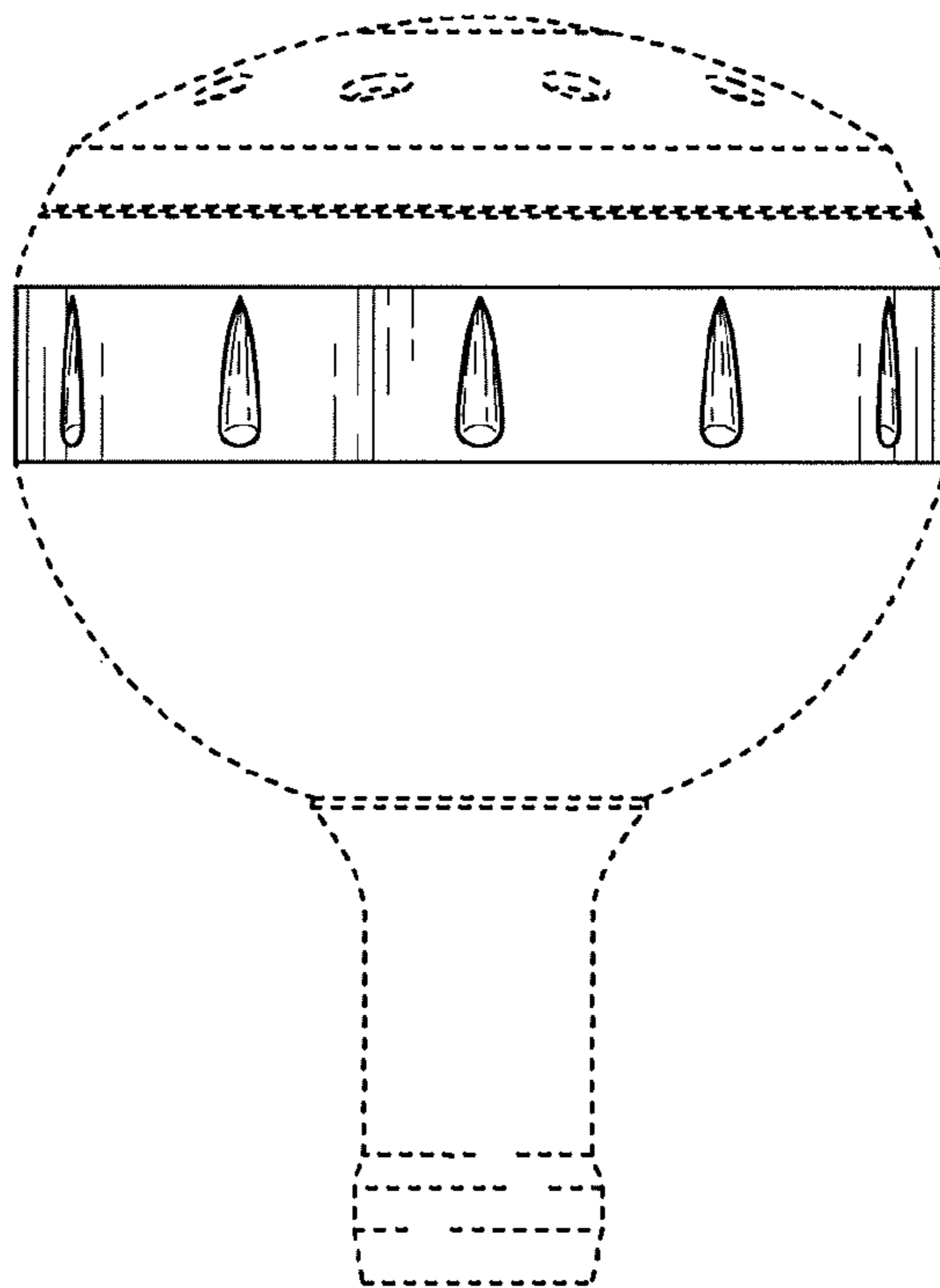


FIG. 7

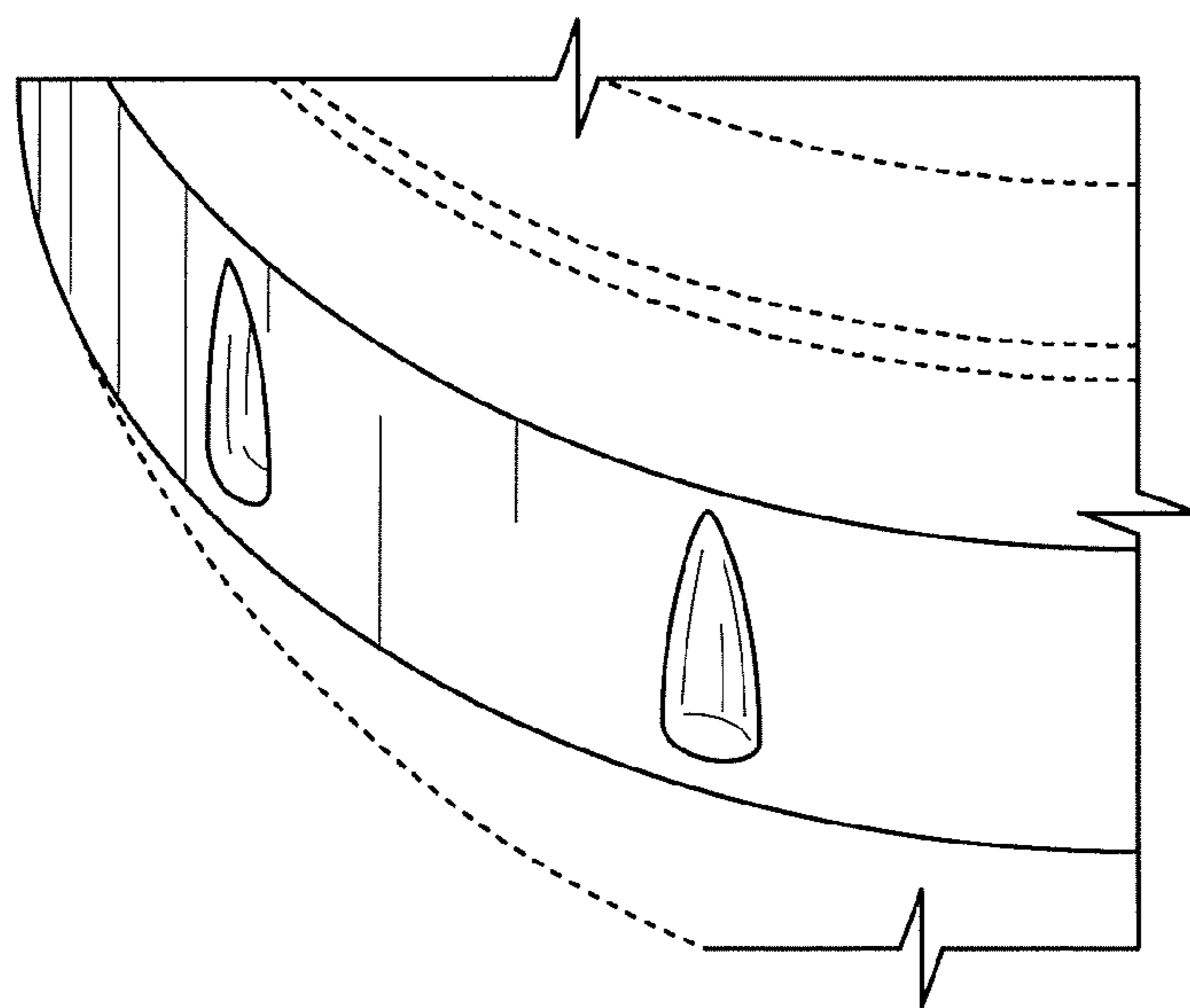


FIG. 8

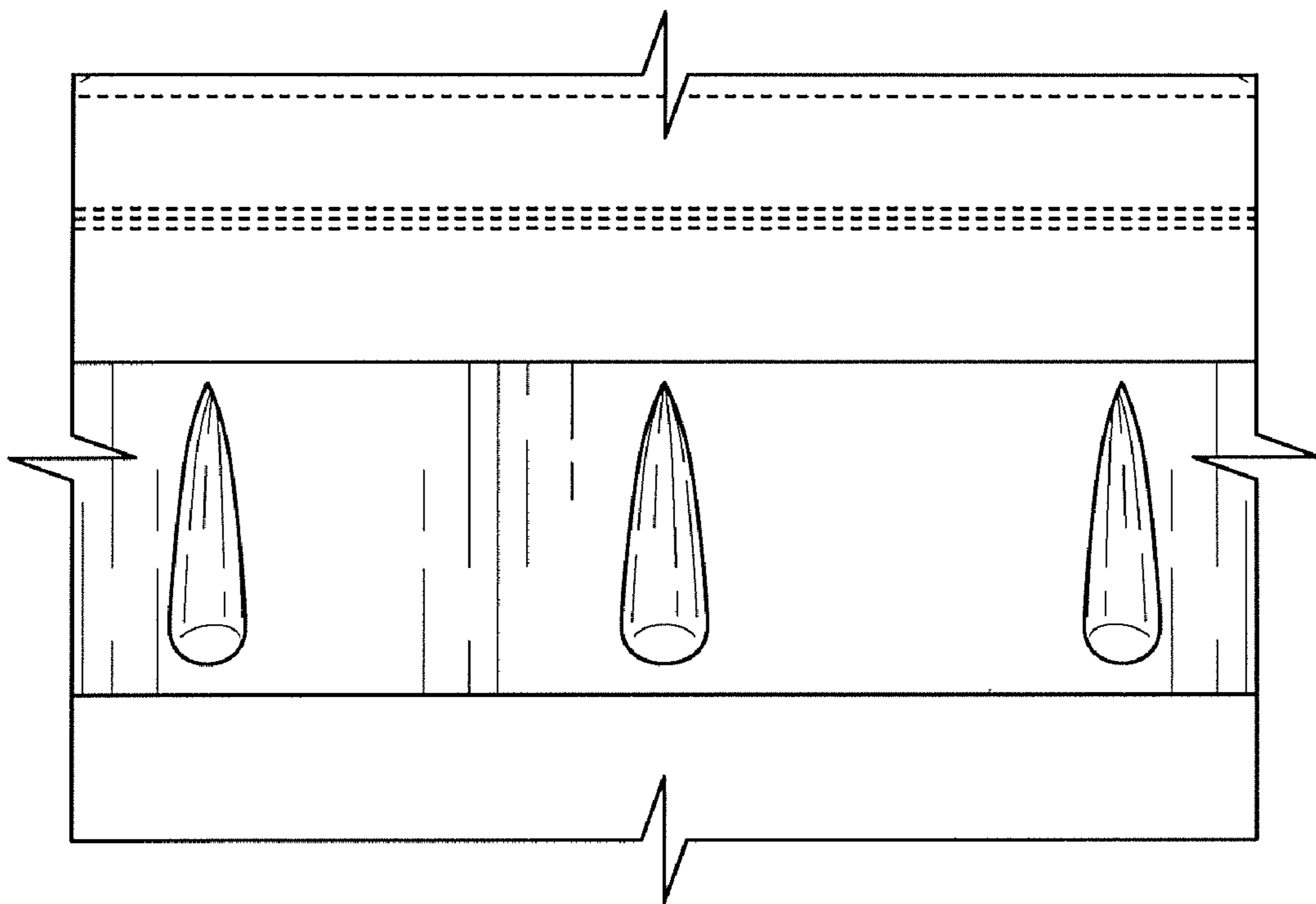


FIG. 9