

US00D628670S

(12) **United States Design Patent**  
**McPherson**

(10) **Patent No.:** **US D628,670 S**

(45) **Date of Patent:** **\*\* Dec. 7, 2010**

(54) **ARCHERY BOWSTRING DAMPER**

D346,423 S *	4/1994	Kitagawa	.....	D22/134
6,237,584 B1	5/2001	Sims		
6,679,242 B1	1/2004	Martin		
6,761,158 B2	7/2004	Wright		
D584,134 S *	1/2009	Lee	.....	D8/367

(76) Inventor: **Mathew A. McPherson**, 19055 Incline Rd., Route 2, P.O. Box 58, Norwalk, WI (US) 54648

(\*\*) Term: **14 Years**

\* cited by examiner

(21) Appl. No.: **29/351,342**

*Primary Examiner*—T. Chase Nelson

*Assistant Examiner*—Michael A Pratt

(22) Filed: **Dec. 3, 2009**

(74) *Attorney, Agent, or Firm*—Vidas, Arrett & Steinkraus, P.A.

(51) **LOC (9) Cl.** ..... **22-01**

(52) **U.S. Cl.** ..... **D22/107; D22/199**

(58) **Field of Classification Search** ..... D22/107, D22/199; 248/211–215, 227.1, 269, 303, 248/322, 449, 621, 692; 224/269, 449, 621, 224/666; D8/367, 368, 370; D11/208; 24/359, 24/369

(57) **CLAIM**

The ornamental design for an archery bowstring damper, as shown and described.

See application file for complete search history.

**DESCRIPTION**

FIG. 1 is a perspective view of an archery bowstring damper.

FIG. 2 is a side view of an archery bowstring damper.

FIG. 3 is a rear view of an archery bowstring damper.

FIG. 4 is a front view of an archery bowstring damper.

FIG. 5 is a top plan view of an archery bowstring damper; and,

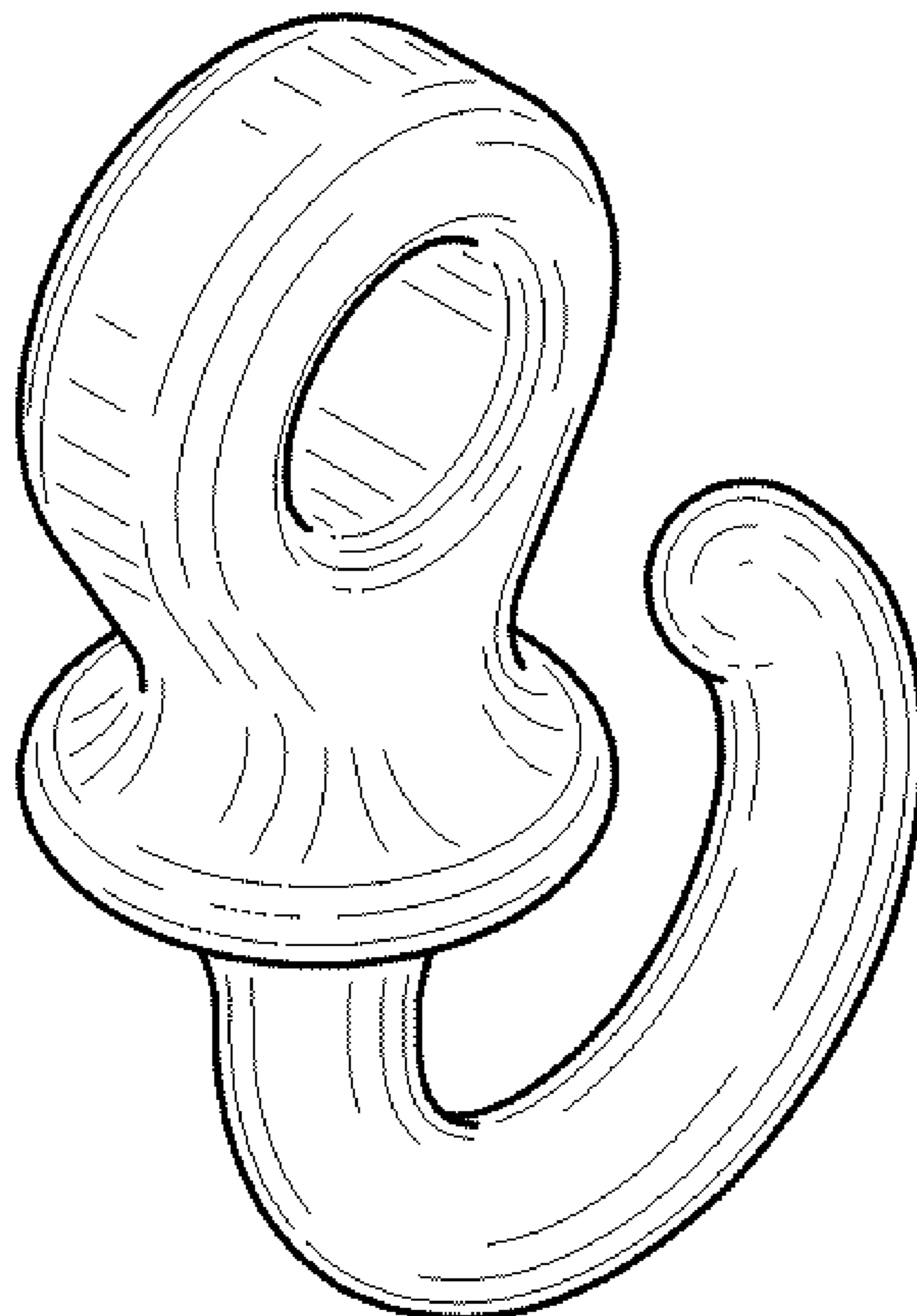
FIG. 6 is a bottom view of an archery bowstring damper.

(56) **References Cited**

**U.S. PATENT DOCUMENTS**

D27,931 S *	12/1897	Eaton	.....	D11/208
D33,108 S *	8/1900	Eaton	.....	D11/208
3,612,029 A	10/1971	Carroll et al.		
4,080,951 A	3/1978	Bateman, III		
5,016,604 A	5/1991	Tilby		

**1 Claim, 1 Drawing Sheet**



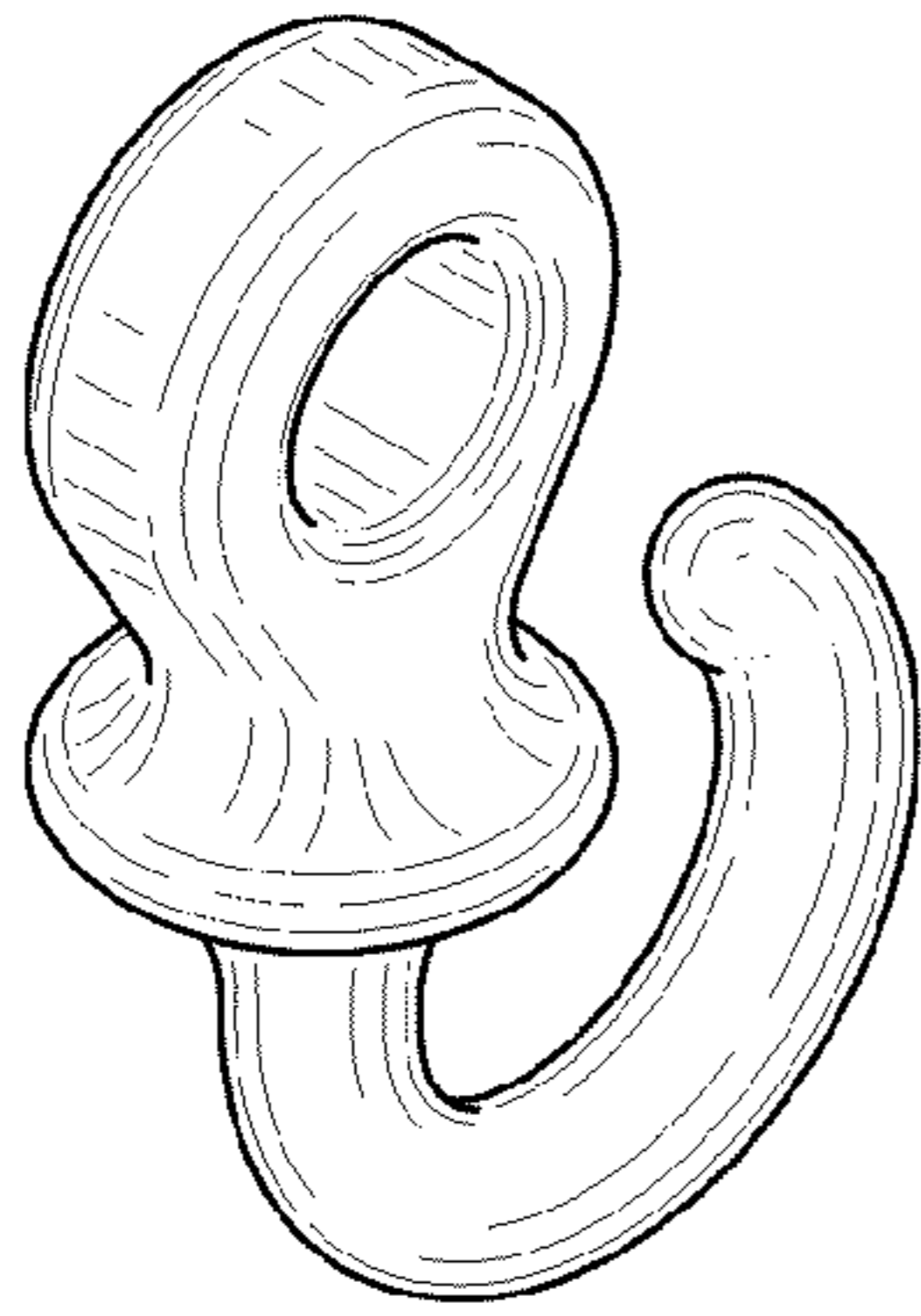


FIG. 1

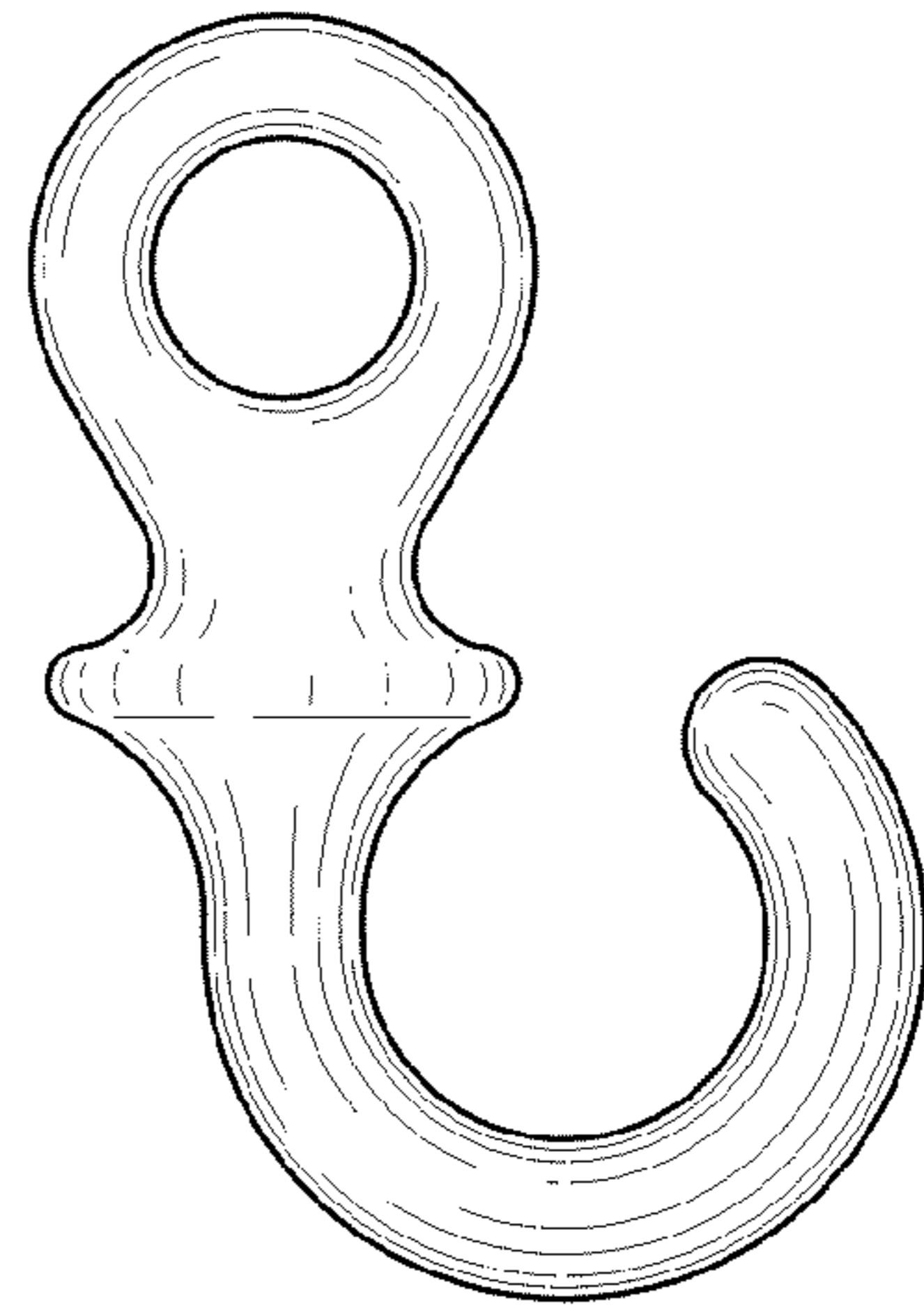


FIG. 2

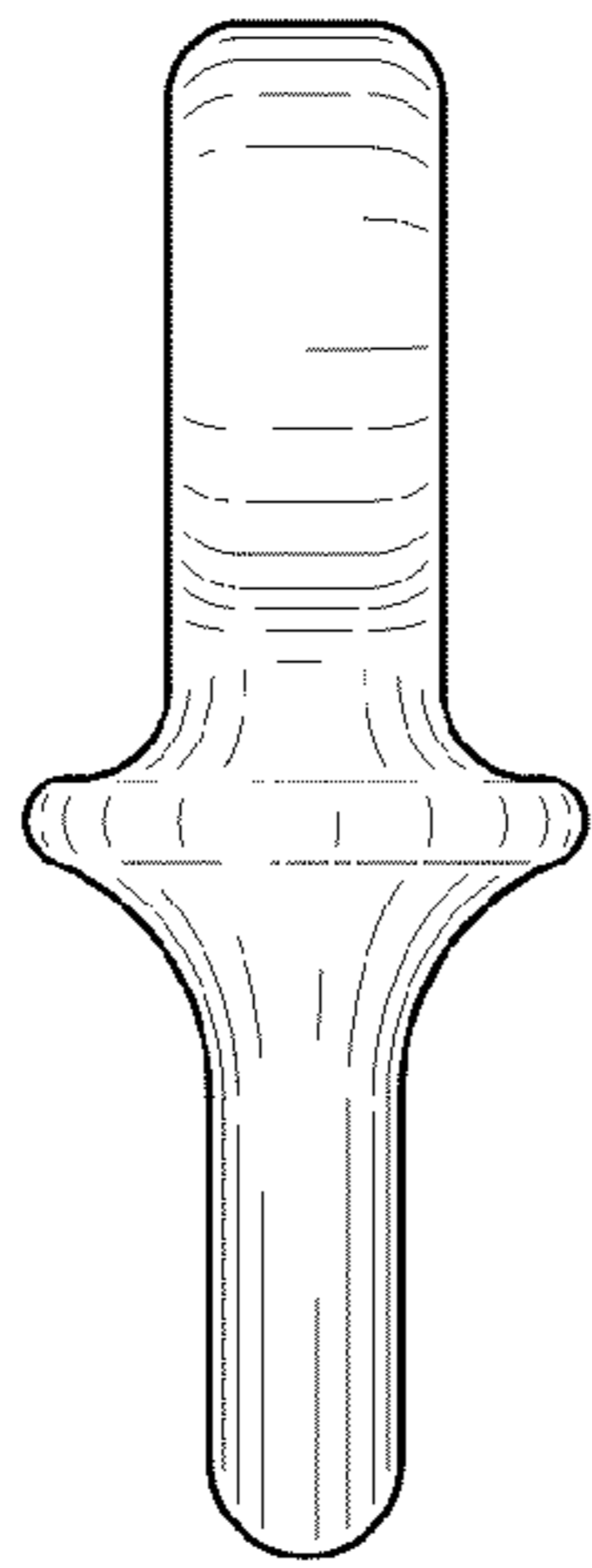


FIG. 3

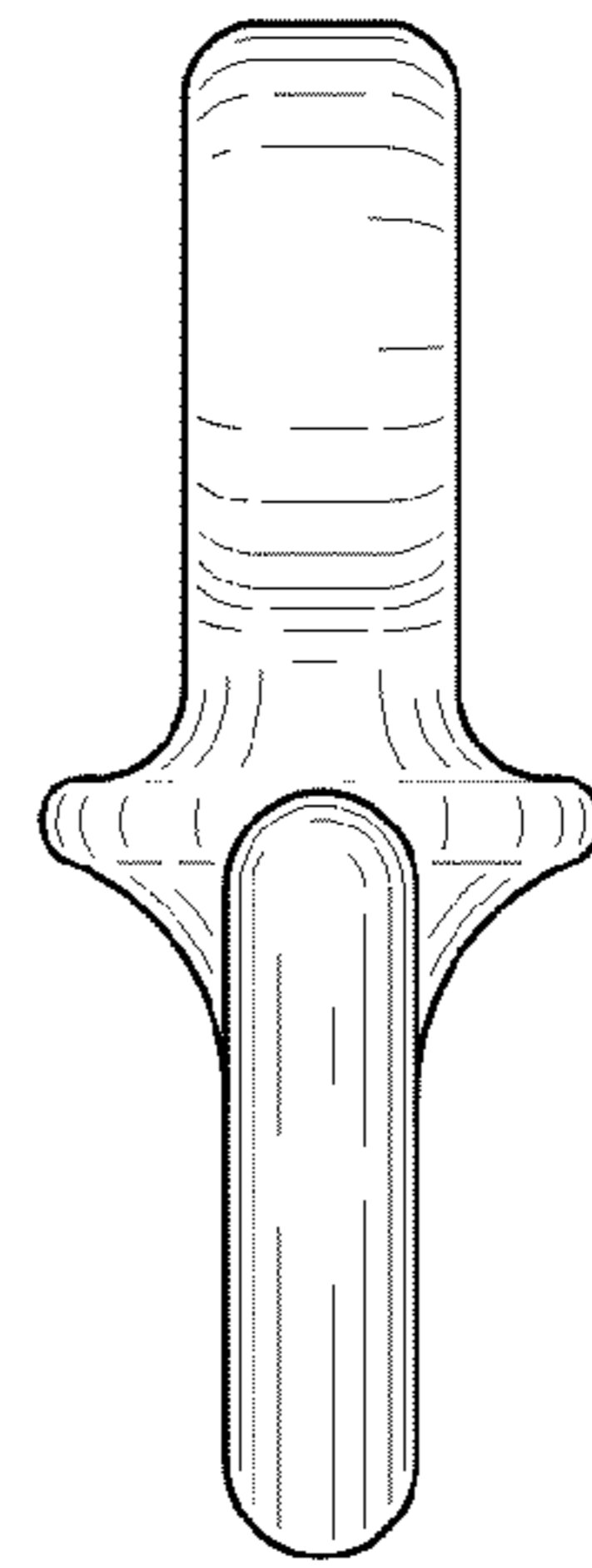


FIG. 4

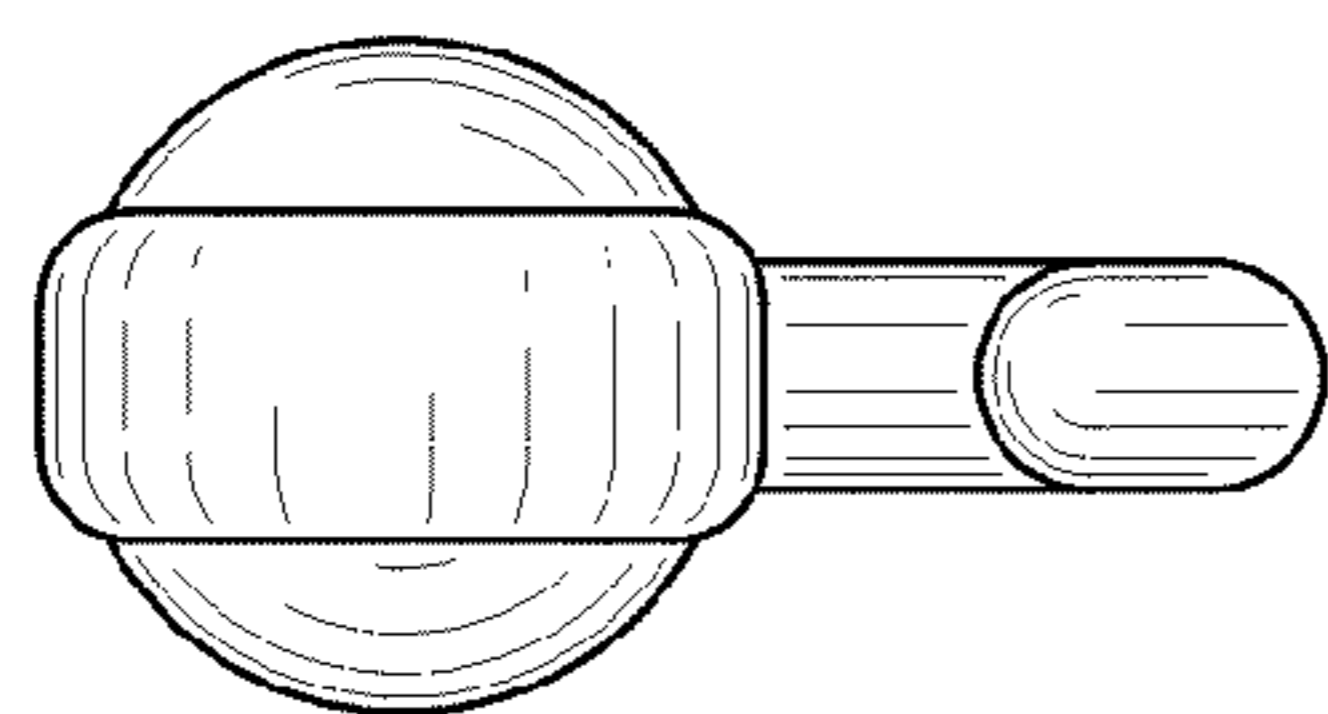


FIG. 5

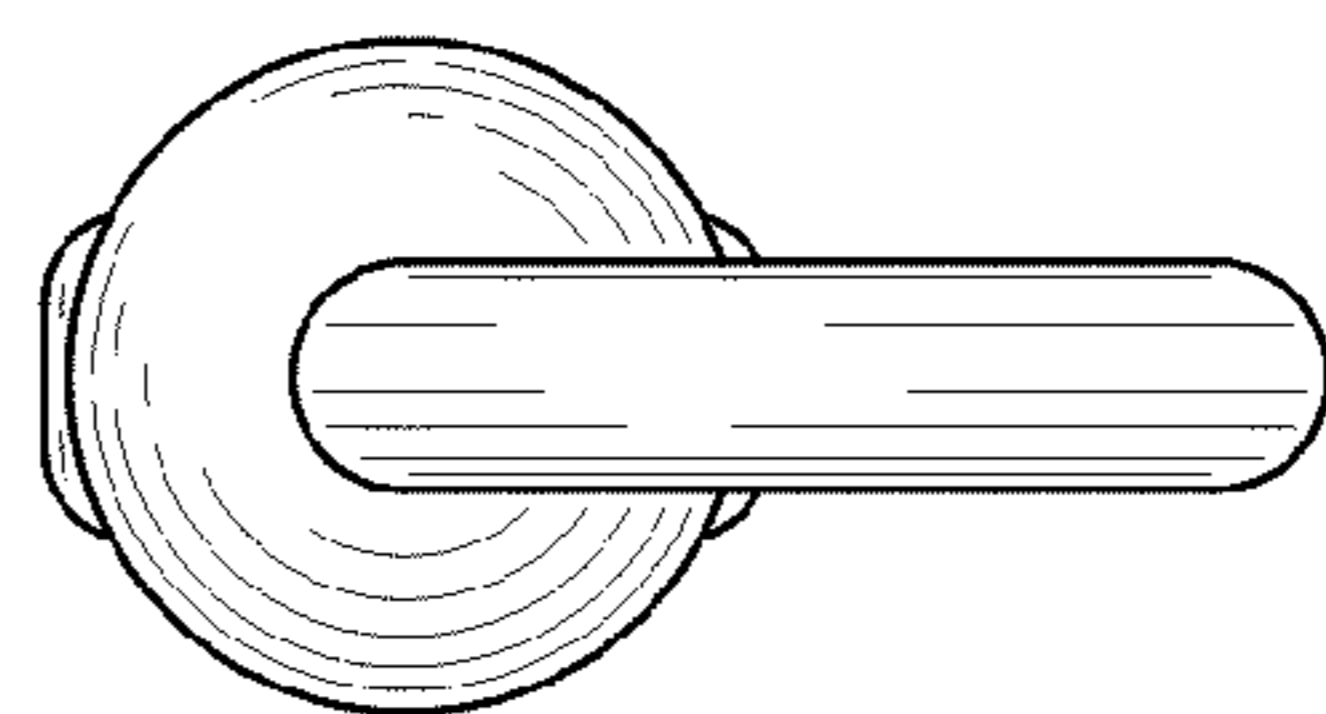


FIG. 6