



US00D628664S

(12) **United States Design Patent**  
**Dewberry**

(10) **Patent No.:** **US D628,664 S**  
(45) **Date of Patent:** **\*\* Dec. 7, 2010**

(54) **GOLF TEE**

(76) Inventor: **Rob Dewberry**, 204 Dartford Dr.,  
Madison, AL (US) 35756

(\*\*) Term: **14 Years**

(21) Appl. No.: **29/360,871**

(22) Filed: **Apr. 30, 2010**

(51) **LOC (9) Cl.** ..... **21-02**

(52) **U.S. Cl.** ..... **D21/718**

(58) **Field of Classification Search** ..... D21/715-719,  
D21/789-796, 572-575; 473/386-403; D19/42;  
D27/148

See application file for complete search history.

(56) **References Cited**

U.S. PATENT DOCUMENTS

D55,565 S *	6/1920	Jones	.....	D19/42
D86,262 S *	2/1932	Nixon	.....	D21/718
D201,890 S *	8/1965	Dreyfus	.....	D21/718
D268,438 S *	3/1983	Morford	.....	D21/718
D392,704 S *	3/1998	Bowman	.....	D21/718
5,930,935 A *	8/1999	Griffin	.....	42/105
D430,913 S *	9/2000	Lovelace	.....	D21/718
D432,605 S *	10/2000	Dennis	.....	D21/718
6,925,743 B1 *	8/2005	DiGiovanna	.....	42/71.01

FOREIGN PATENT DOCUMENTS

EP 1300179 A1 \* 4/2003

GB	2399295 A *	9/2004
JP	07031701 A *	2/1995
JP	10108930 A *	4/1998
JP	2005253556 A *	9/2005

\* cited by examiner

*Primary Examiner*—Catherine Tuttle

(74) *Attorney, Agent, or Firm*—QuickPatents, Inc.; Kevin Prince

(57) **CLAIM**

The ornamental design for a golf tee, as shown and described.

**DESCRIPTION**

FIG. 1 is a perspective view of the golf tee showing my new design, shown in an upended position relative to the other figures;

FIG. 2 is a front elevational view thereof;

FIG. 3 is a rear elevational view thereof;

FIG. 4 is a right-side elevational view thereof;

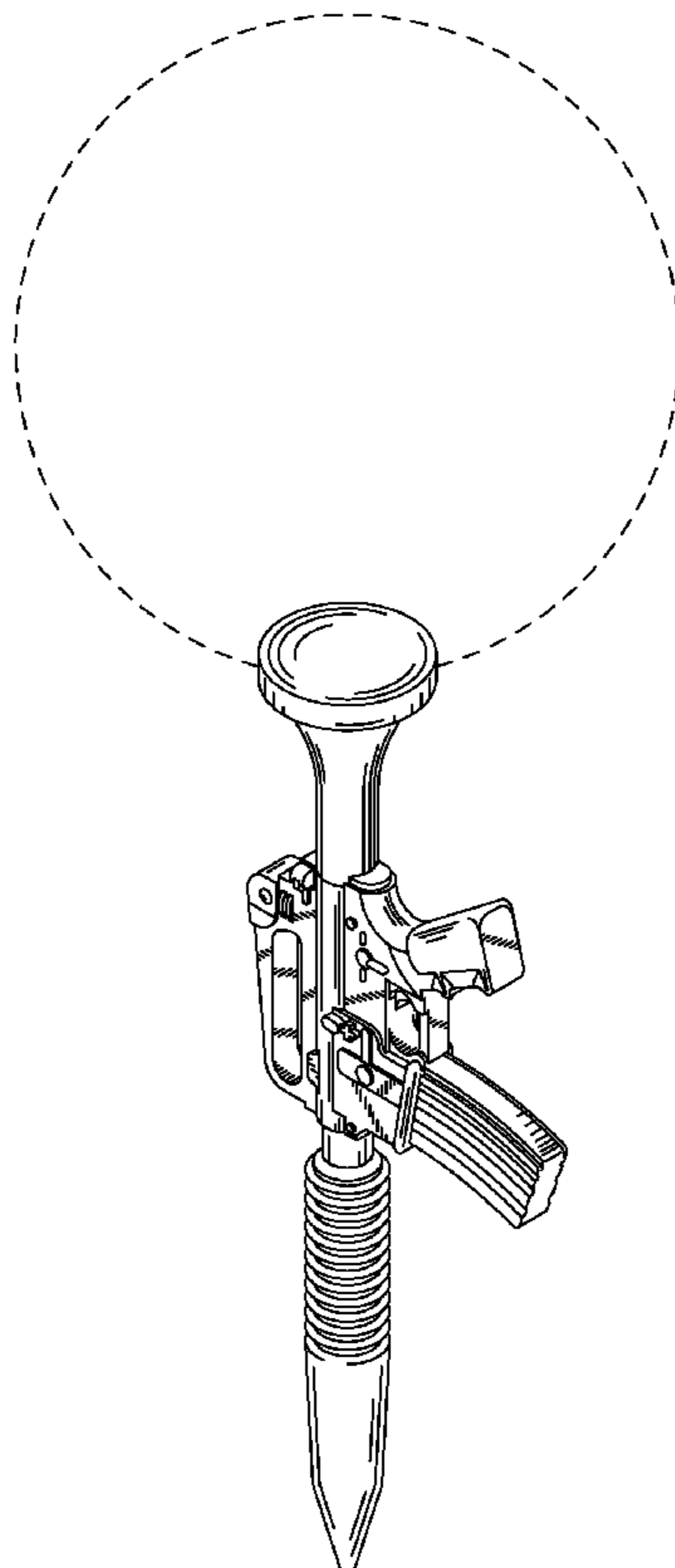
FIG. 5 is a left-side elevational view thereof;

FIG. 6 is a top plan view thereof; and,

FIG. 7 is a bottom plan view thereof.

The broken lines showing a golf ball in FIG. 1 are included for the purpose of illustrating the invention in use, and form no part of the claimed design.

**1 Claim, 2 Drawing Sheets**



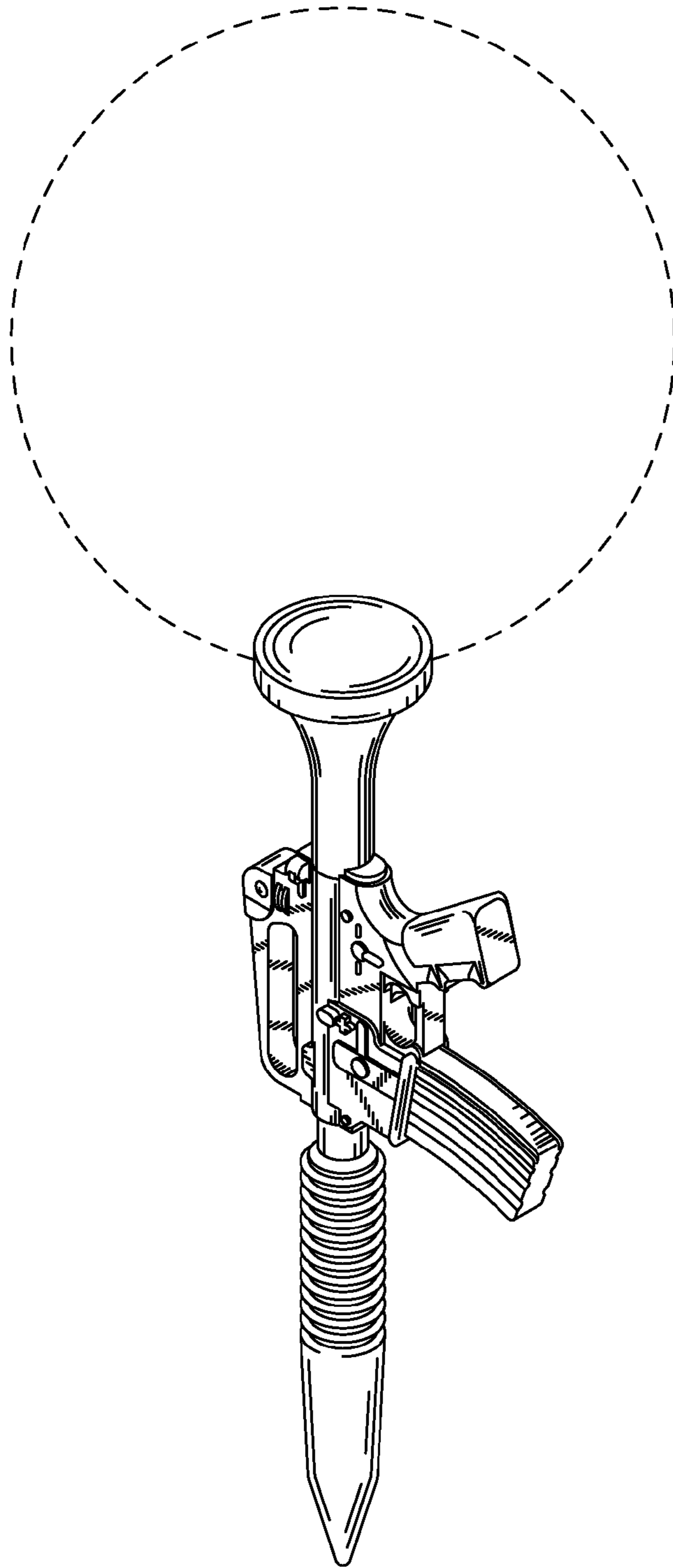


FIG. 1

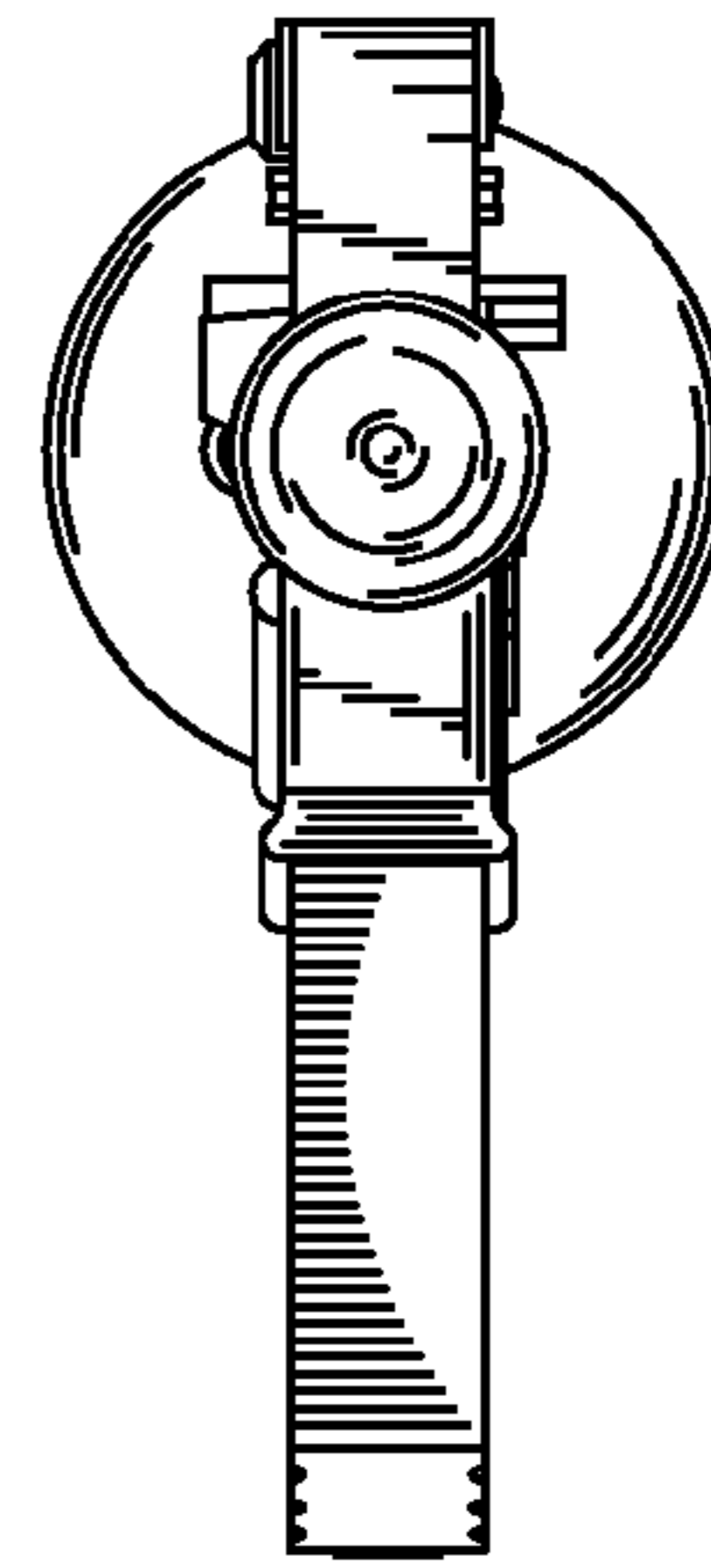


FIG. 2

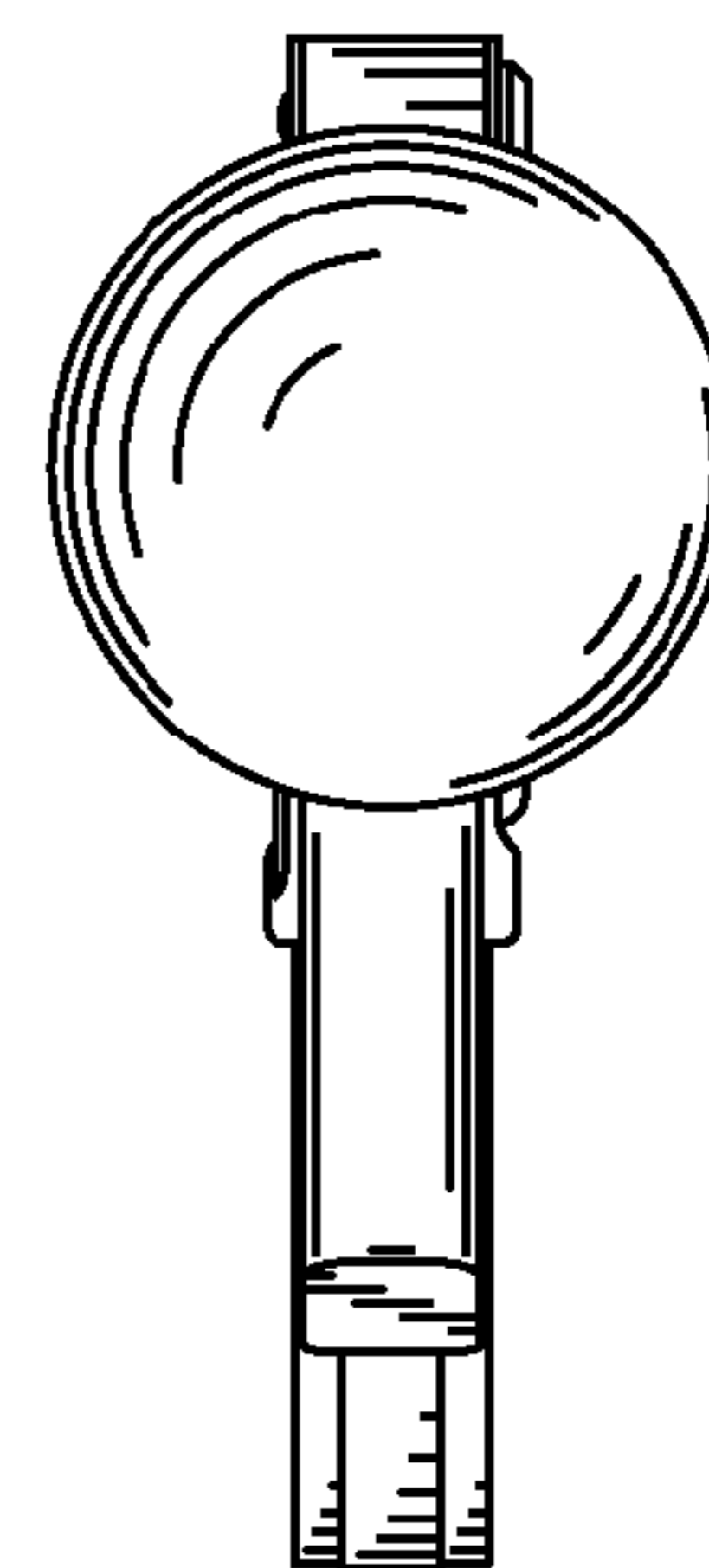


FIG. 3

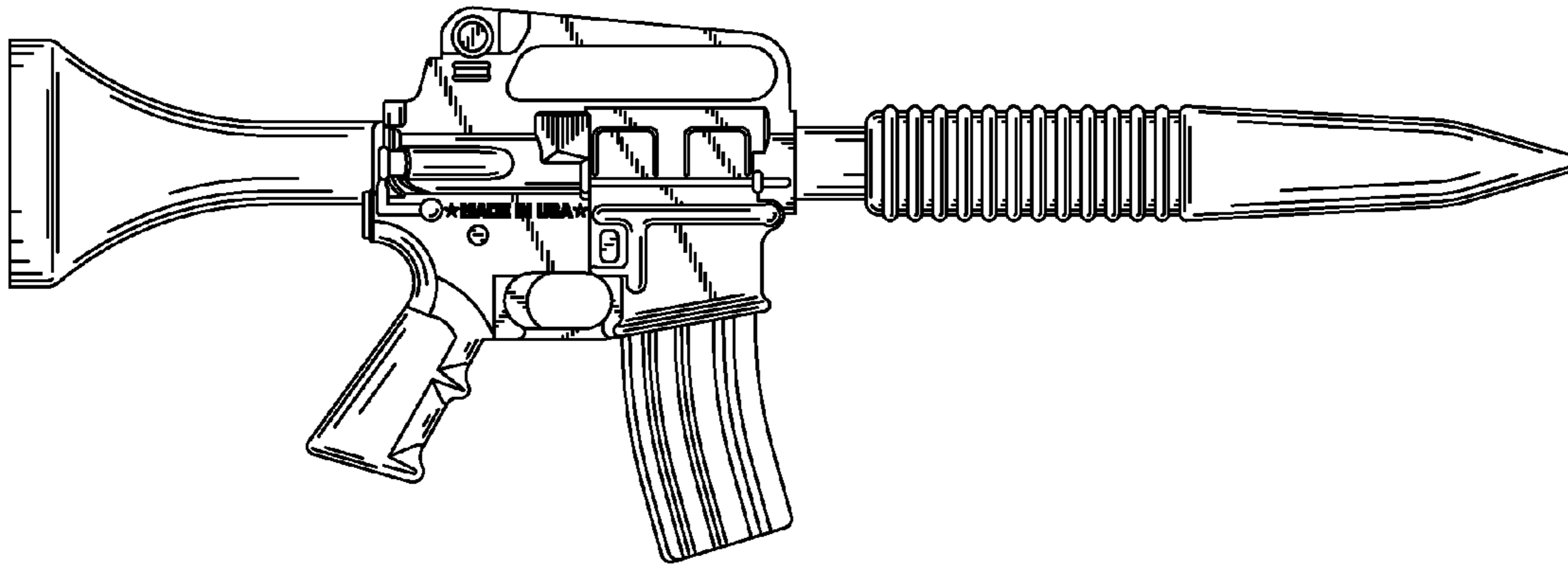


FIG. 4

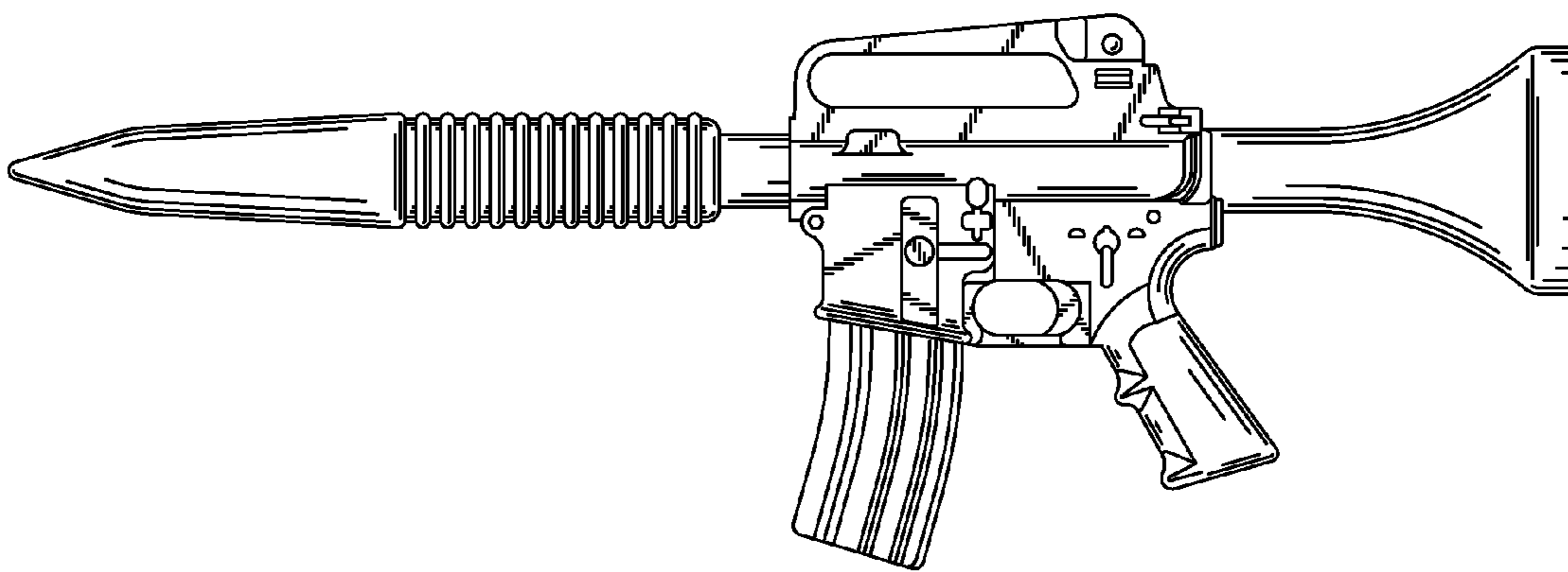


FIG. 5

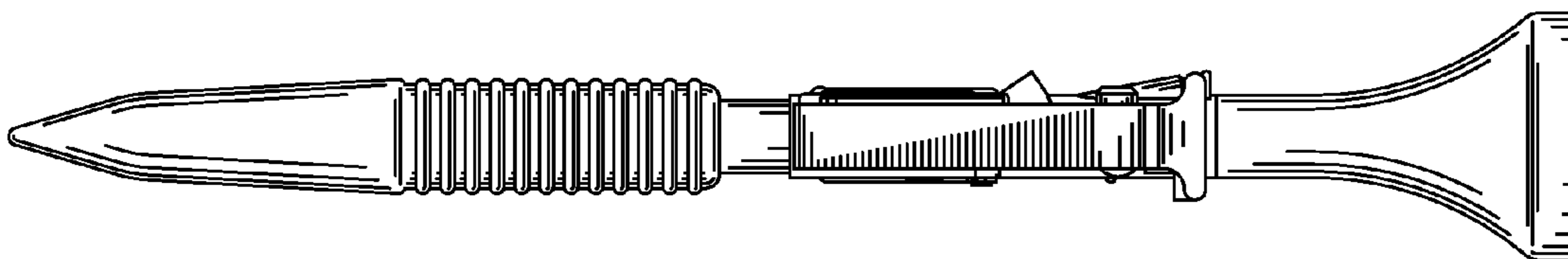


FIG. 6

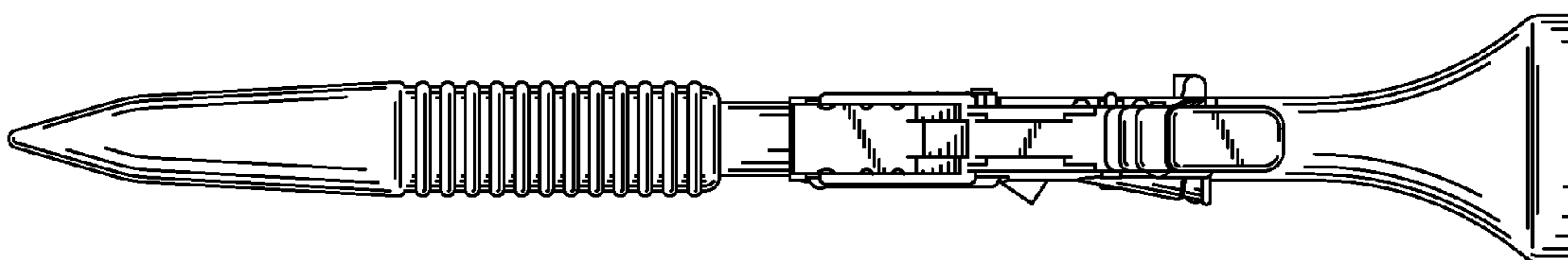


FIG. 7