

US00D628660S

(12) **United States Design Patent**
Verheem

(10) **Patent No.:** **US D628,660 S**
(45) **Date of Patent:** **** Dec. 7, 2010**

- (54) **EXERCISE DEVICE**
- (75) Inventor: **Johann B. Verheem**, Carlsbad, CA (US)
- (73) Assignee: **Fitness IQ LLC**, Vista, CA (US)
- (**) Term: **14 Years**
- (21) Appl. No.: **29/341,461**
- (22) Filed: **Aug. 5, 2009**

6,099,444	A	8/2000	Domenge	
6,179,758	B1	1/2001	Domenge	
6,261,211	B1 *	7/2001	Suarez et al.	482/107
D456,705	S *	5/2002	Vijn	D9/668
6,500,102	B1	12/2002	Domenge	
7,037,245	B2 *	5/2006	Burwell	482/108
7,048,678	B2	5/2006	Harms et al.	
7,175,575	B1	2/2007	Dantolen	
D590,458	S *	4/2009	Johnson et al.	D21/694
2004/0087419	A1	5/2004	Ware et al.	
2004/0198567	A1 *	10/2004	Landfair	482/106
2006/0223682	A1	10/2006	Joe	

Related U.S. Application Data

- (63) Continuation of application No. 12/508,921, filed on Jul. 24, 2009.

- (51) **LOC (9) Cl.** **21-02**
- (52) **U.S. Cl.** **D21/681**
- (58) **Field of Classification Search** D21/662,
D21/680-684, 692, 694; 482/44-46, 57,
482/98, 105-108, 110-111, 114-115, 148
See application file for complete search history.

(56) **References Cited**

U.S. PATENT DOCUMENTS

818,242	A	12/1905	Geisel	
2,528,213	A	10/1950	Dantolan	
3,006,646	A	10/1961	Nanni	
3,544,106	A	12/1970	Barrett	
3,545,121	A	12/1970	Misko	
3,761,083	A	9/1973	Buchner	
4,154,018	A	5/1979	Churchman	
4,623,146	A	11/1986	Jackson	
4,775,149	A	10/1988	Wilson	
4,900,017	A *	2/1990	Bold, Jr.	482/132
4,905,992	A *	3/1990	McWain	482/106
4,913,422	A *	4/1990	Elmore et al.	482/106
4,978,122	A	12/1990	Dibowski	
5,046,727	A	9/1991	Wilkinson et al.	
5,312,308	A	5/1994	Hamilton	
5,334,118	A	8/1994	Dantolan	
5,474,511	A	12/1995	Dantolan	
5,823,922	A	10/1998	Eckmann	
5,871,423	A *	2/1999	Pruchnik	482/110
5,911,651	A *	6/1999	Liu	482/108

(Continued)

FOREIGN PATENT DOCUMENTS

CN 201342210 Y 11/2009

(Continued)

Primary Examiner—Susan E Krakower
(74) *Attorney, Agent, or Firm*—The Nath Law Group

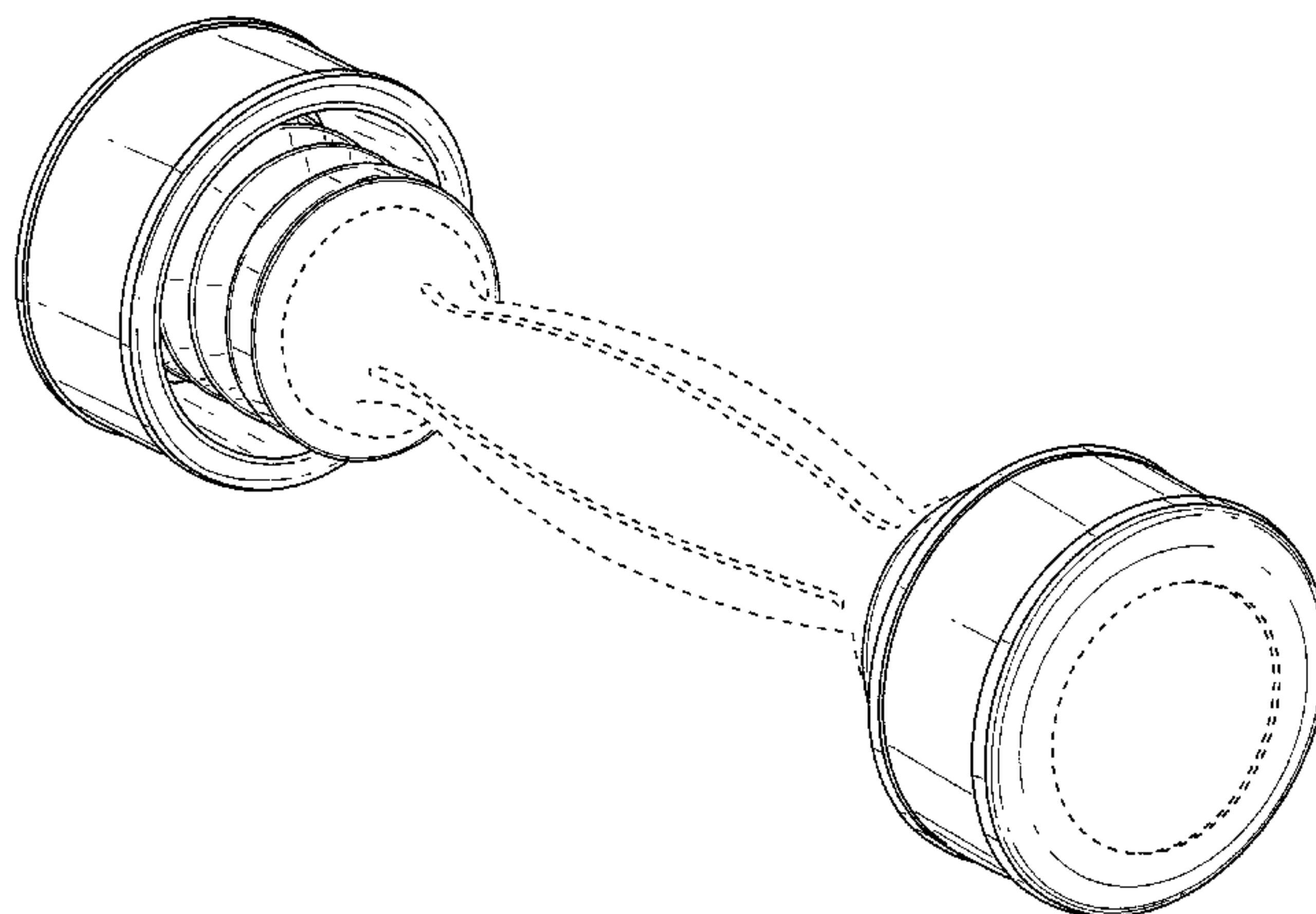
(57) **CLAIM**

The ornamental design for an exercise device, as shown and described.

DESCRIPTION

FIG. 1 is a perspective view of an exercise device showing my new design;
FIG. 2 is a front elevation view thereof; and,
FIG. 3 is a side elevation view thereof.
The broken lines illustrate environmental elements of an exercise device that form no part of the claimed design.

1 Claim, 3 Drawing Sheets



US D628,660 S

Page 2

U.S. PATENT DOCUMENTS

2008/0220952 A1* 9/2008 Yang 482/107
2009/0192027 A1* 7/2009 Parker 482/108

FOREIGN PATENT DOCUMENTS

GB 1362798 8/1994

JP	9192262		7/1997
RU	2027456	C1	1/1996
RU	2060042	C1	5/1996
TW	552955		9/2003
TW	M355720	U1	5/2009
TW	M376318	U1	3/2010

* cited by examiner

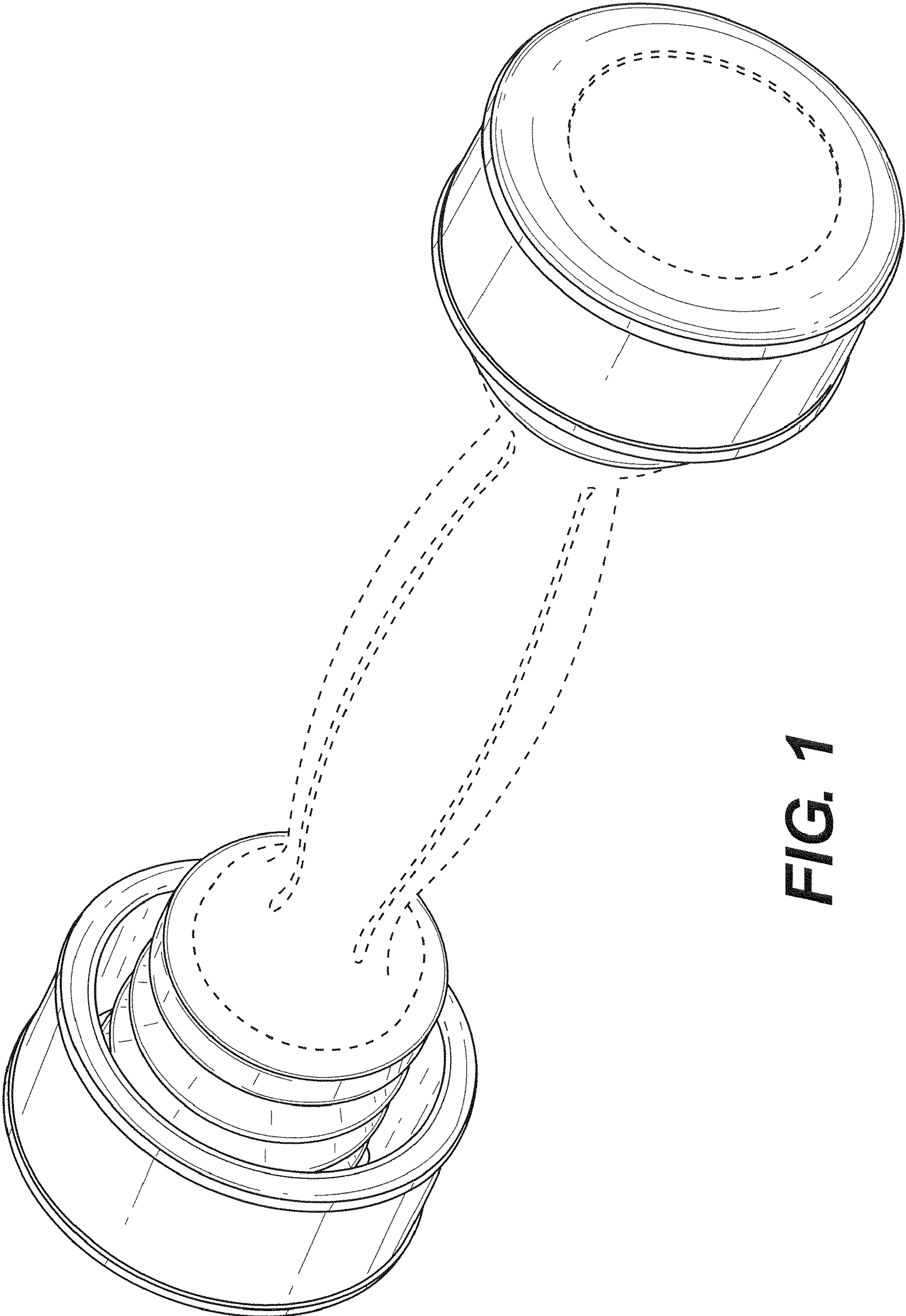


FIG. 1

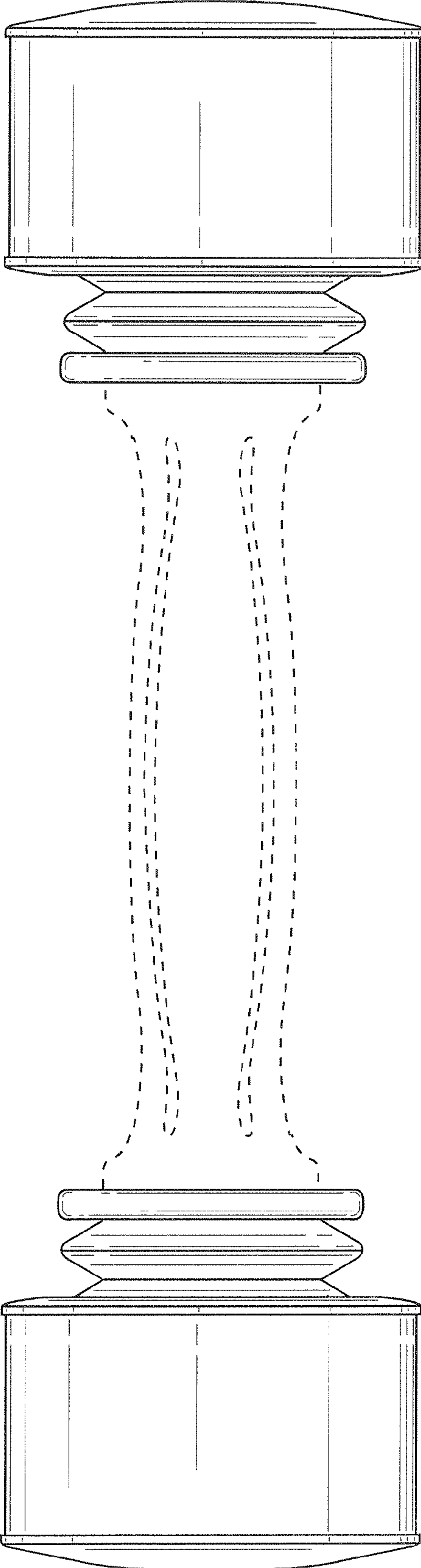


FIG. 2

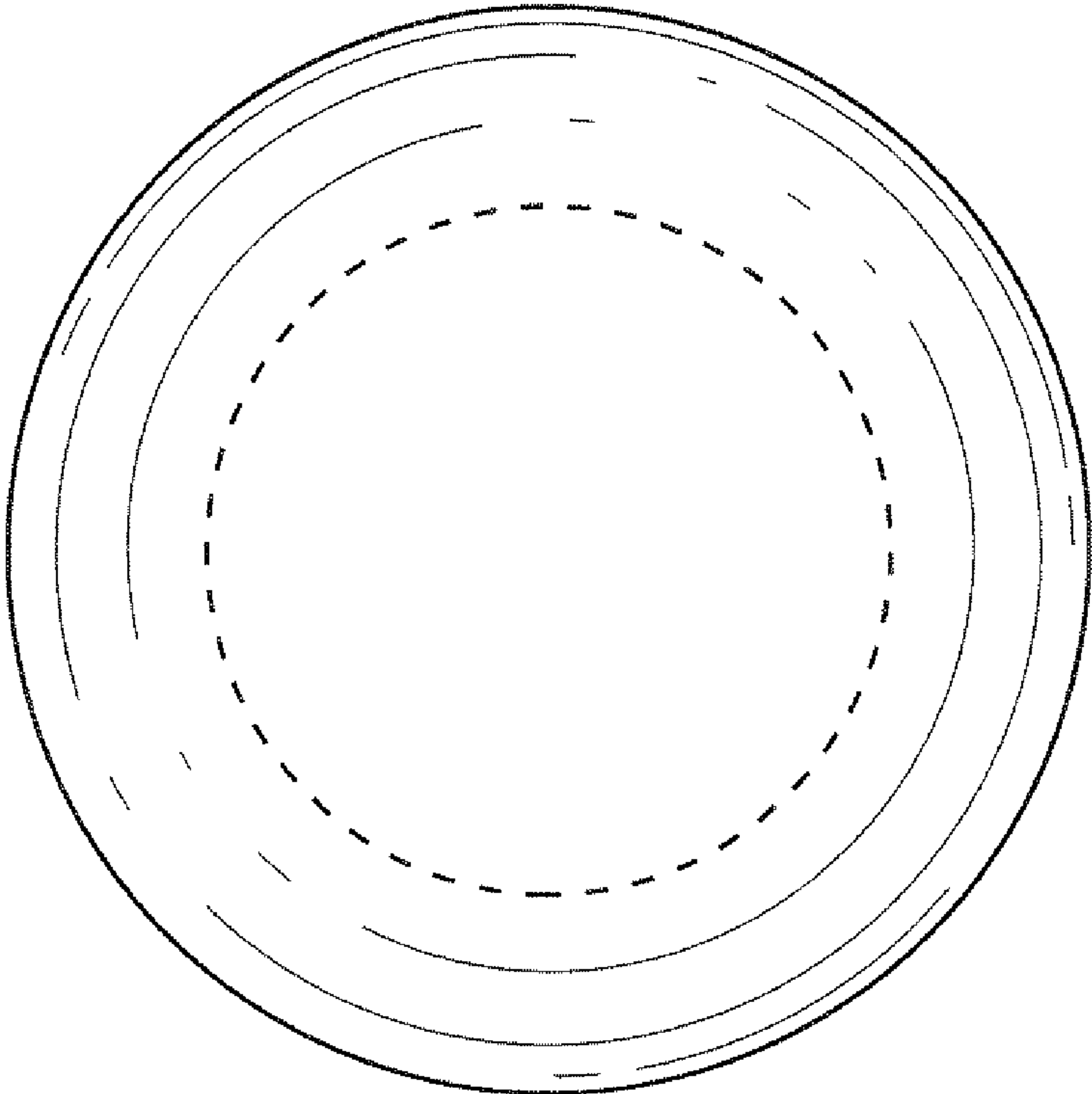


FIG. 3