



US00D628659S

(12) **United States Design Patent**
Burns

(10) **Patent No.:** **US D628,659 S**

(45) **Date of Patent:** **** Dec. 7, 2010**

(54) **BALLOON HOLDER**

(76) Inventor: **Judy K. Burns**, 948 Masonridge Rd., St. Louis, MO (US) 63141

(**) Term: **14 Years**

(21) Appl. No.: **29/350,731**

(22) Filed: **Nov. 23, 2009**

(51) **LOC (9) Cl.** **21-01**

(52) **U.S. Cl.** **D21/453**

(58) **Field of Classification Search** D11/79-81,
D11/84, 99, 103, 108, 115; D20/43; D21/438-440,
D21/453; 446/220-226; 428/7; 40/214
See application file for complete search history.

(56) **References Cited**

U.S. PATENT DOCUMENTS

2,396,906	A	2/1945	Windson	
2,568,389	A	7/1948	Elliot	
2,840,948	A	12/1956	Stickley	
4,661,081	A	4/1987	Basseches	
4,715,841	A	* 12/1987	Nelson et al.	446/222
4,837,059	A	6/1989	Milne	
D329,261	S	9/1992	Pollack	

5,444,607	A	8/1995	Dreyfuss
6,375,534	B1	4/2002	Burns
6,389,652	B1	5/2002	Williams
D529,102	S	9/2006	Sidwell
7,588,477	B2	9/2009	Sidwell

* cited by examiner

Primary Examiner—Sandra Morris

(74) *Attorney, Agent, or Firm*—Grace J. Fishel

(57) **CLAIM**

The ornamental design for a balloon holder, as shown.

DESCRIPTION

FIG. 1 is a perspective view of a balloon holder showing my new design;

FIG. 2 is a top plan view thereof;

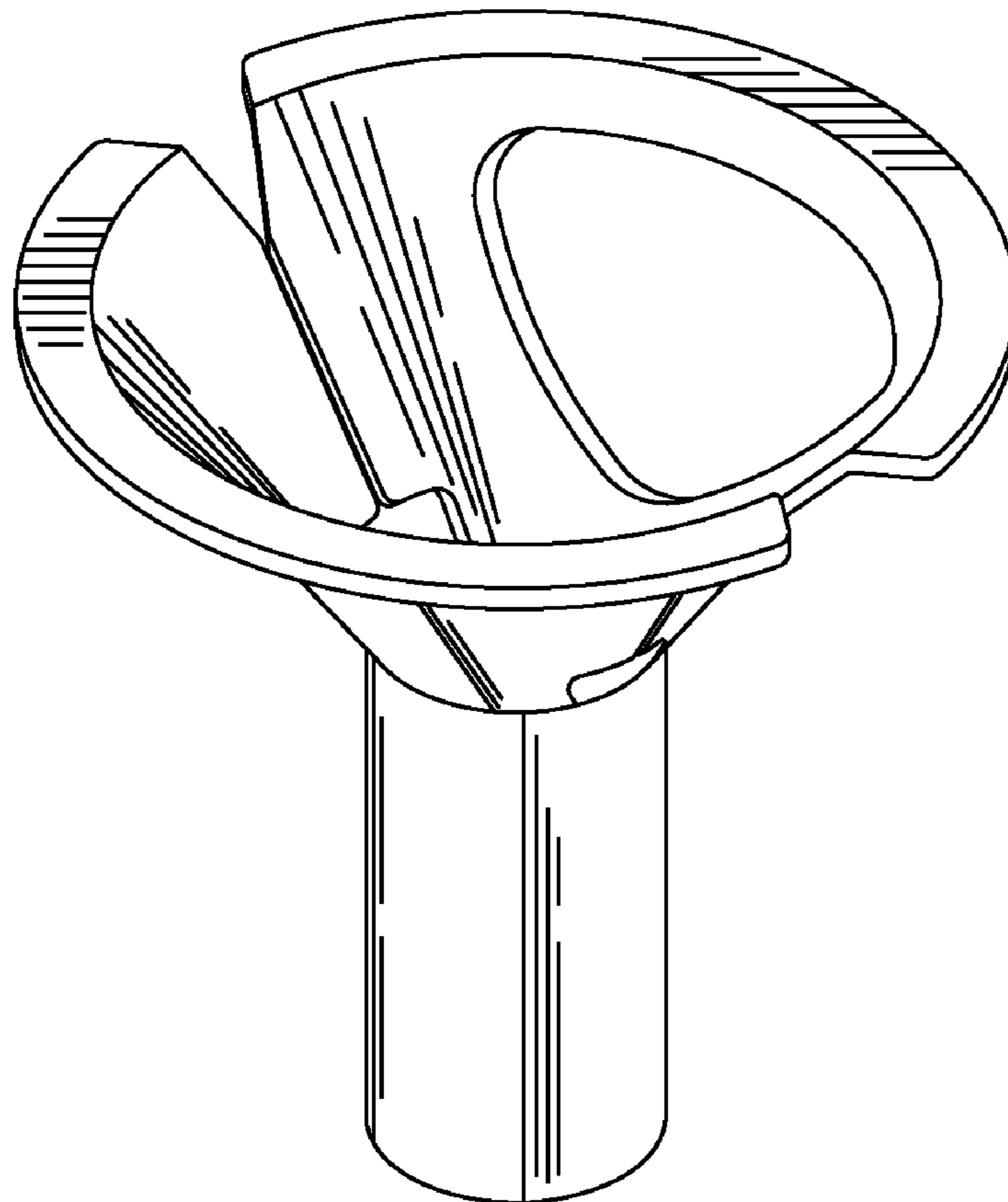
FIG. 3 is a bottom plan view thereof;

FIG. 4 is a rear elevational view thereof;

FIG. 5 is a front elevational view thereof; and,

FIG. 6 is a side elevational view thereof, the opposite side being a mirror image.

1 Claim, 2 Drawing Sheets



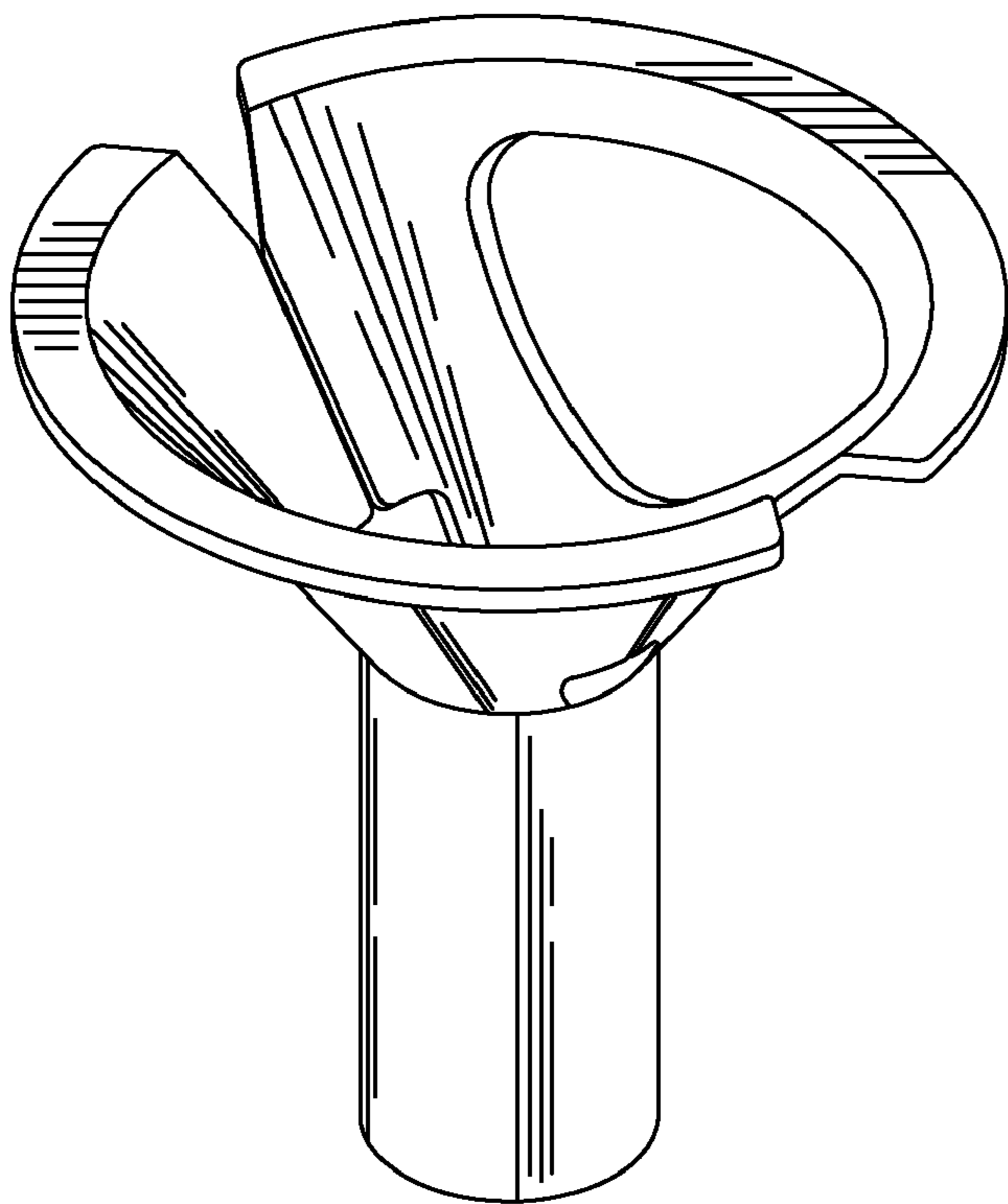


Fig. 1

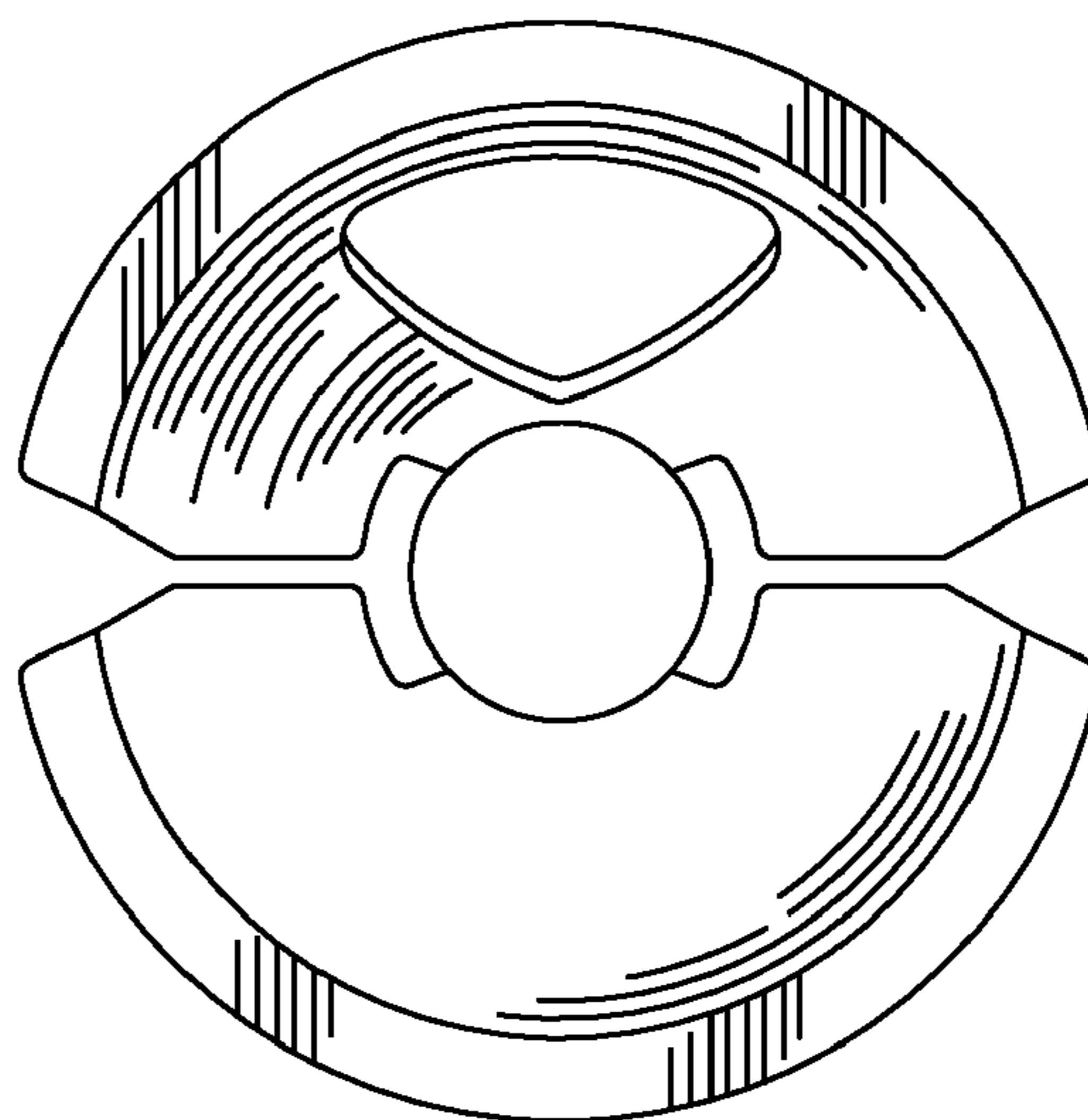


Fig. 2

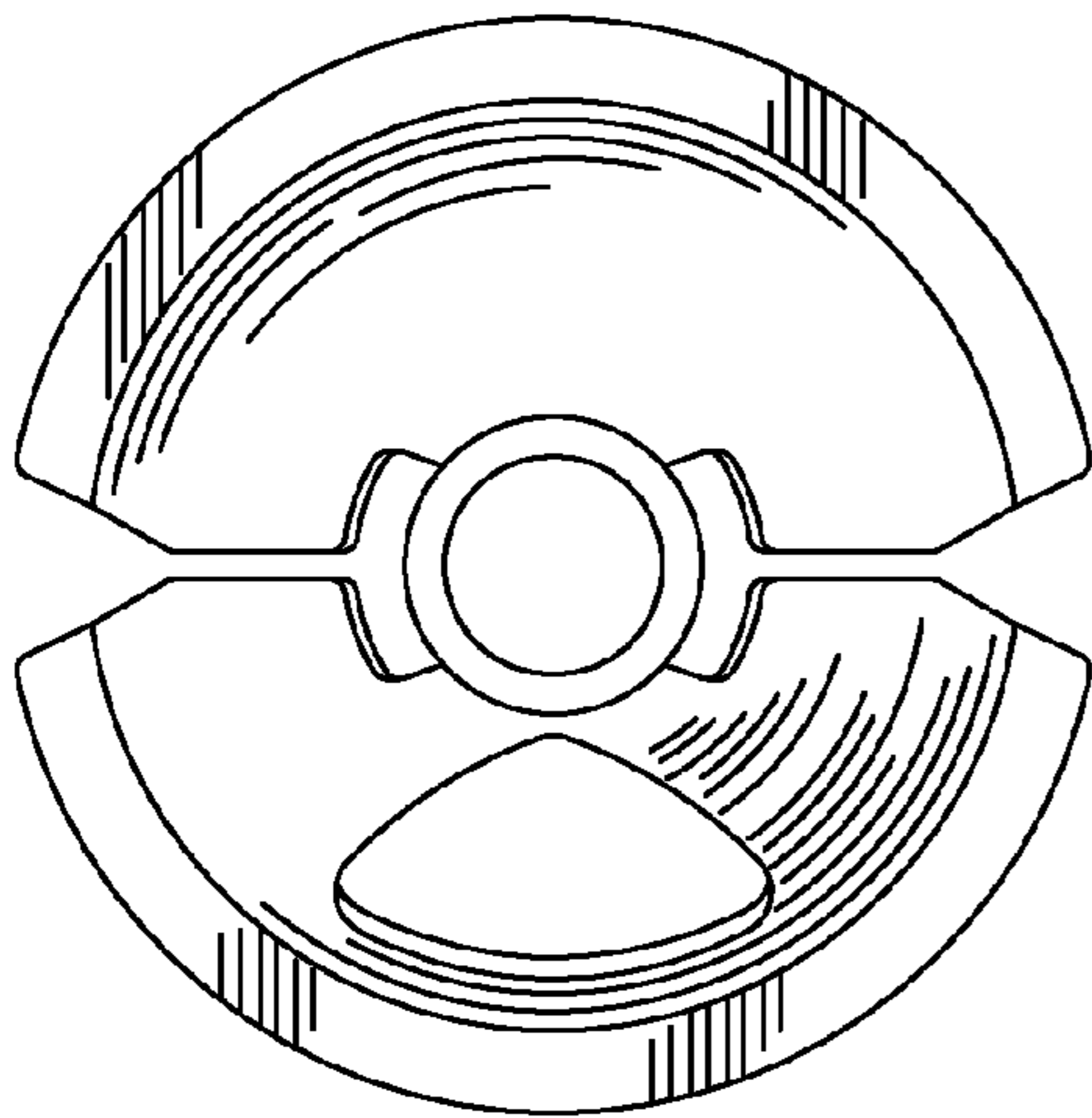


Fig. 3

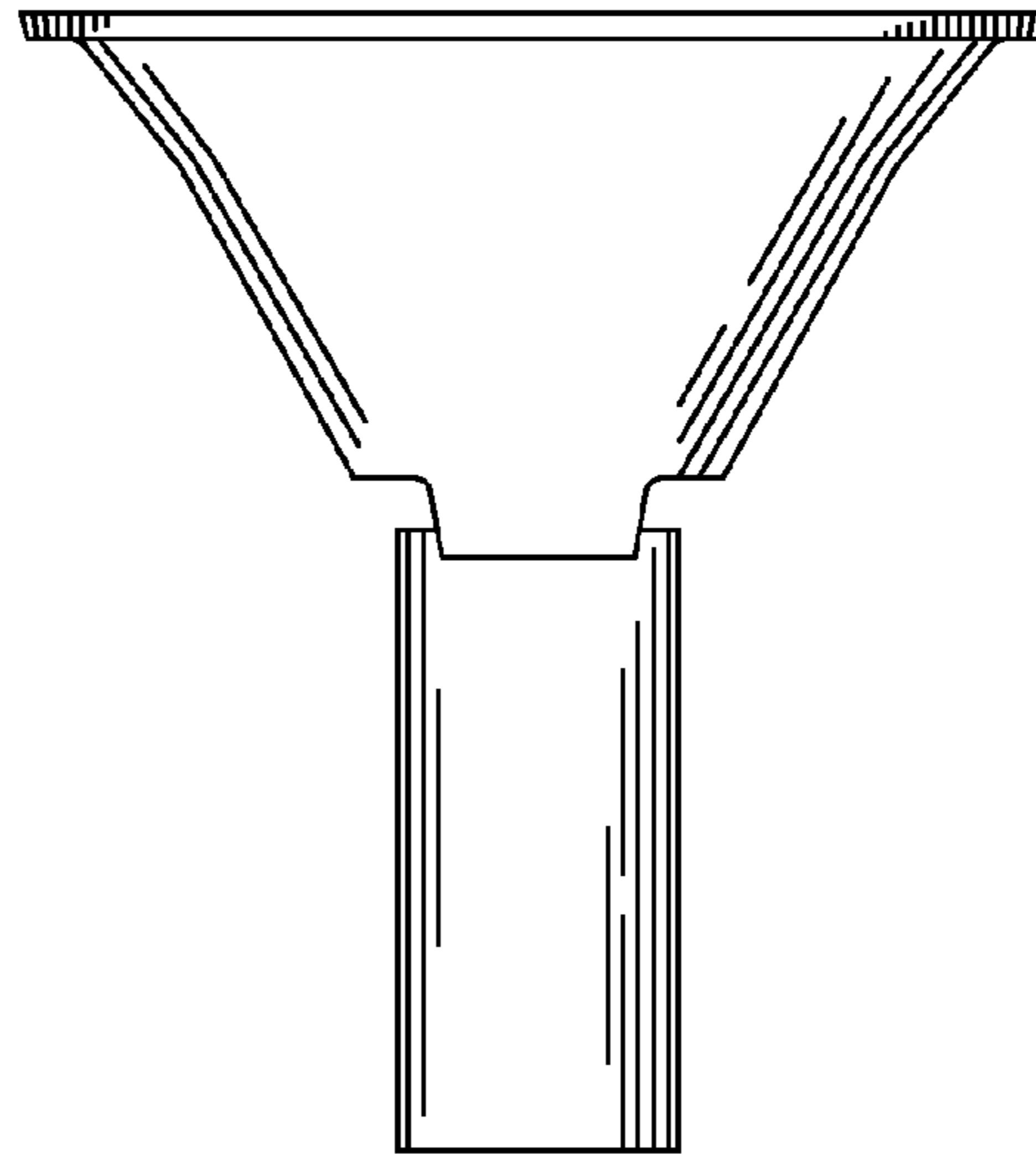


Fig. 4

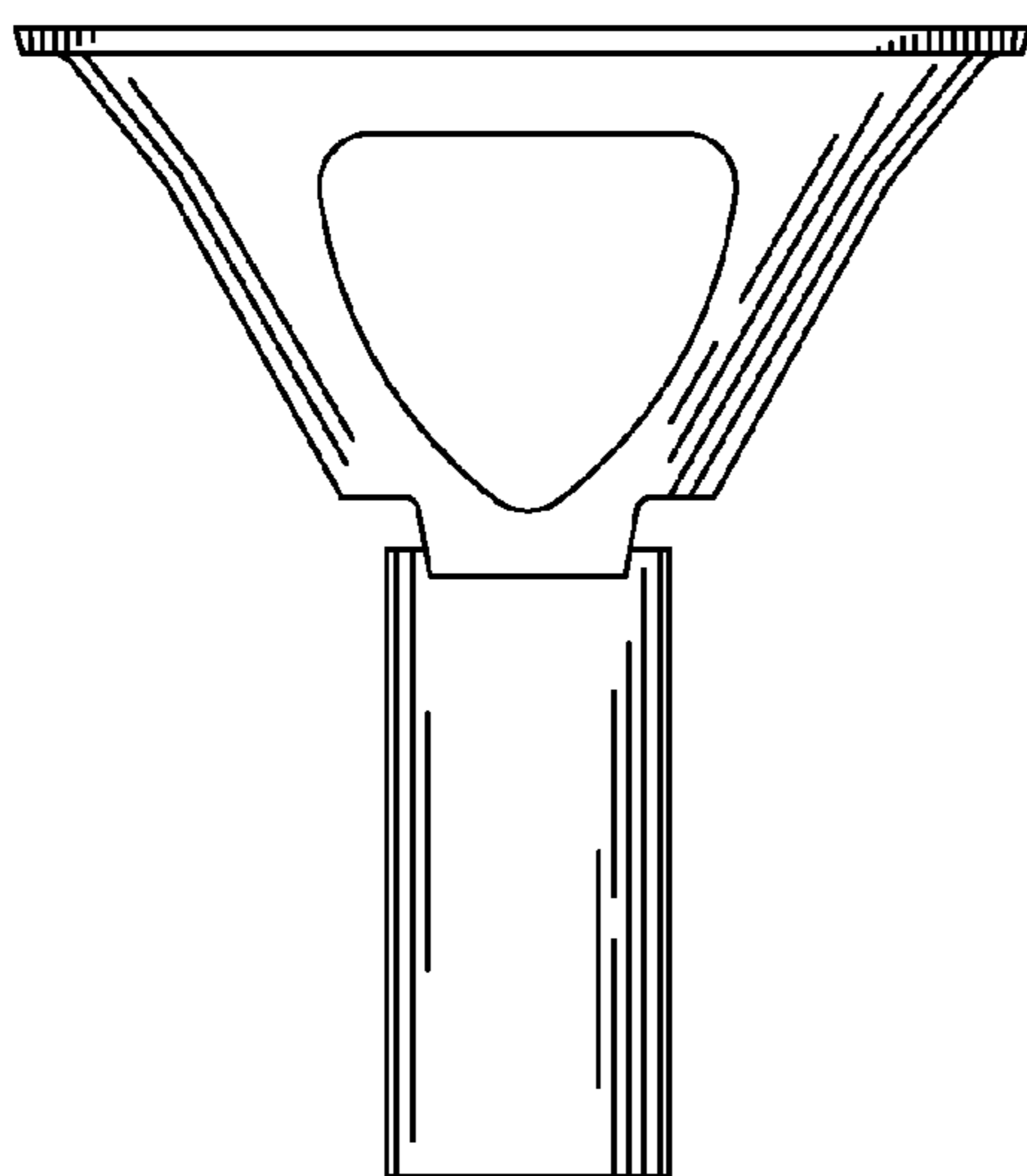


Fig. 5

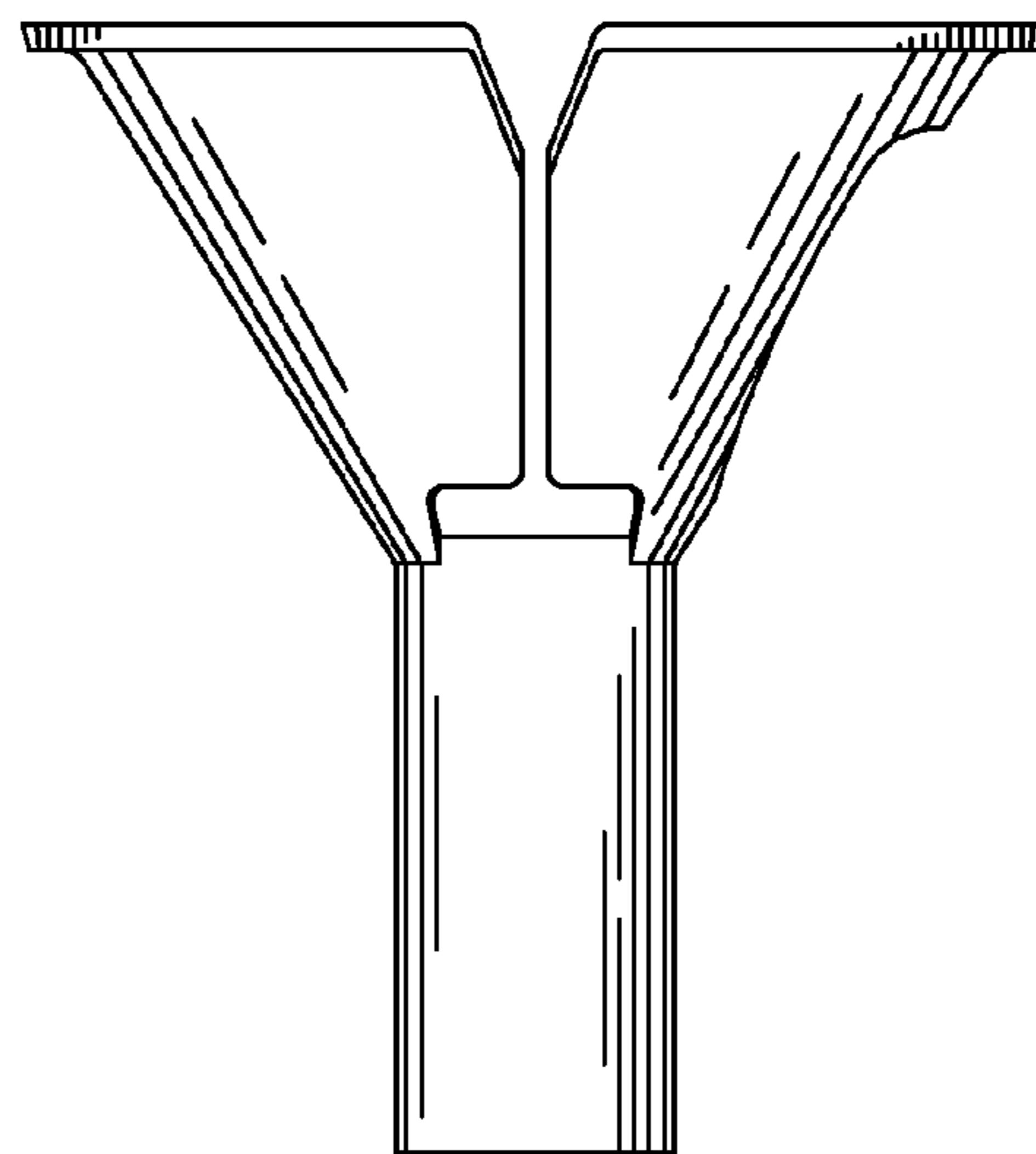


Fig. 6