



US00D628658S

(12) **United States Design Patent**  
**Wurm**

(10) **Patent No.:** **US D628,658 S**

(45) **Date of Patent:** **\*\* Dec. 7, 2010**

(54) **REMOTE CONTROLLED HELICOPTER**

(75) Inventor: **Wolfgang Wurm**, Attersee (AT)

(73) Assignee: **Schaffel Electronic GmbH**, Eching (DE)

(\*\*) Term: **14 Years**

(21) Appl. No.: **29/329,987**

(22) Filed: **Dec. 24, 2008**

(30) **Foreign Application Priority Data**

Jun. 24, 2008 (EM) ..... 000956123

(51) **LOC (9) Cl.** ..... **21-01**

(52) **U.S. Cl.** ..... **D21/442**

(58) **Field of Classification Search** ..... D21/436-454;  
D12/319-345; 446/34-68, 230-232, 429,  
446/430; 244/17.11-17.27

See application file for complete search history.

(56) **References Cited**

**U.S. PATENT DOCUMENTS**

1,749,471 A \* 3/1930 De Bothezat ..... 416/130

3,002,712 A \* 10/1961 Beckwith ..... 244/17.23

3,053,480 A \* 9/1962 Vanderlip ..... 244/17.13

4,173,321 A \* 11/1979 Eickmann ..... 244/17.23

D465,196 S \* 11/2002 Dammar ..... D12/328

6,604,706 B1 \* 8/2003 Bostan ..... 244/6

D494,640 S \* 8/2004 Tilbor et al. .... D21/441

\* cited by examiner

*Primary Examiner*—Catherine Tuttle

(74) *Attorney, Agent, or Firm*—Greer, Burns & Crain, Ltd.

(57) **CLAIM**

The ornamental design for a remote controlled helicopter, as shown and described.

**DESCRIPTION**

FIG. 1 is a top perspective view showing my new design for a remote controlled helicopter;

FIG. 2 is a front view thereof, the rear view being identical;

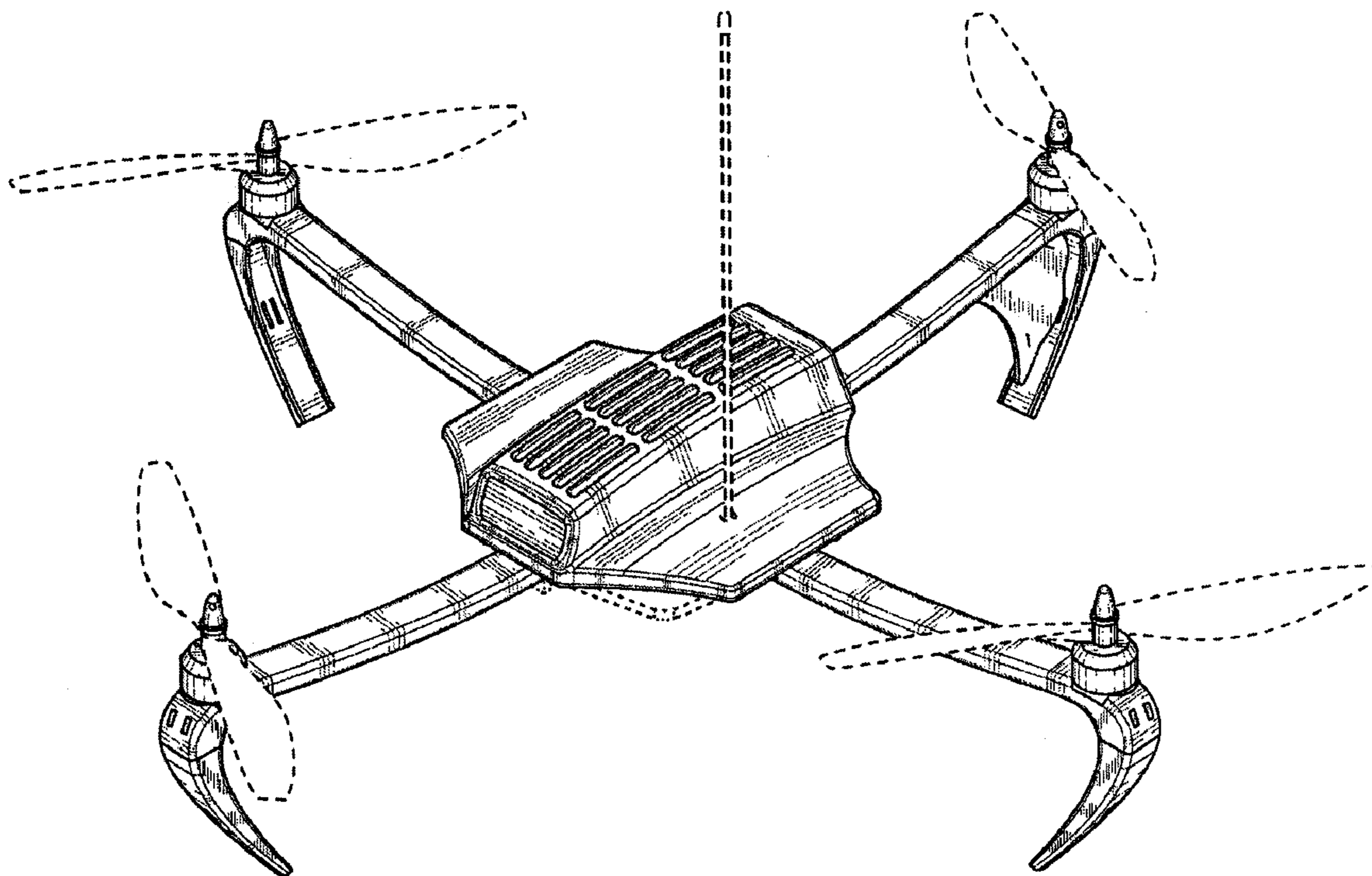
FIG. 3 is a left side view thereof, the right side being a mirror image of same;

FIG. 4 is a top view thereof; and,

FIG. 5 is a bottom view thereof

The broken lines are included for the purpose of illustrating portions of the remote controlled helicopter that form no part of the claimed design.

**1 Claim, 4 Drawing Sheets**



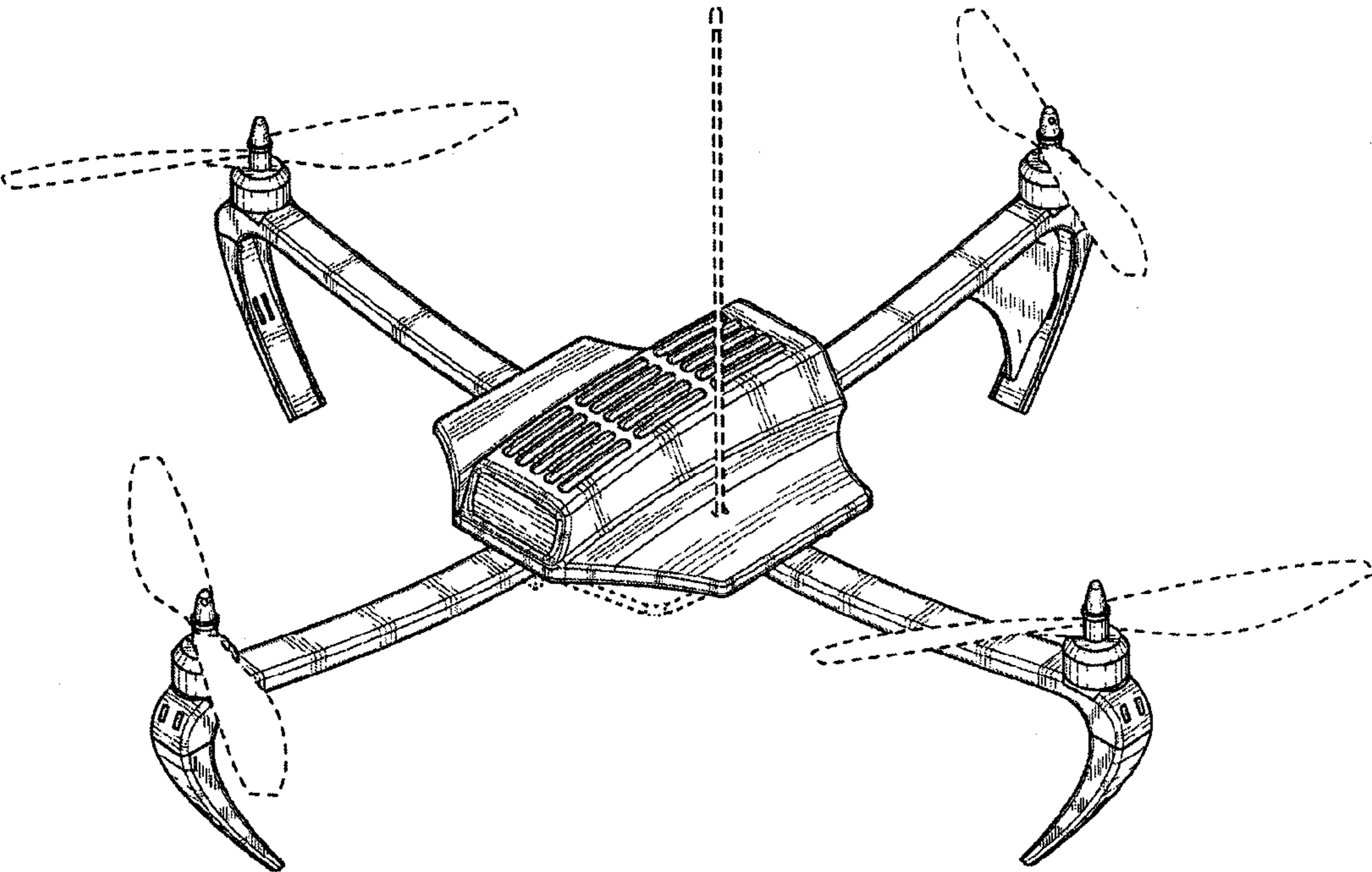


FIG. 1

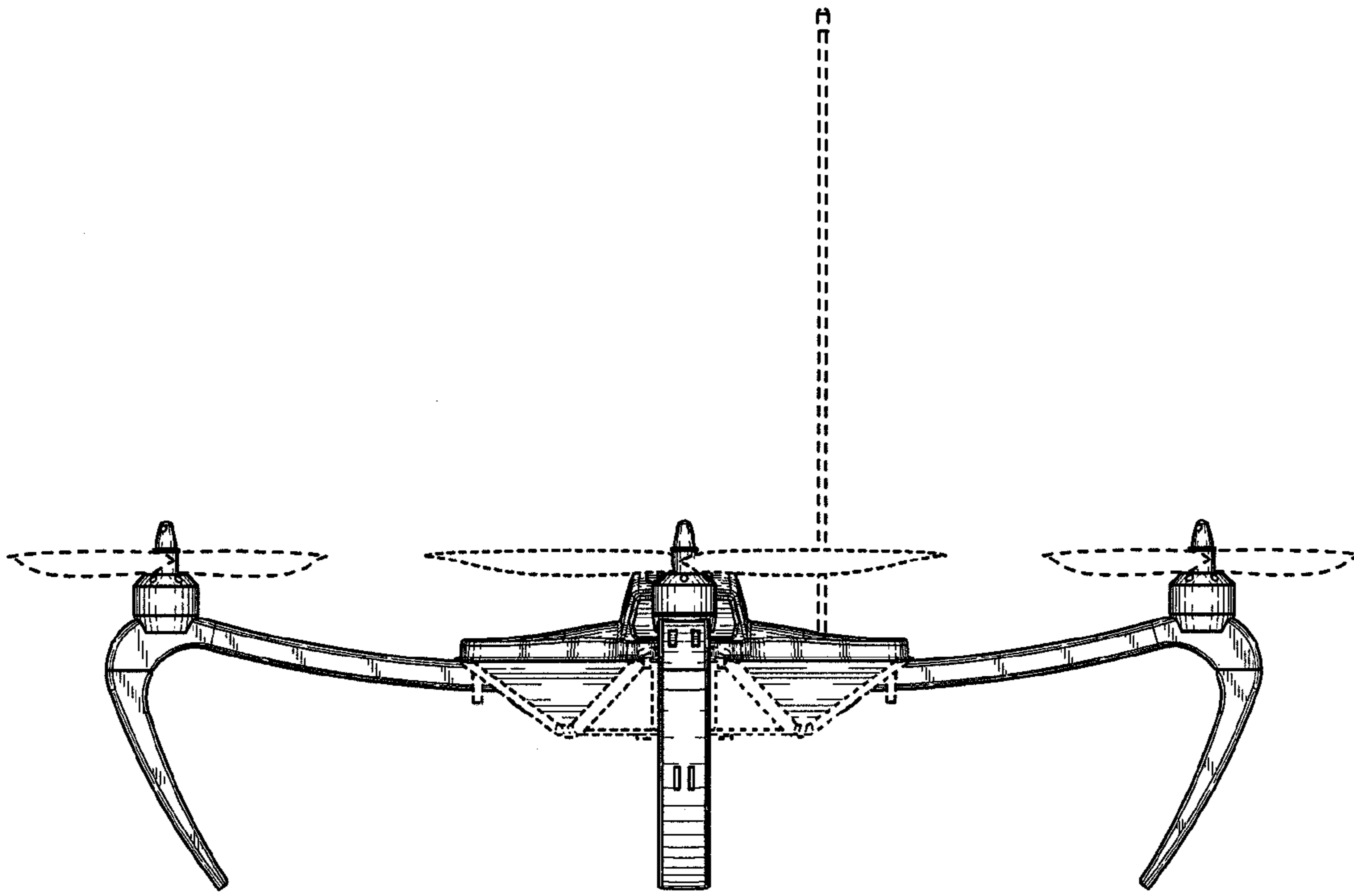


FIG. 2

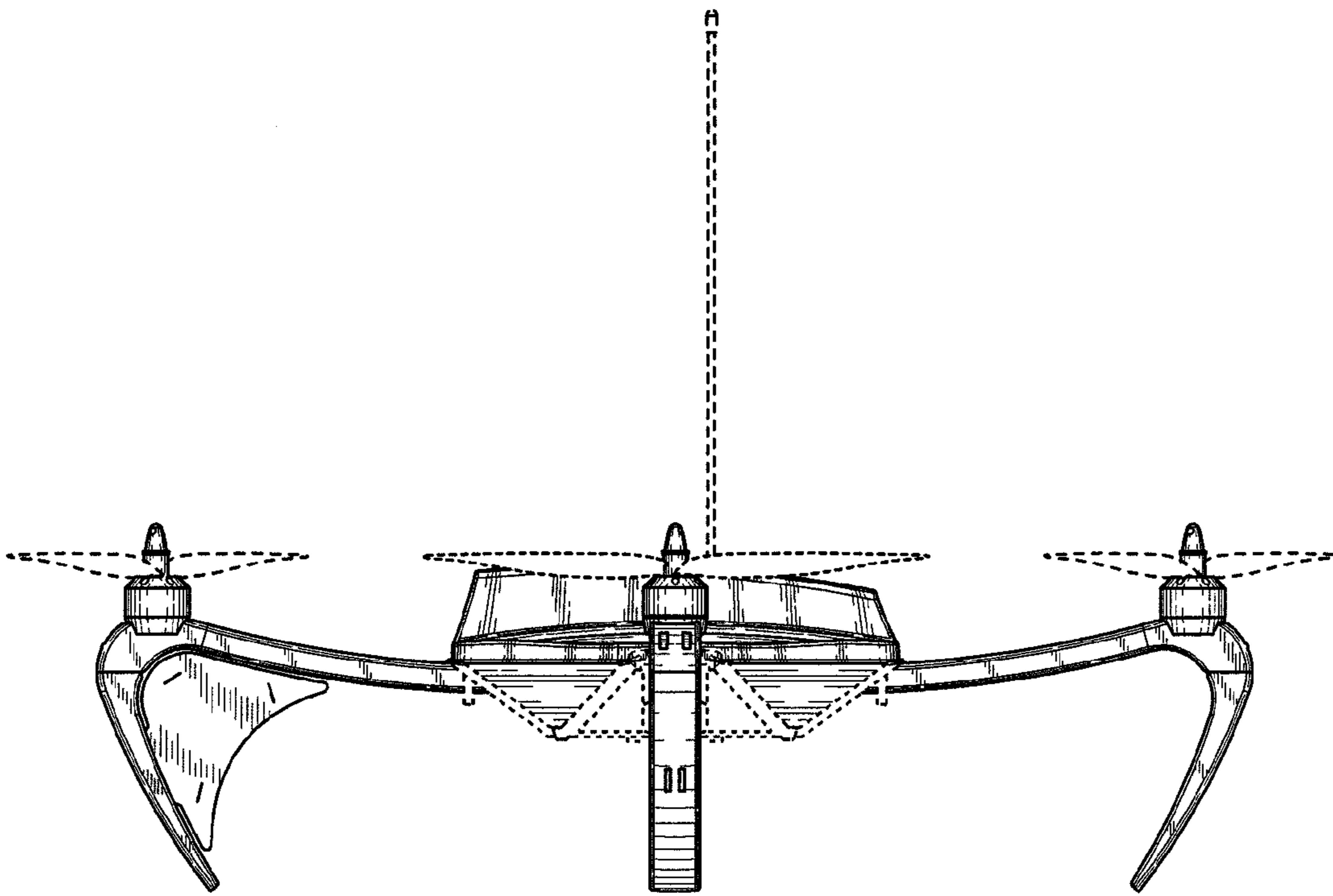


FIG. 3

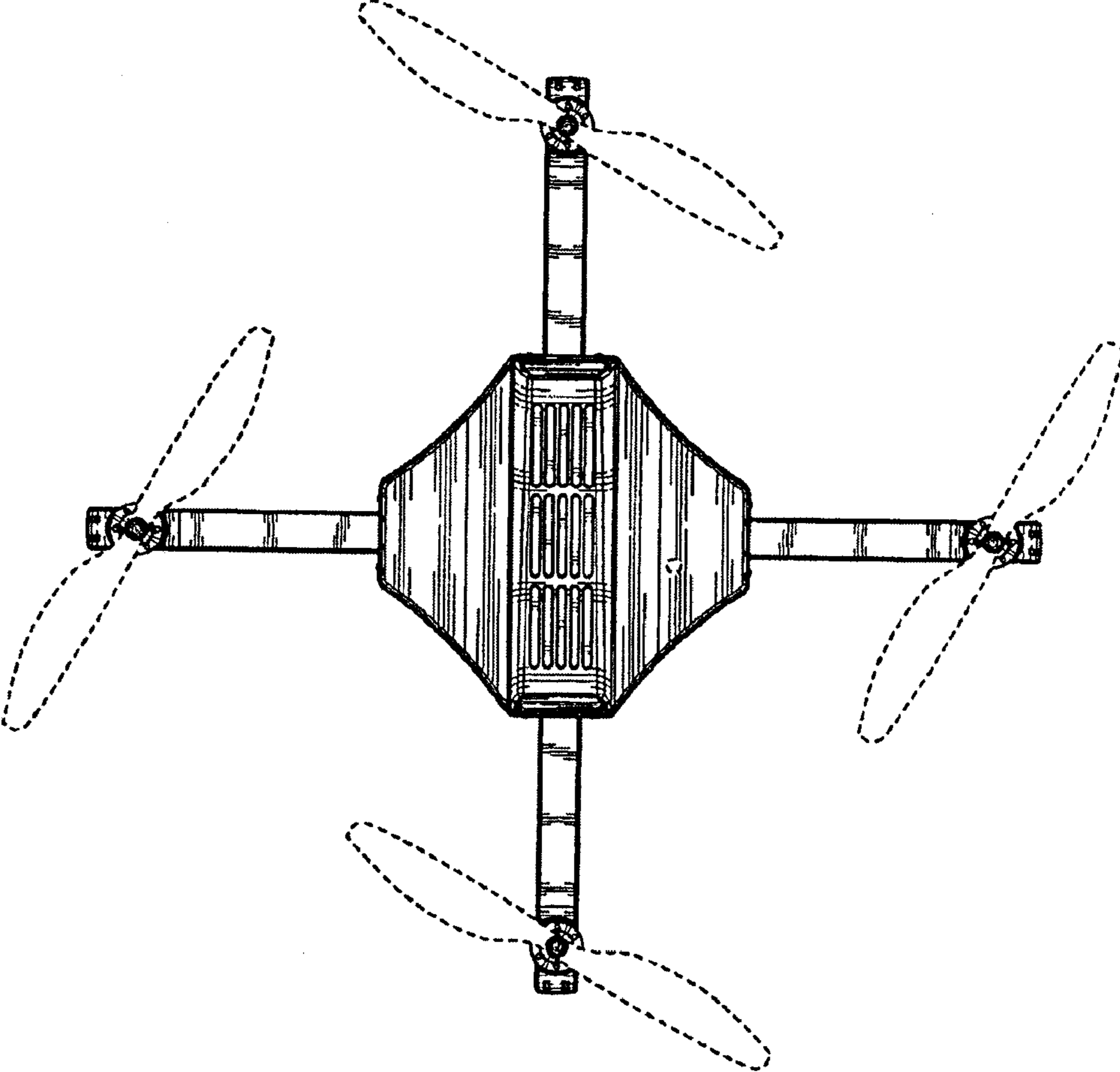


FIG. 4

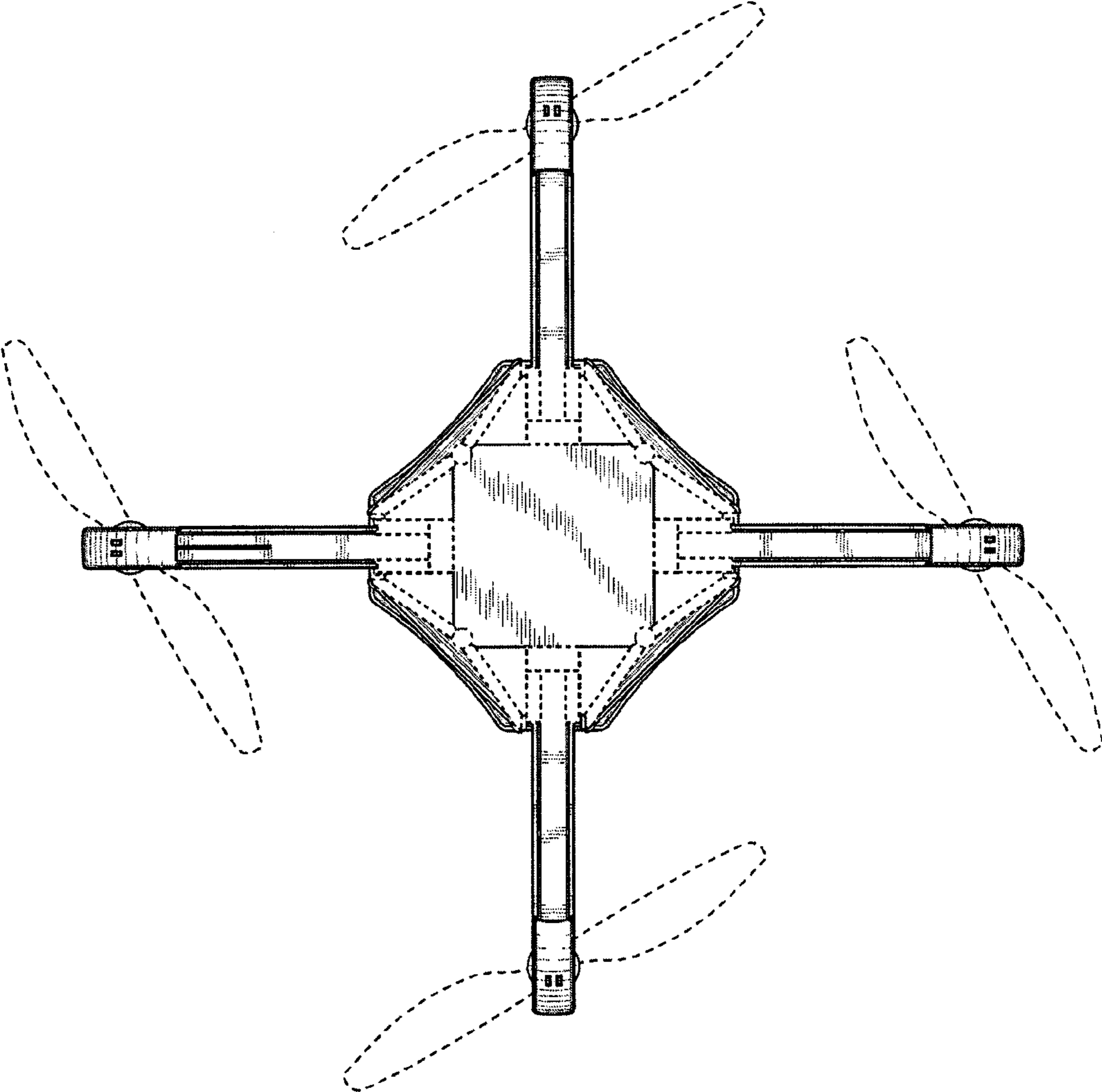


FIG. 5