



US00D628657S

(12) **United States Design Patent**
Heining et al.

(10) **Patent No.:** **US D628,657 S**
(45) **Date of Patent:** **** Dec. 7, 2010**

(54) **DECORATIVE BALLOON WITH VIEWING WINDOW**

(75) Inventors: **Treb Heining**, Newport Beach, CA (US); **Bill Schaffell**, Fullerton, CA (US)

(73) Assignee: **Treb, Inc.**, Newport Beach, CA (US)

(**) Term: **14 Years**

(21) Appl. No.: **29/356,234**

(22) Filed: **Feb. 22, 2010**

(51) **LOC (9) Cl.** **21-01**

(52) **U.S. Cl.** **D21/440**

(58) **Field of Classification Search** D21/438–440;
446/220–226

See application file for complete search history.

(56) **References Cited**

U.S. PATENT DOCUMENTS

D59,864 S *	11/1921	Pastir	D21/439
2,383,390 A	8/1945	Jacobs		
3,686,782 A	8/1972	Erickson et al.		
4,232,477 A	11/1980	Lin		
D297,746 S *	9/1988	Prater	D21/440
4,837,955 A	6/1989	Grabhorn		
5,024,012 A	6/1991	Lovik		
5,041,047 A	8/1991	Casale		
5,102,364 A	4/1992	Kubiatowicz		
5,108,339 A	4/1992	Kieves		
5,254,026 A	10/1993	Kaiser		
5,282,768 A *	2/1994	Akman	446/220
5,338,243 A	8/1994	Kieves		
5,765,831 A *	6/1998	Huffhines	446/225
5,813,896 A *	9/1998	Spector	446/221
D489,419 S *	5/2004	Pomroy	D21/439
D492,368 S *	6/2004	Pomroy et al.	D21/439
6,758,715 B2	7/2004	Banks		
D537,128 S *	2/2007	Barton et al.	D21/439
7,207,570 B1	4/2007	Forbes et al.		
2007/0082578 A1	4/2007	Haynes		
2007/0293120 A1 *	12/2007	Bourgeault et al.	446/220

* cited by examiner

Primary Examiner—Sandra Morris
(74) *Attorney, Agent, or Firm*—Cislo & Thomas, LLP

(57) **CLAIM**

The ornamental design for a decorative balloon with viewing window, as shown and described.

DESCRIPTION

FIG. 1 is a perspective view of our decorative balloon with viewing window;

FIG. 2 is a front view thereof;

FIG. 3 is a back view thereof;

FIG. 4 is a right side view thereof;

FIG. 5 is a left side view thereof;

FIG. 6 is a top view thereof;

FIG. 7 is a bottom view thereof;

FIG. 8 is a perspective view of another embodiment of our decorative balloon with viewing window;

FIG. 9 is a front view thereof;

FIG. 10 is a back view thereof;

FIG. 11 is a right side view thereof;

FIG. 12 is a left side view thereof;

FIG. 13 is a top view thereof;

FIG. 14 is a bottom view thereof;

FIG. 15 is a perspective view of another embodiment of our decorative balloon with viewing window;

FIG. 16 is a front view thereof;

FIG. 17 is a back view thereof;

FIG. 18 is a right side view thereof;

FIG. 19 is a left side view thereof;

FIG. 20 is a top view thereof;

FIG. 21 is a bottom view thereof;

FIG. 22 is a perspective view of another embodiment of our decorative balloon with viewing window;

FIG. 23 is a front view thereof;

FIG. 24 is a back view thereof;

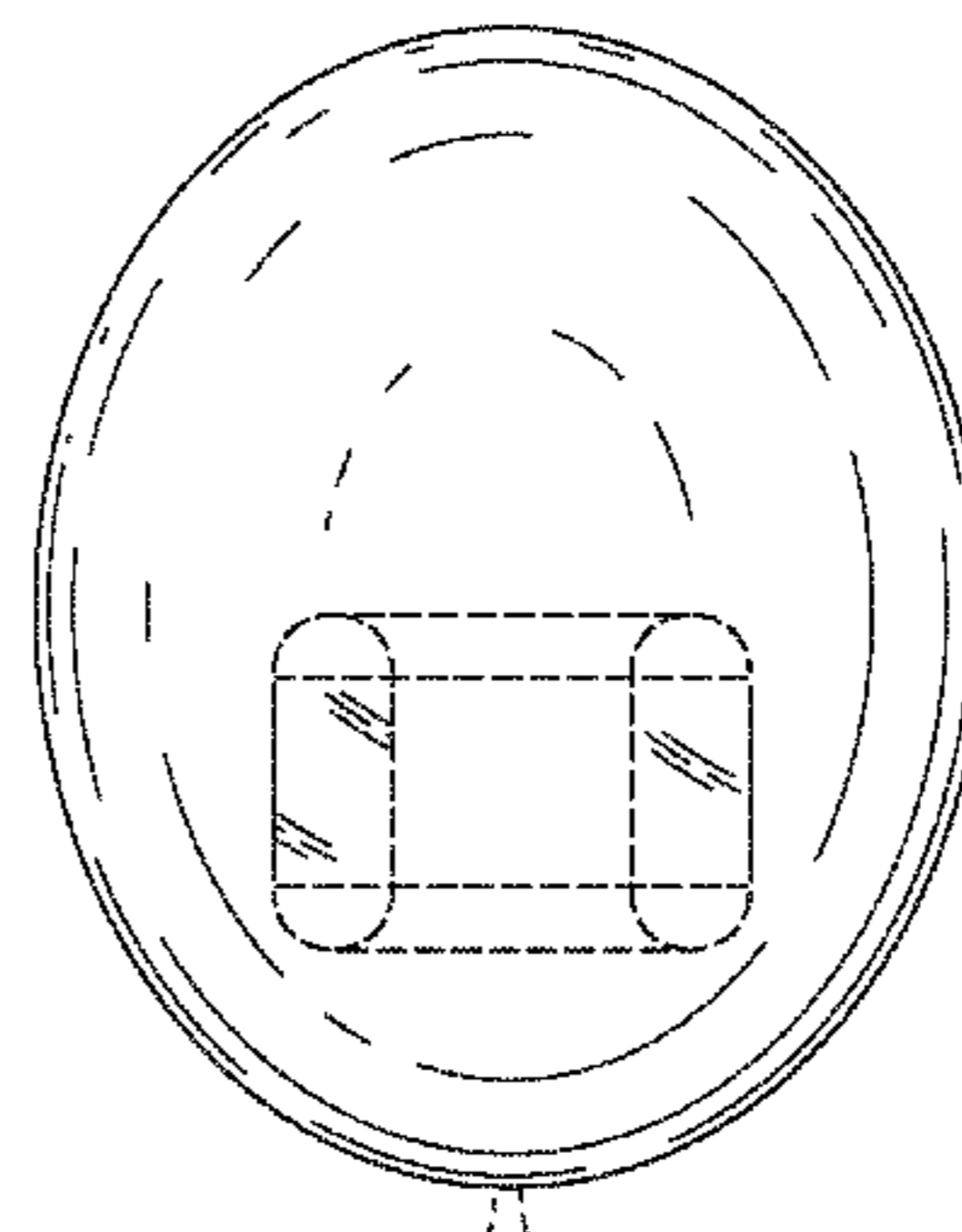
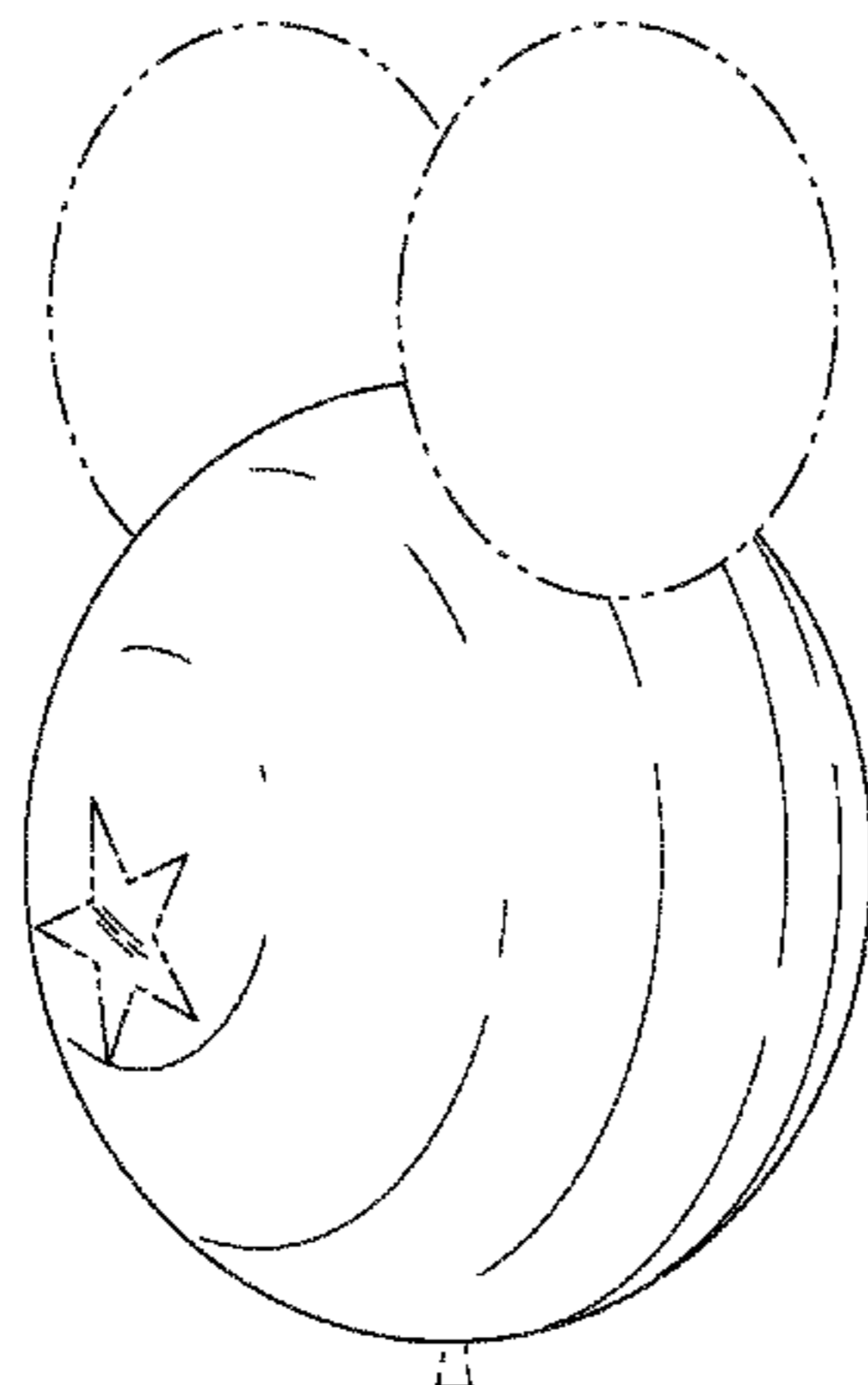


FIG. 25 is a right side view thereof;
FIG. 26 is a left side view thereof;
FIG. 27 is a top view thereof;
FIG. 28 is a bottom view thereof;
FIG. 29 is a perspective view of another embodiment of our decorative balloon with viewing window;
FIG. 30 is a front view thereof;
FIG. 31 is a back view thereof;
FIG. 32 is a right side view thereof;
FIG. 33 is a left side view thereof;
FIG. 34 is a top view thereof;
FIG. 35 is a bottom view thereof;
FIG. 36 is a perspective view of another embodiment of our decorative balloon with viewing window;
FIG. 37 is a front view thereof;
FIG. 38 is a back view thereof;
FIG. 39 is a right side view thereof;
FIG. 40 is a left side view thereof;
FIG. 41 is a top view thereof;
FIG. 42 is a bottom view thereof;

FIG. 43 is a perspective view of another embodiment of our decorative balloon with viewing window;
FIG. 44 is a front view thereof;
FIG. 45 is a back view thereof;
FIG. 46 is a right side view thereof;
FIG. 47 is a left side view thereof;
FIG. 48 is a top view thereof;
FIG. 49 is a bottom view thereof;
FIG. 50 is a perspective view of another embodiment of our decorative balloon with viewing window;
FIG. 51 is a front view thereof;
FIG. 52 is a back view thereof;
FIG. 53 is a right side view thereof;
FIG. 54 is a left side view thereof;
FIG. 55 is a top view thereof; and,
FIG. 56 is a bottom view thereof.

The broken line portions of the disclosure are included for the purpose of illustrating environment and form no part of the claimed design.

1 Claim, 24 Drawing Sheets

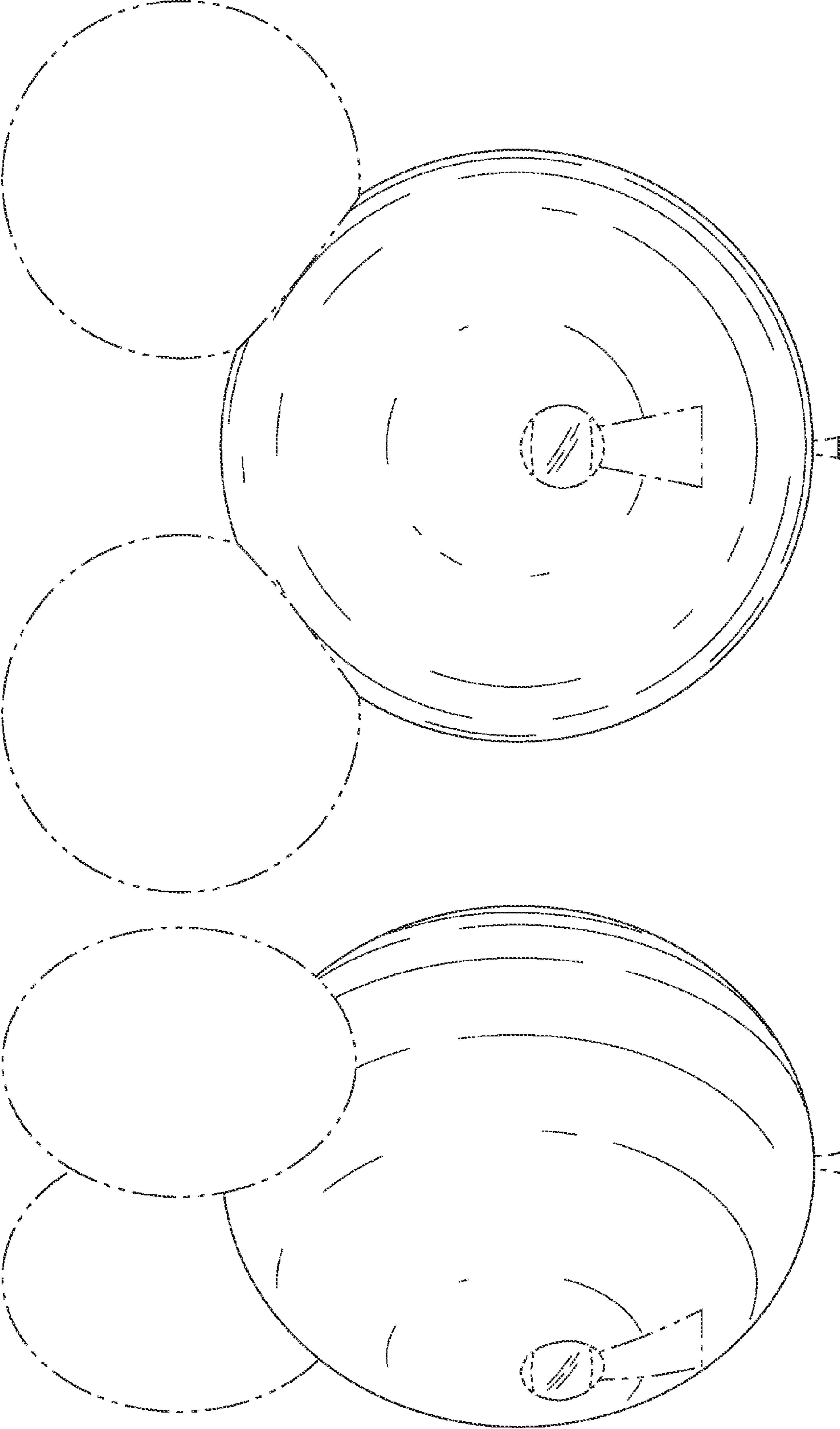


Fig. 2

Fig. 1

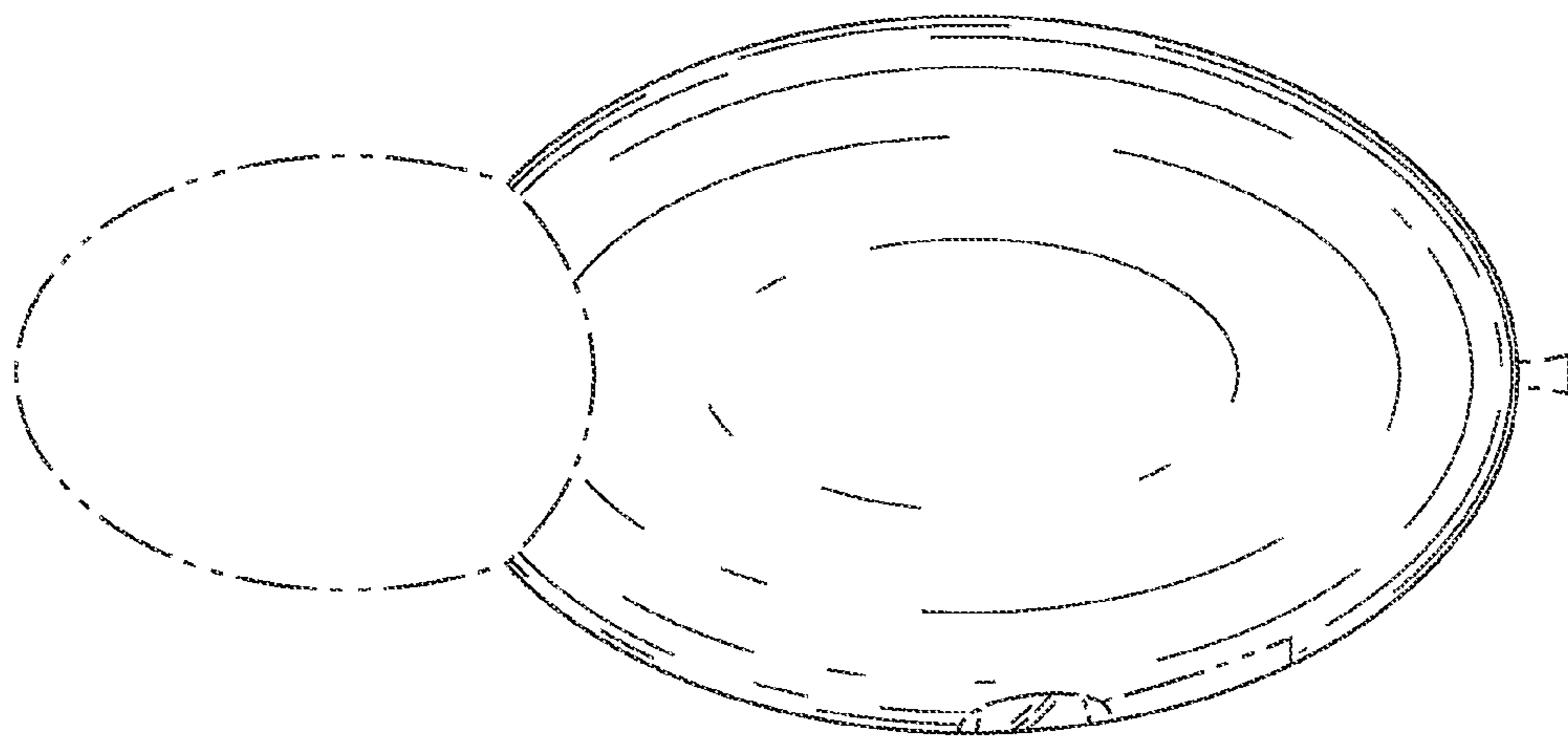


Fig. 4

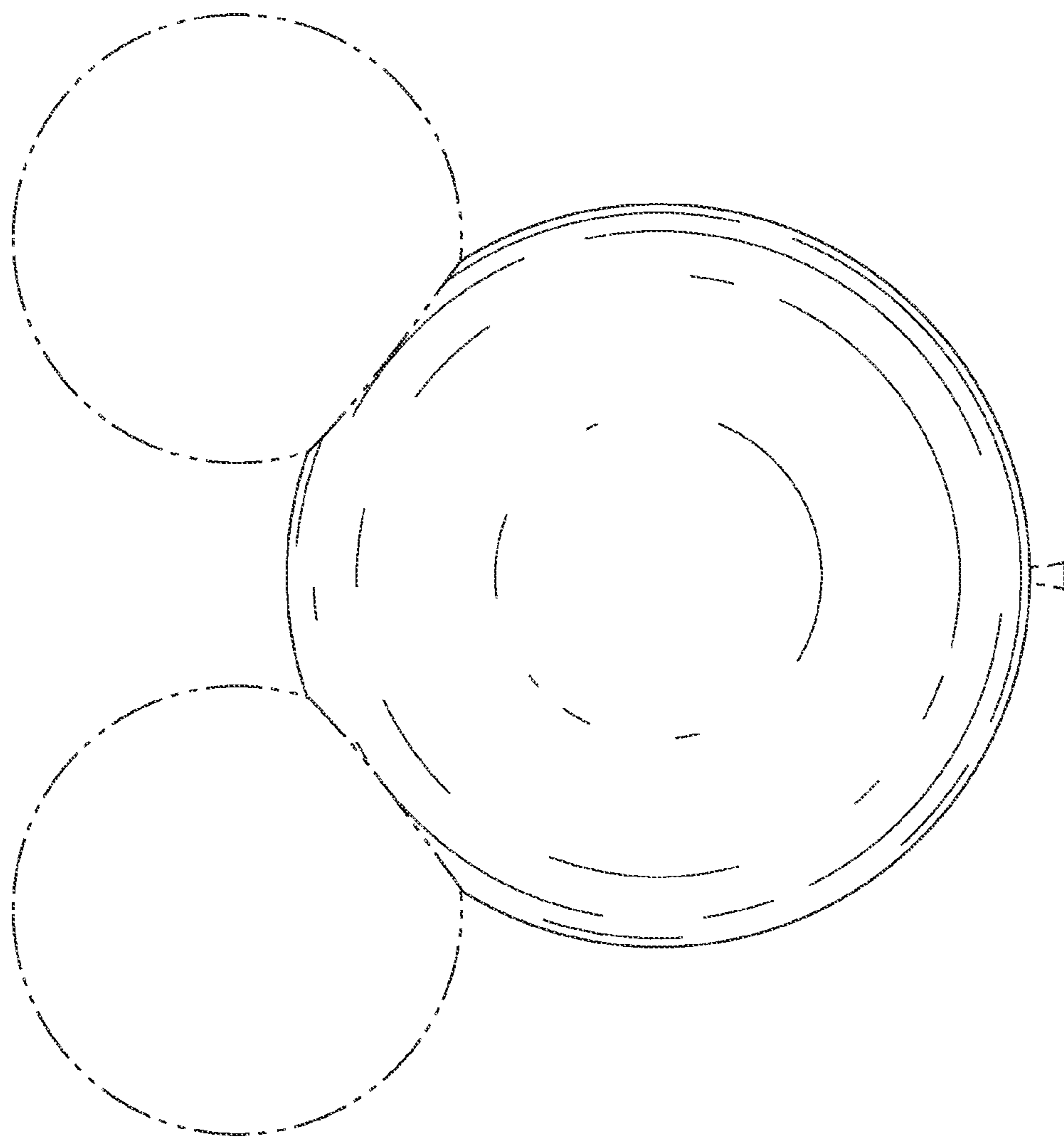


Fig. 3

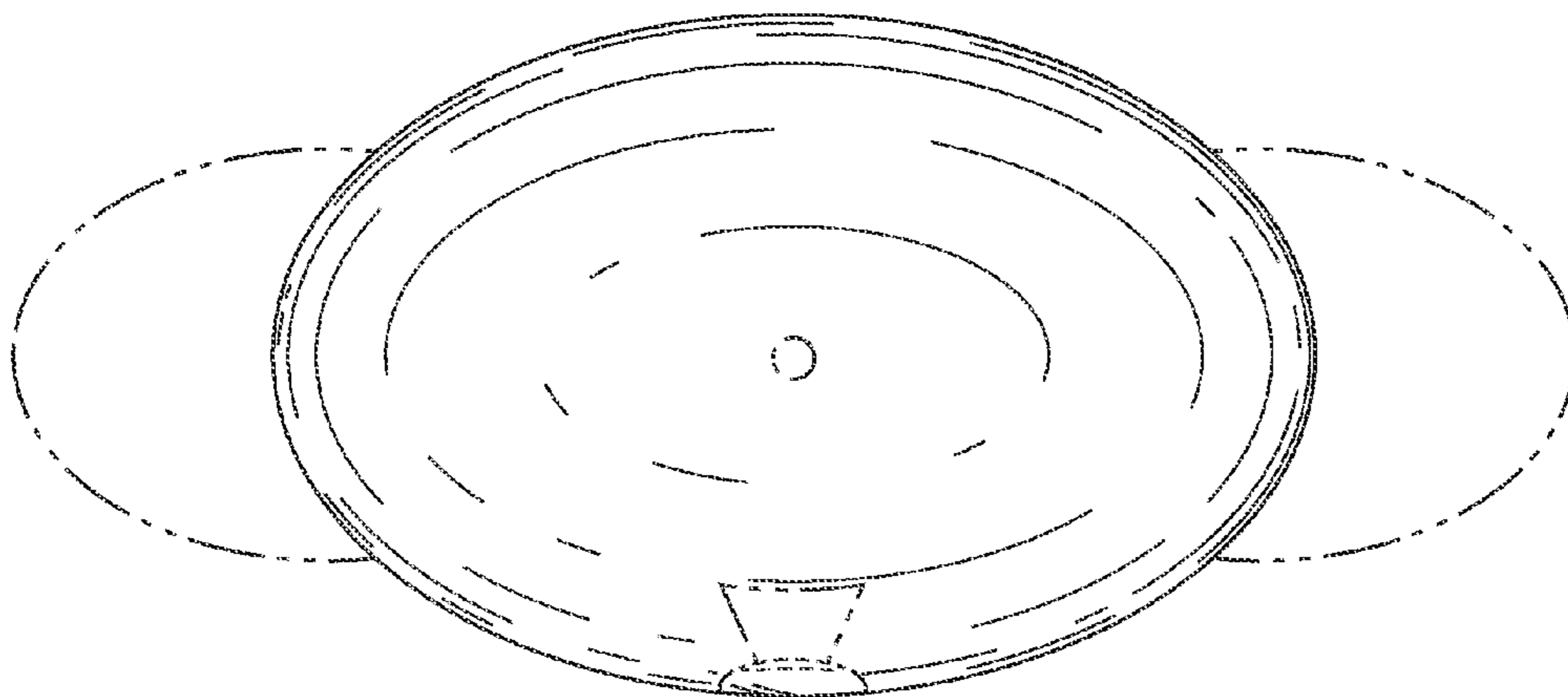


Fig. 7

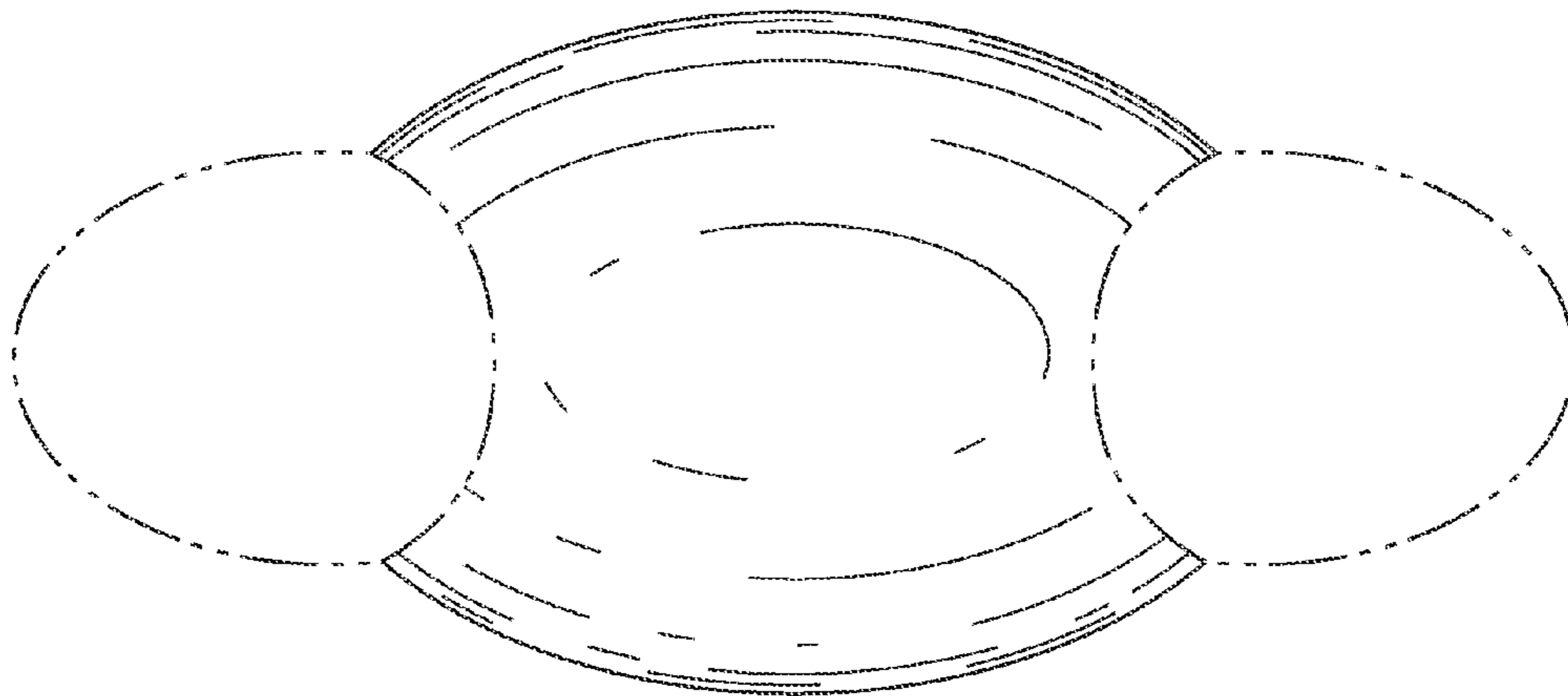


Fig. 6

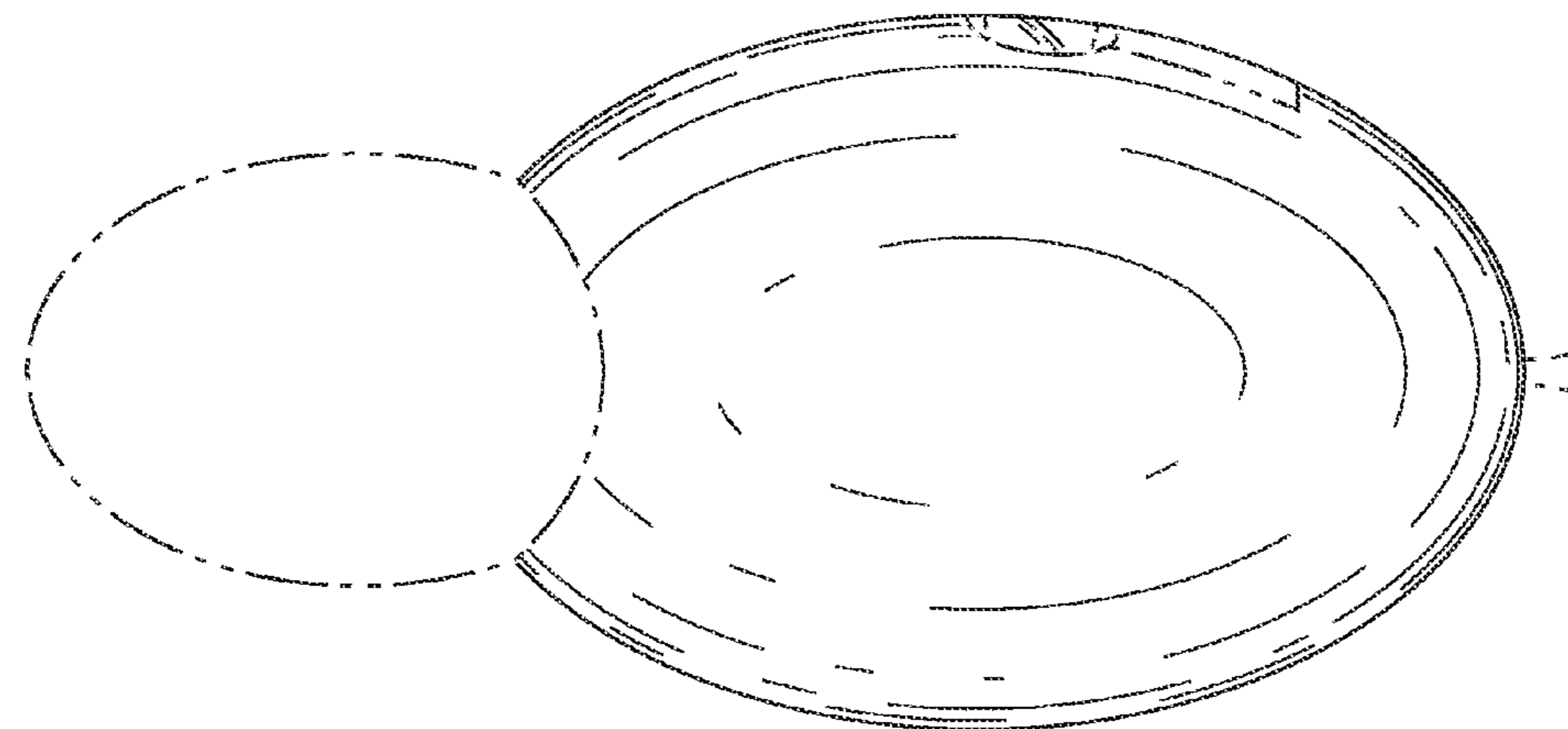


Fig. 5

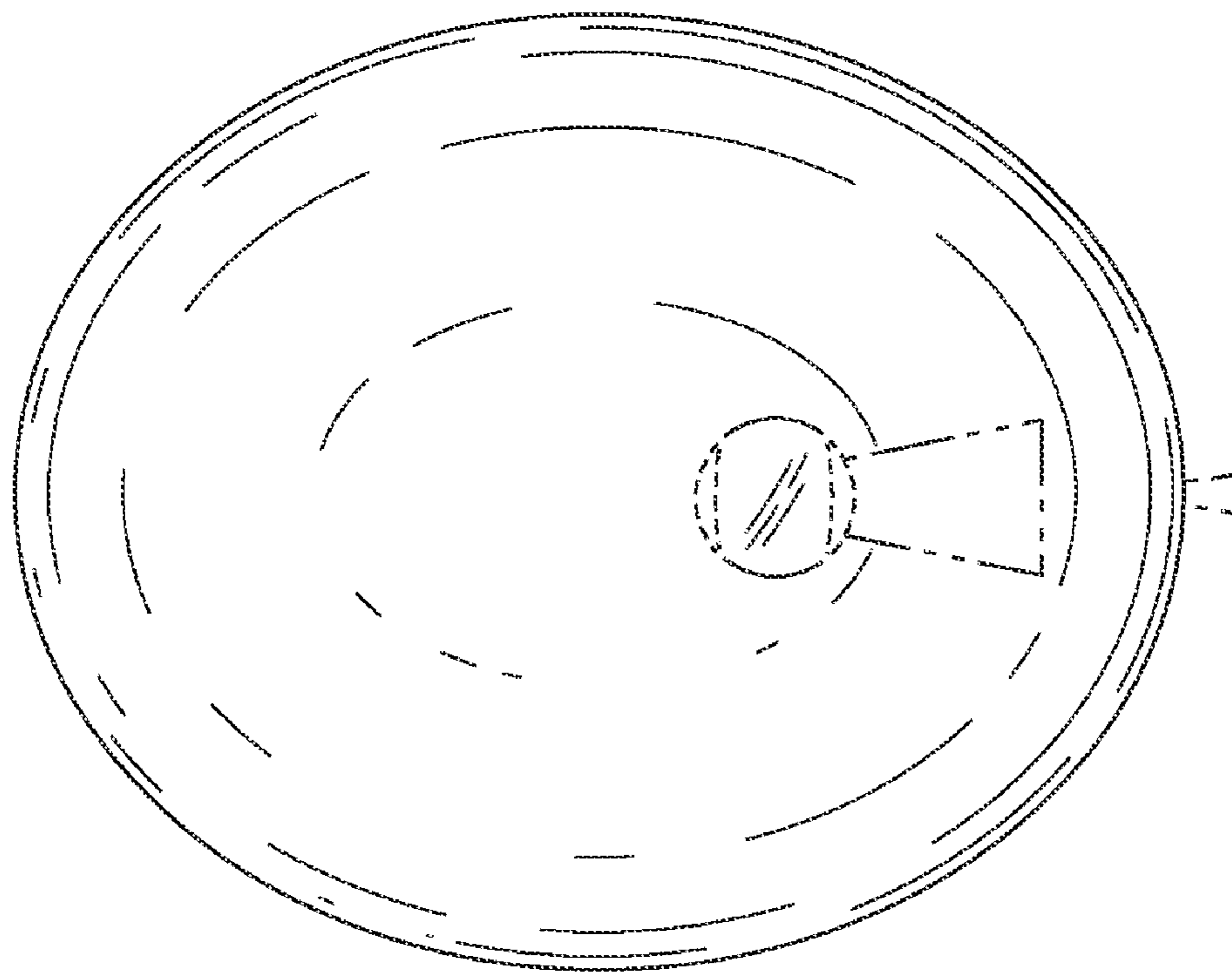


Fig. 9

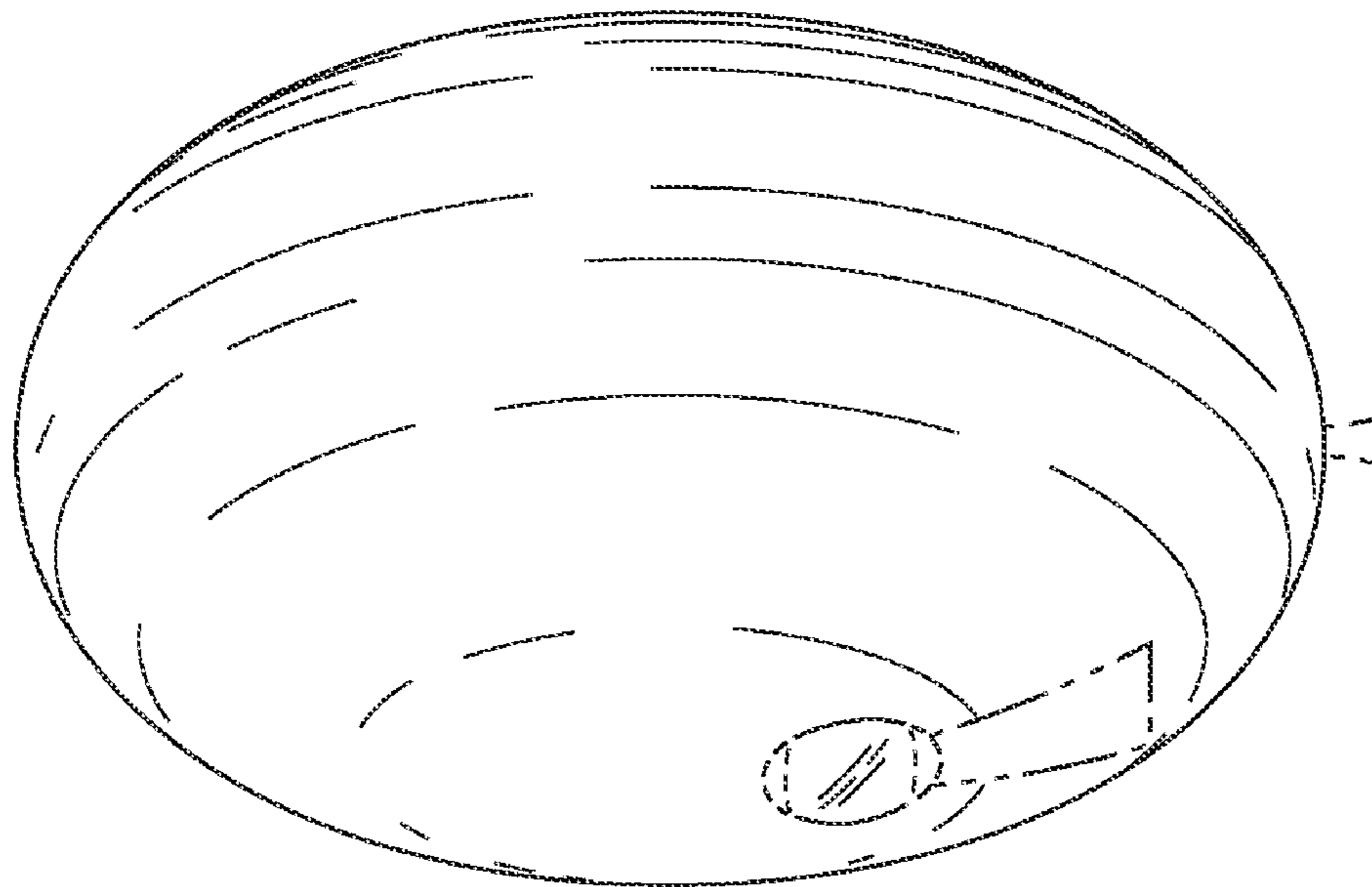


Fig. 8

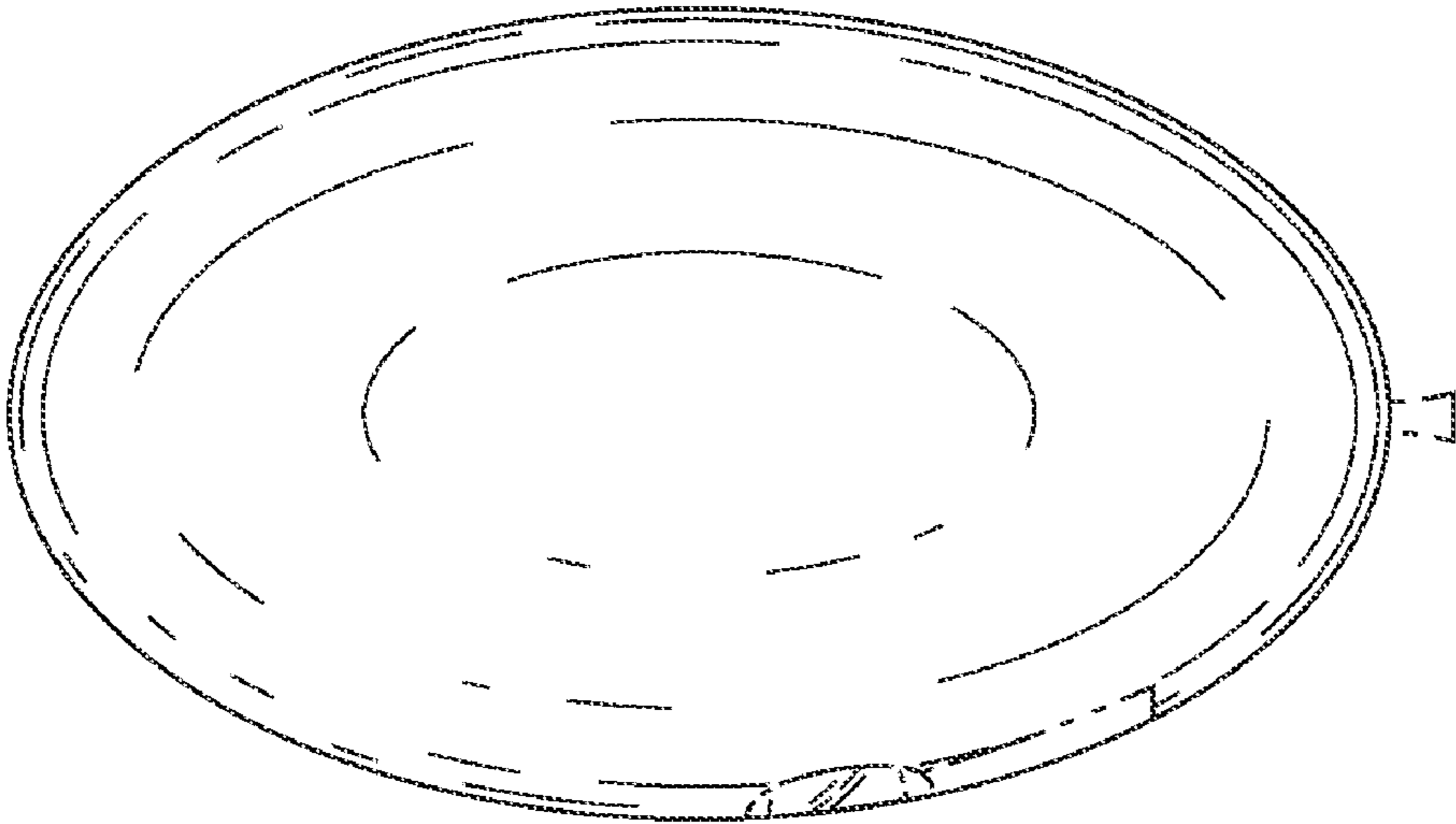


Fig. 11

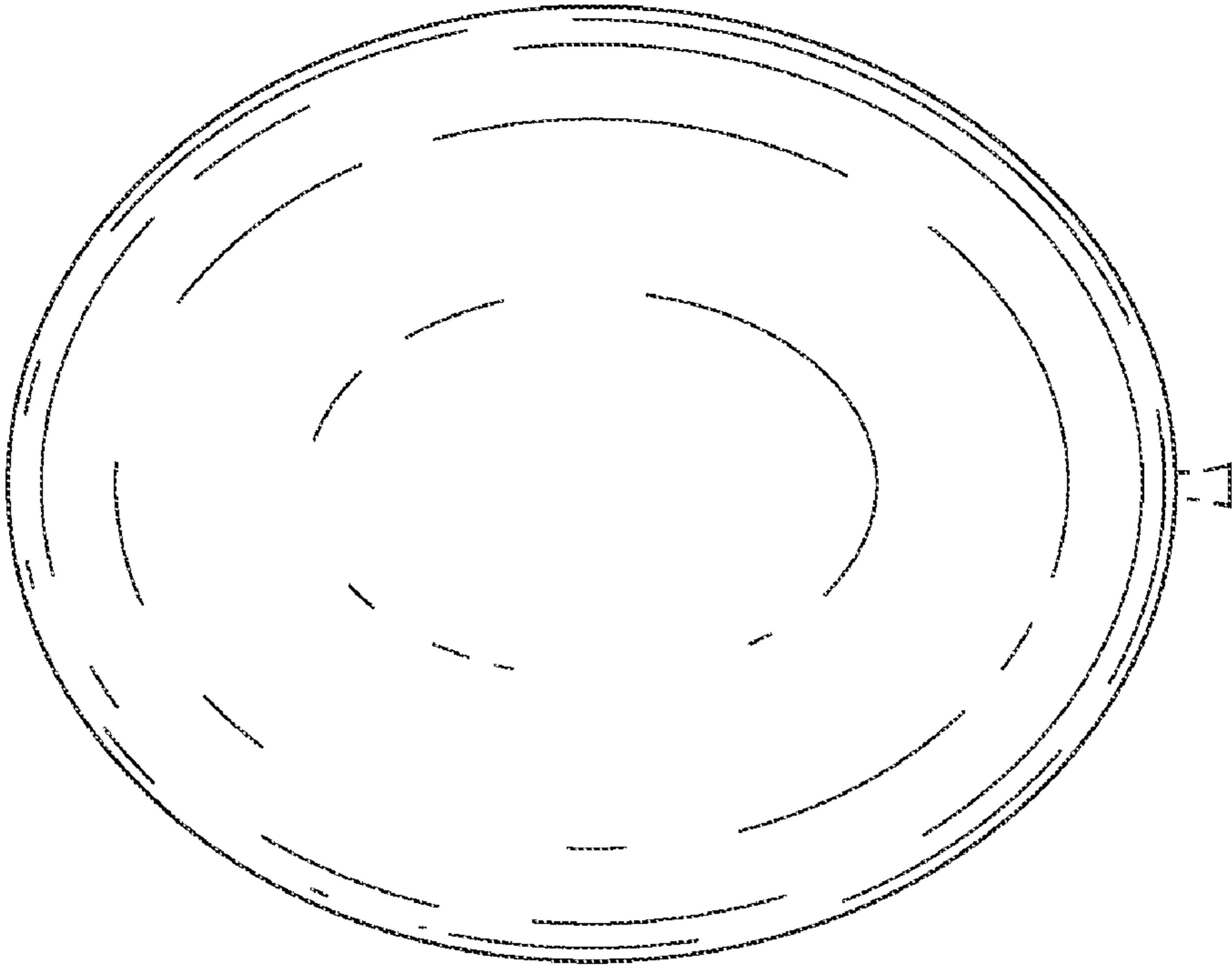


Fig. 10

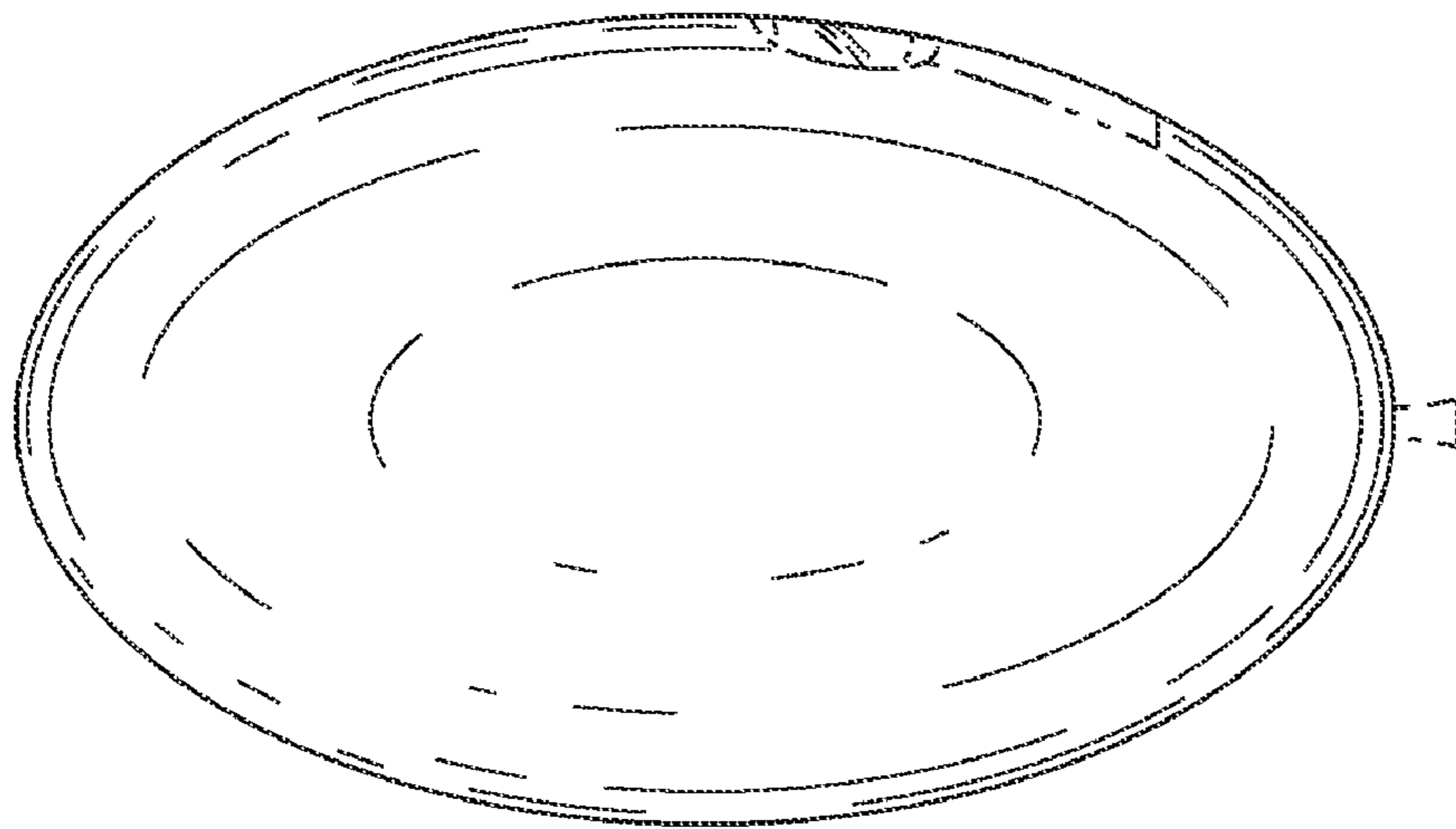


Fig. 12

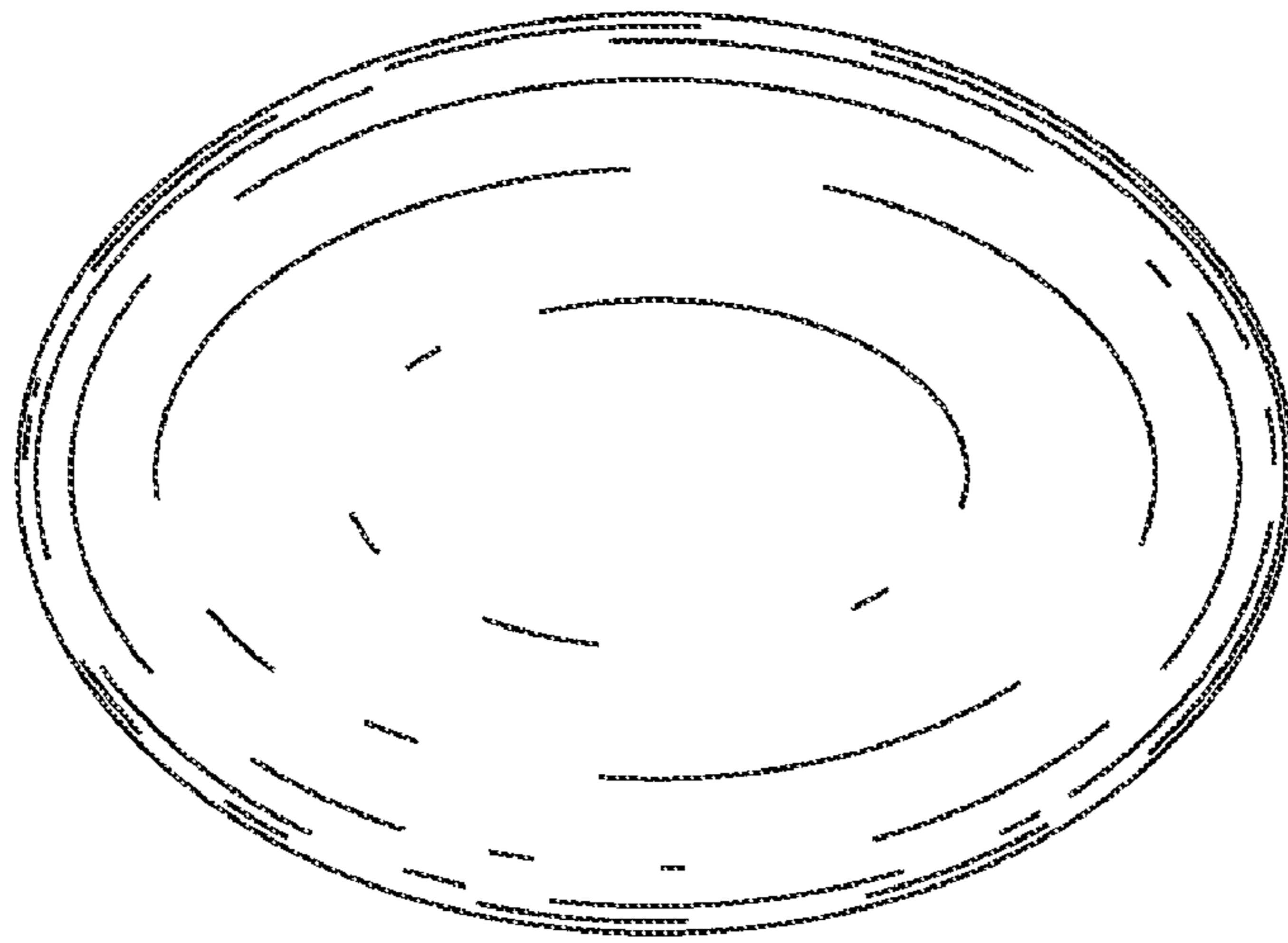


Fig. 13

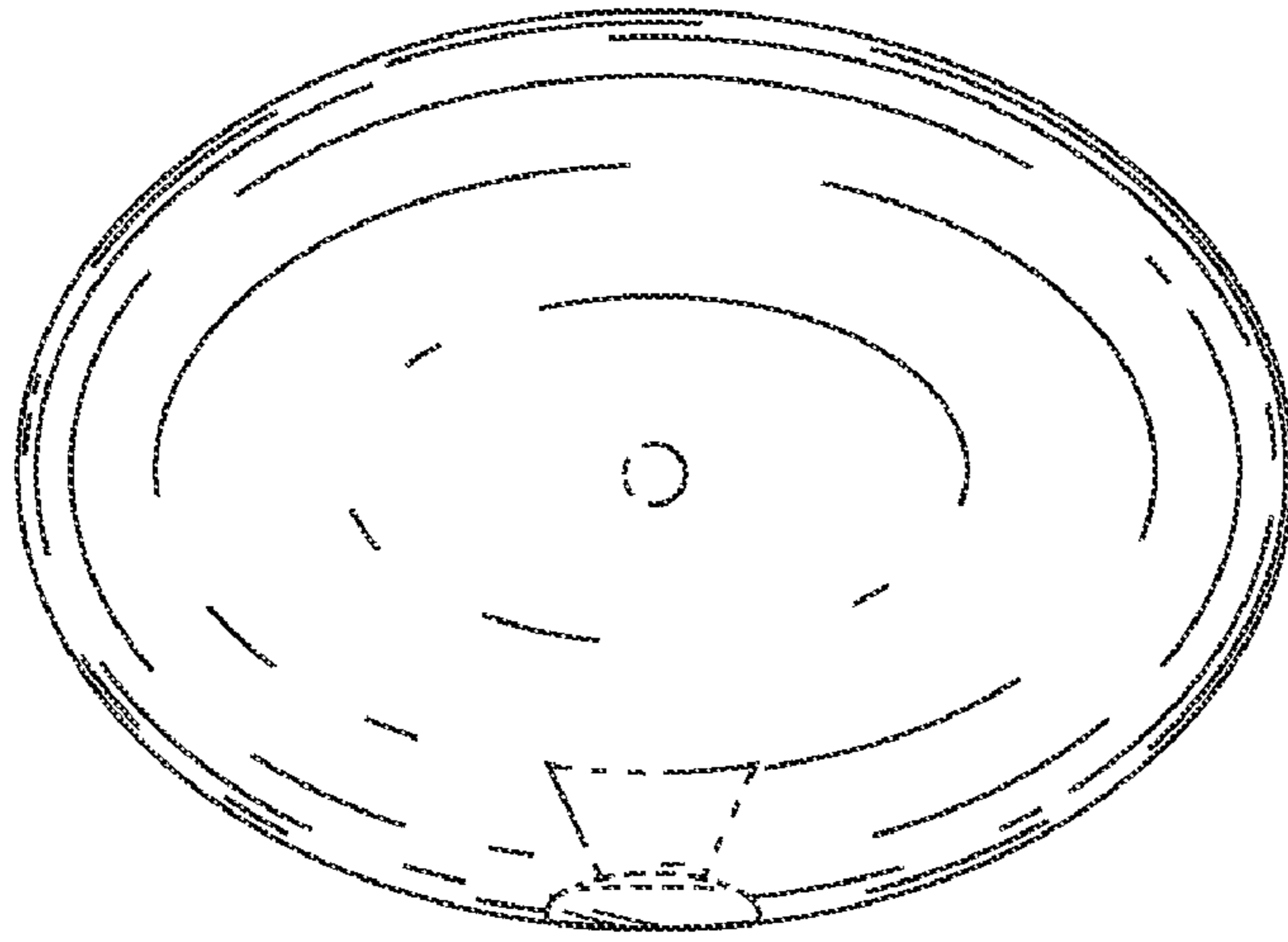


Fig. 14

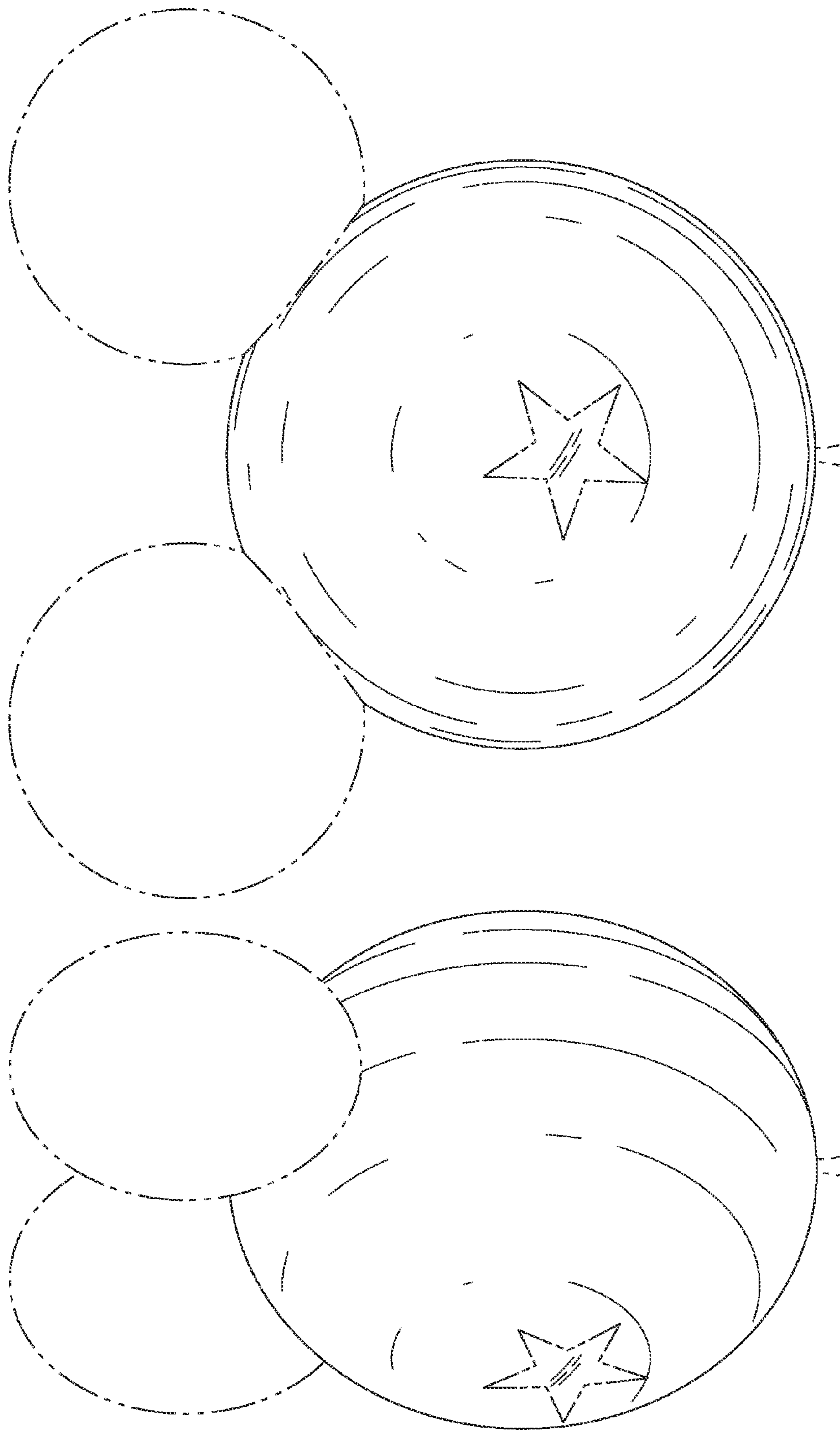


Fig. 16

Fig. 15

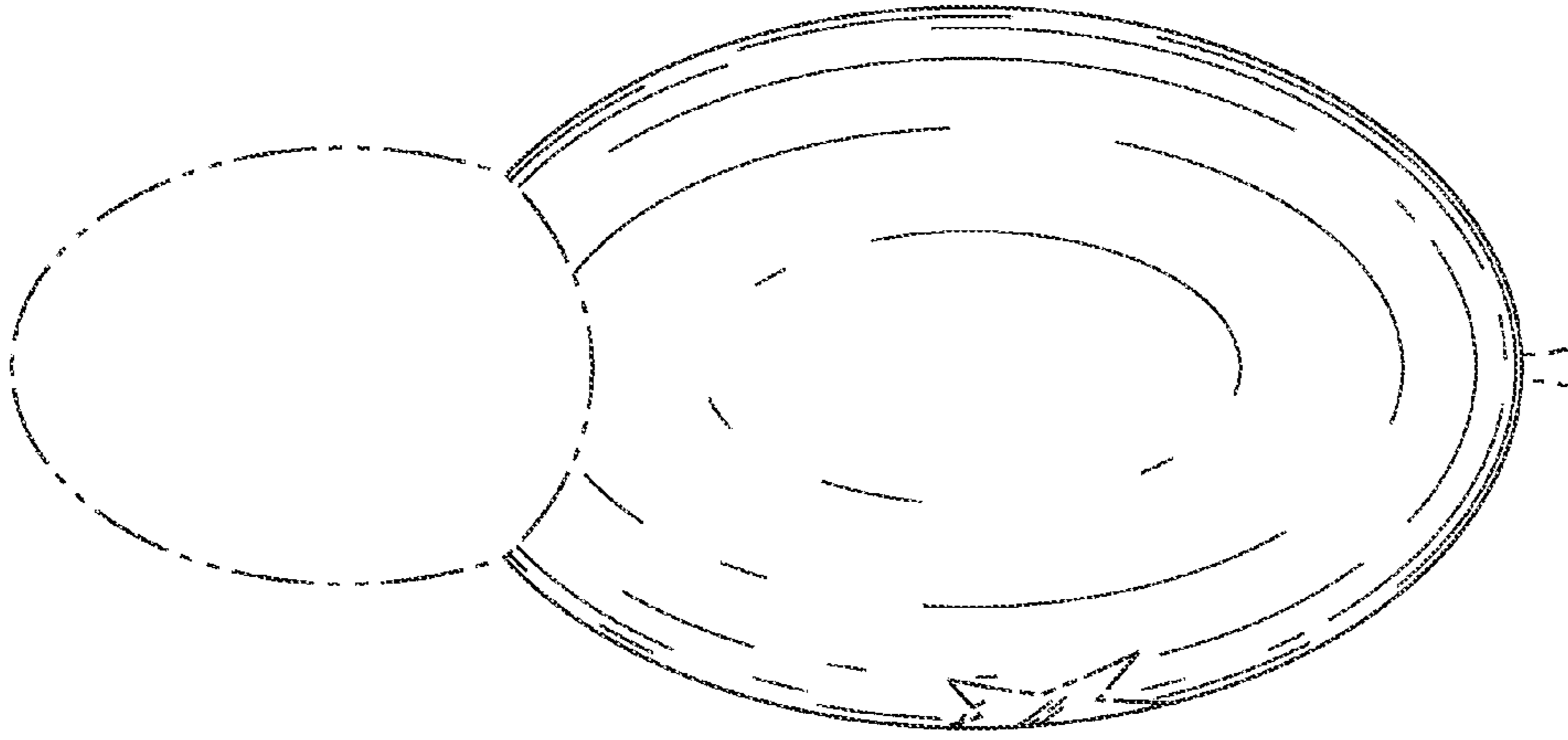


Fig. 18

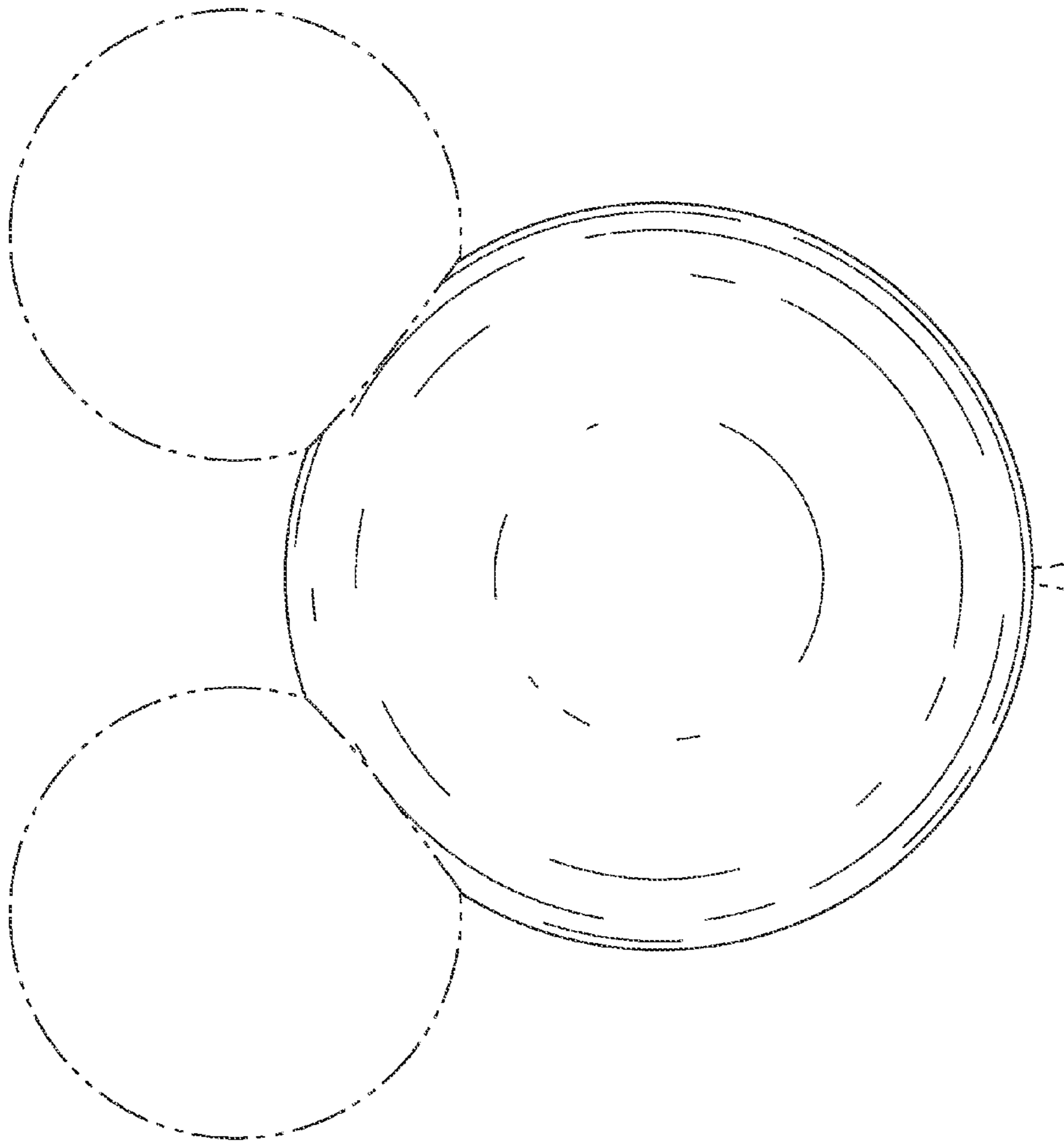


Fig. 17

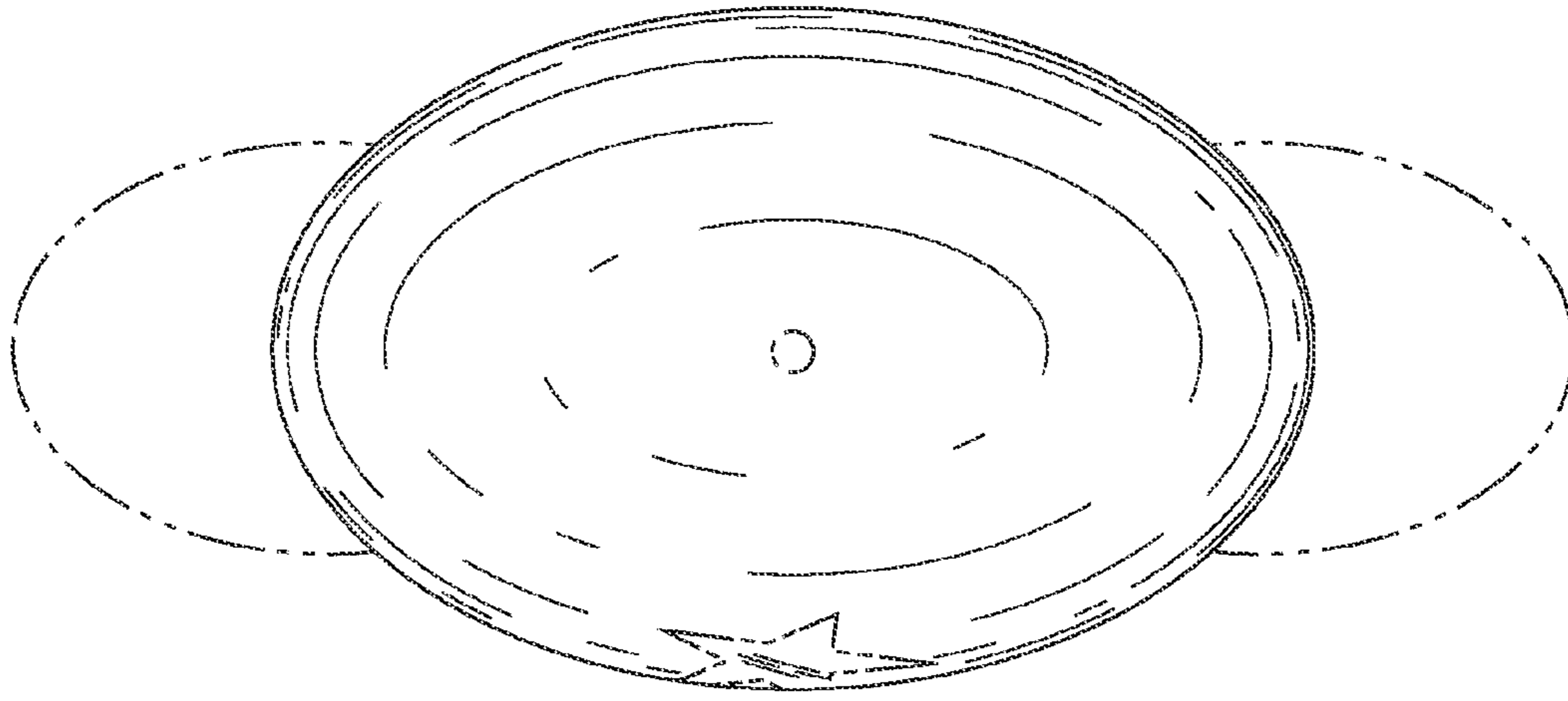


Fig. 21

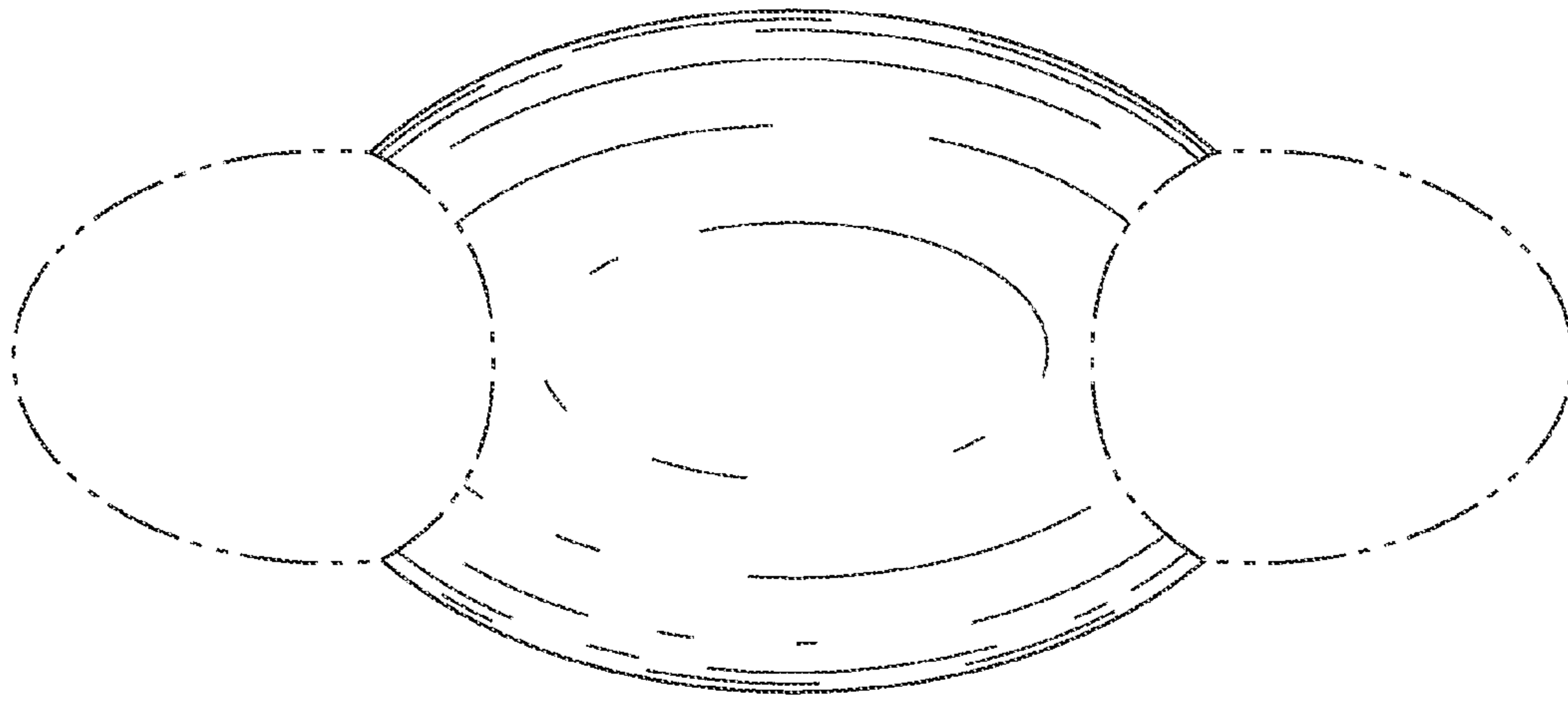


Fig. 20

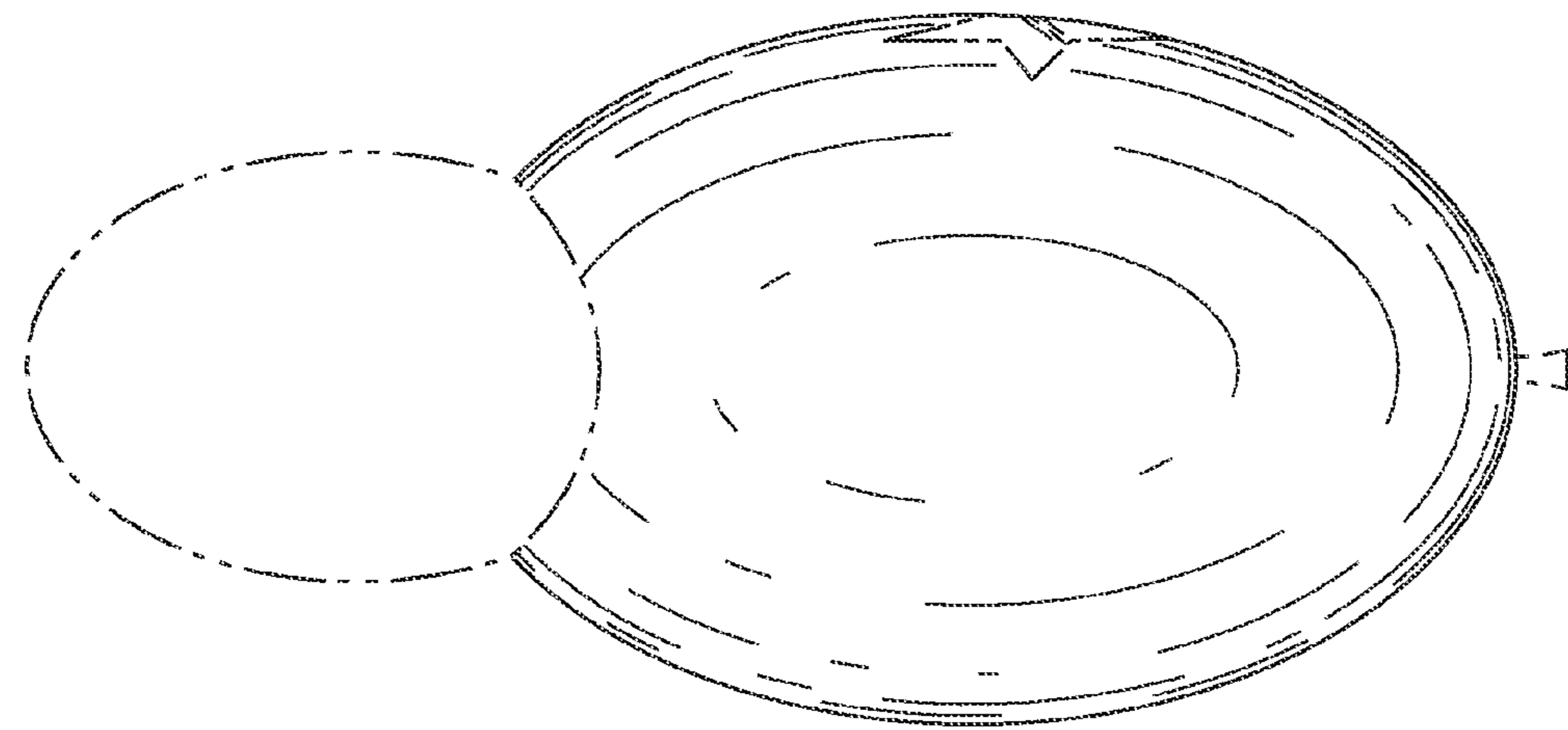


Fig. 19

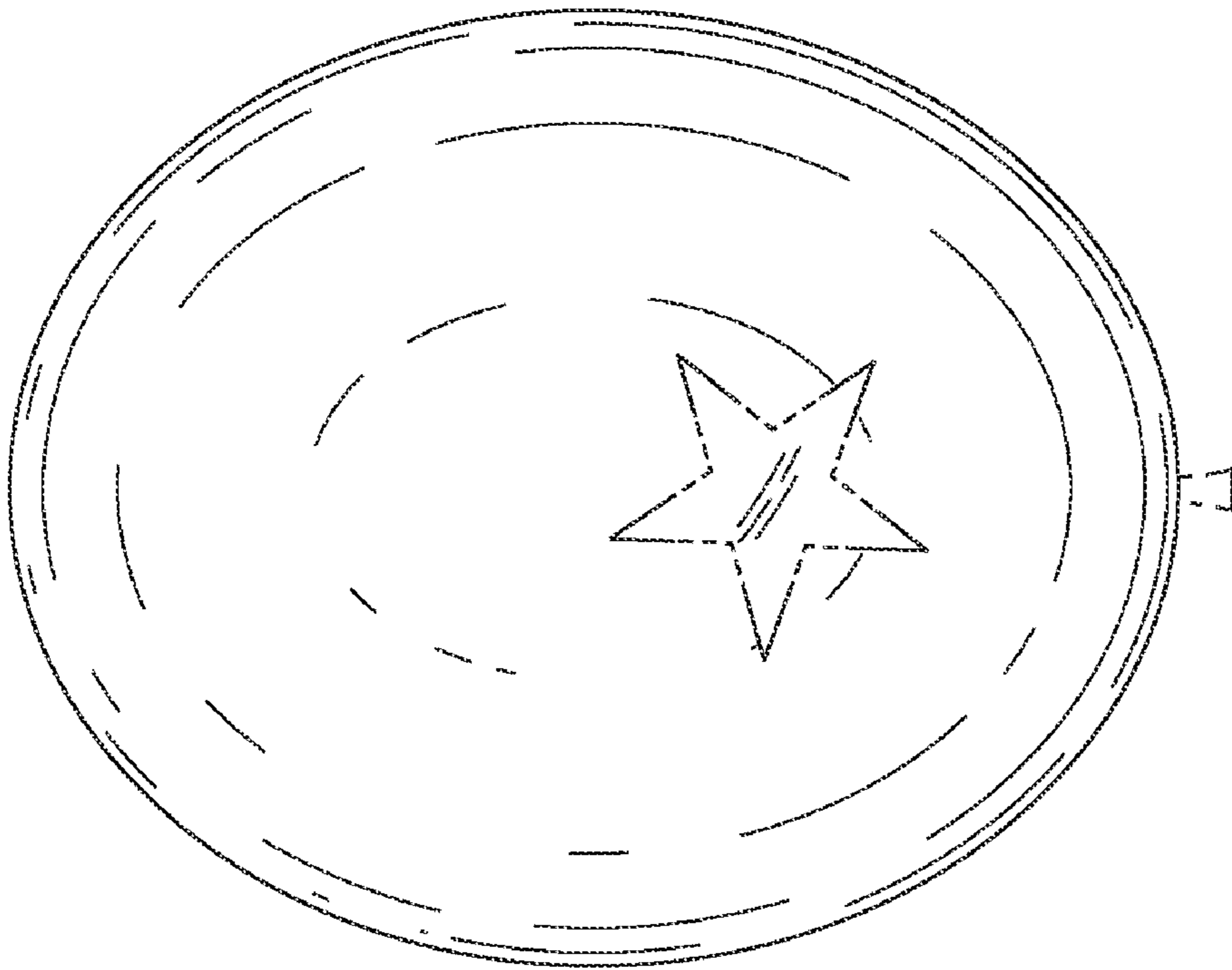


Fig. 23

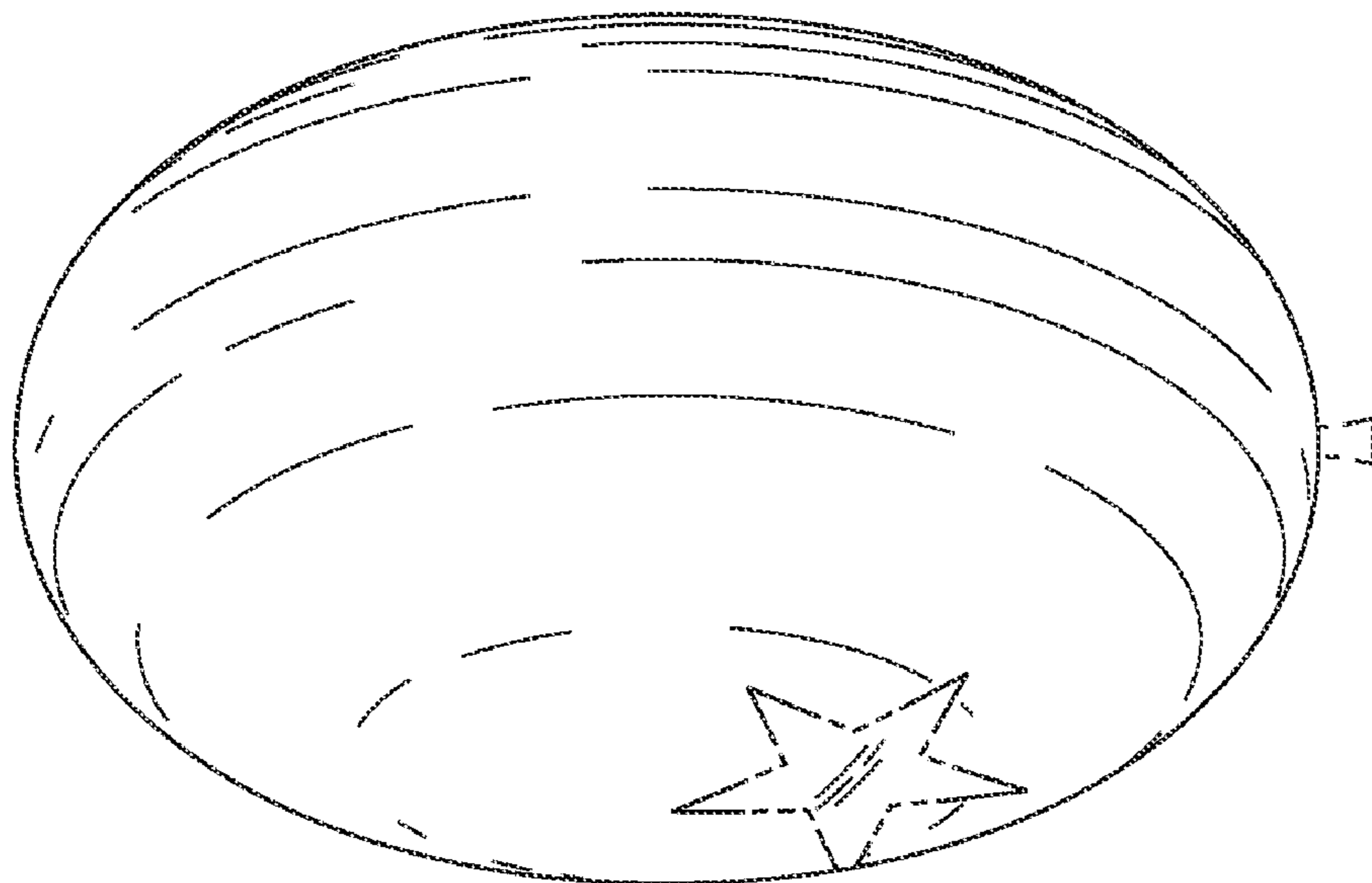


Fig. 22

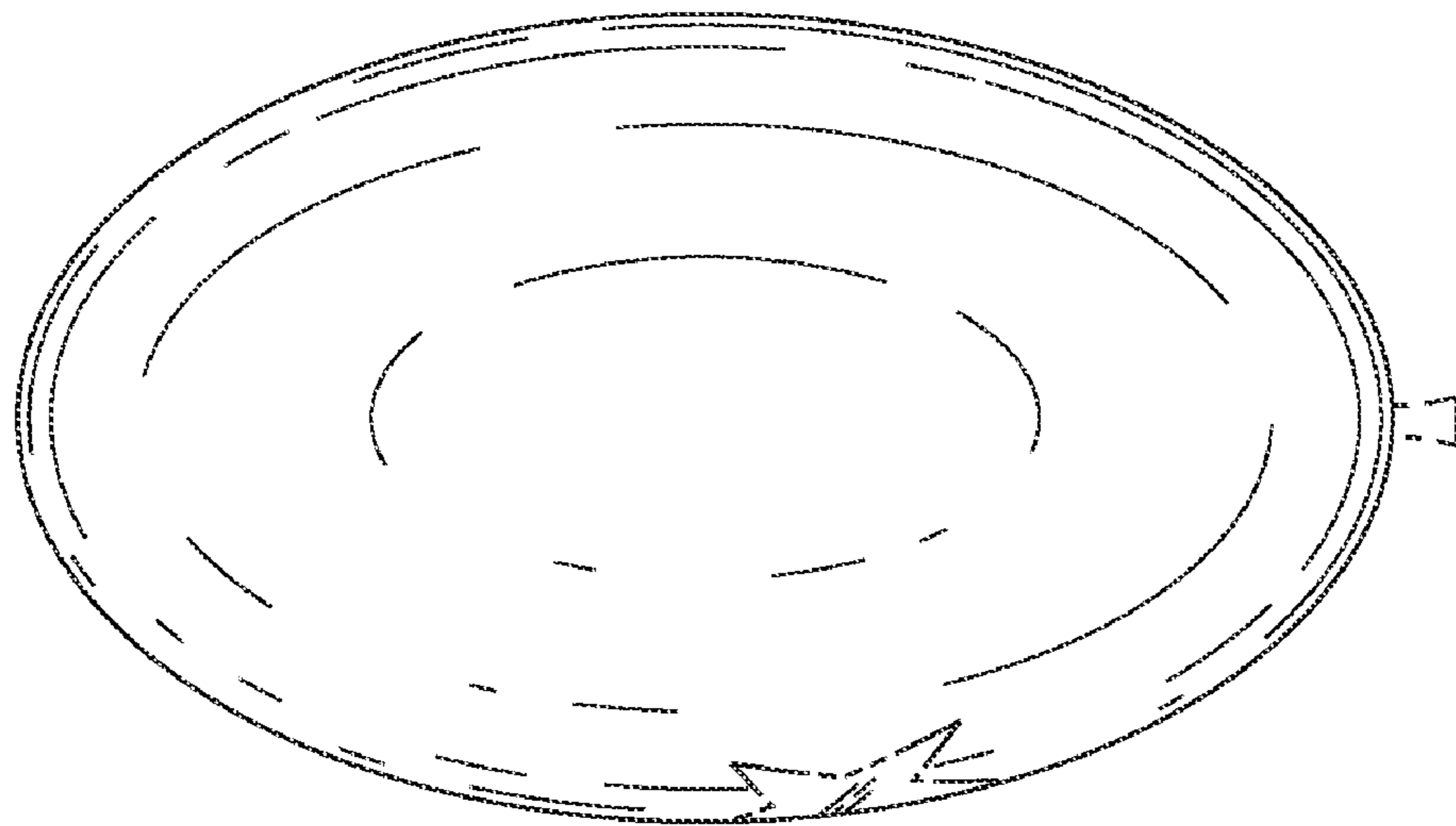


Fig. 25

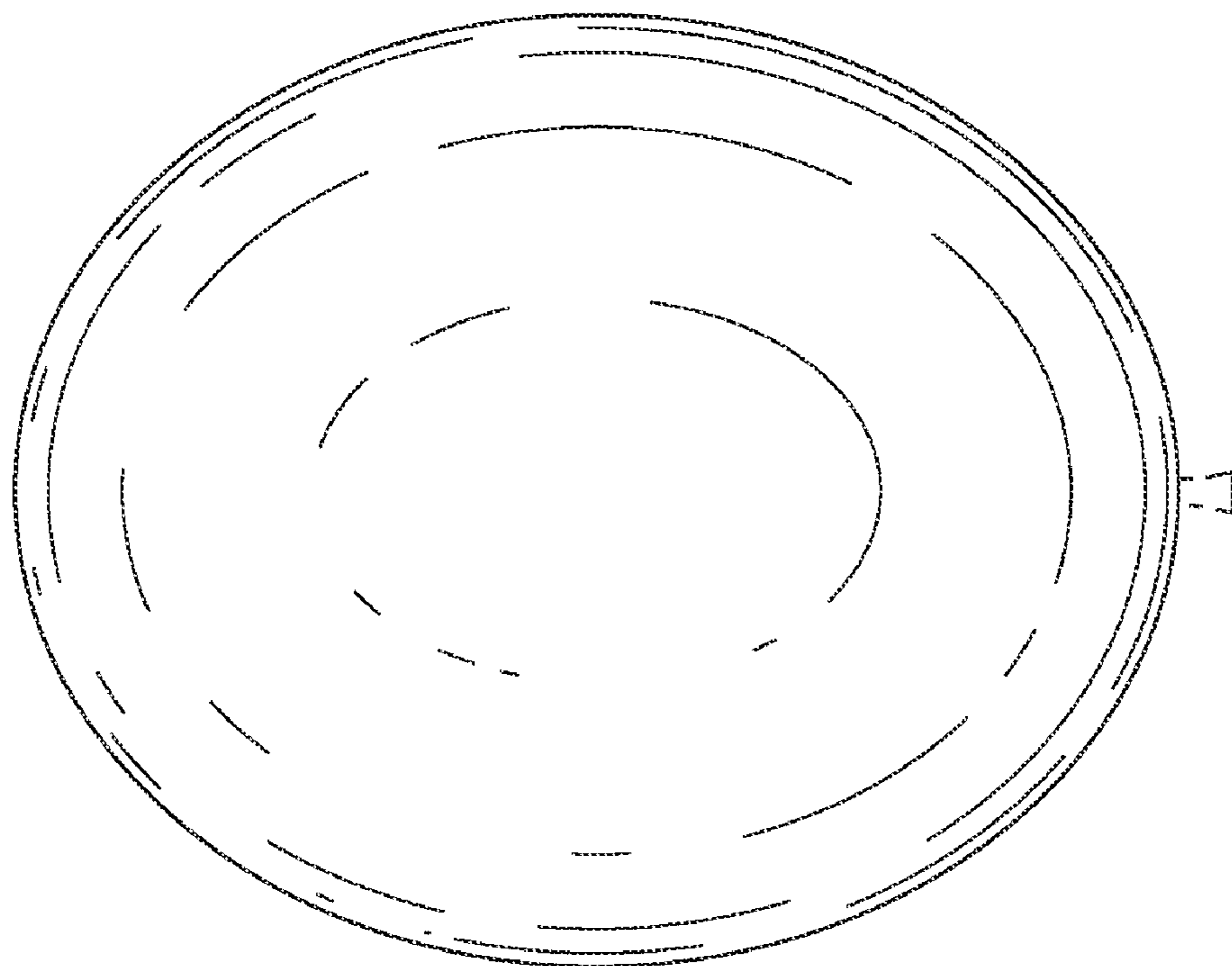


Fig. 24

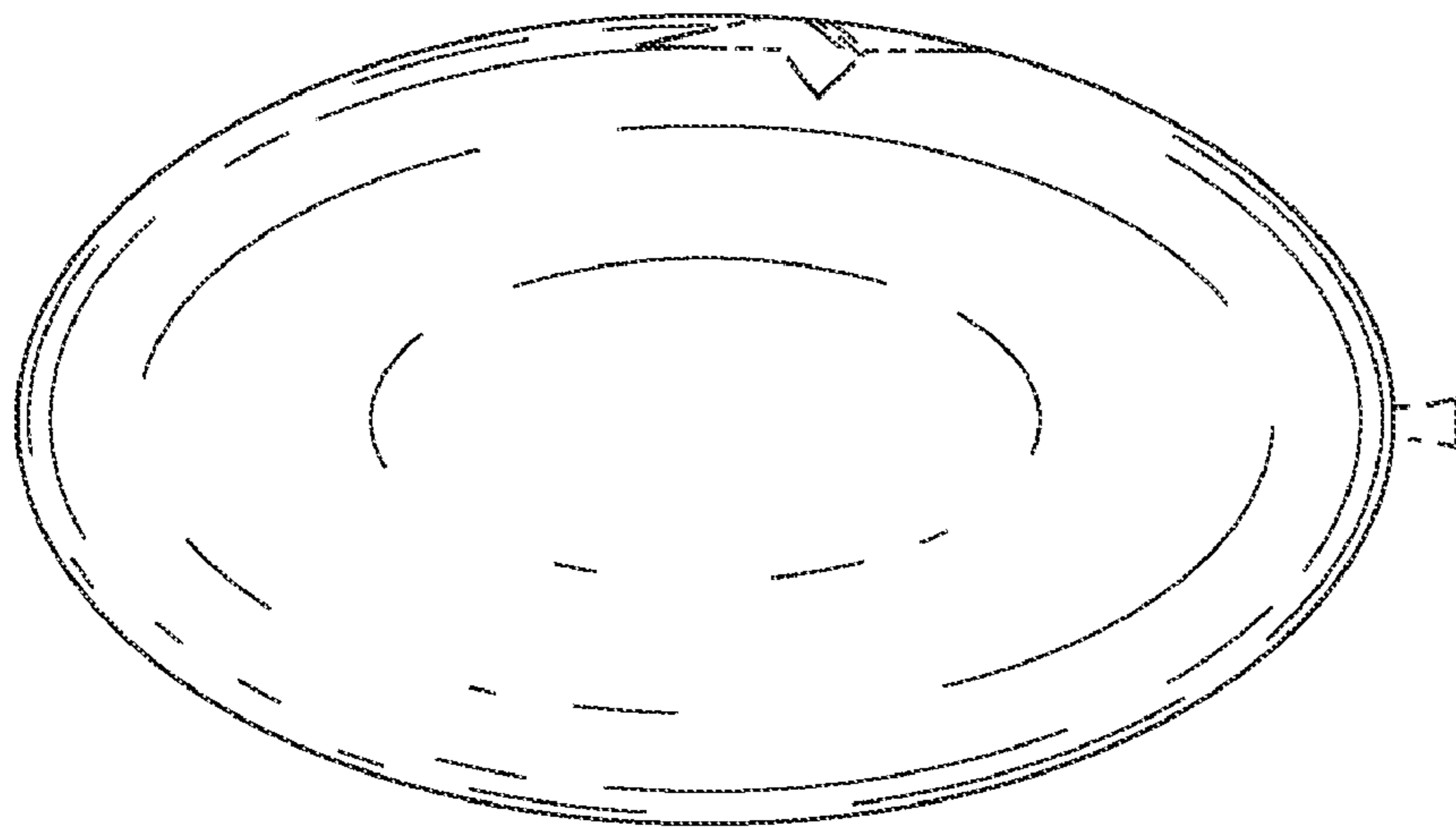


Fig. 26

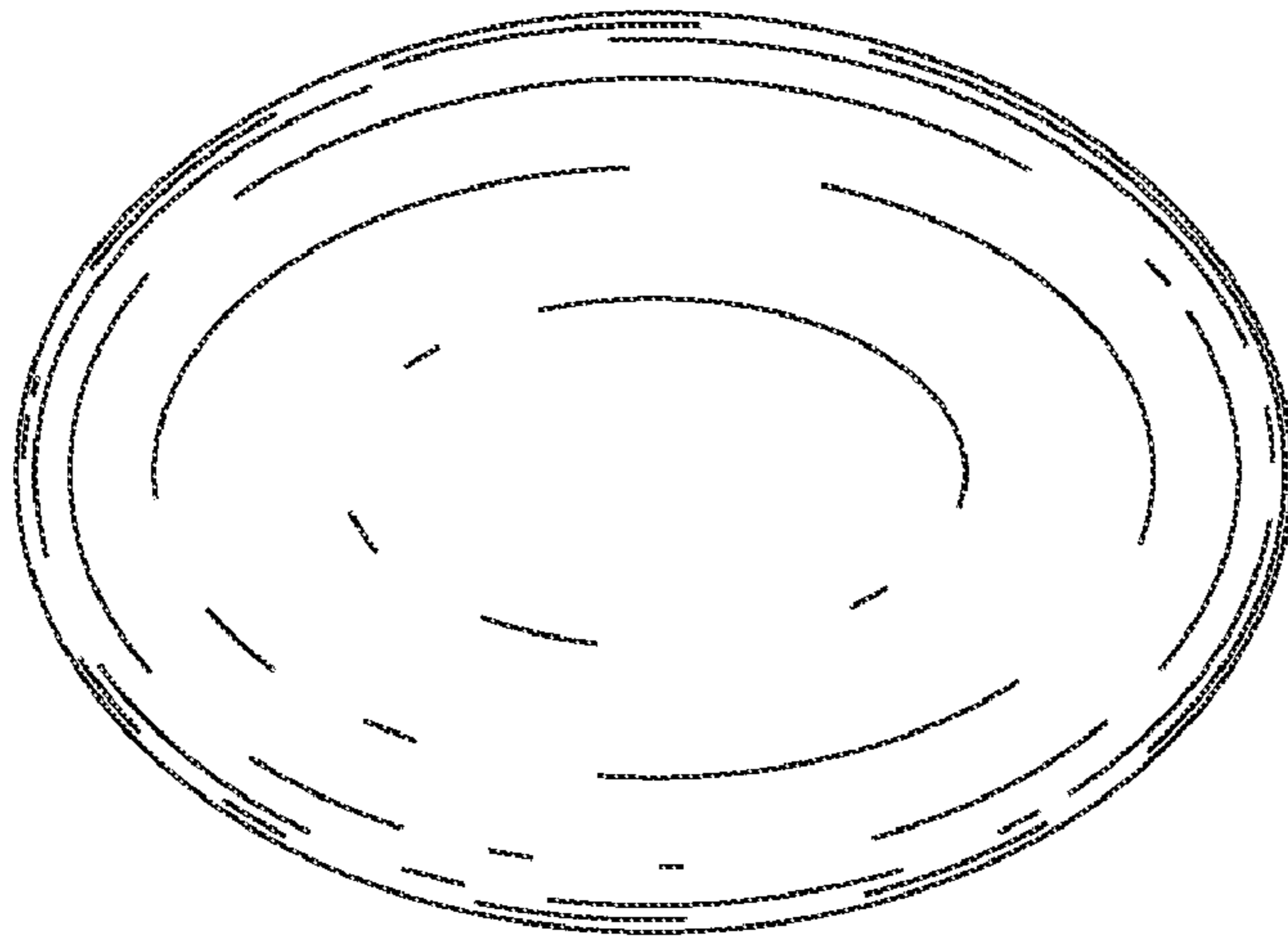


Fig. 27

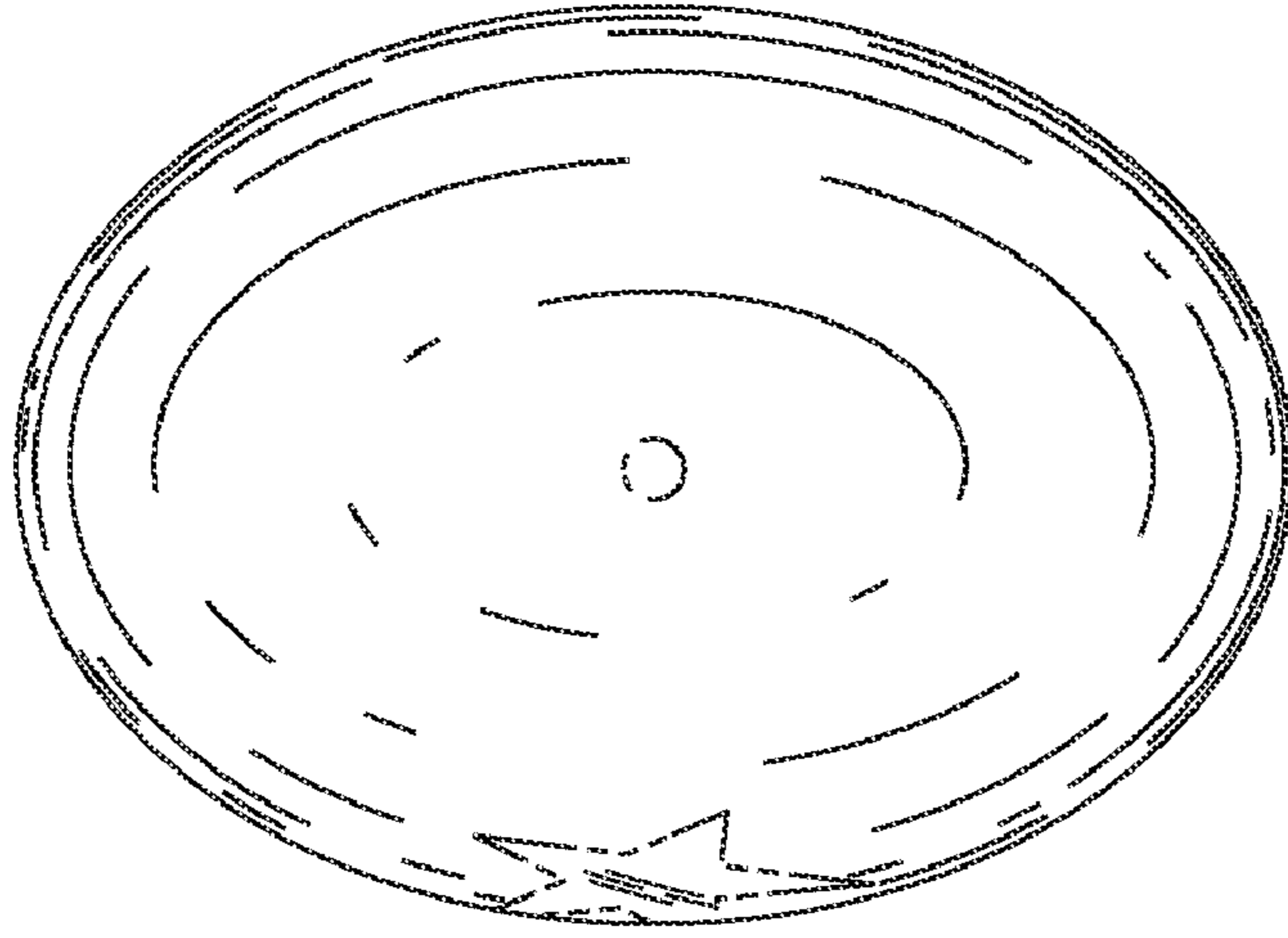


Fig. 28

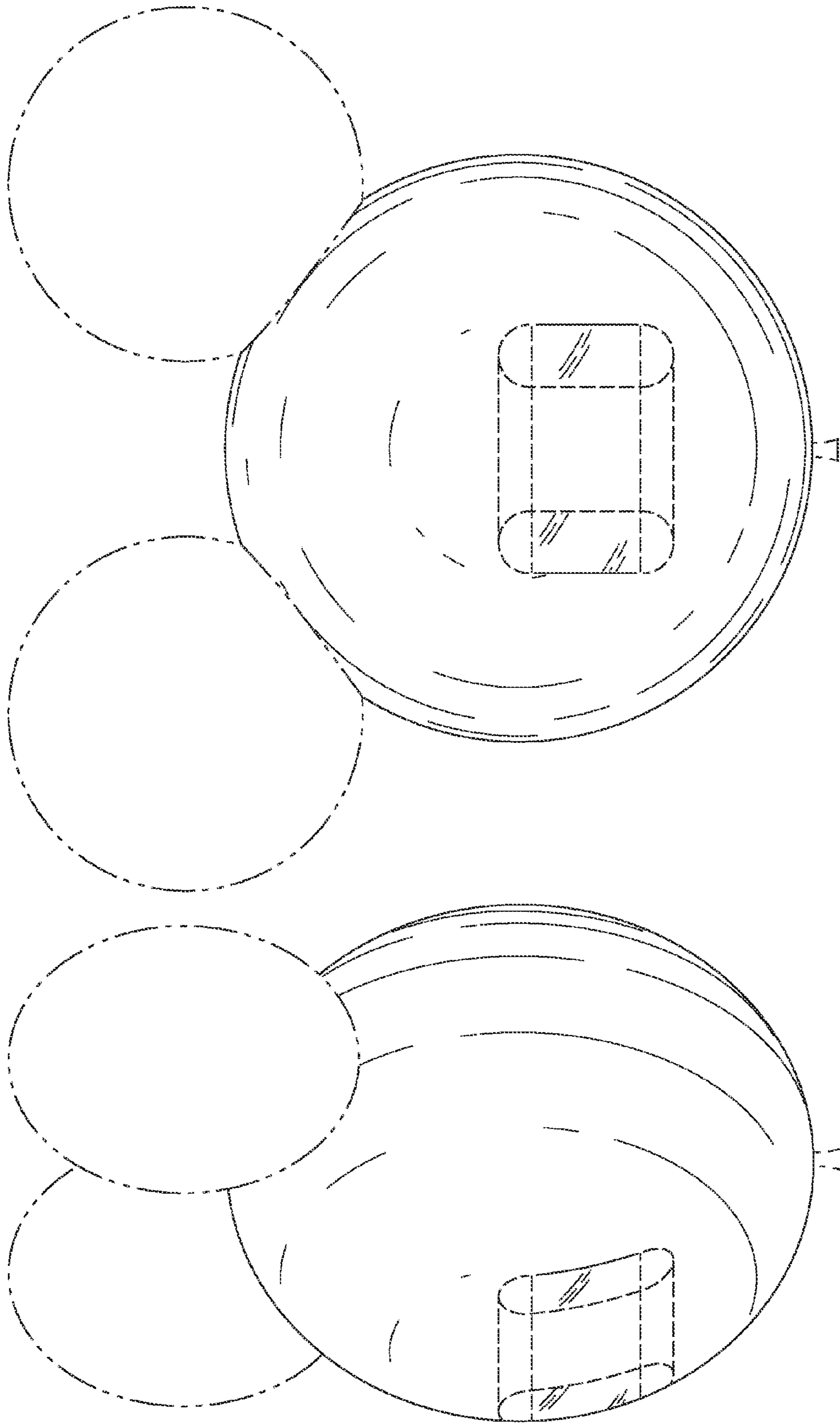


Fig. 30

Fig. 29

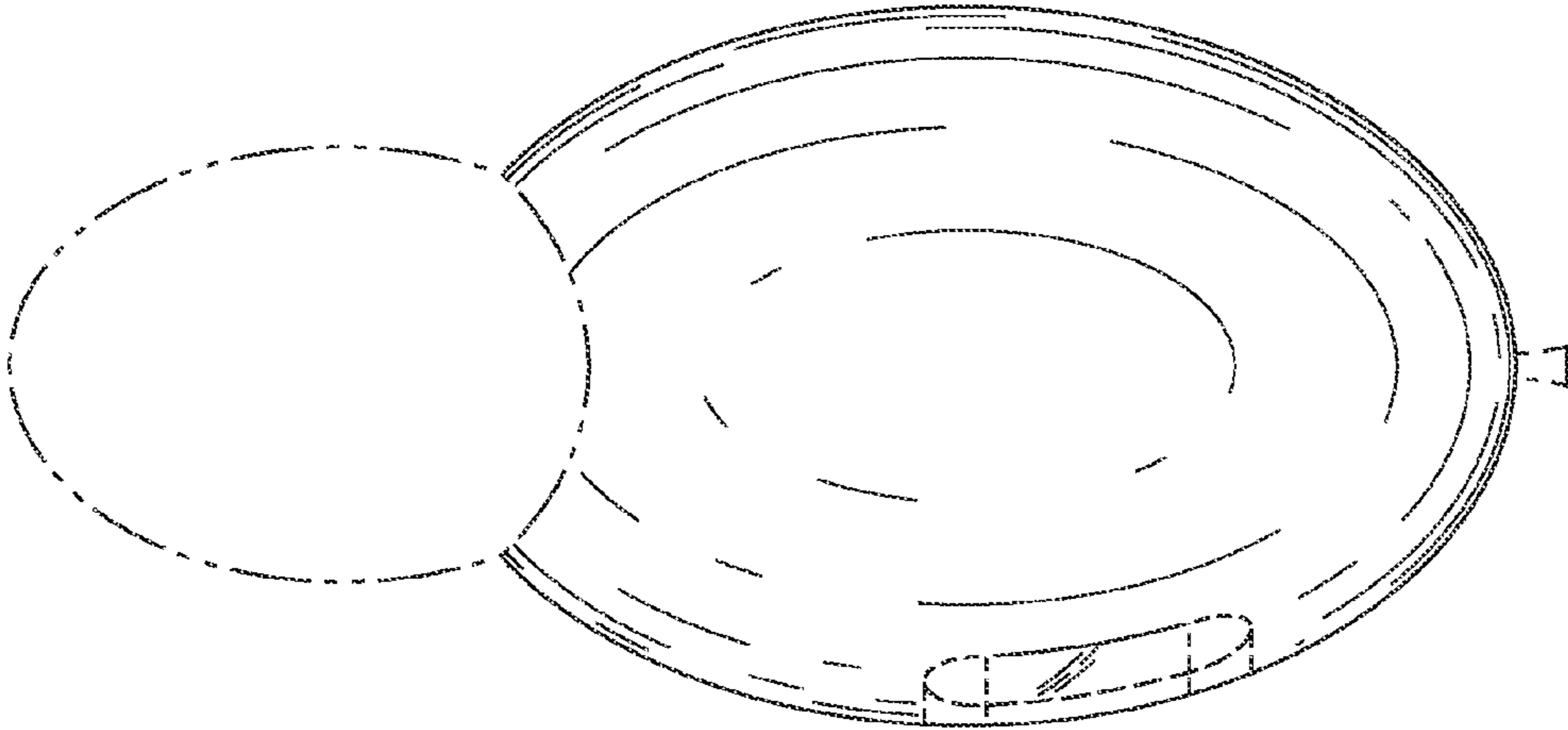


Fig. 32

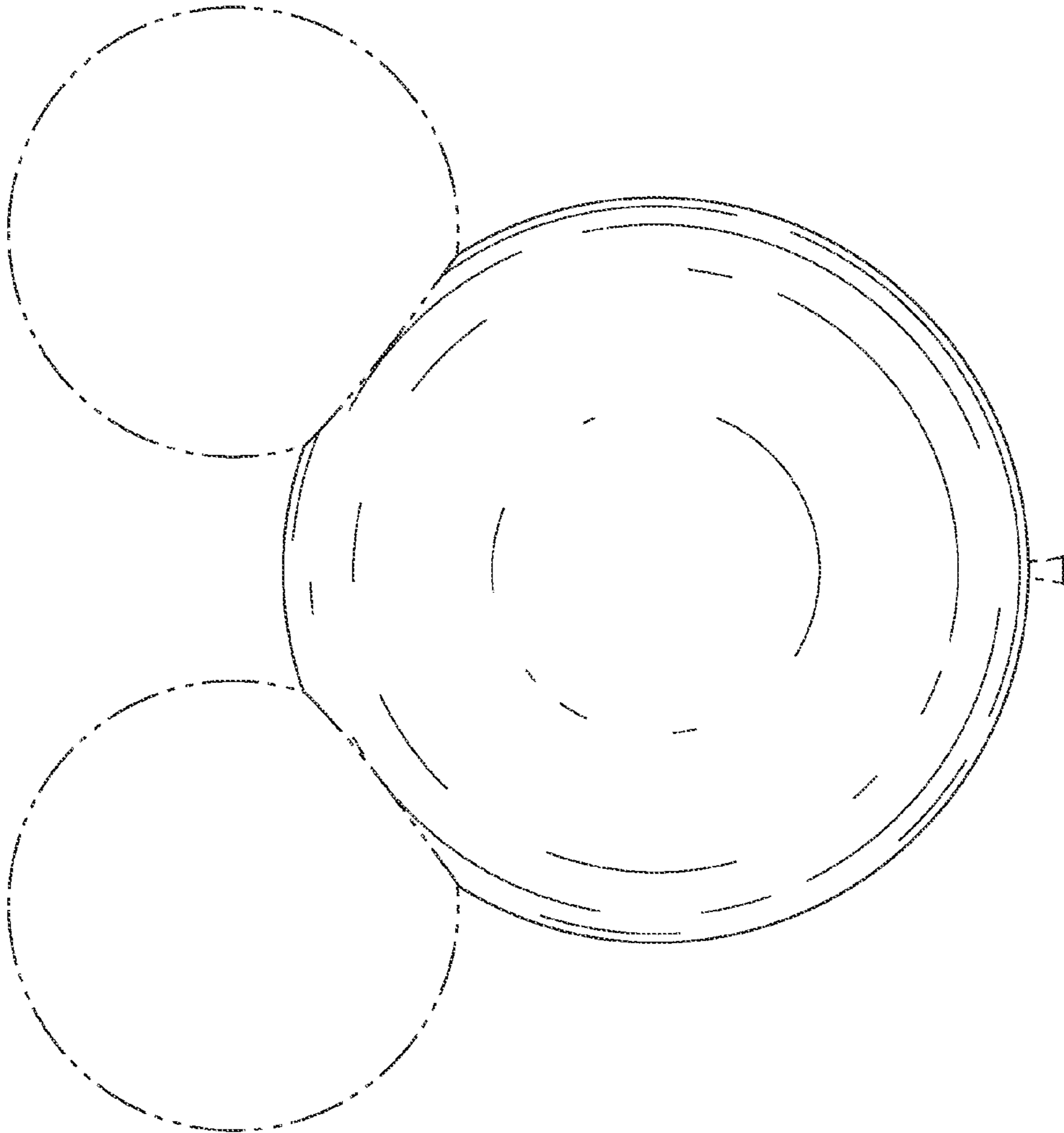


Fig. 31

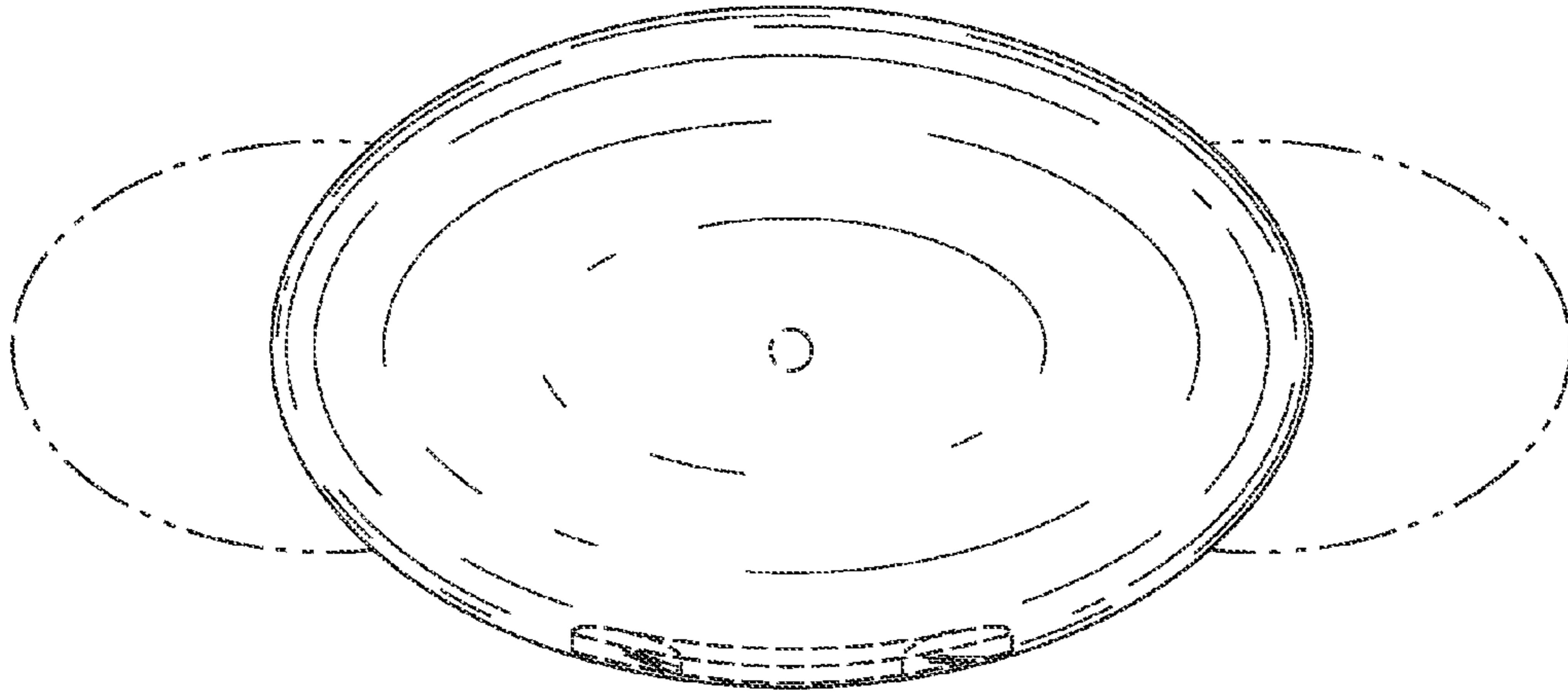


Fig. 35

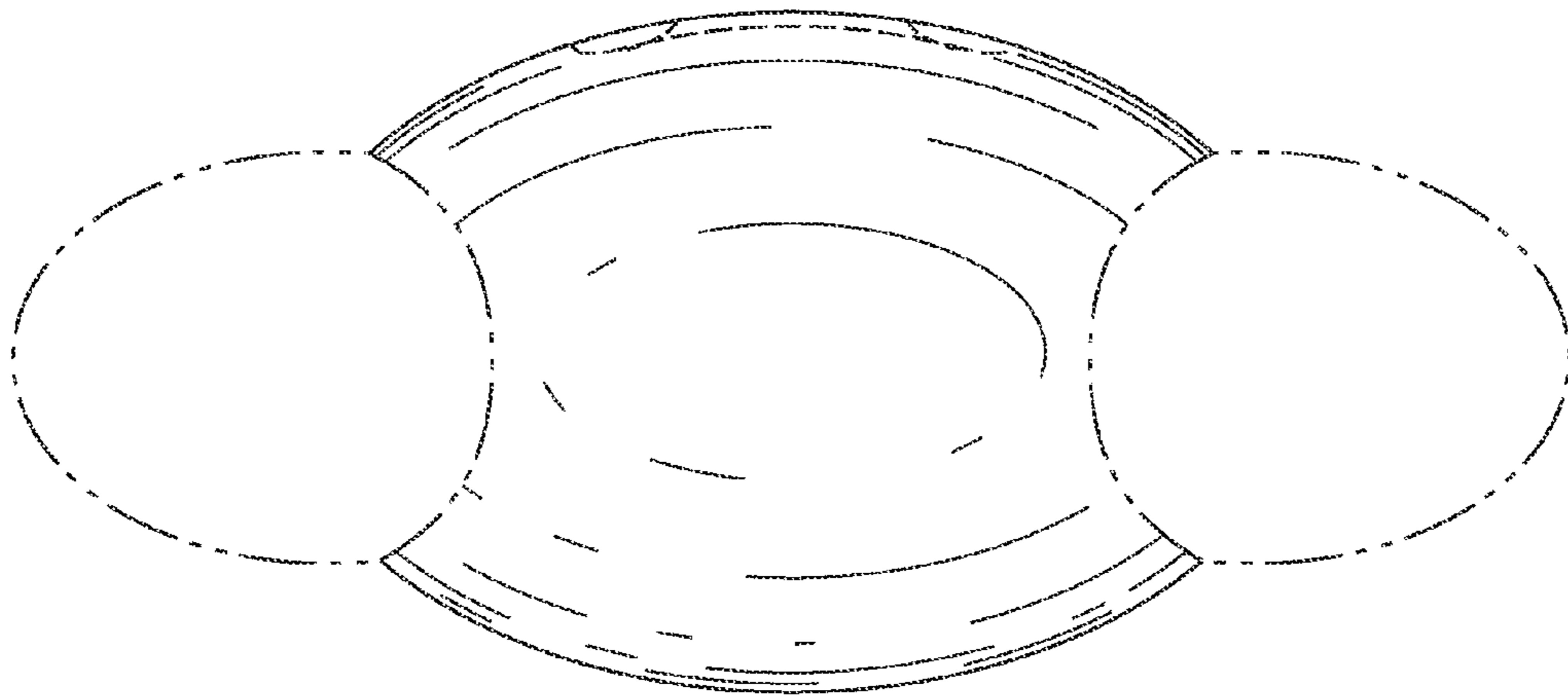


Fig. 34

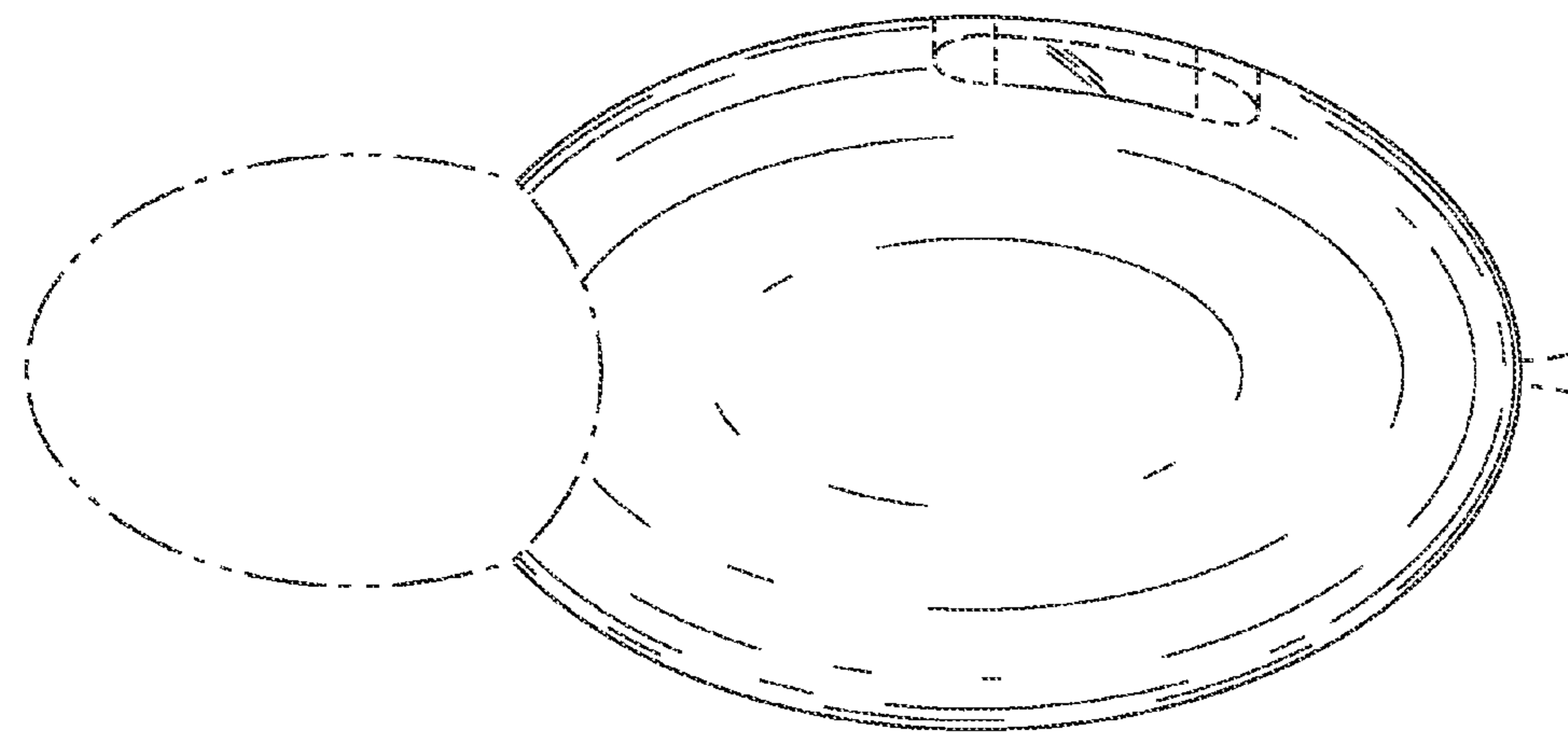


Fig. 33

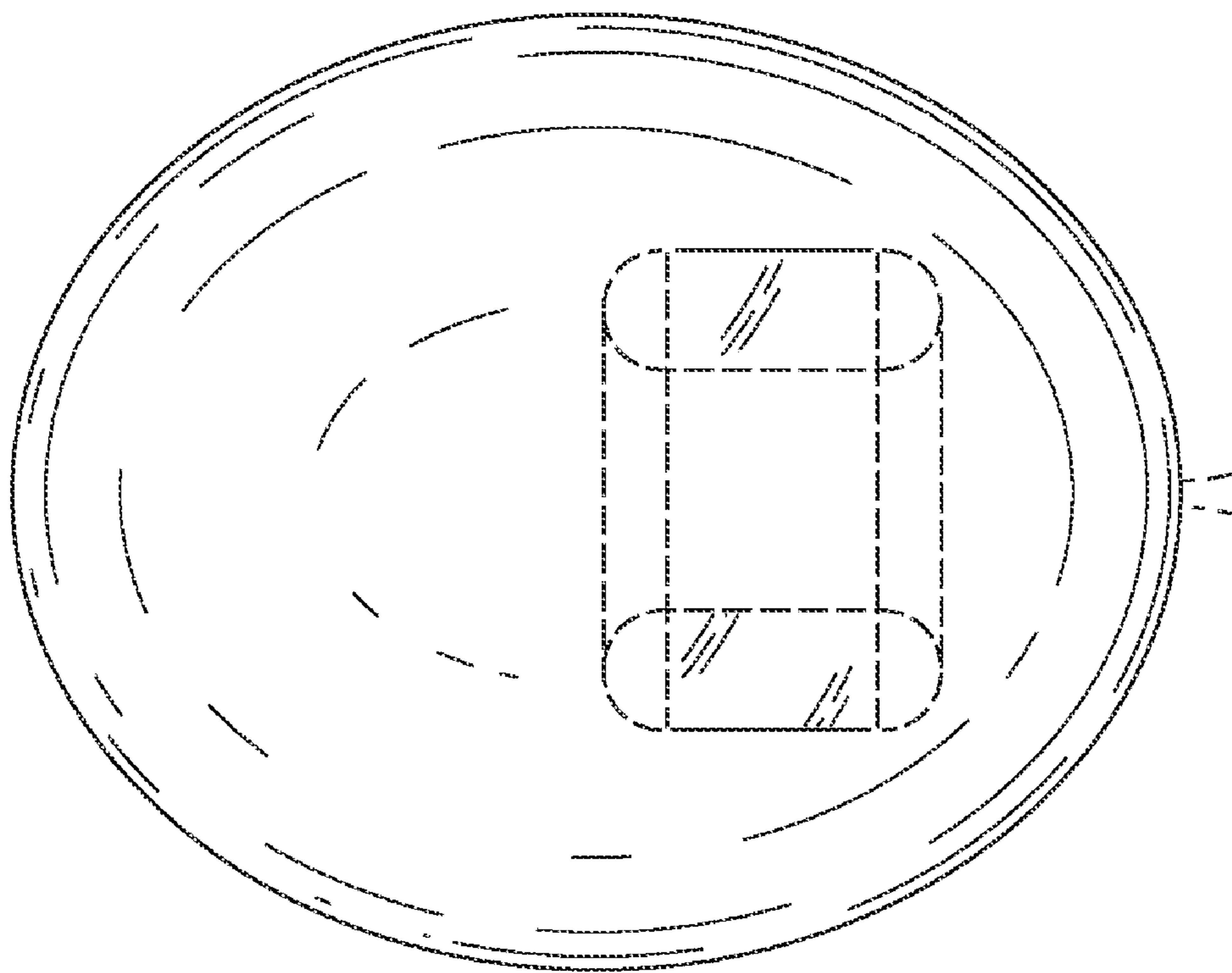


Fig. 37

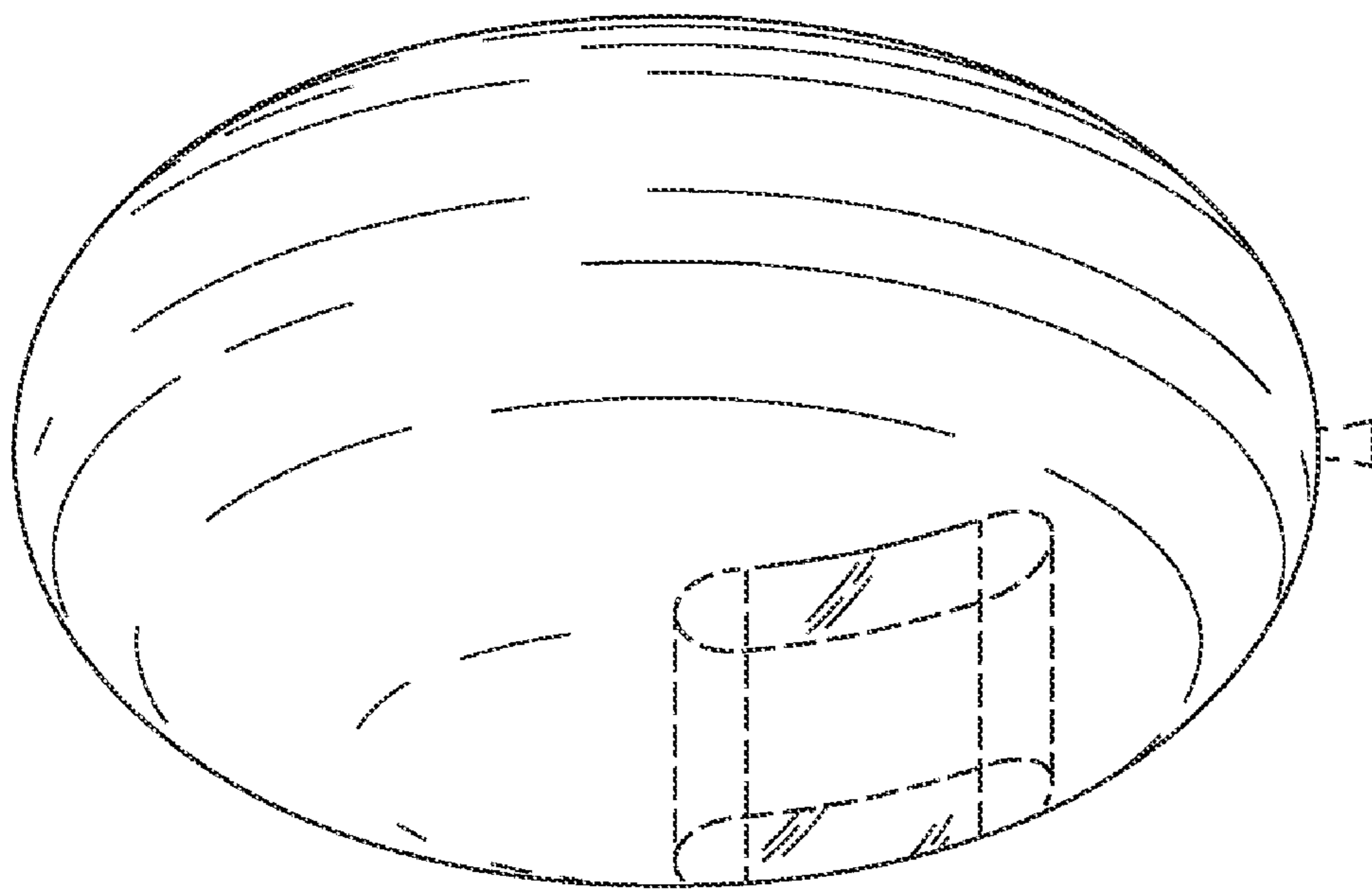


Fig. 36

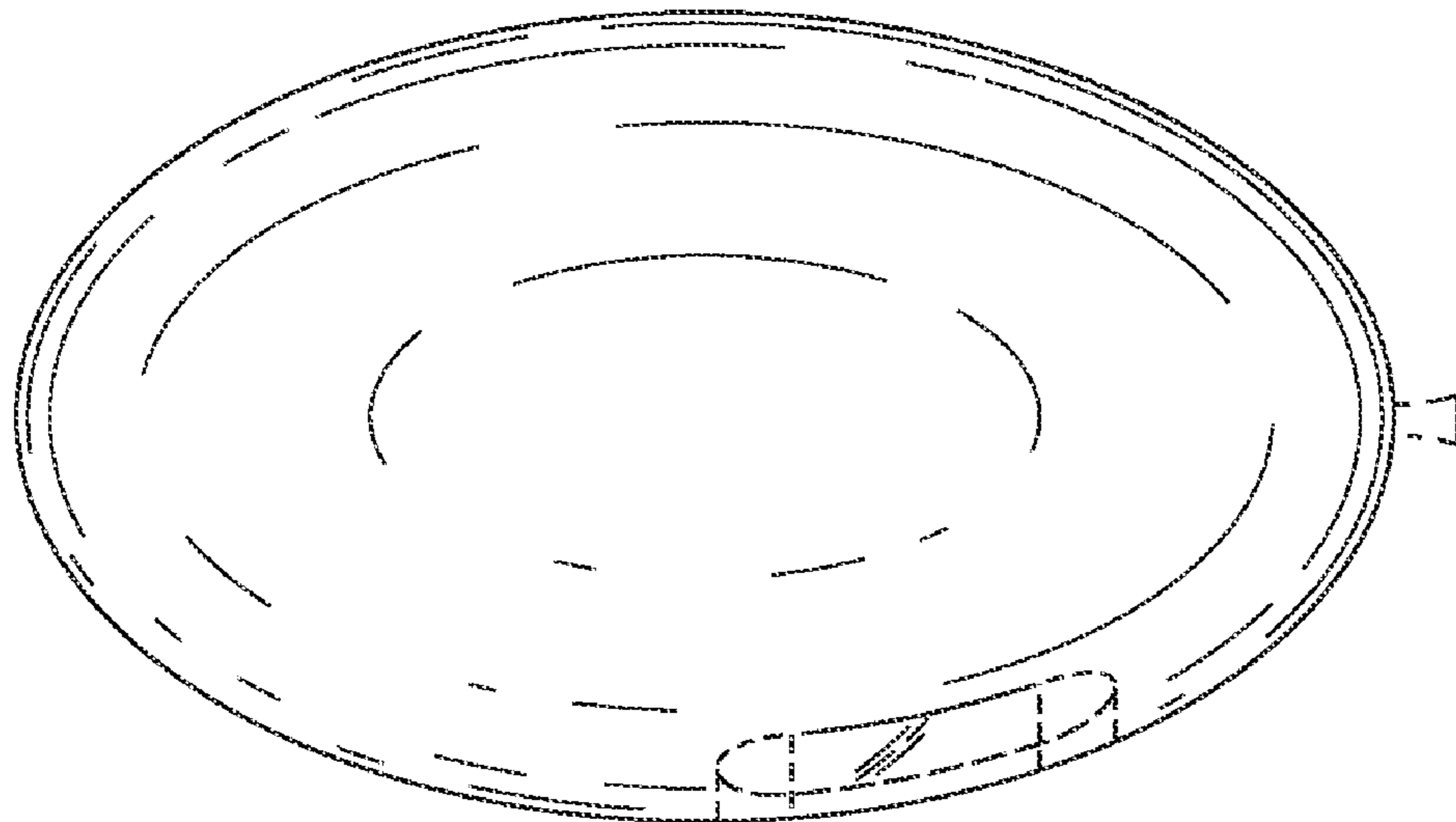


Fig. 39

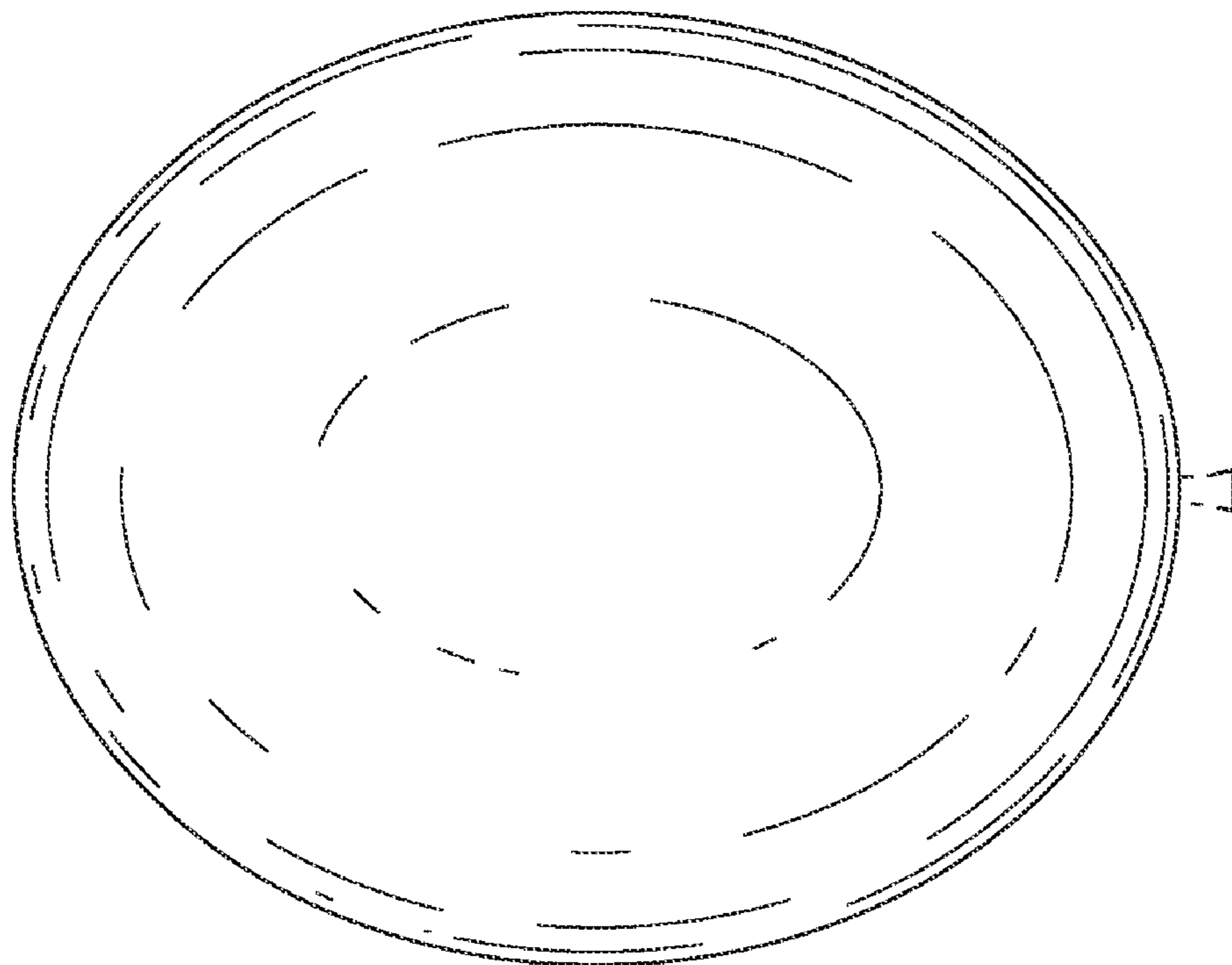


Fig. 38

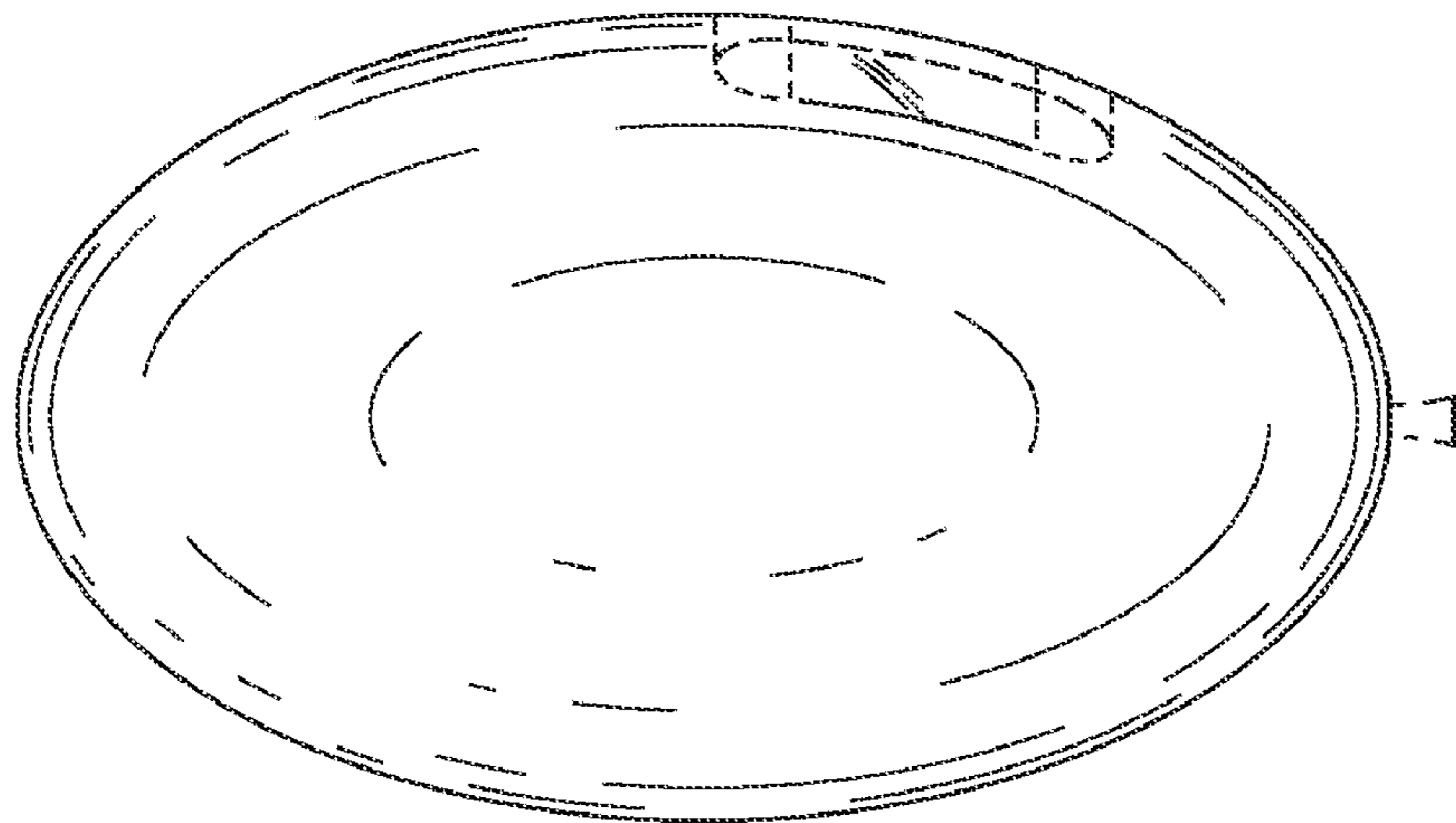


Fig. 40

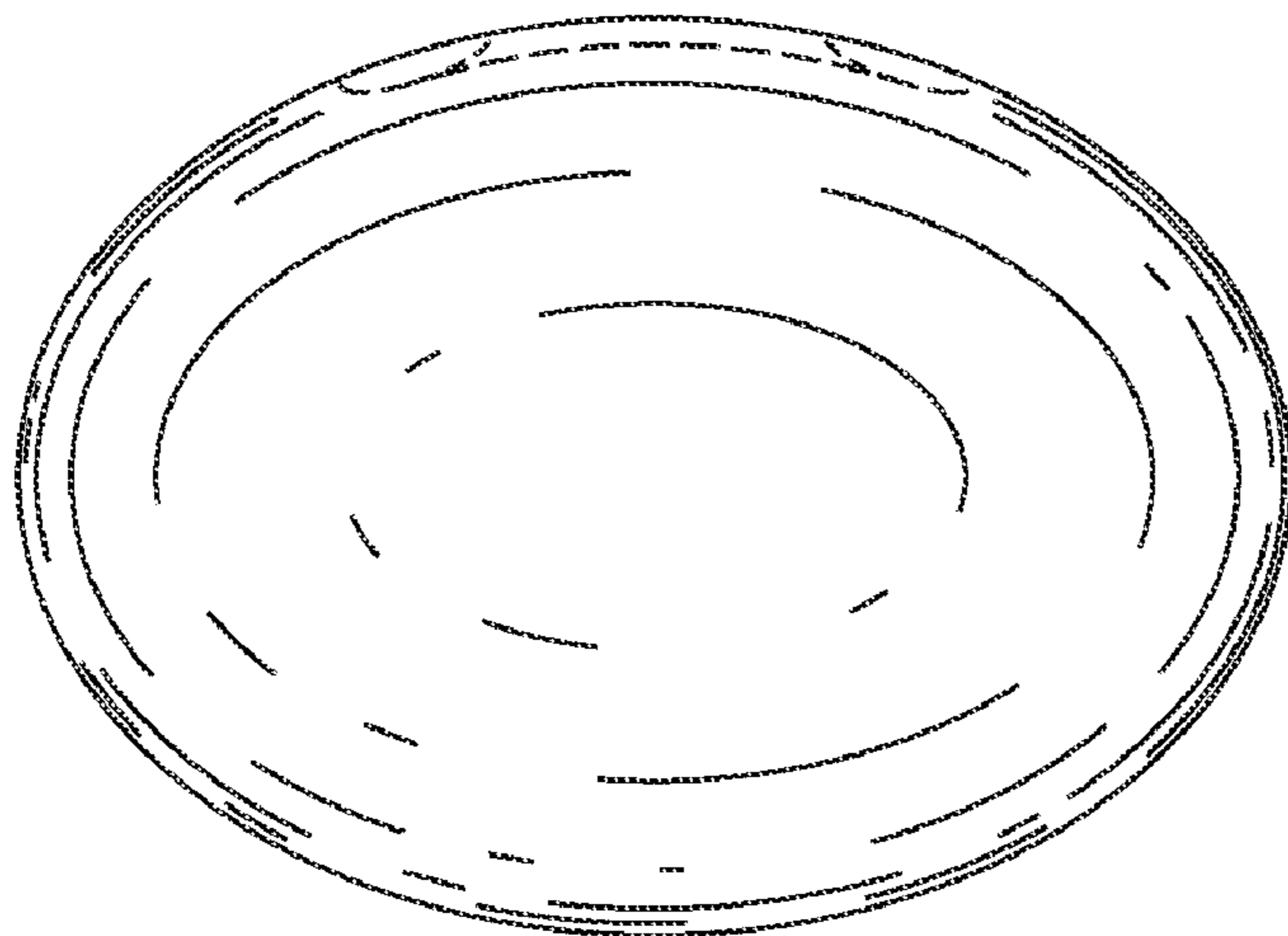


Fig. 41

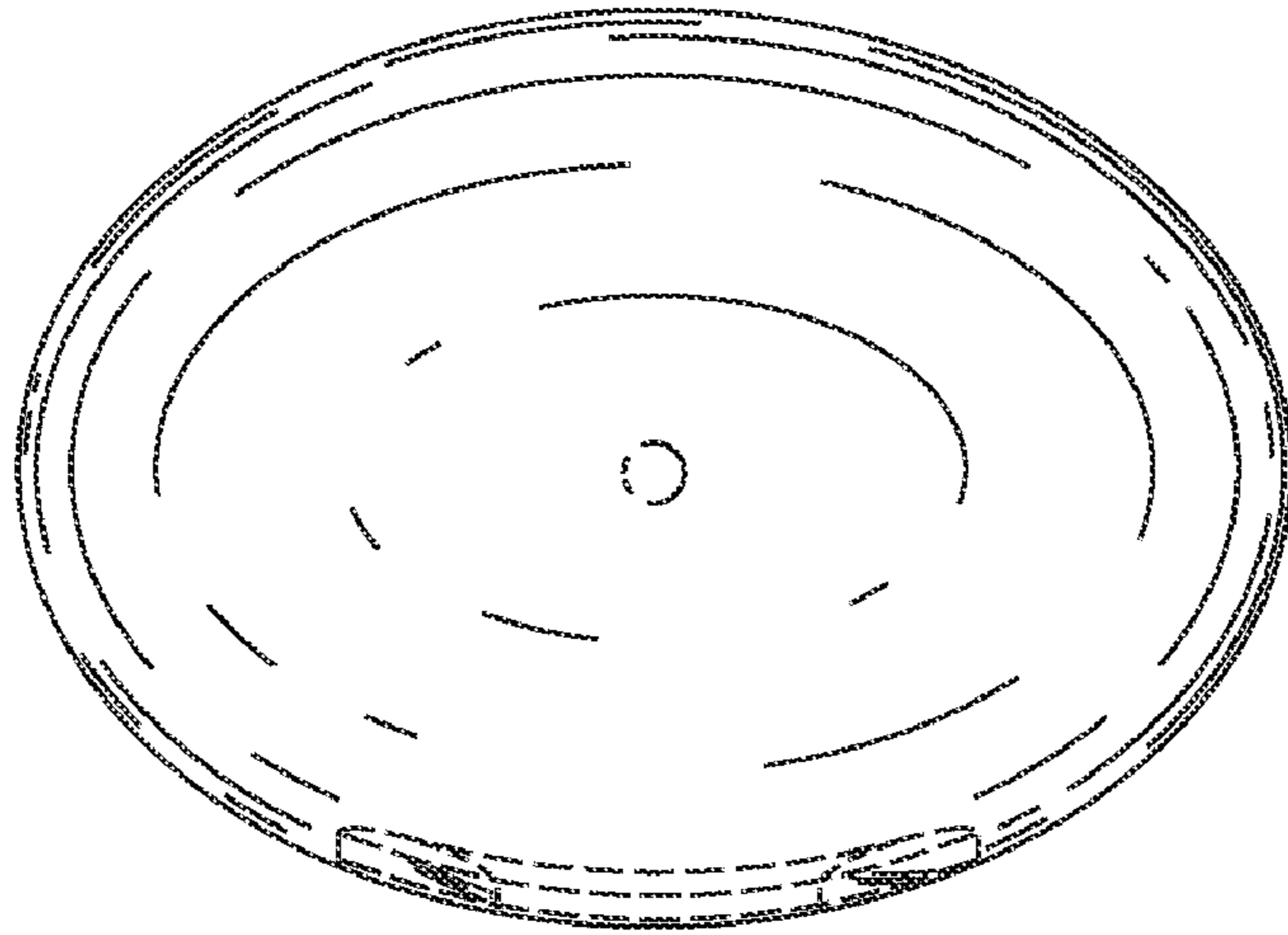


Fig. 42

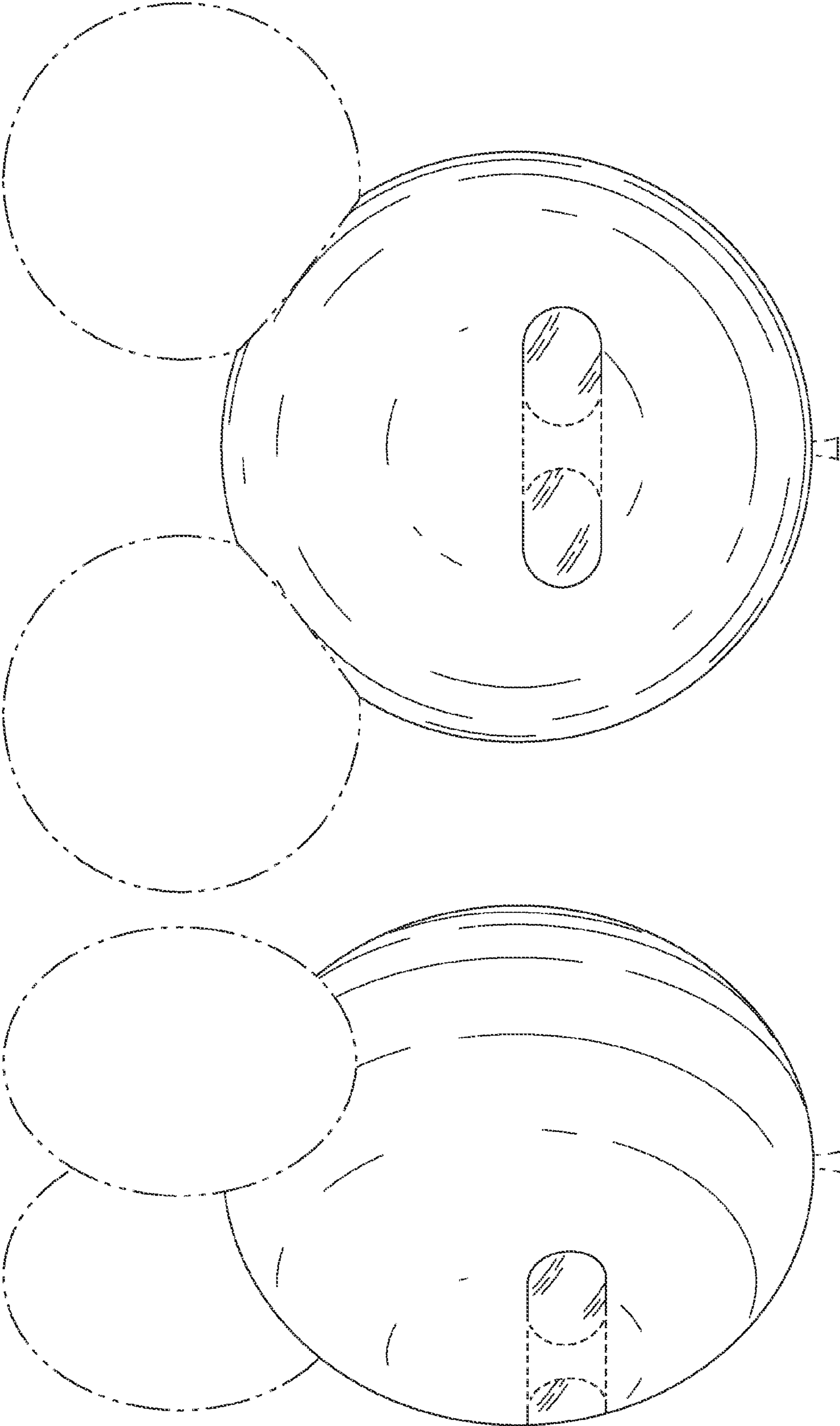


Fig. 44

Fig. 43

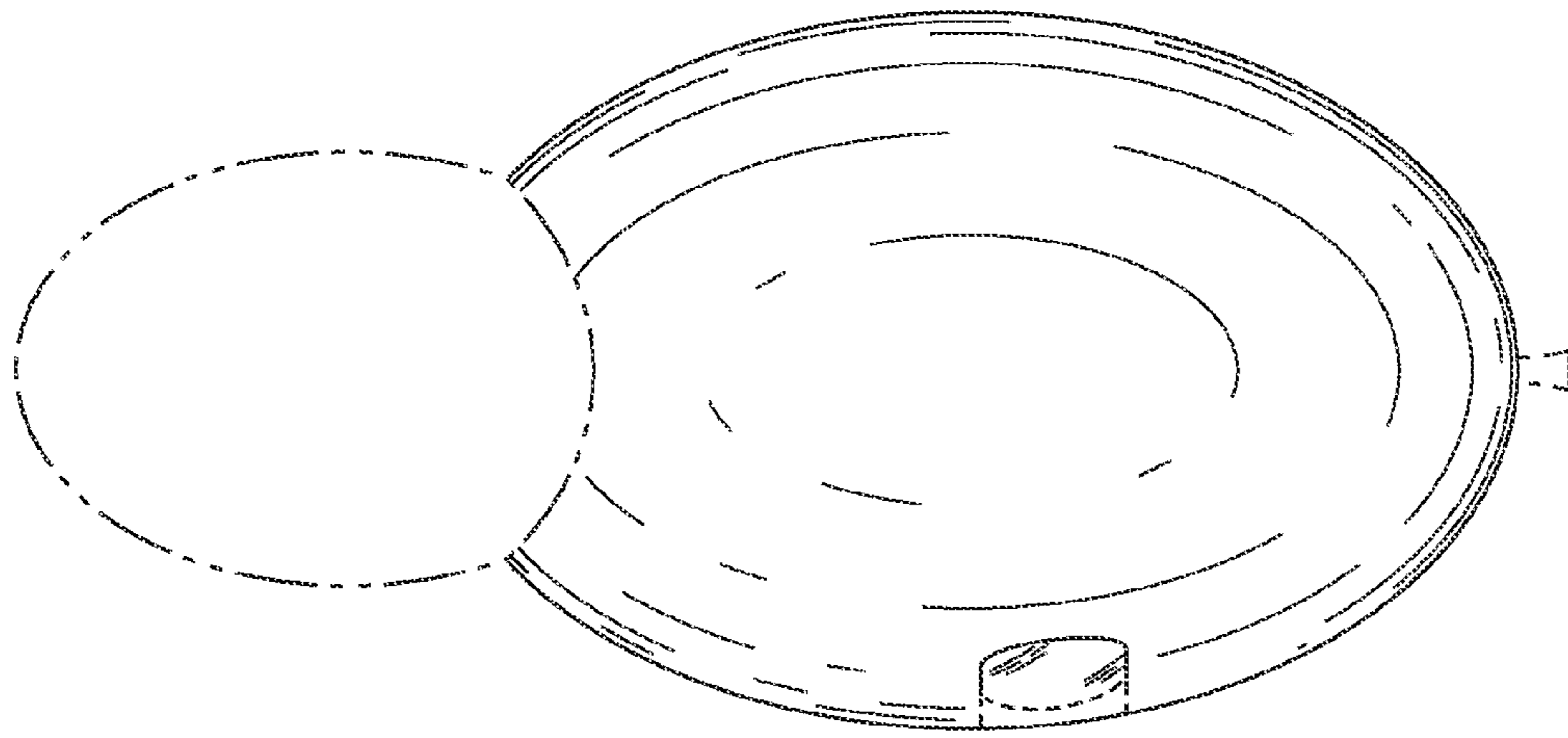


Fig. 46

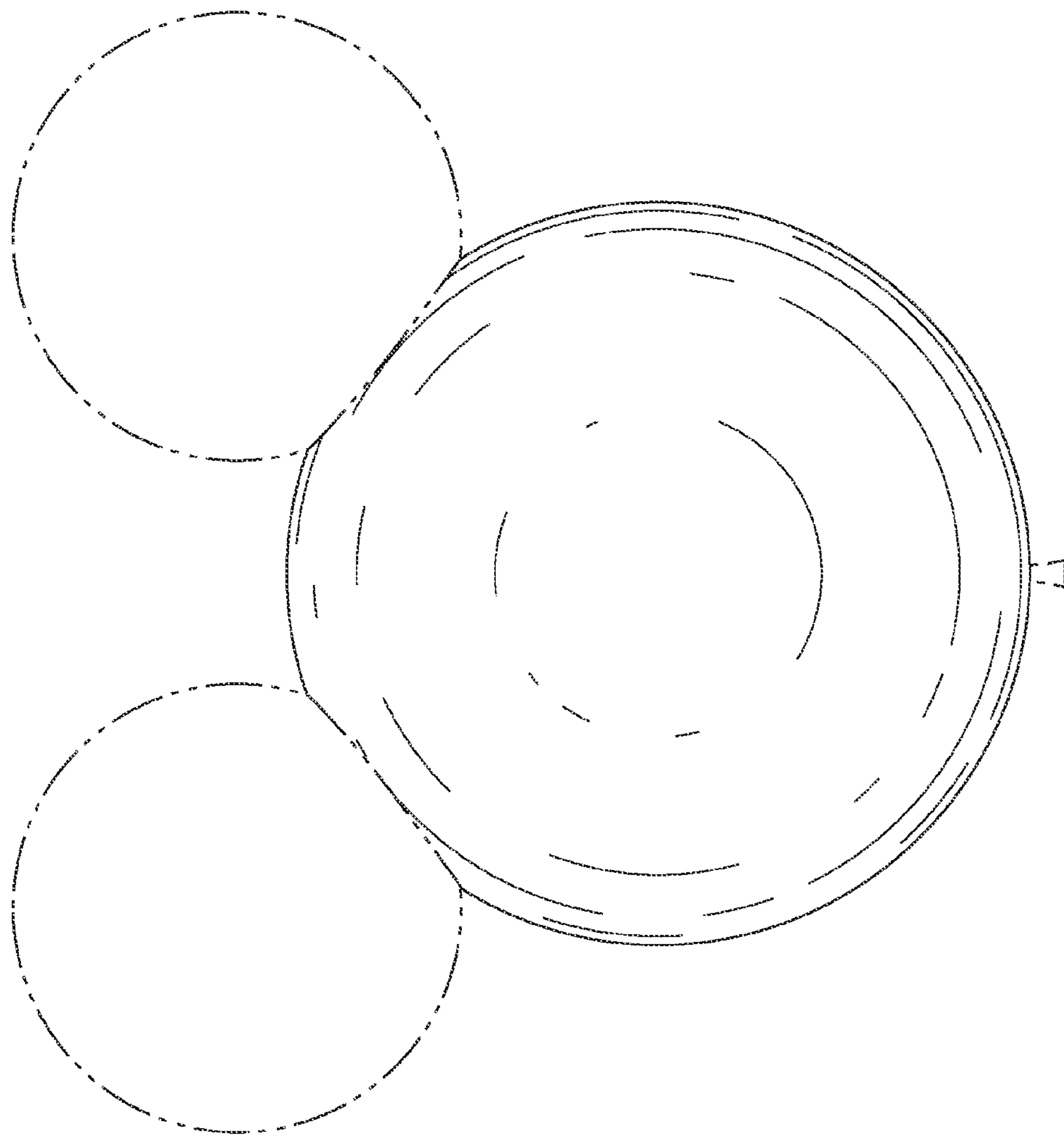


Fig. 45

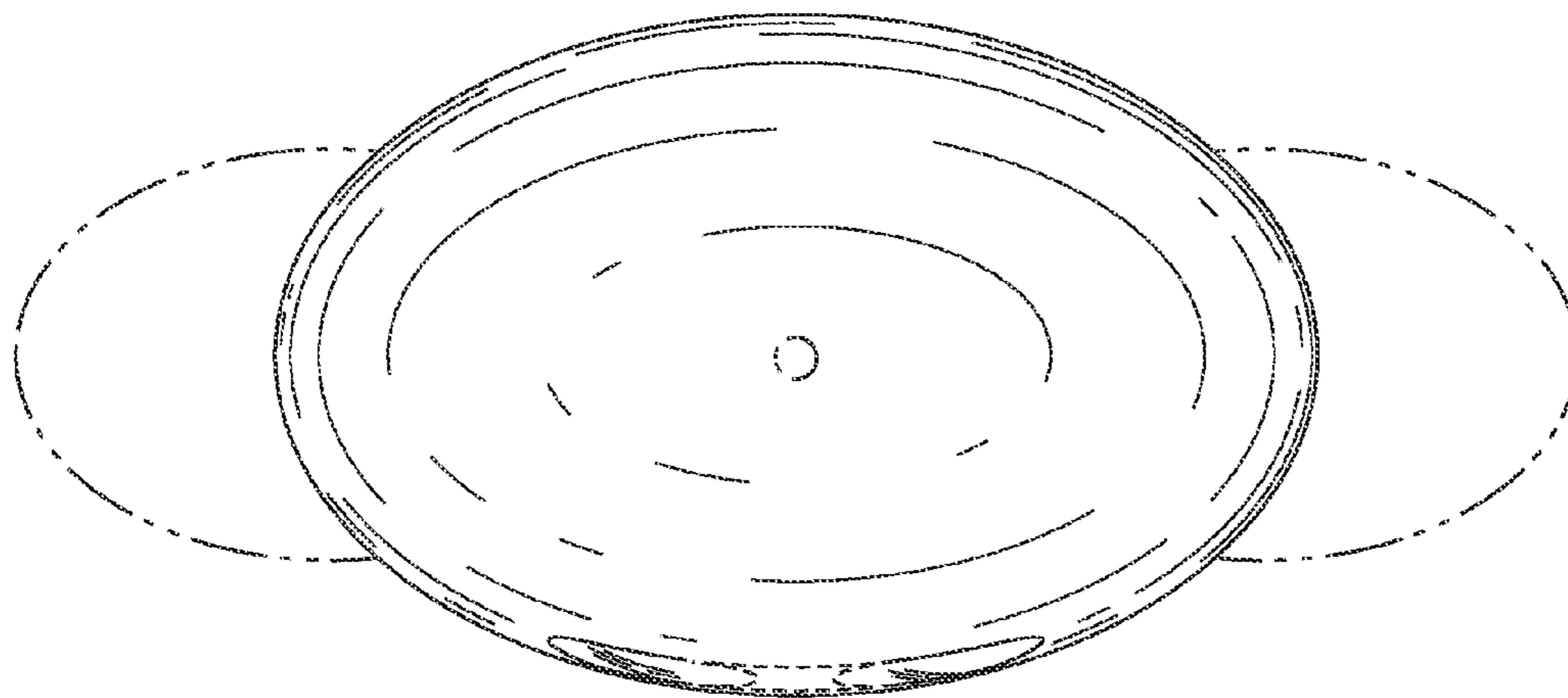


Fig. 49

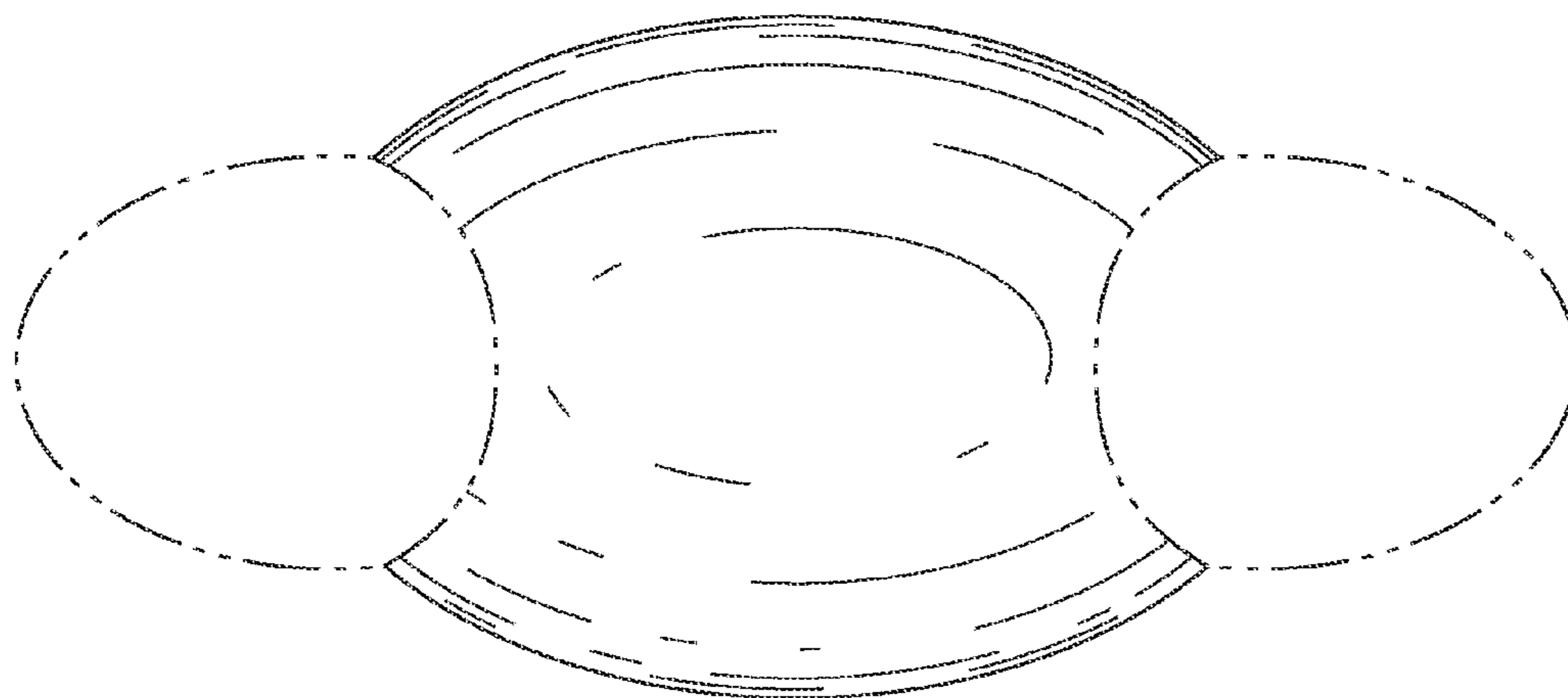


Fig. 48

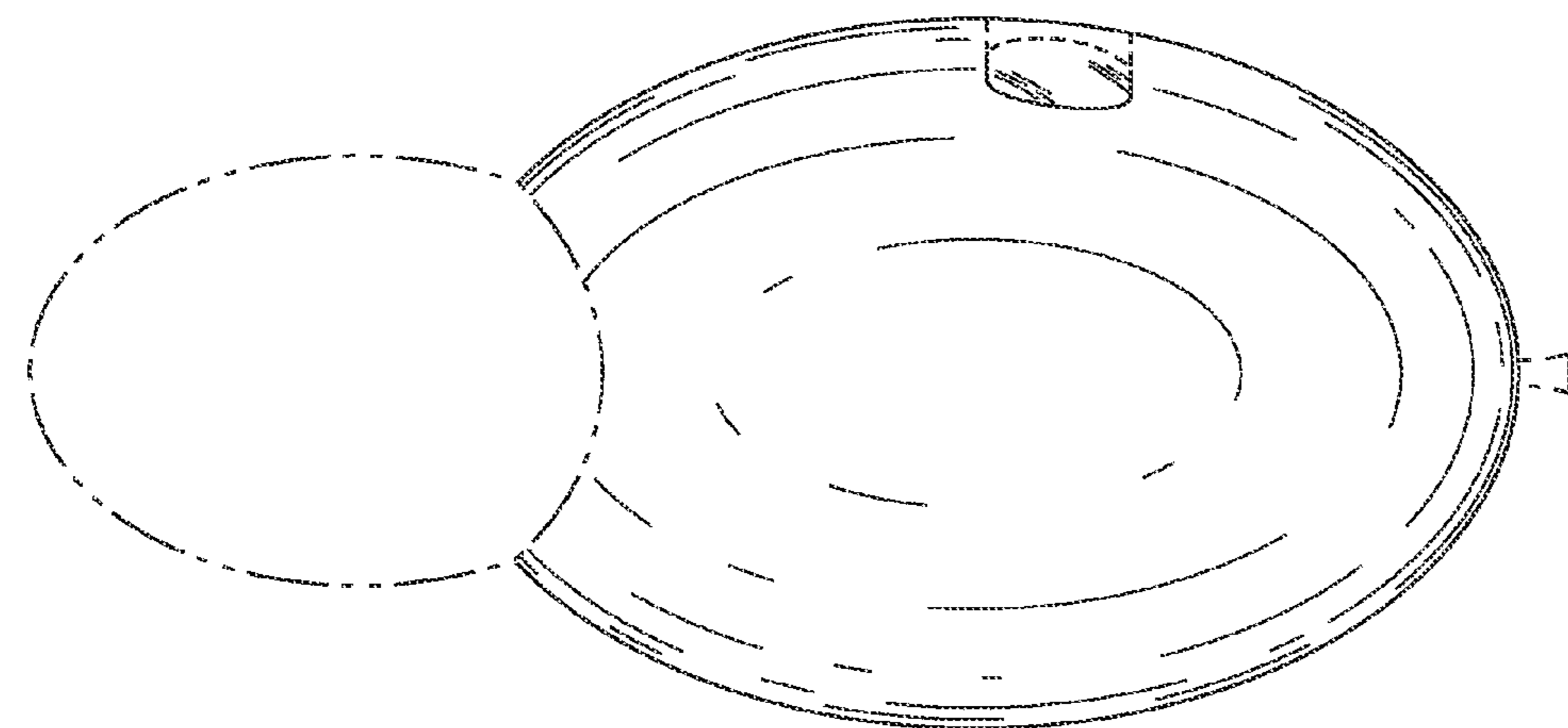


Fig. 47

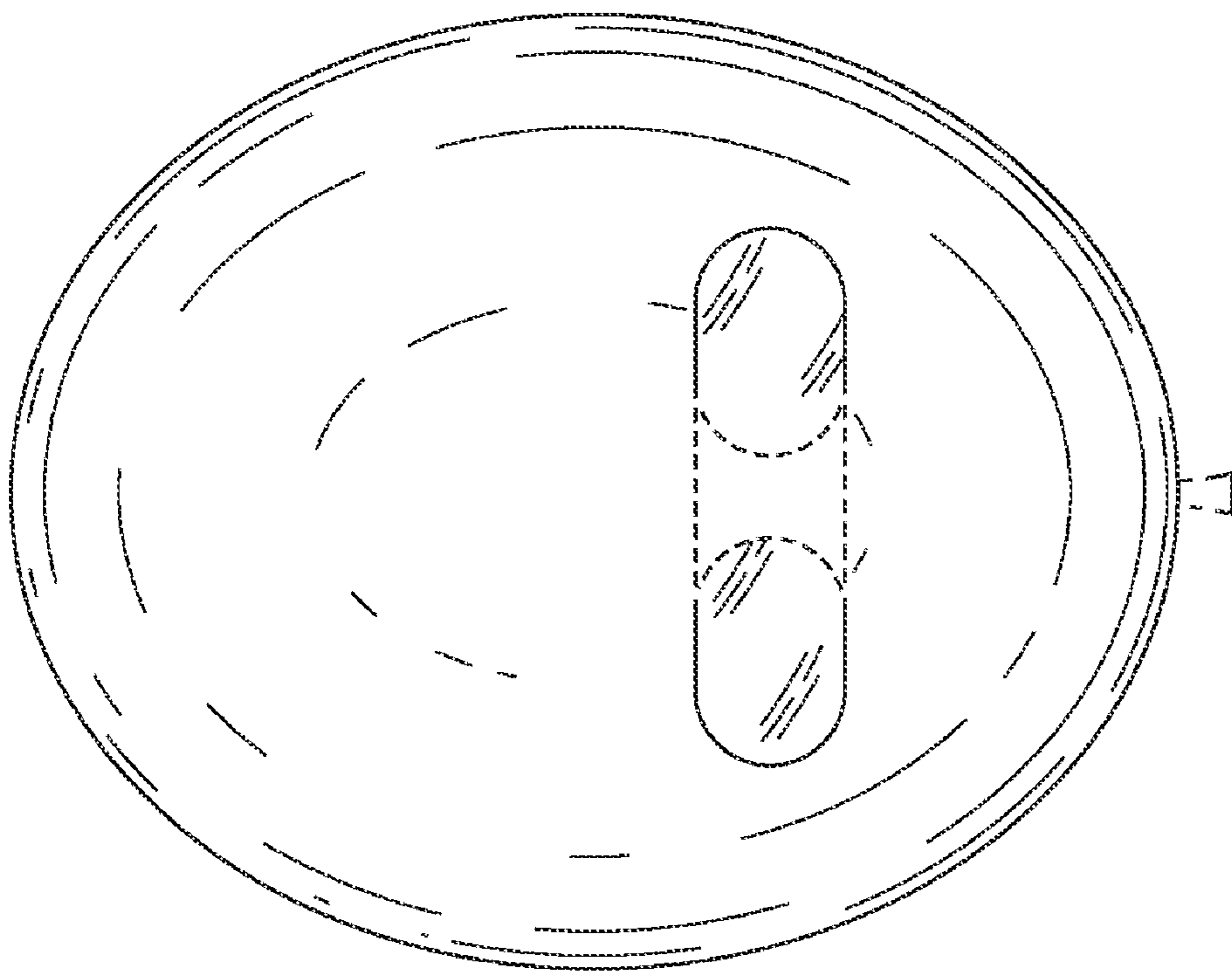


Fig. 51

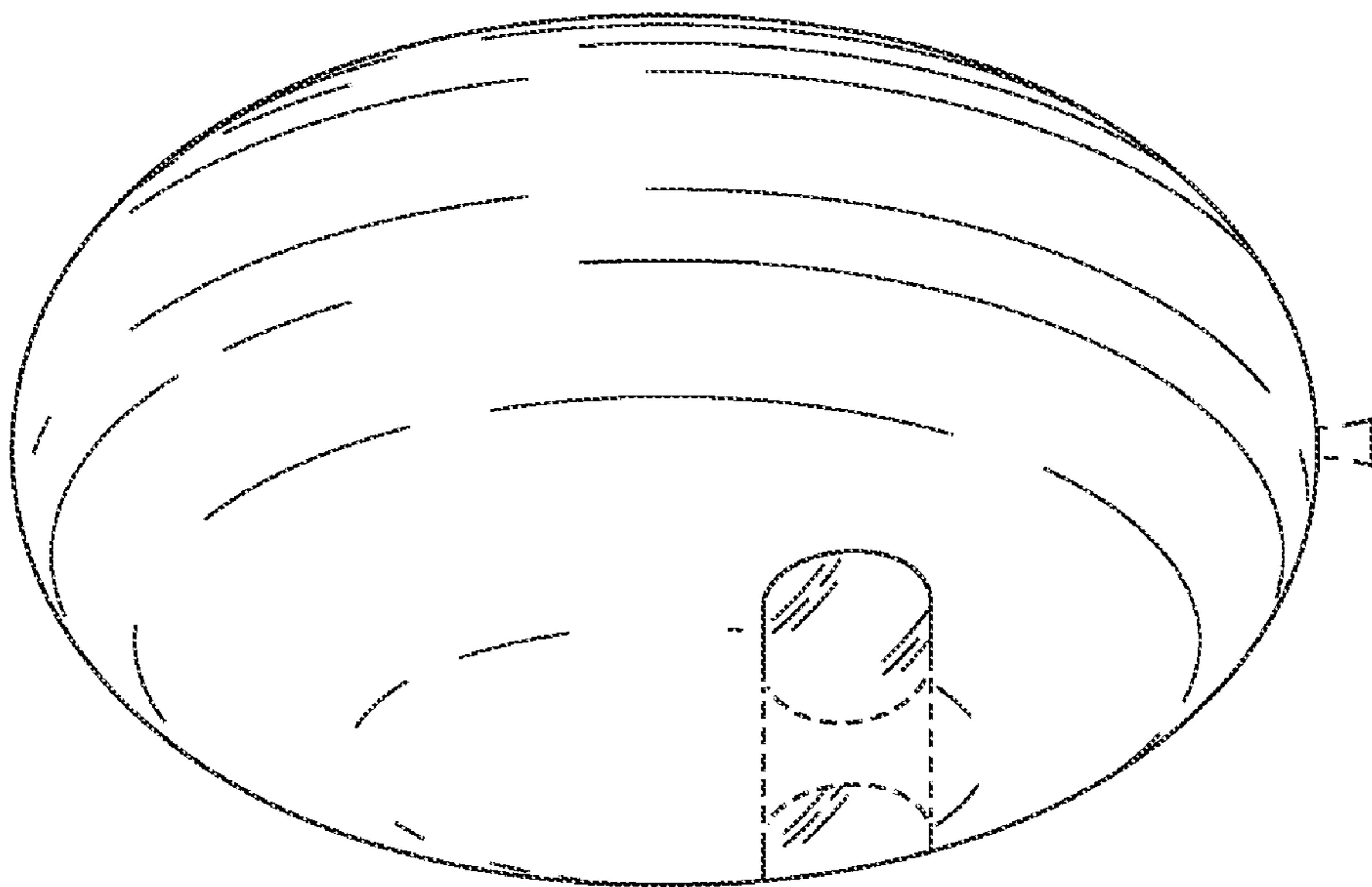


Fig. 50

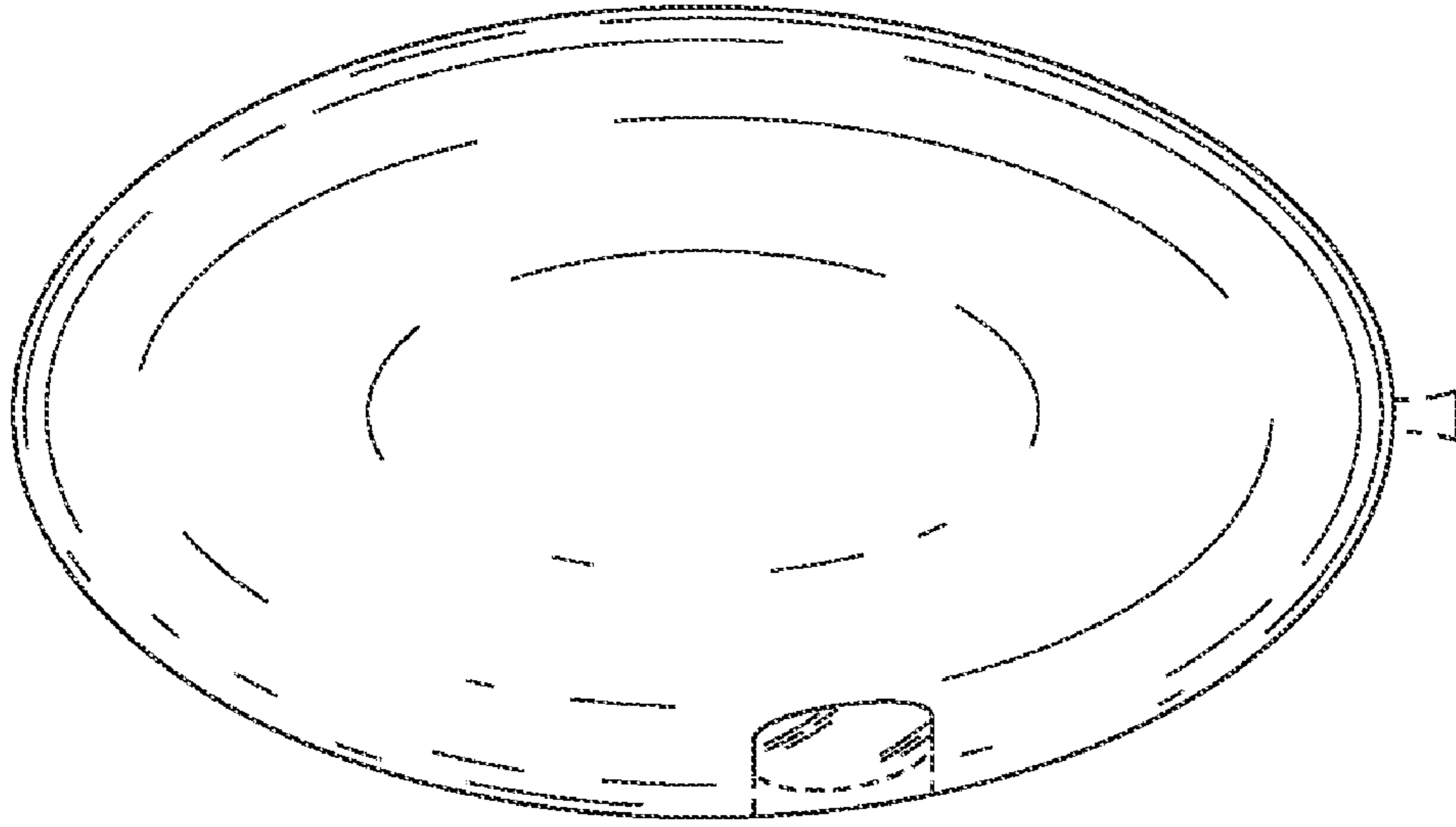


Fig. 53

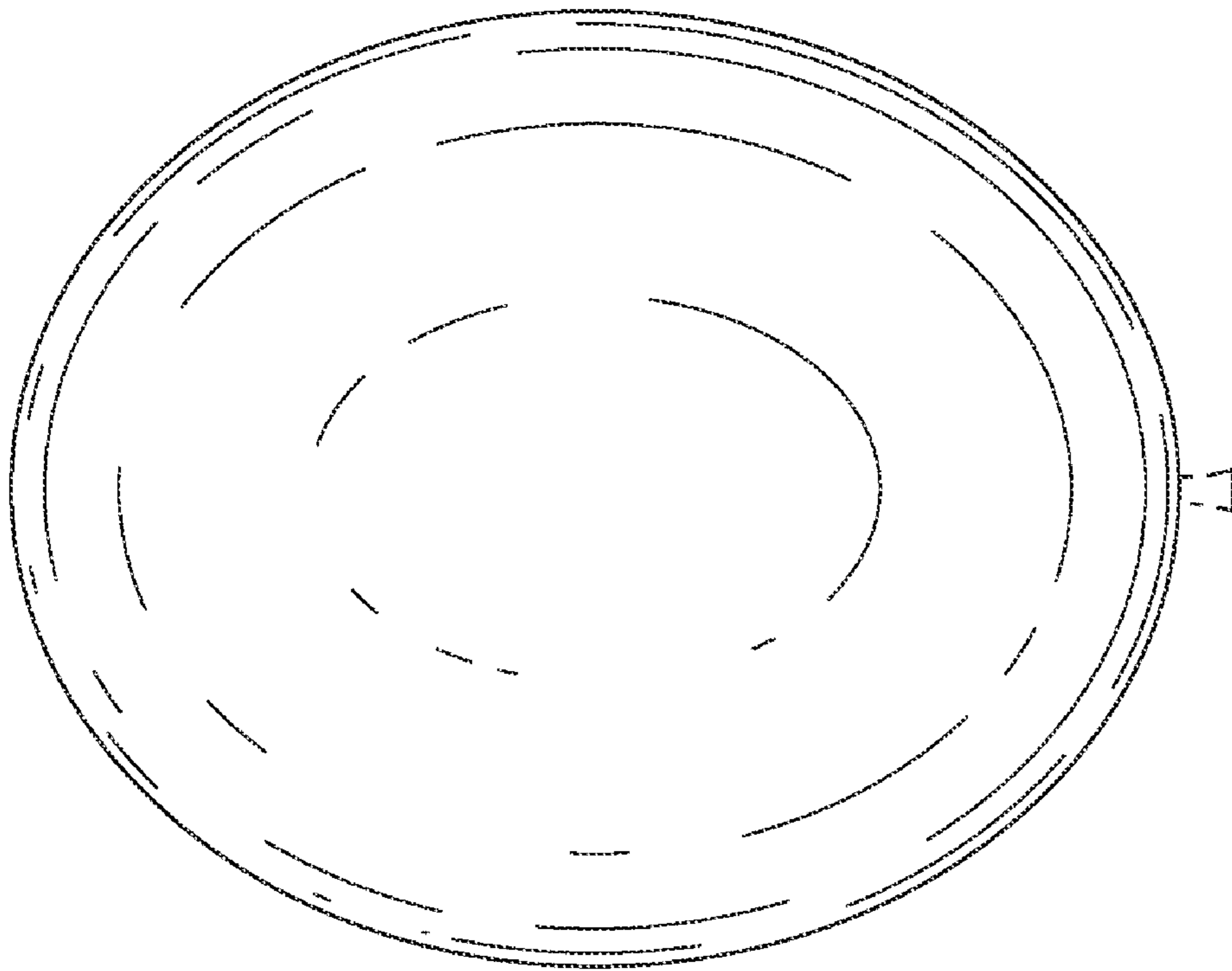


Fig. 52

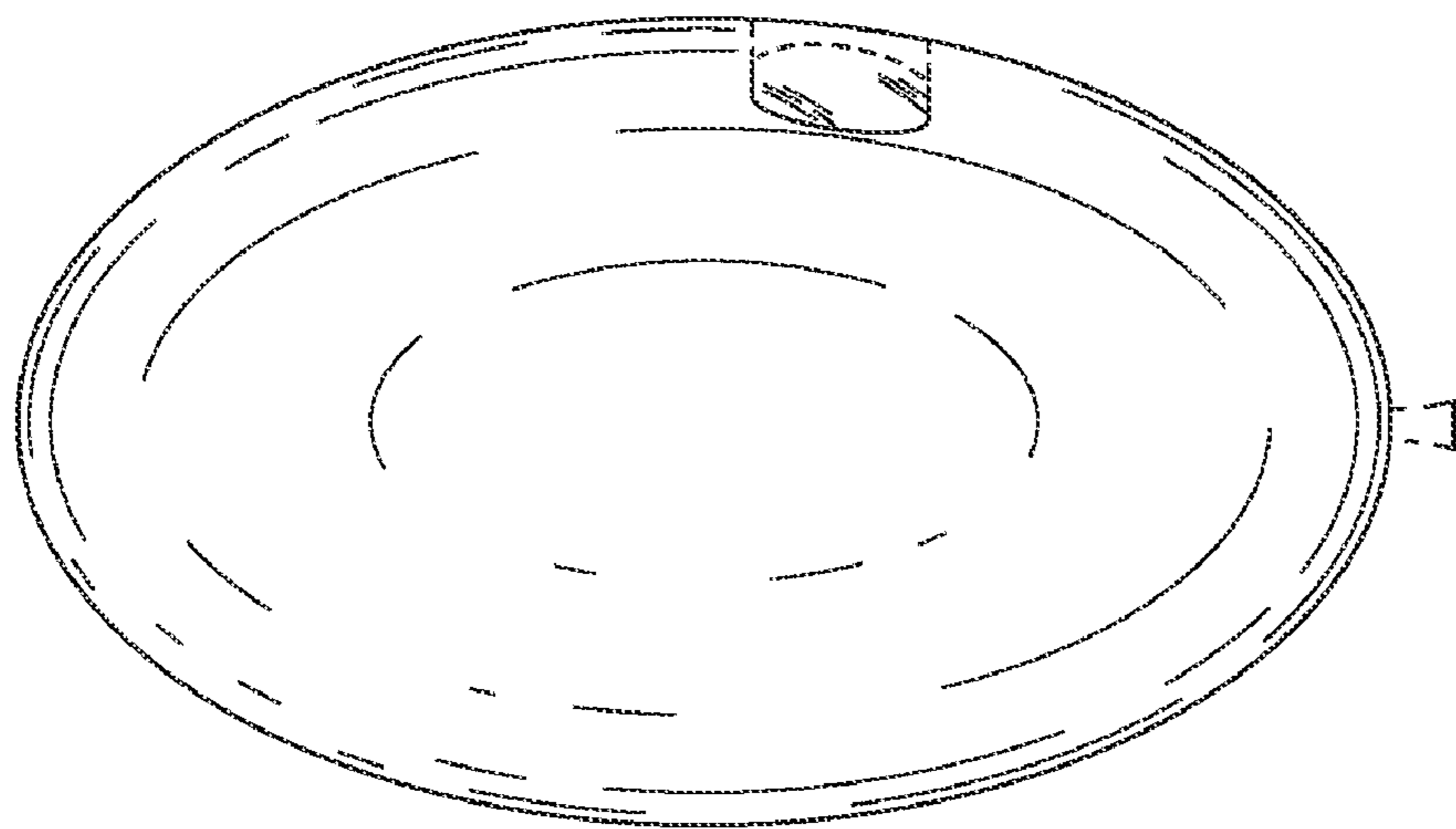


Fig. 54

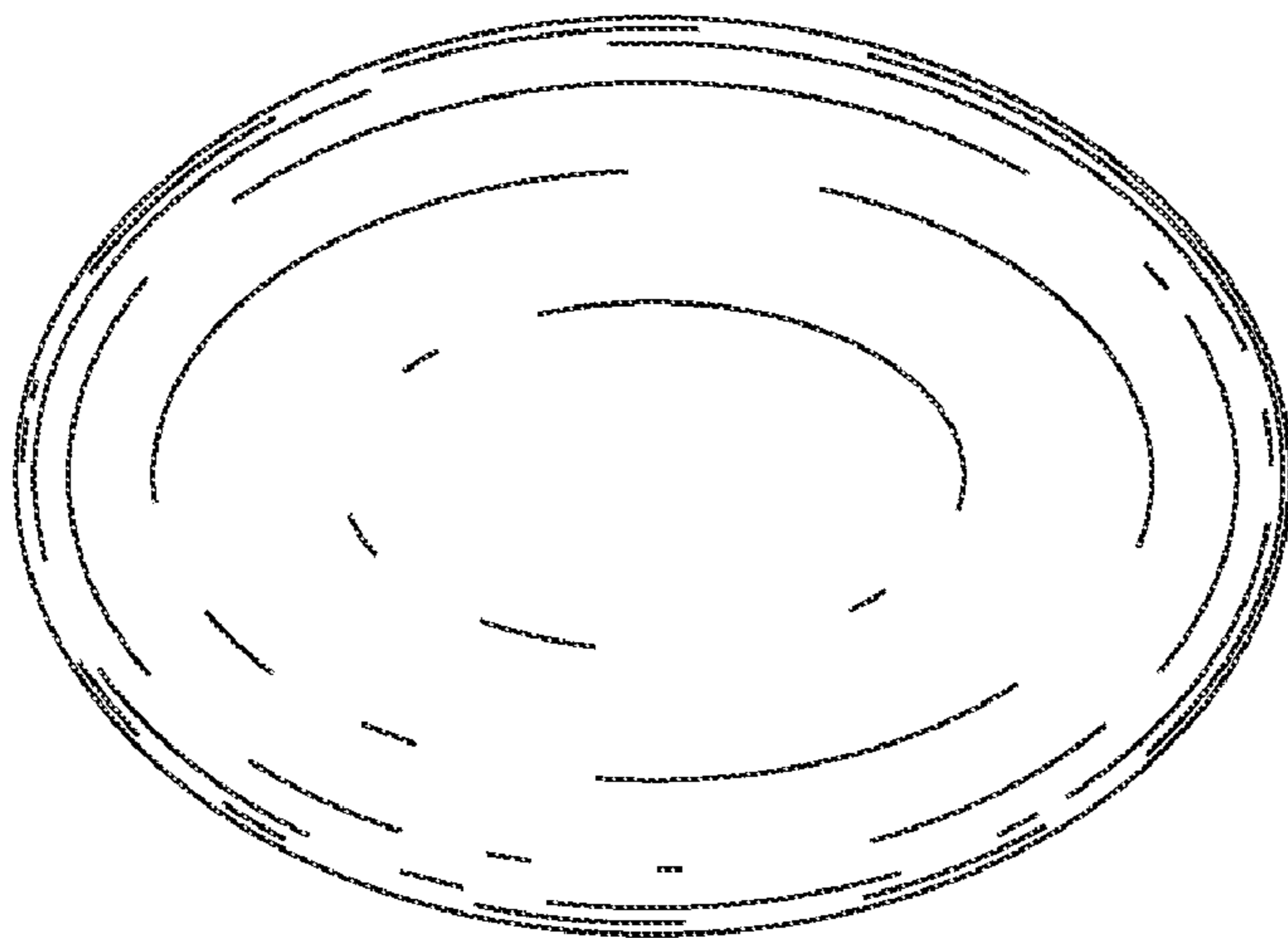


Fig. 55

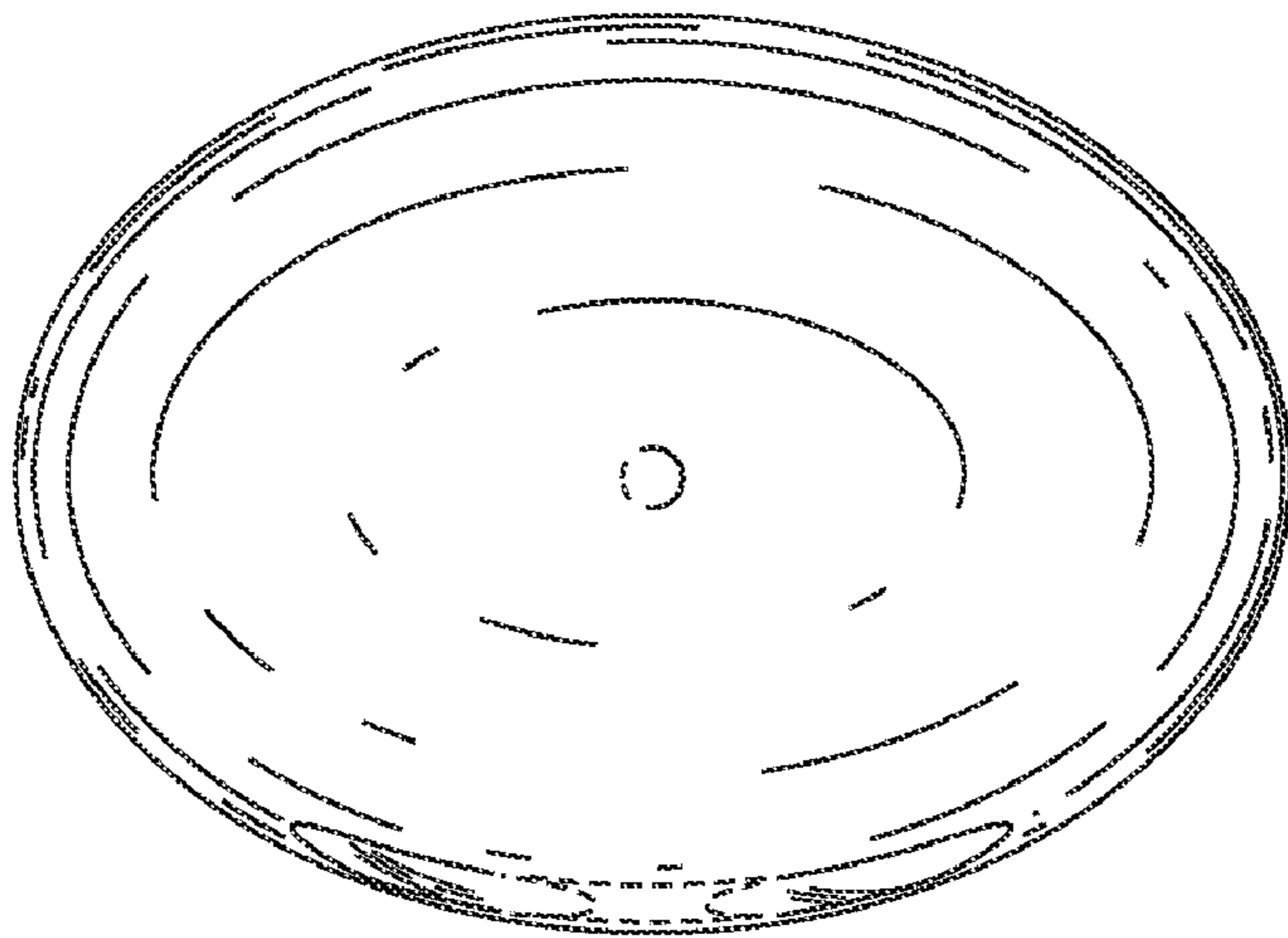


Fig. 56