



US00D628654S

(12) **United States Design Patent**
Miesch et al.

(10) **Patent No.:** **US D628,654 S**
(45) **Date of Patent:** **** Dec. 7, 2010**

(54) **ELECTRONIC GAME TABLE**

(75) Inventors: **Eric Miesch**, Spokane, WA (US); **Tyler Kuhn**, Spokane, WA (US); **David Krise**, Spokane, WA (US)

(73) Assignee: **DigiDeal Corporation**, Spokane, WA (US)

(**) Term: **14 Years**

(21) Appl. No.: **29/360,202**

(22) Filed: **Apr. 21, 2010**

Related U.S. Application Data

(63) Continuation of application No. 12/336,672, filed on Dec. 17, 2008.

(51) **LOC (9) Cl.** **21-03**

(52) **U.S. Cl.** **D21/369**

(58) **Field of Classification Search** D21/324–331, D21/369–371, 397; 273/274, 292, 309; 463/13, 463/16–17, 20, 31, 46–47; D6/423, 480; D14/304–307

See application file for complete search history.

(56) **References Cited**

U.S. PATENT DOCUMENTS

D512,466 S * 12/2005 White et al. D21/397
D547,386 S * 7/2007 Skotarczak et al. D21/369
D547,387 S * 7/2007 Maguire et al. D21/369

D561,267 S * 2/2008 Baazov et al. D21/369
D561,841 S * 2/2008 Baazov et al. D21/369
D568,412 S * 5/2008 Baazov et al. D21/369
D568,413 S * 5/2008 Baazov et al. D21/369
D568,943 S * 5/2008 Baazov et al. D21/369
D572,768 S * 7/2008 Baazov et al. D21/369
D579,500 S * 10/2008 Luciano et al. D21/369
D599,414 S * 9/2009 Krise et al. D21/397

* cited by examiner

Primary Examiner—Sandra Morris

(74) *Attorney, Agent, or Firm*—Farrell Patent Law PC; Mark Farrell

(57) **CLAIM**

The ornamental design for an electronic game table, as shown and described.

DESCRIPTION

FIG. 1 is an isometric front, top, and right side perspective view of the electronic game table.

FIG. 2 is a top view of the electronic game table.

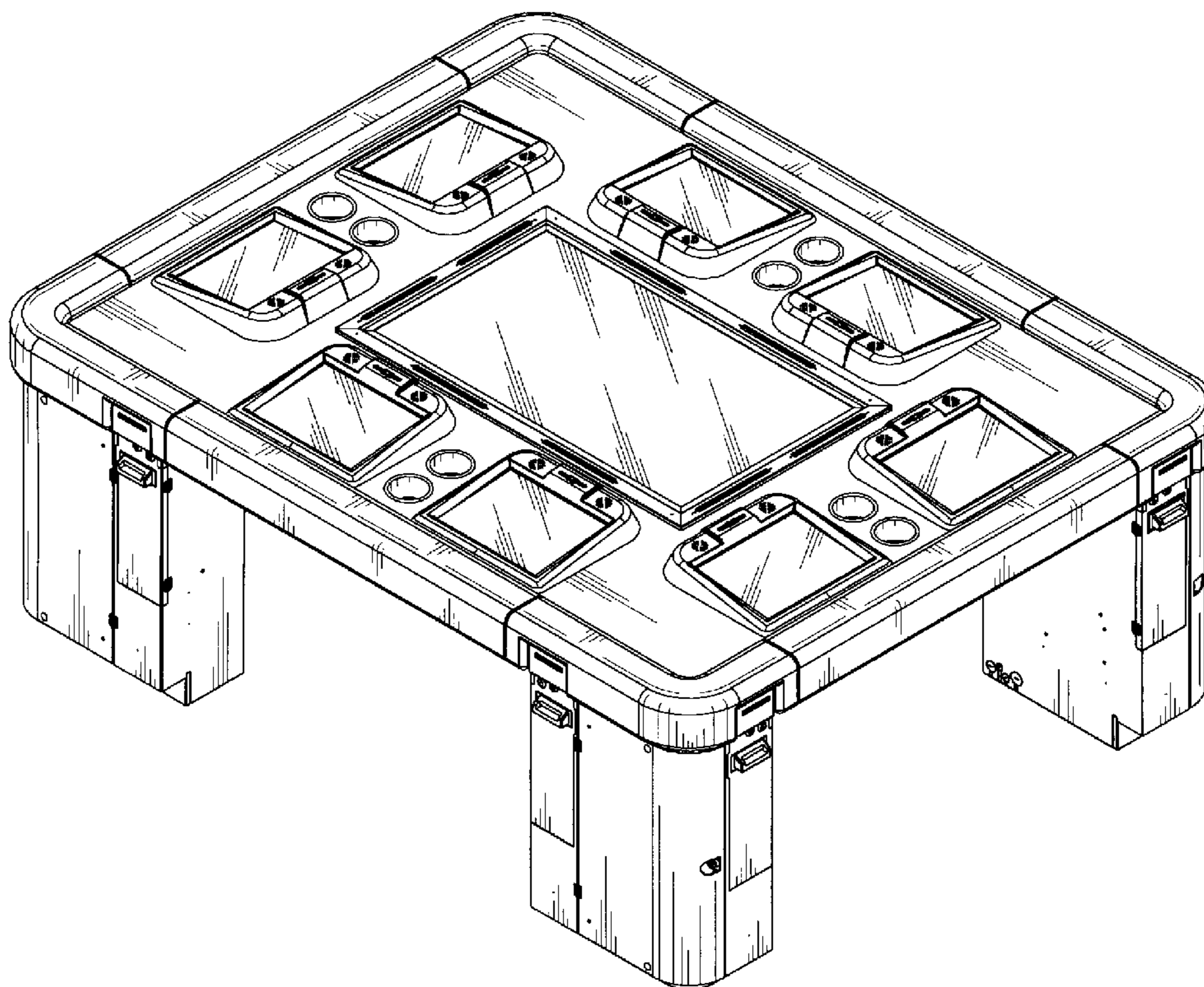
FIG. 3 is a front view of the electronic game table; and,

FIG. 4 is a right side view of the electronic game table.

Front and back views of the electronic game table are substantially the same.

Right and left side views of the electronic game table are substantially the same.

1 Claim, 3 Drawing Sheets



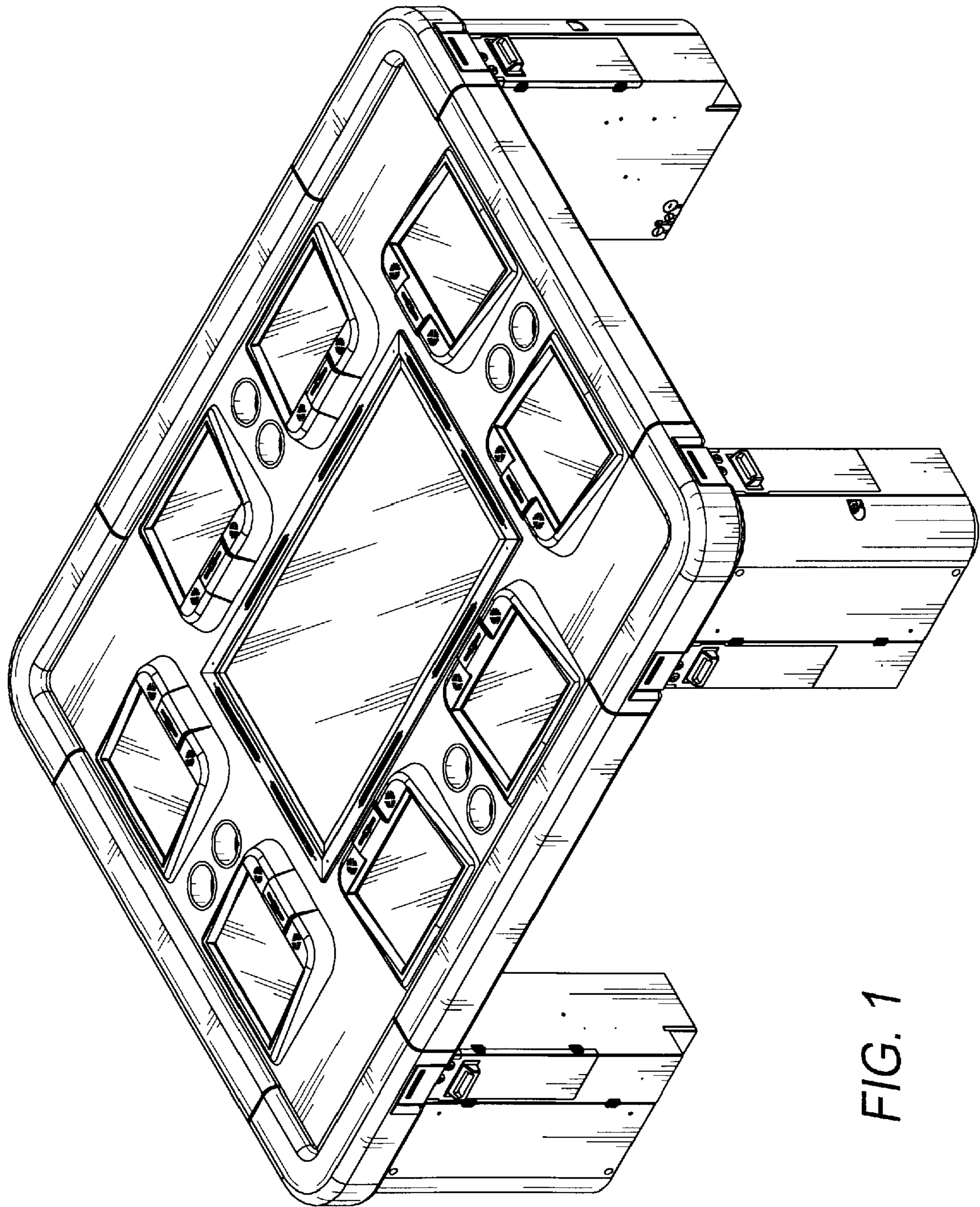


FIG. 1

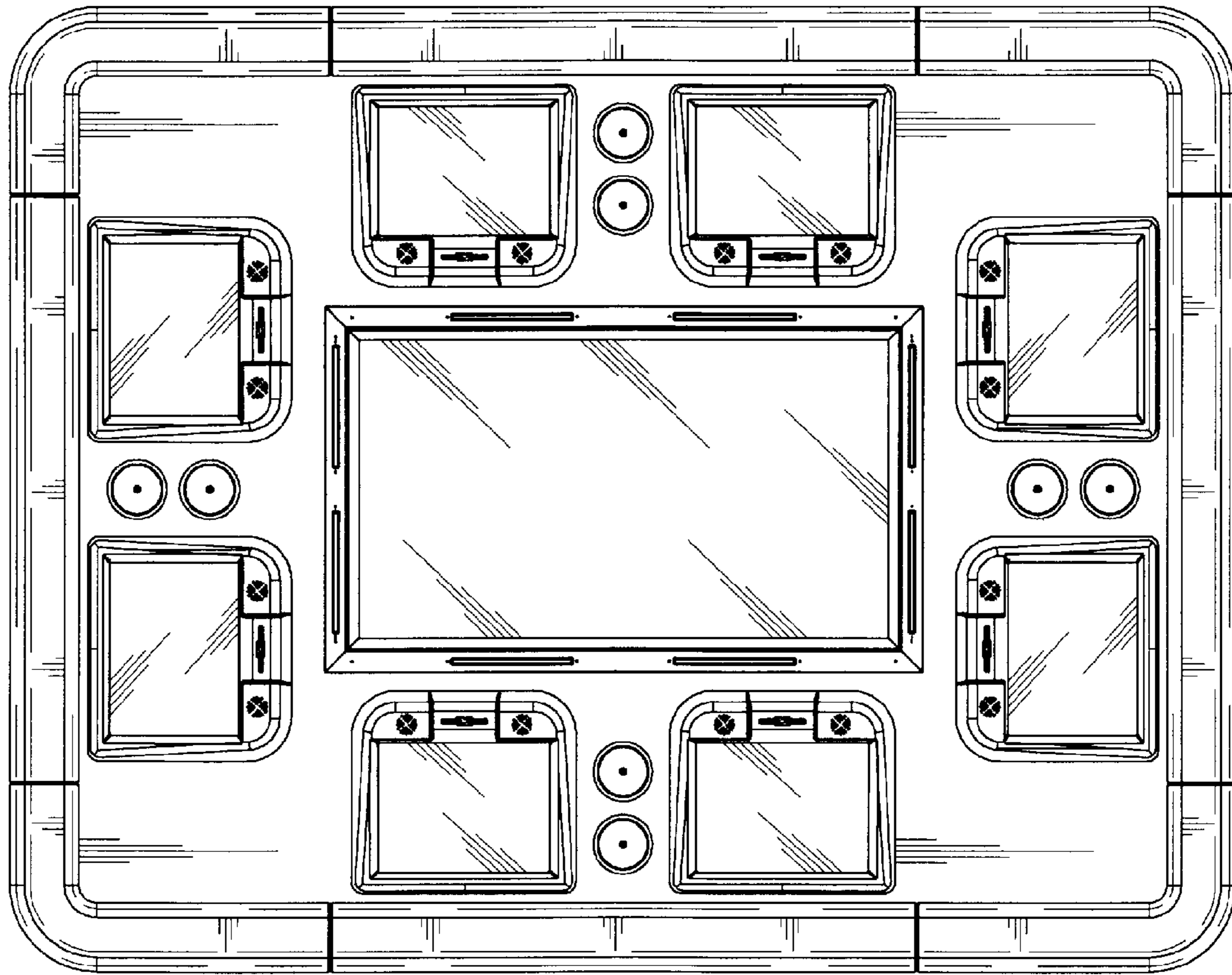


FIG. 2

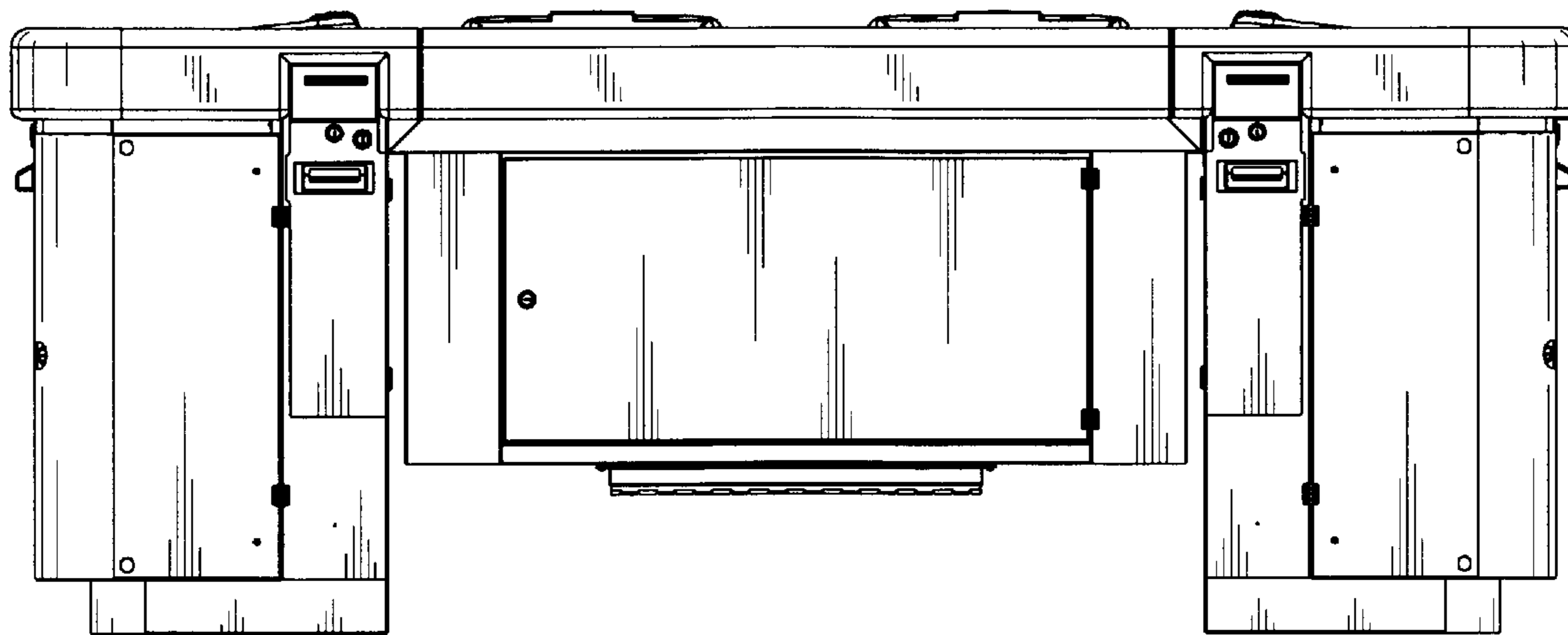


FIG. 3

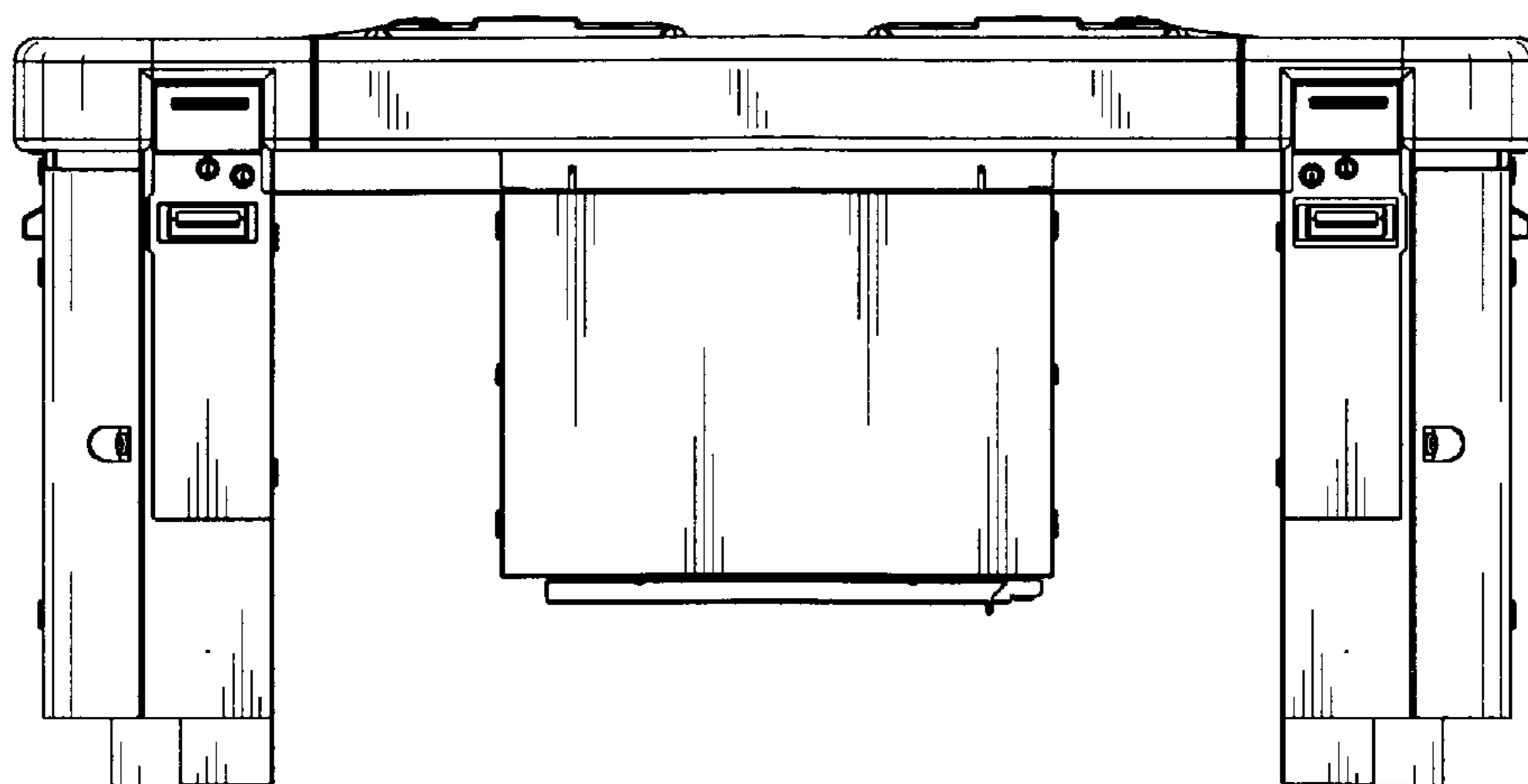


FIG. 4