



US00D628653S

(12) **United States Design Patent**  
**Shedarowich**

(10) **Patent No.:** **US D628,653 S**  
(45) **Date of Patent:** **\*\* Dec. 7, 2010**

(54) **FLOATING ADVERTISING APPARATUS**

(75) Inventor: **Patrick Shedarowich**, Newport Beach, CA (US)  
(73) Assignee: **Recon Distribution, Inc.**, Newport Beach, CA (US)  
(\*\*) Term: **14 Years**  
(21) Appl. No.: **29/361,550**  
(22) Filed: **May 12, 2010**

(51) **LOC (9) Cl.** ..... **20-03**  
(52) **U.S. Cl.** ..... **D20/41; D20/19**  
(58) **Field of Classification Search** ..... D20/10, D20/12-15, 17-19, 39-42, 99; 40/124.01, 40/218, 368, 369, 446, 453, 538, 541, 564, 40/565, 568, 572, 584, 585, 591, 600, 602-604, 40/606.01, 606.12-606.14, 606.18, 607.01, 40/607.03, 607.04, 607.1, 610, 611.07, 612, 40/618, 624, 661, 661.02; D10/104, 109; D11/166; 116/26, 63 P, 173, 174; 362/812; 441/1, 6, 11, 20, 30; 446/397

See application file for complete search history.

(56) **References Cited**

**U.S. PATENT DOCUMENTS**

2,625,130 A \* 1/1953 Morser ..... 116/63 P

(Continued)

*Primary Examiner*—Mary Ann Calabrese

(74) *Attorney, Agent, or Firm*—Hani Z. Sayed; Rutan & Tucker, LLP

(57) **CLAIM**

The ornamental design for a floating advertising apparatus, as shown and described.

**DESCRIPTION**

FIG. 1 is a perspective view of the floating advertising apparatus design in an embodiment of the present invention;

FIG. 2 is a right side view of the floating advertising apparatus design in an embodiment of the present invention;

FIG. 3 is a back view of the floating advertising apparatus design in an embodiment of the present invention;

FIG. 4 is a top view of the floating advertising apparatus design of the present invention;

FIG. 5 is a front view of the floating advertising apparatus design in an embodiment of the present invention;

FIG. 6 is a left side view of the floating advertising apparatus design in an embodiment of the present invention;

FIG. 7 is a bottom view of the floating advertising apparatus design of the present invention;

FIG. 8 is a perspective view of the floating advertising apparatus design of the present invention with the pole removed for clarity of illustration.

FIG. 9 is a perspective view of the floating advertising apparatus design in an embodiment of the present invention;

FIG. 10 is a right side perspective view of the floating advertising apparatus design in an embodiment of the present invention;

FIG. 11 is a back view of the floating advertising apparatus design in an embodiment of the present invention;

FIG. 12 is a top perspective view of the floating advertising apparatus design of the present invention;

FIG. 13 is a front view without the pole of the floating advertising apparatus design in an embodiment of the present invention;

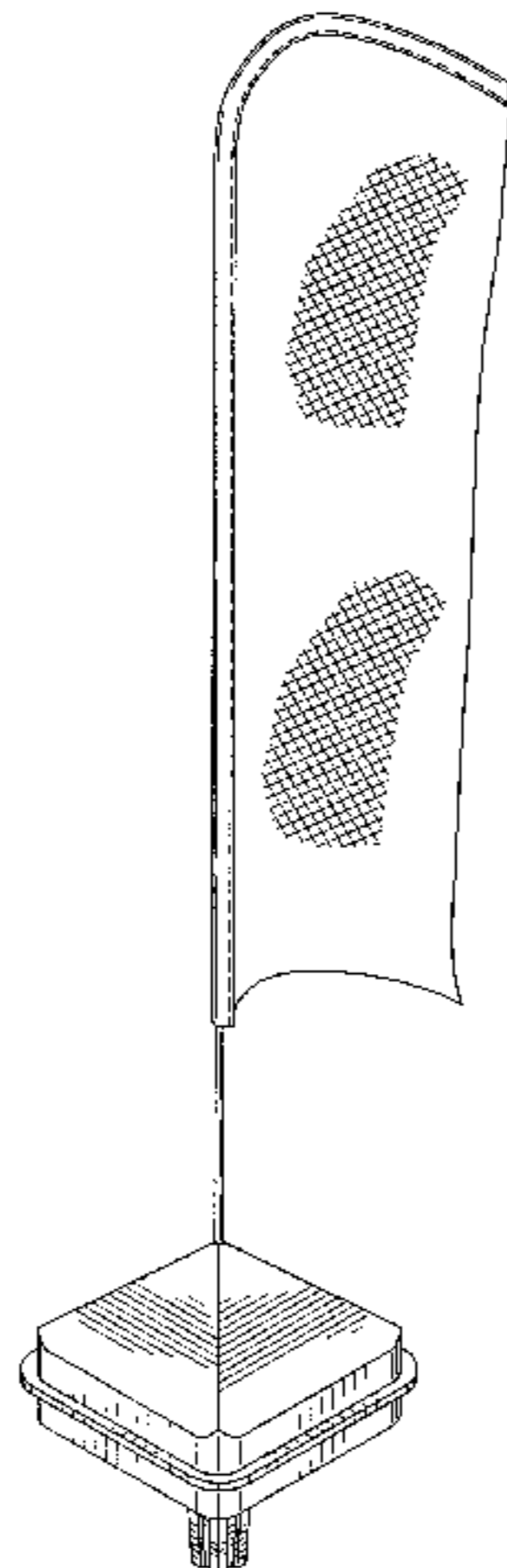
FIG. 14 is a left side perspective view without the pole of the floating advertising apparatus design in an embodiment of the present invention;

FIG. 15 is a bottom view of the floating advertising apparatus design of the present invention; and,

FIG. 16 is a perspective view of the floating advertising apparatus design of the present invention with the pole removed for clarity of illustration.

In the drawings, the broken lines represent stitching.

**1 Claim, 8 Drawing Sheets**



# US D628,653 S

Page 2

---

## U.S. PATENT DOCUMENTS

4,123,813	A *	11/1978	Adams .....	441/11	7,213,355	B2 *	5/2007	Aires .....	40/604
D311,499	S *	10/1990	Mason .....	D10/104	D562,406	S *	2/2008	Metzler .....	D20/41
5,267,524	A *	12/1993	Maxwell .....	116/174	7,478,493	B2 *	1/2009	Brown .....	40/610
D362,465	S *	9/1995	Gallemore, II .....	D20/41	2005/0204599	A1 *	9/2005	Myles .....	40/591
6,086,448	A *	7/2000	Ibanez .....	446/397	2006/0207143	A1 *	9/2006	Brown .....	40/610
D500,526	S *	1/2005	McCudden et al. ....	D20/41	2009/0093176	A1 *	4/2009	Estrada-Lugo .....	441/11
D514,165	S *	1/2006	McCudden et al. ....	D20/41	2009/0158631	A1 *	6/2009	Christiansen et al. ....	40/607.04

\* cited by examiner

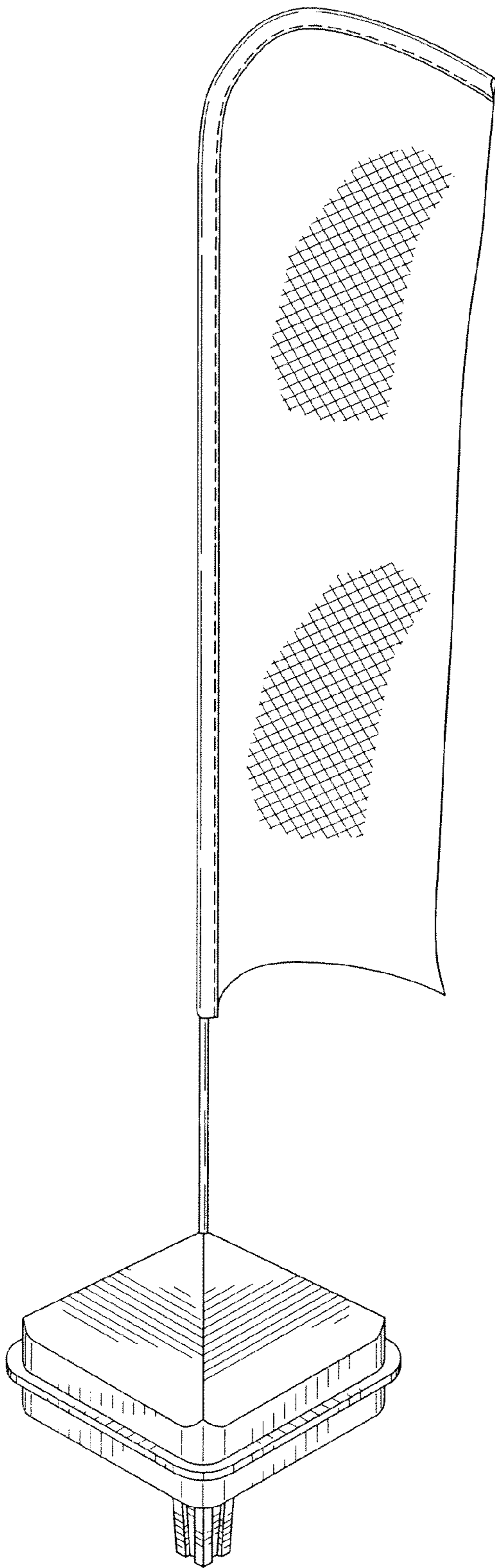


FIG. 1

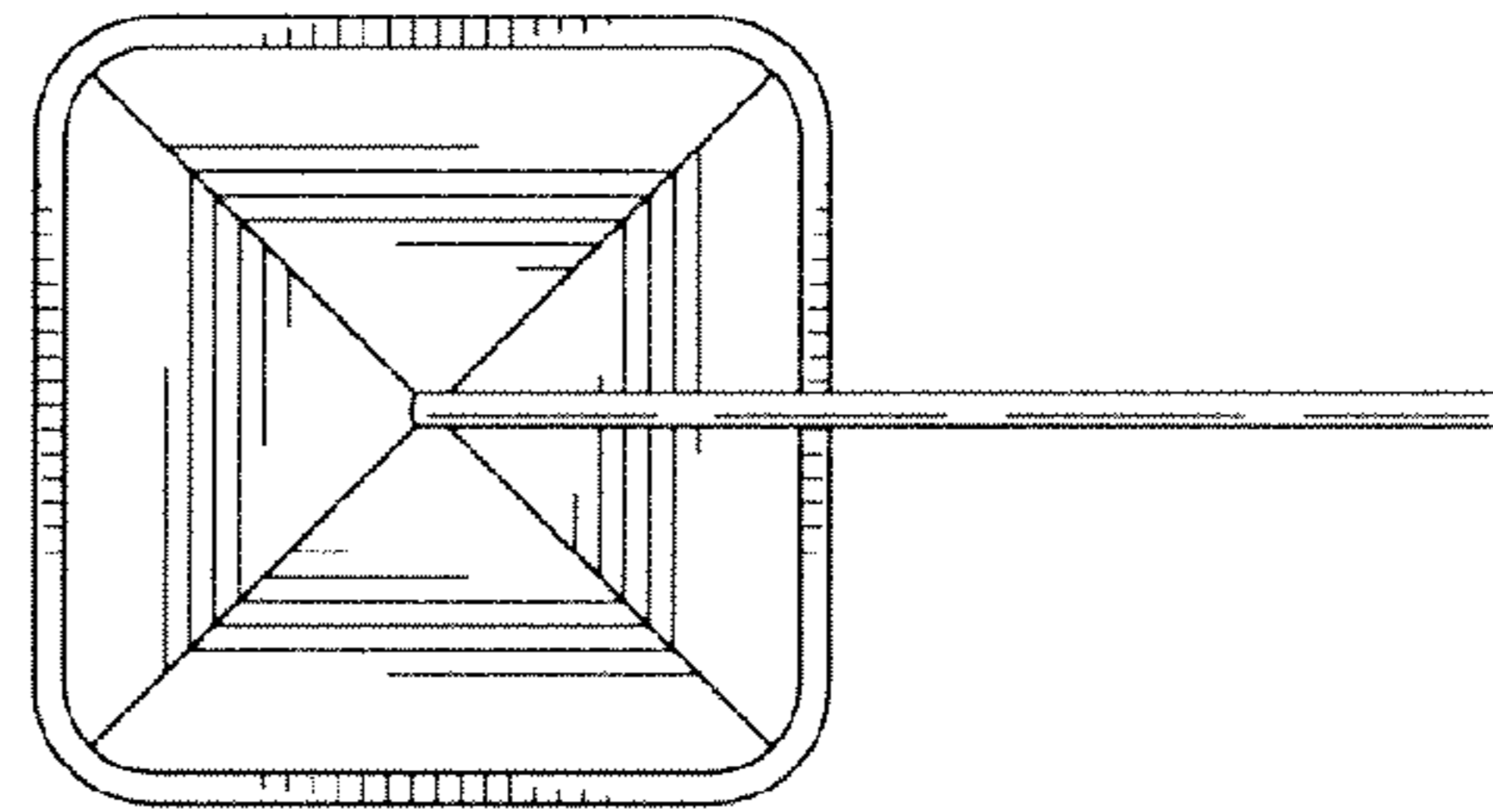


FIG. 4

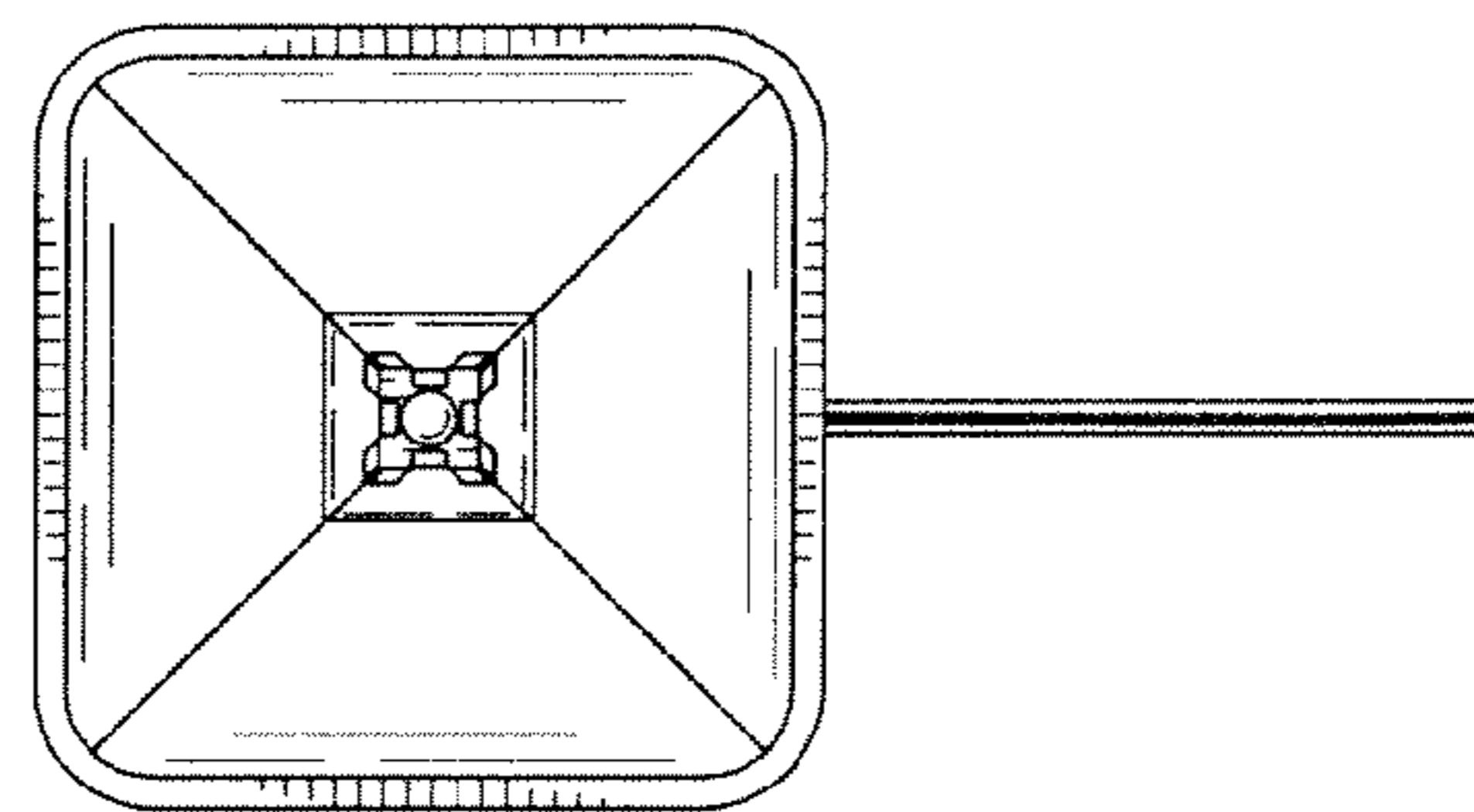


FIG. 7

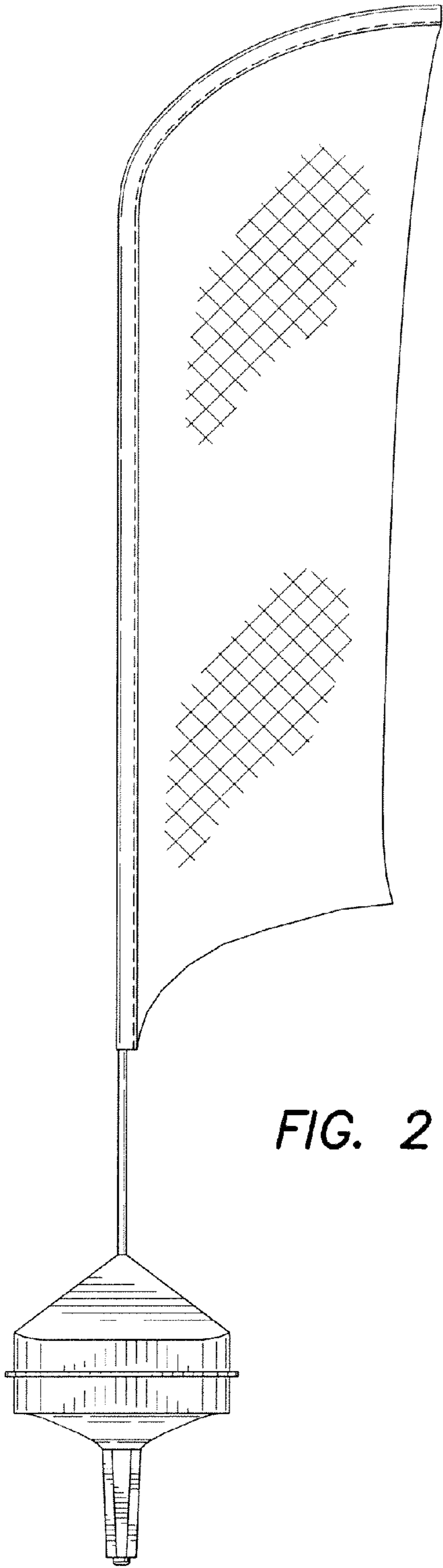
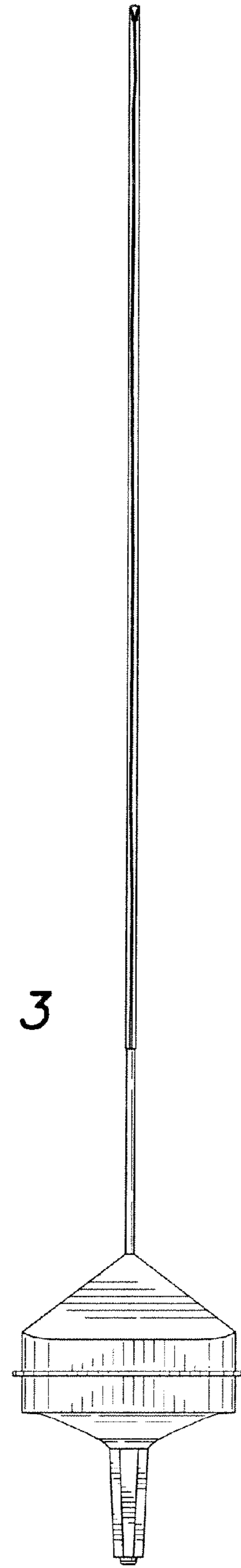
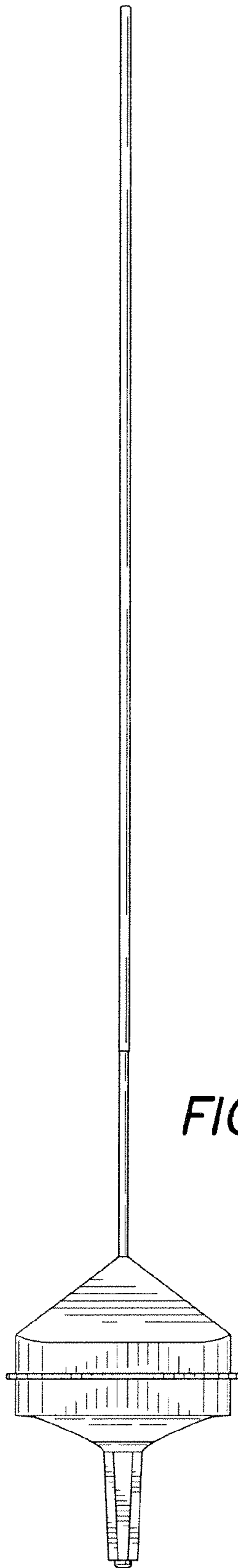


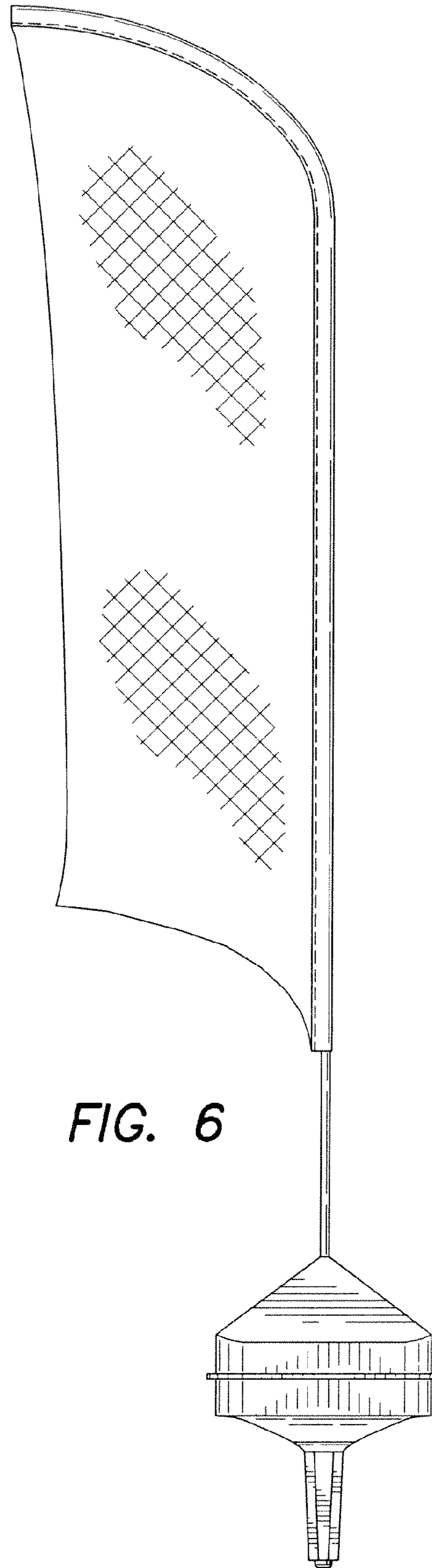
FIG. 2

FIG. 3

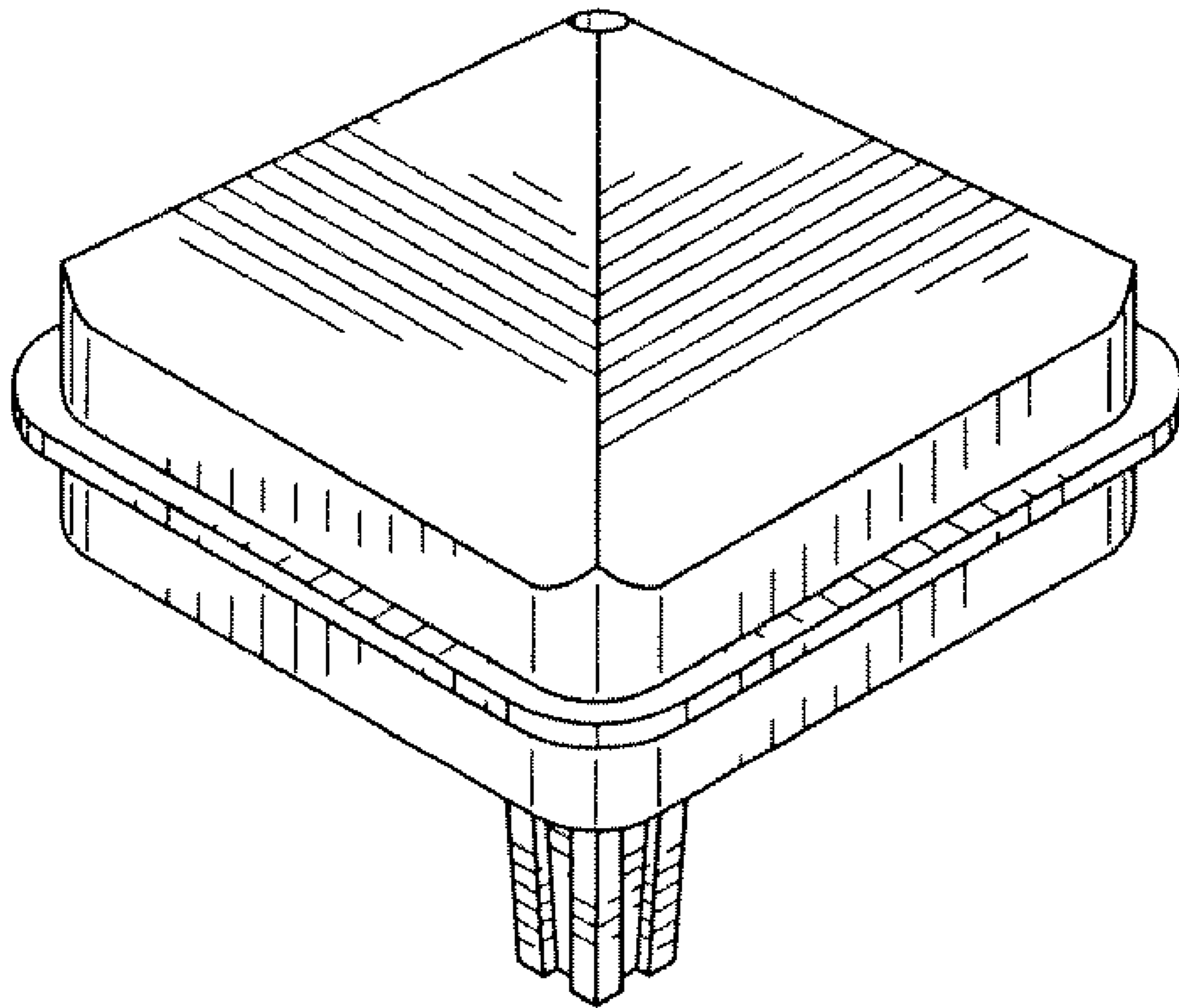




*FIG. 5*



*FIG. 6*



**FIG. 8**

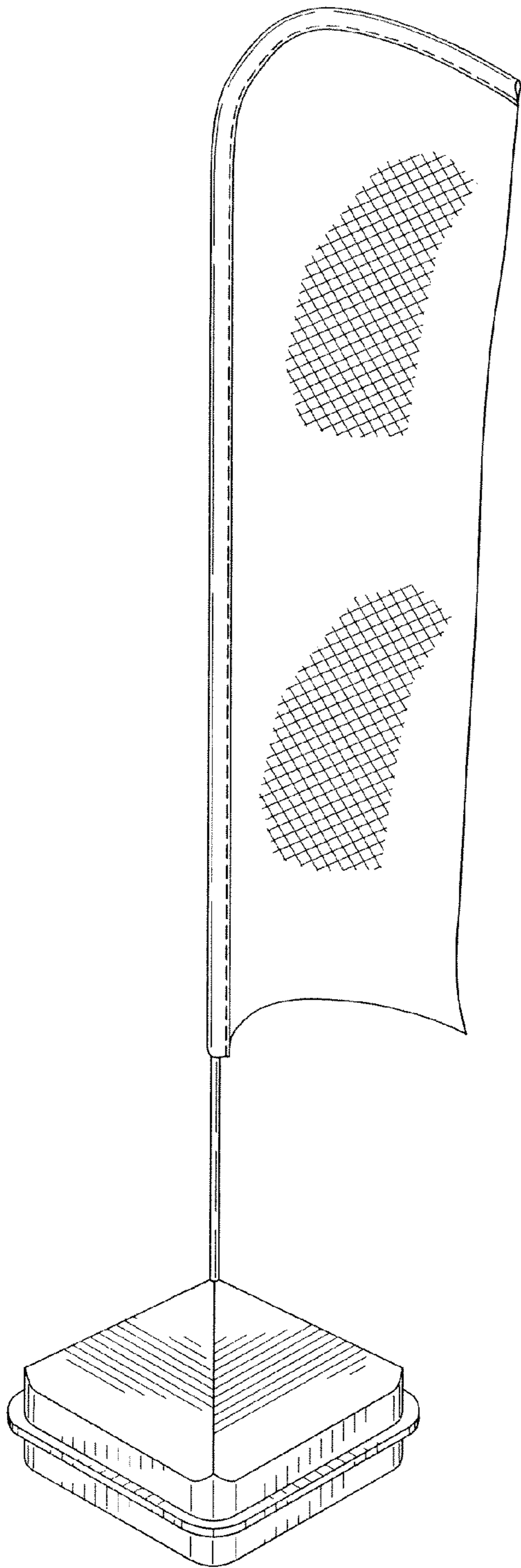


FIG. 9

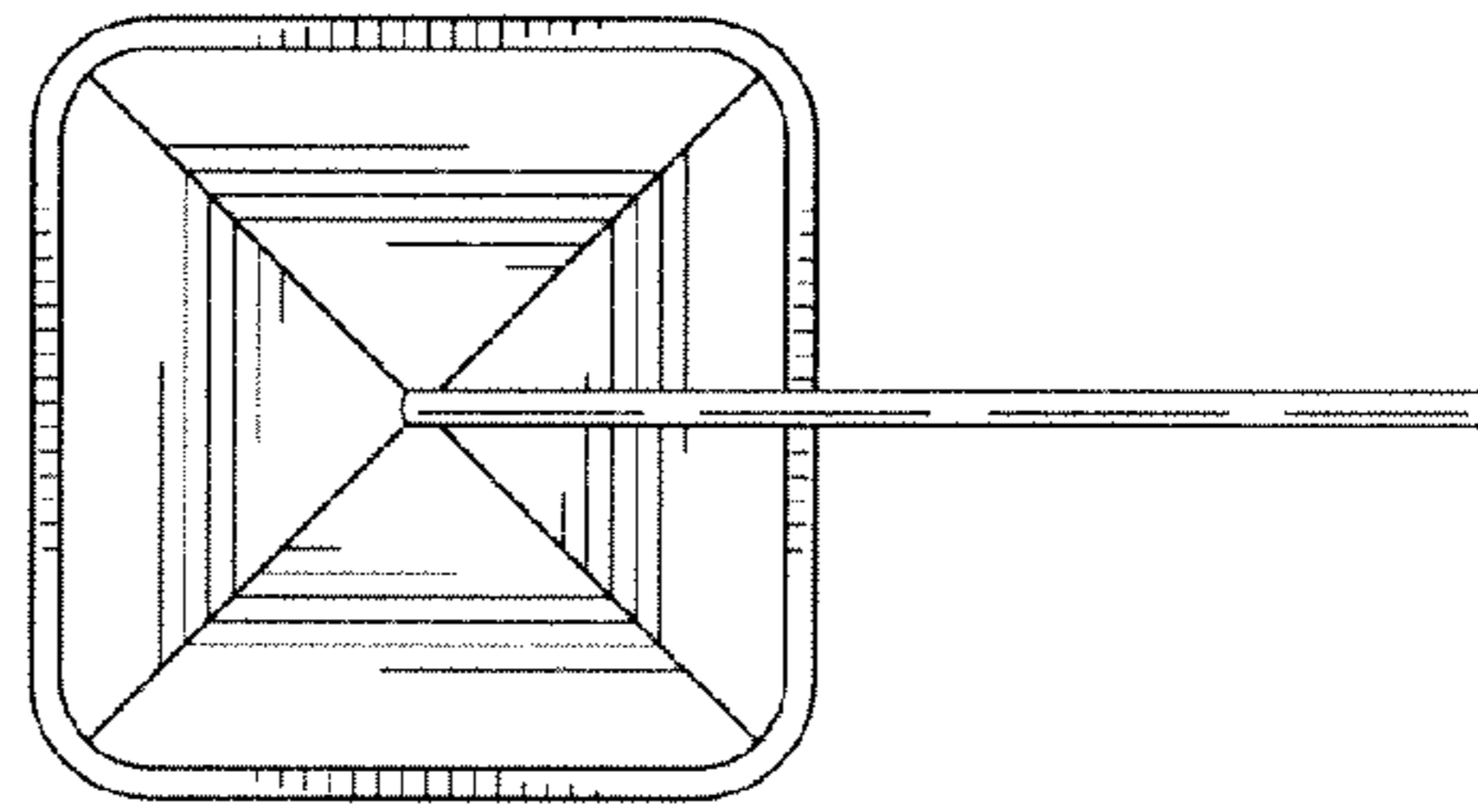


FIG. 12

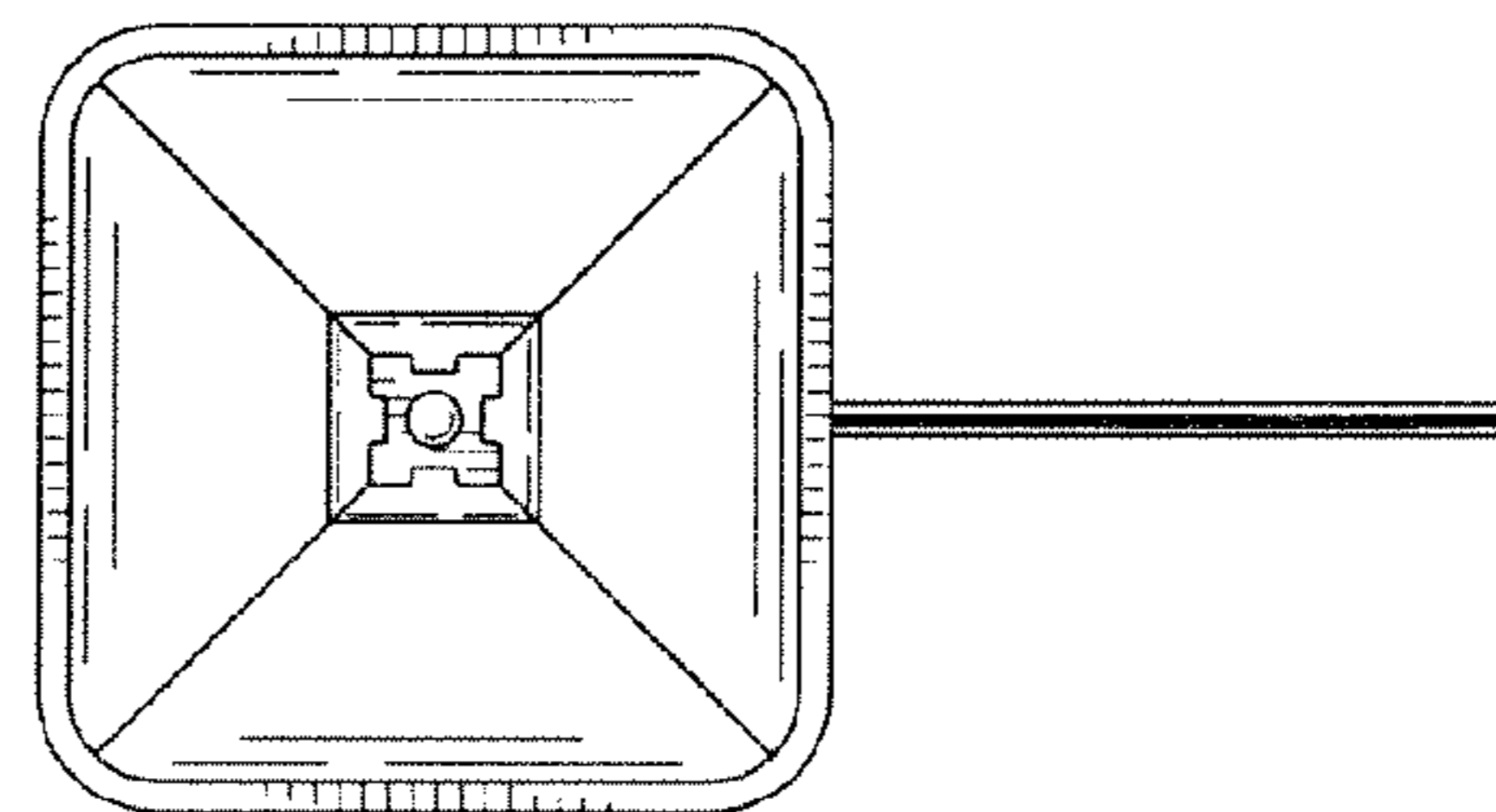


FIG. 15

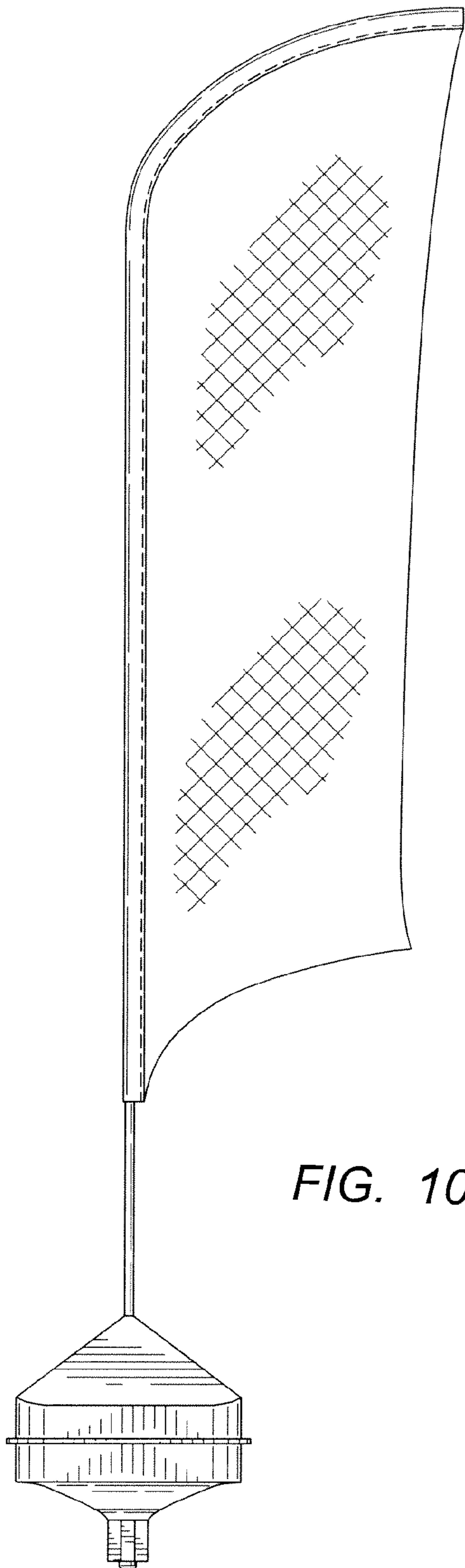
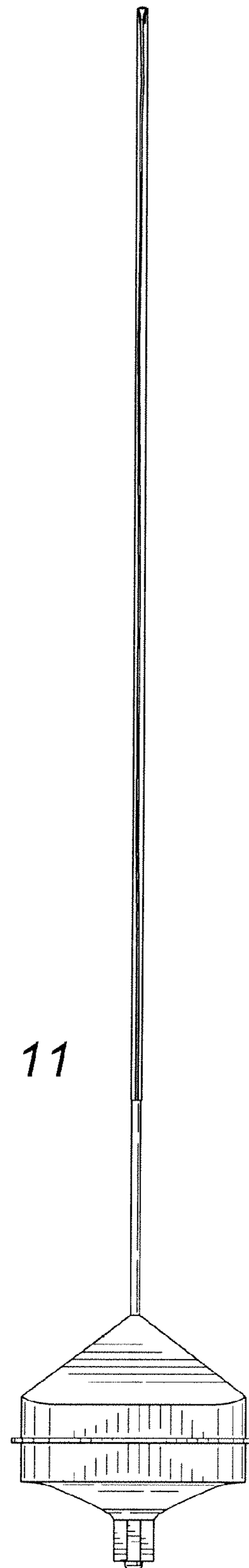


FIG. 10

FIG. 11





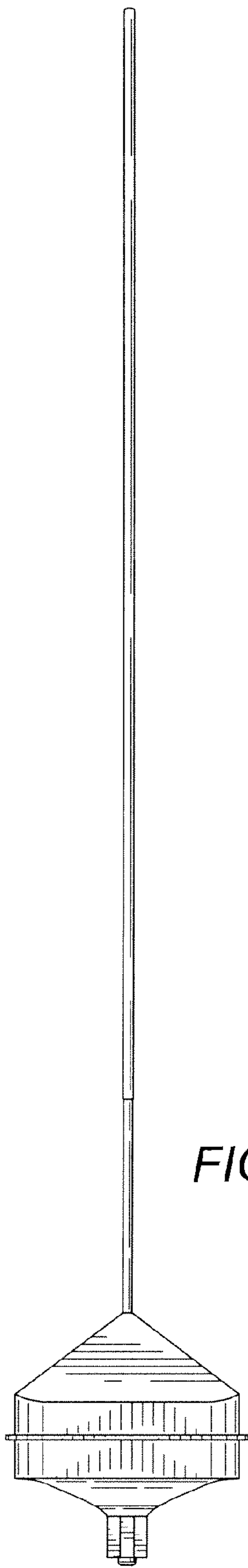


FIG. 13

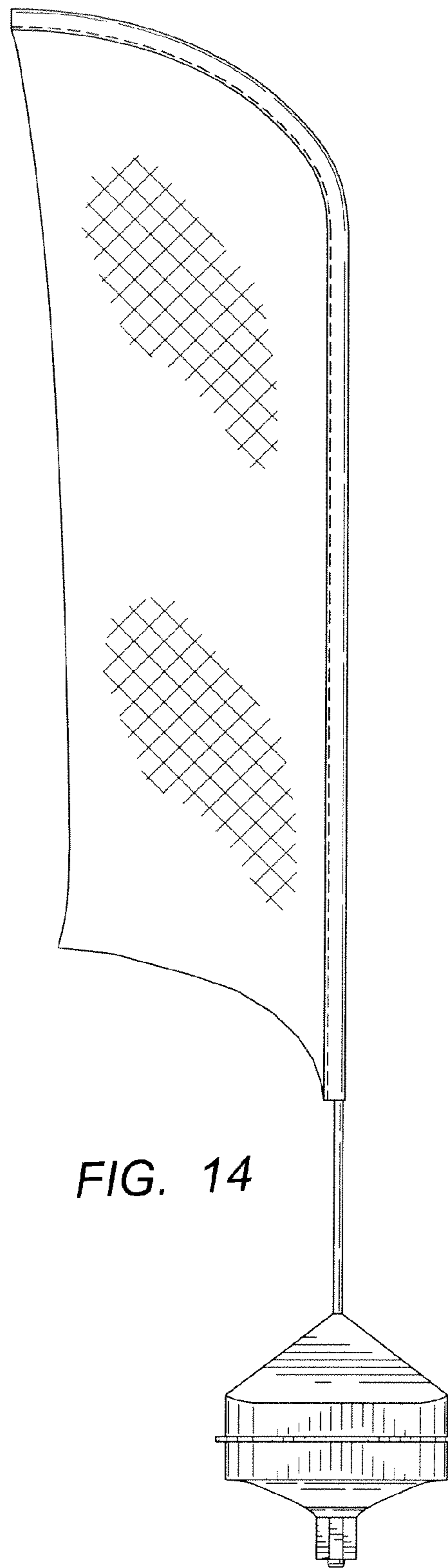
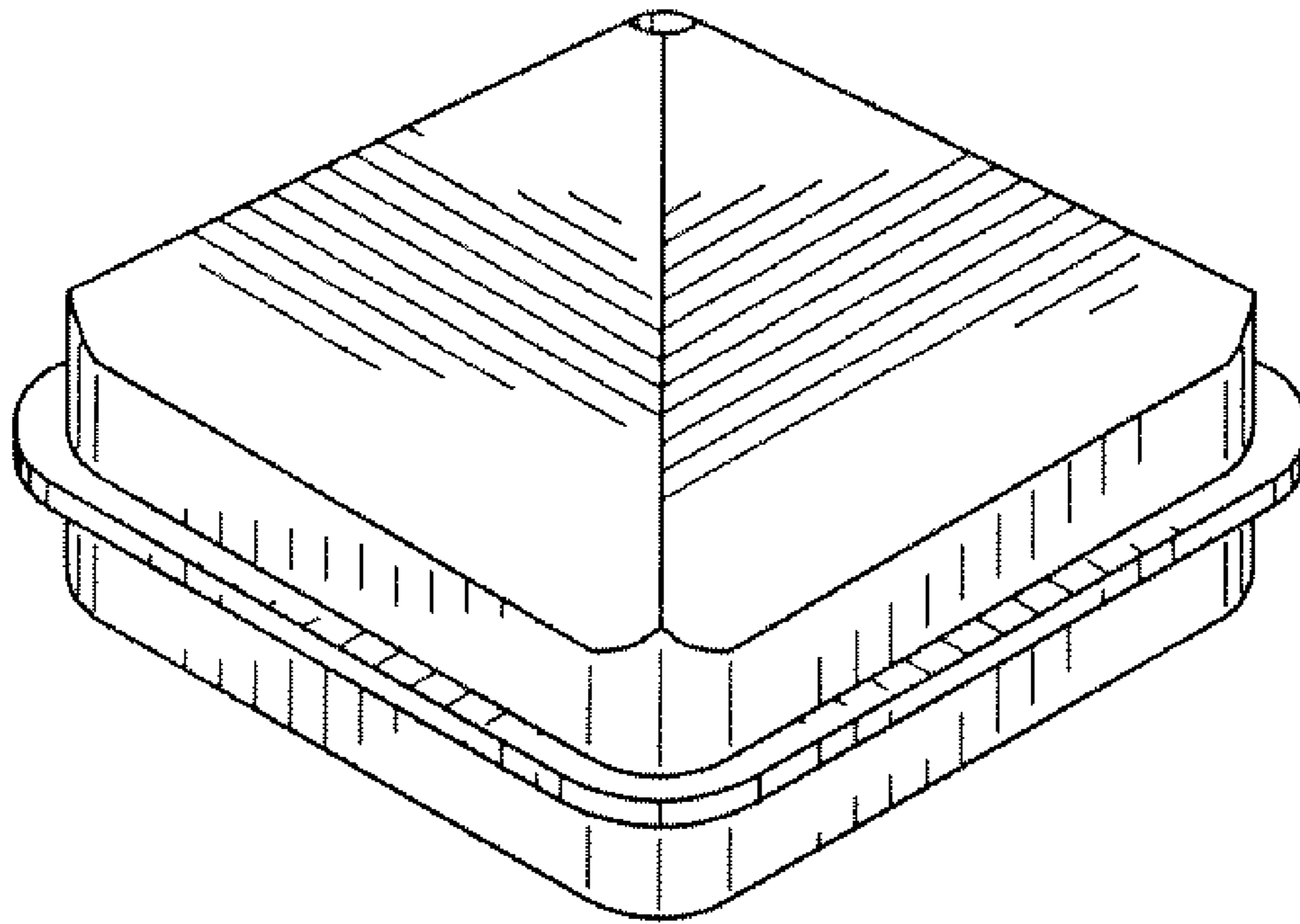


FIG. 14



***FIG. 16***