



US00D628648S

(12) **United States Design Patent**
Chan

(10) **Patent No.:** **US D628,648 S**

(45) **Date of Patent:** **** Dec. 7, 2010**

(54) **PAPER PUNCH**

(75) Inventor: **Stephen Kwok Ki Chan**, Kowloon (HK)

(73) Assignee: **Lee Tack Plastic & Metal Manufactory Ltd.**, New Territories, Hong Kong SAR (CN)

(**) Term: **14 Years**

(21) Appl. No.: **29/354,320**

(22) Filed: **Jan. 22, 2010**

(30) **Foreign Application Priority Data**

Jan. 21, 2010 (HK) 1000129

(51) **LOC (9) Cl.** **19-02**

(52) **U.S. Cl.** **D19/72**

(58) **Field of Classification Search** D8/98;
D19/72; 30/358; 83/167, 588, 618, 620,
83/633, 684, 686, 698.1

See application file for complete search history.

(56) **References Cited**

U.S. PATENT DOCUMENTS

D407,752 S *	4/1999	Kim et al.	D19/72
D420,049 S *	2/2000	Robillard	D19/72
RE38,219 E *	8/2003	Lee et al.	83/588
D482,584 S *	11/2003	Racamier	D8/50
D482,729 S *	11/2003	Chi Kuo	D19/72
D491,230 S *	6/2004	Lee	D19/72
D499,449 S *	12/2004	Chan	D19/72

D501,884 S *	2/2005	Davies et al.	D19/72
D516,397 S *	3/2006	Kent et al.	D8/50
D529,094 S *	9/2006	Weng	D19/72
D529,095 S *	9/2006	Tou	D19/72
D533,229 S *	12/2006	Tou	D19/72
D587,542 S *	3/2009	Miyagi	D8/50
D587,976 S *	3/2009	Cunningham et al.	D8/50
D605,226 S *	12/2009	Nishimura	D19/72
7,739,936 B2 *	6/2010	Chan	83/447
2005/0039590 A1 *	2/2005	Weng	83/684

* cited by examiner

Primary Examiner—Elizabeth A Albert

(74) *Attorney, Agent, or Firm*—Leydig, Voit & Mayer, Ltd.

(57) **CLAIM**

The ornamental design for a paper punch, as shown and described.

DESCRIPTION

FIG. 1 is a front, left side and top perspective view of a paper punch showing my new design;

FIG. 2 is a rear, right side and top perspective view thereof;

FIG. 3 is a top plan view thereof;

FIG. 4 is a bottom plan view thereof;

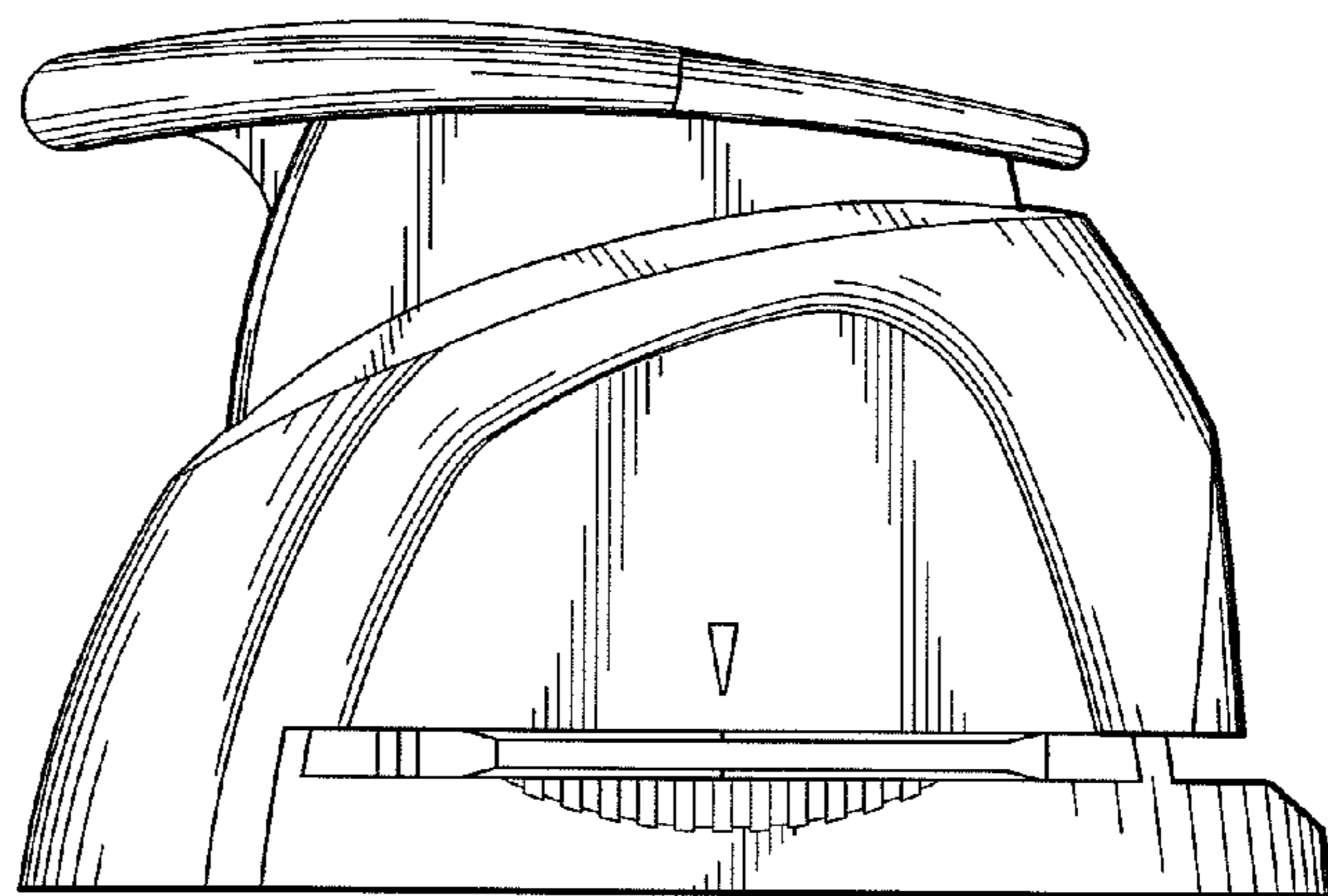
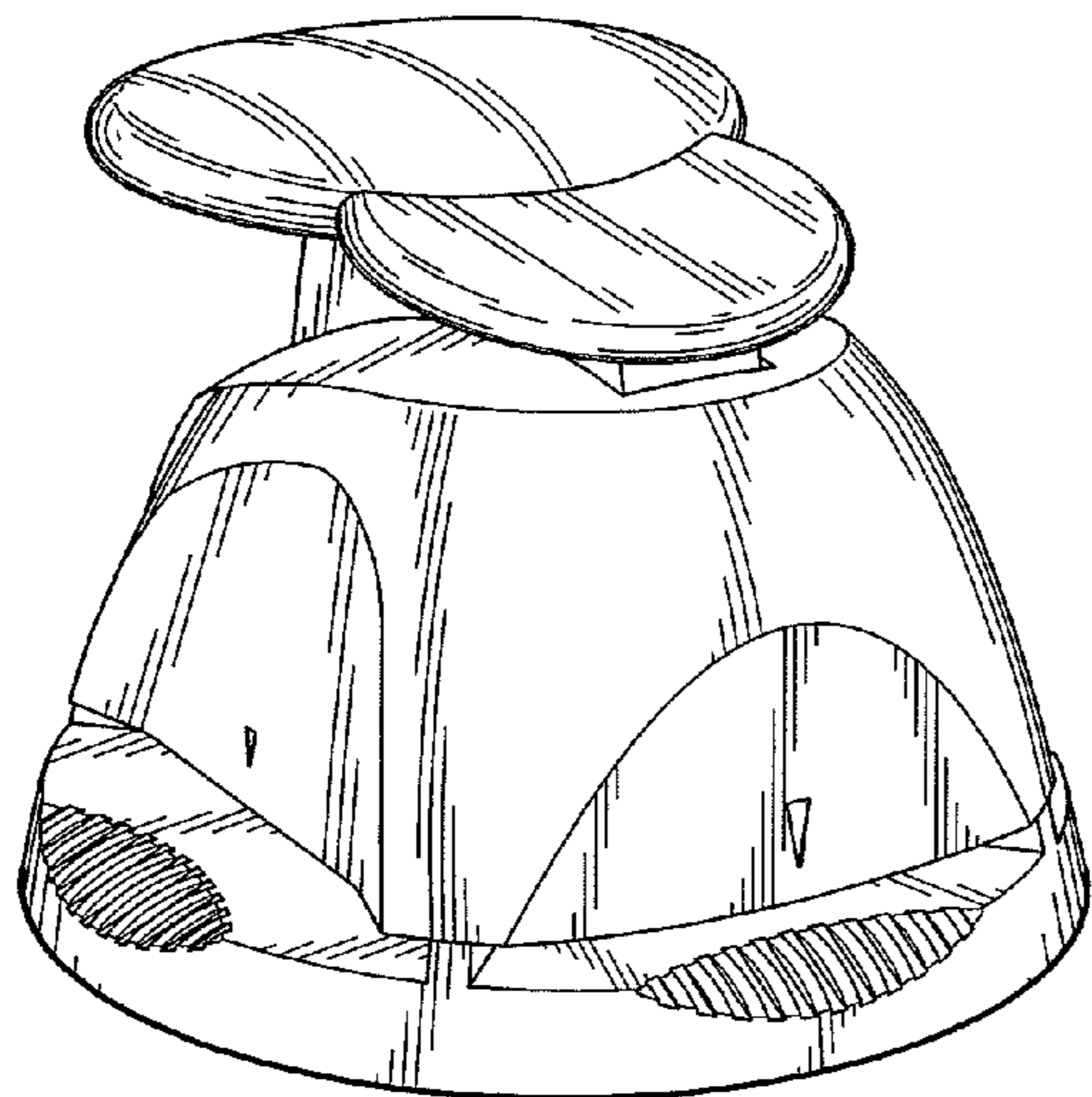
FIG. 5 is a rear elevational view thereof;

FIG. 6 is a front elevational view thereof;

FIG. 7 is a right side elevational view thereof; and,

FIG. 8 is a left side elevational view thereof.

1 Claim, 4 Drawing Sheets



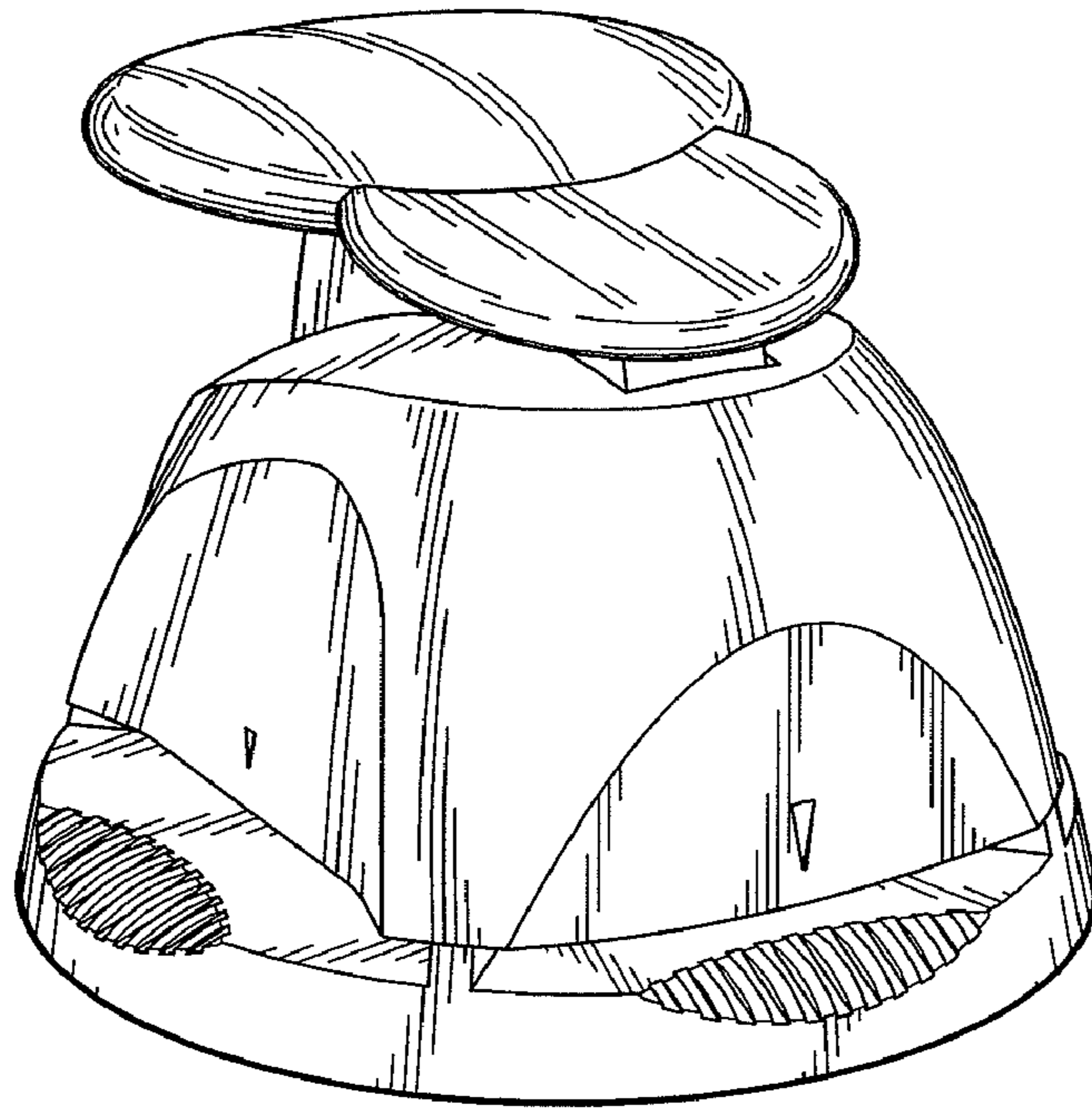


FIG. 1

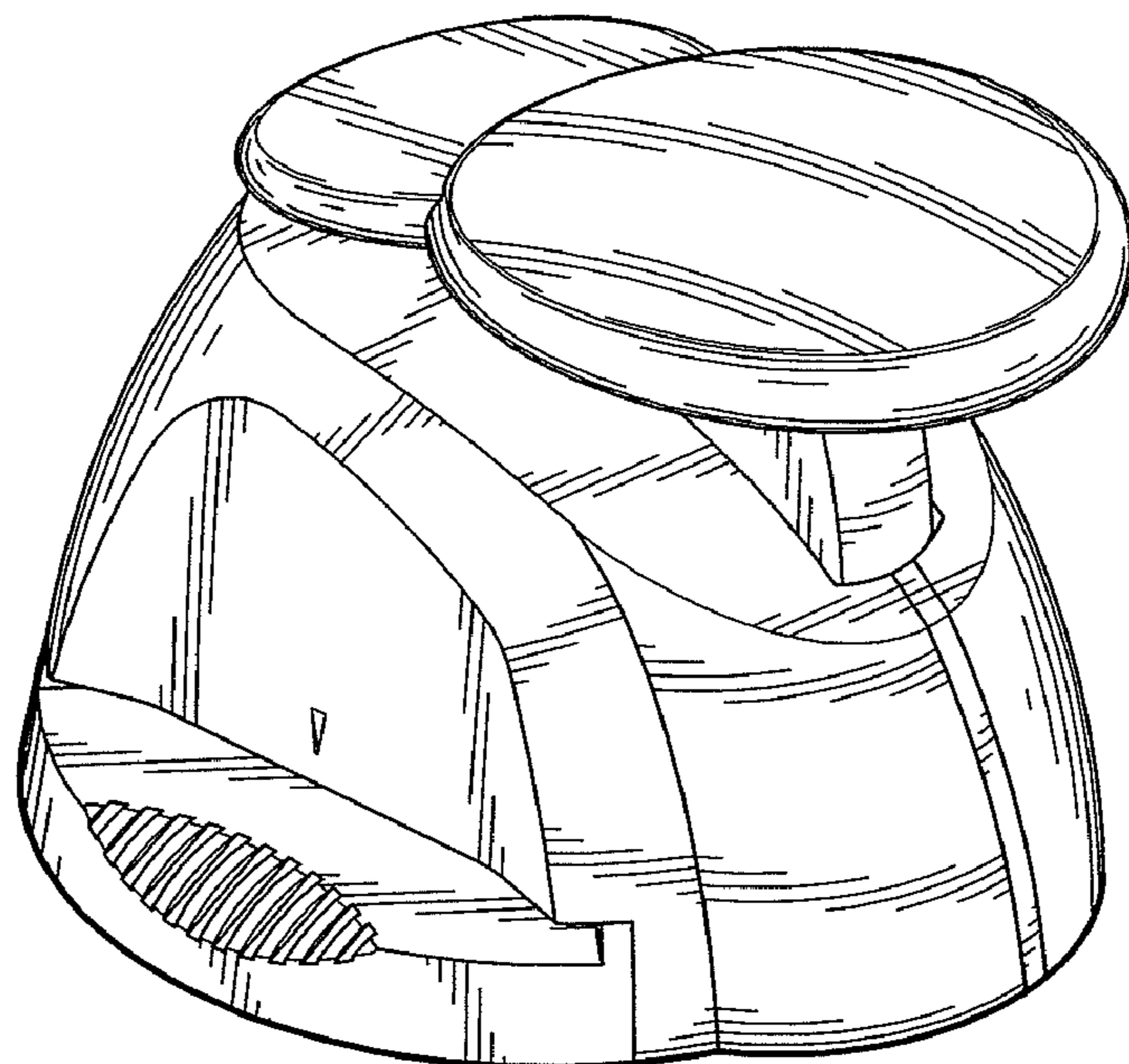


FIG. 2

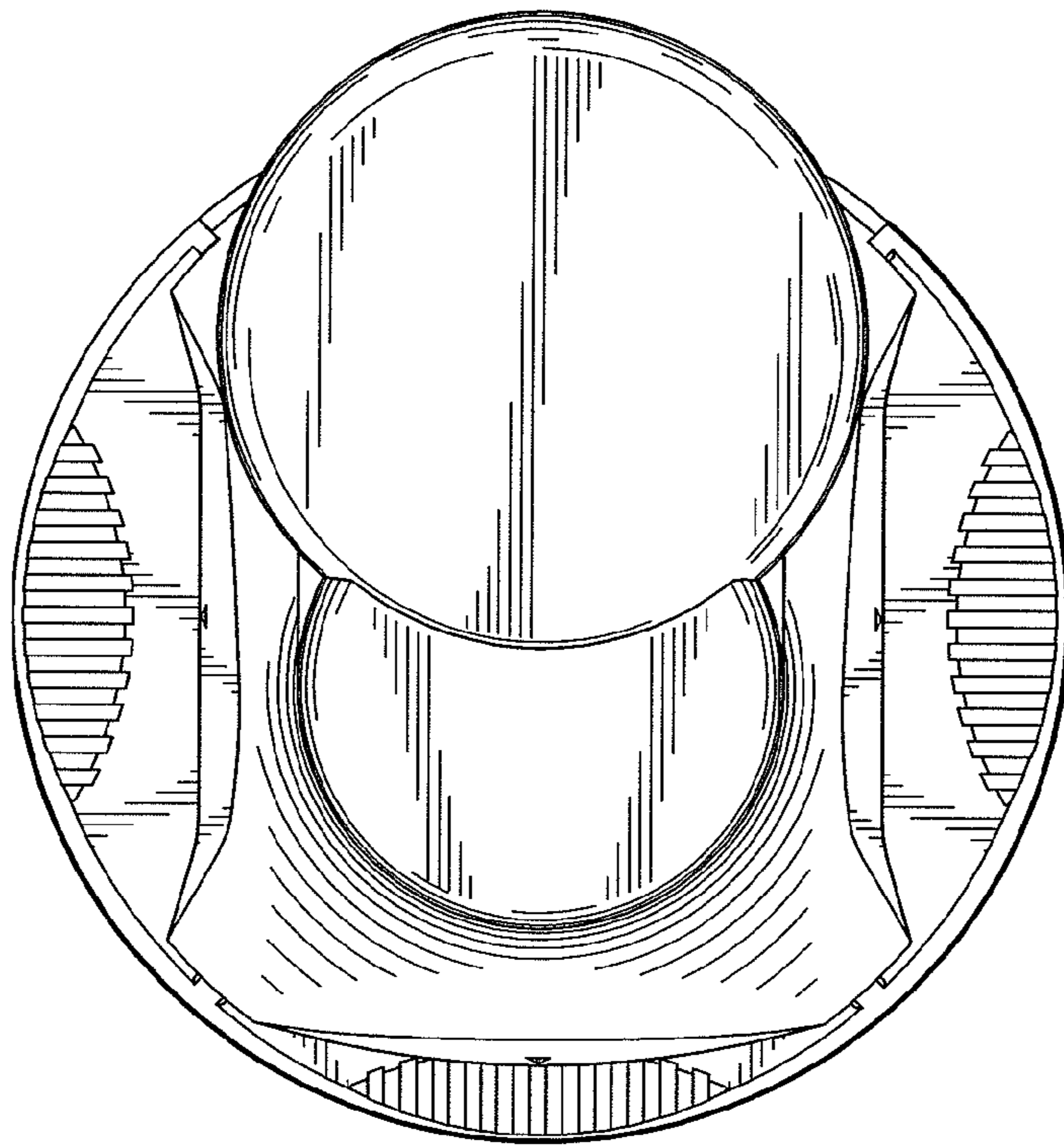


FIG.3

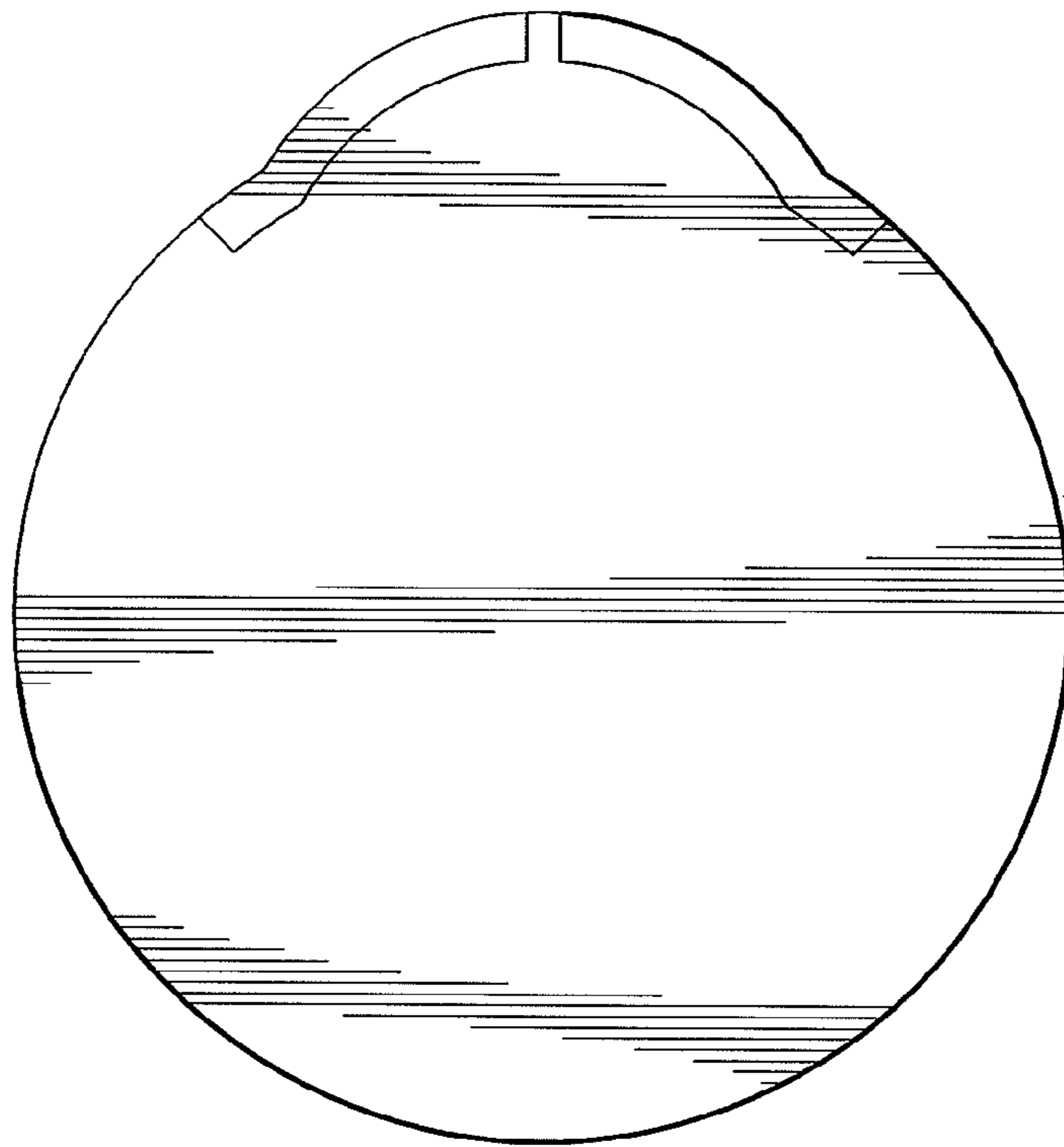


FIG.4

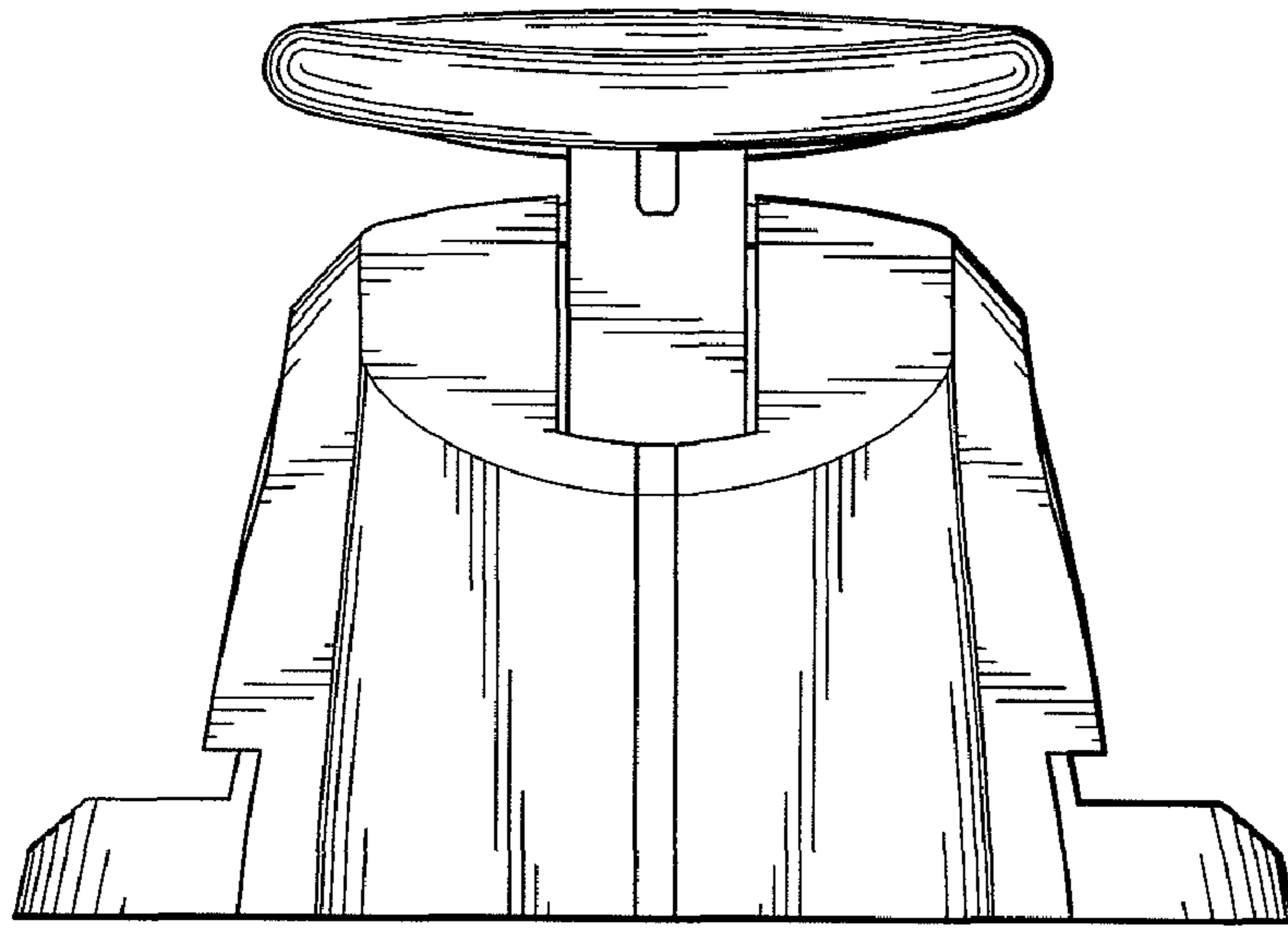


FIG.5

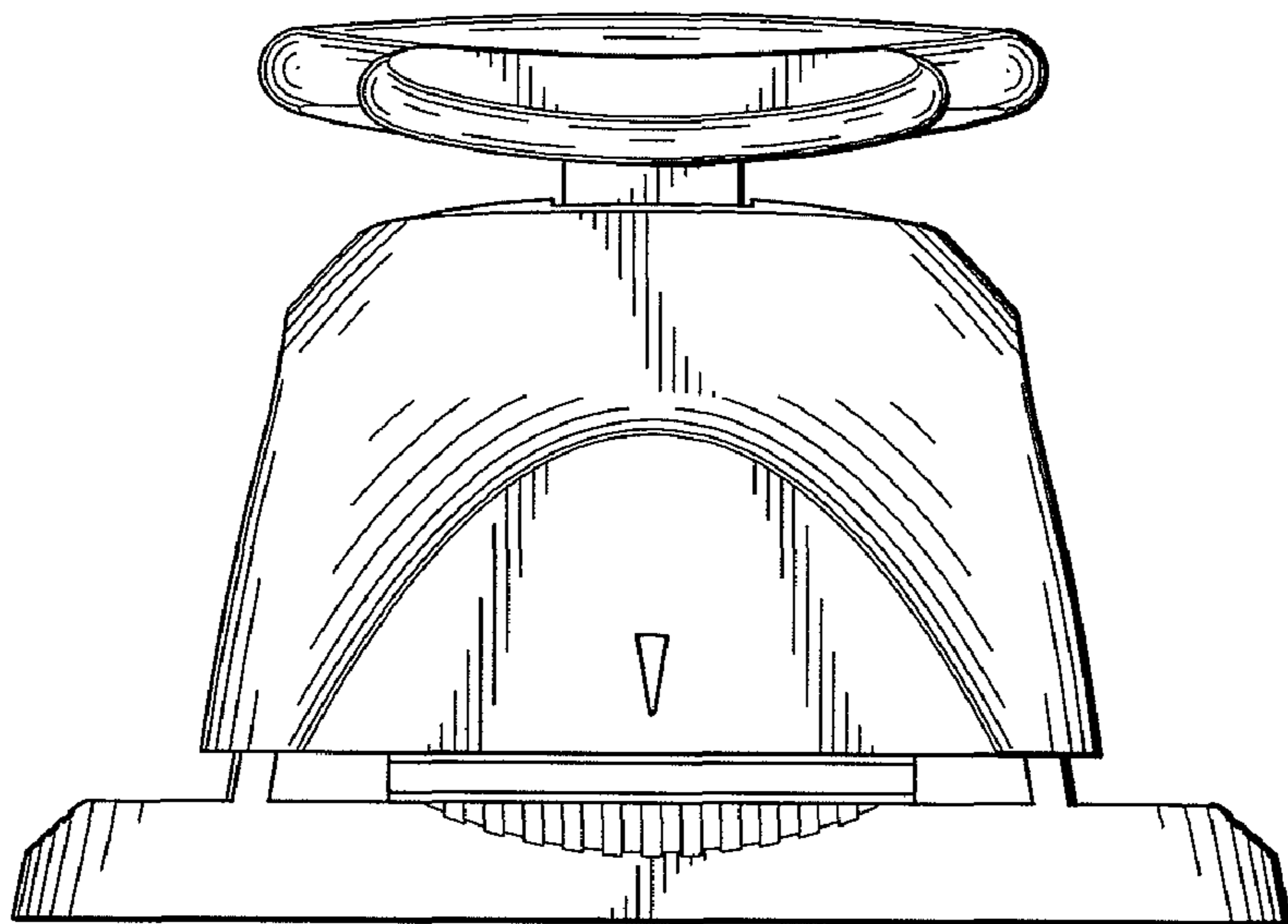


FIG.6

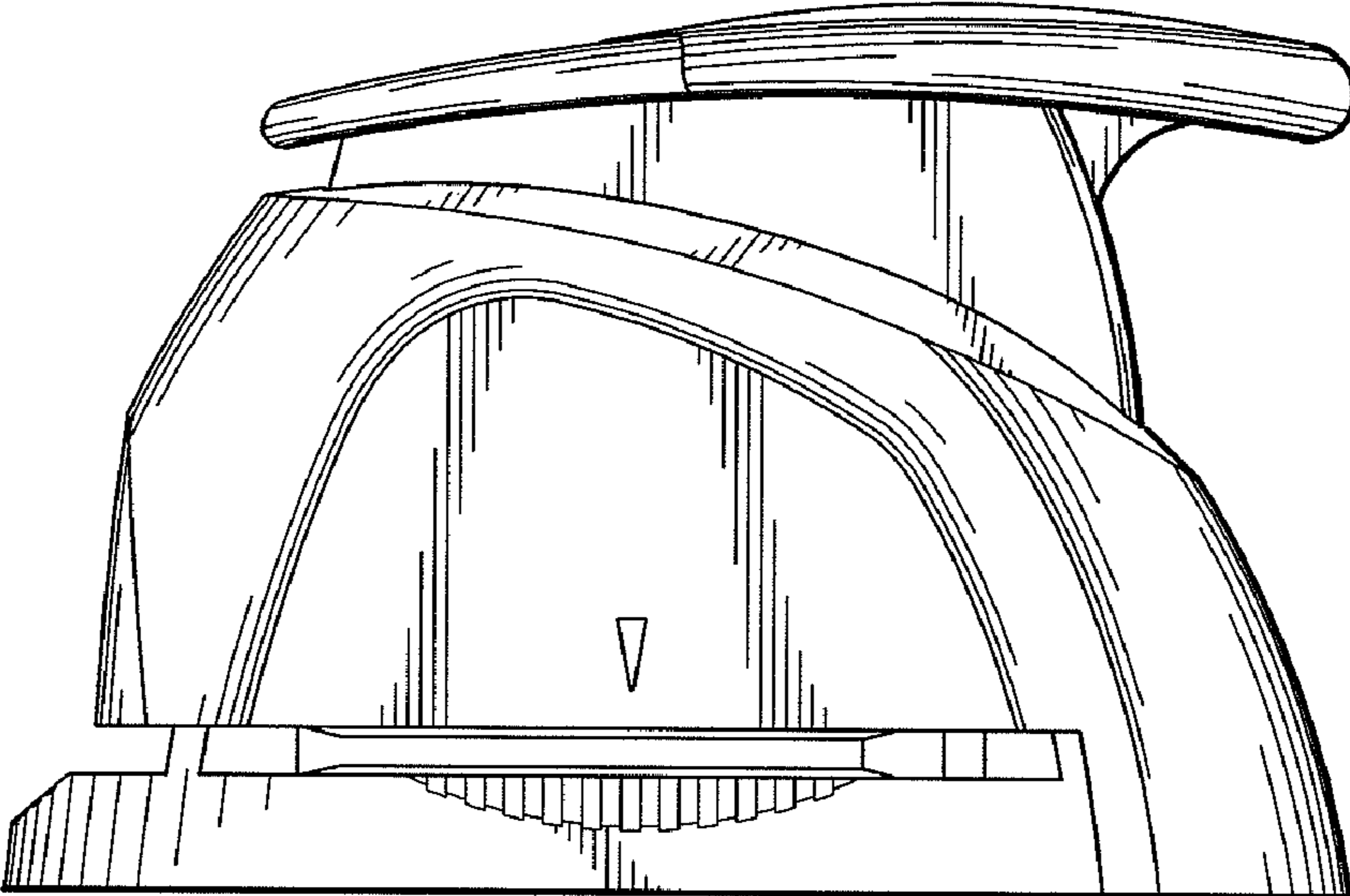


FIG.7

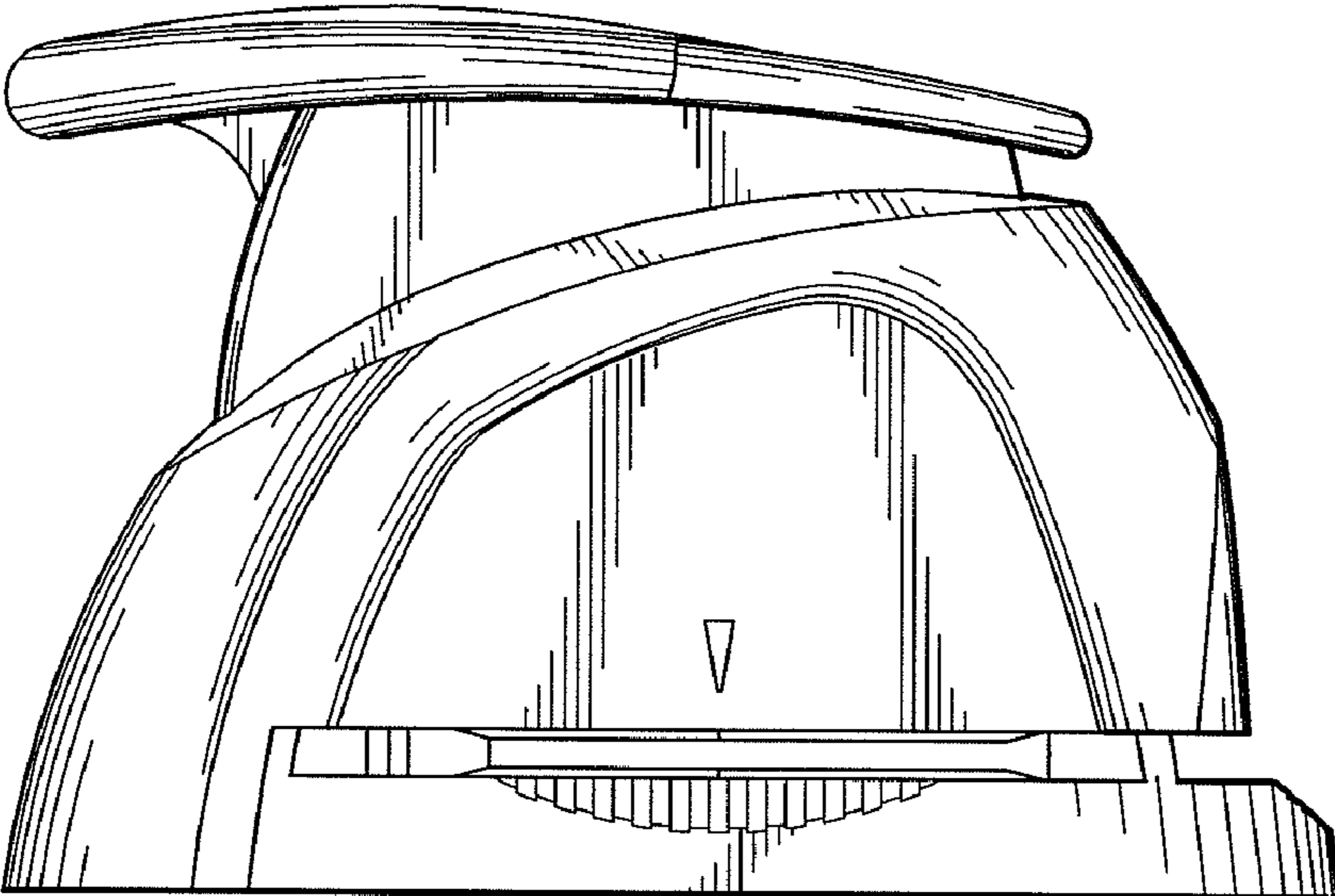


FIG.8