



US00D628646S

(12) **United States Design Patent**
Zhano

(10) **Patent No.:** **US D628,646 S**
(45) **Date of Patent:** **** Dec. 7, 2010**

(54) **PEN**
(75) Inventor: **Feng Zhano**, Ningbo (CN)
(73) Assignee: **Beifa Group Co., Ltd.**, Ningbo (CN)
(**) Term: **14 Years**
(21) Appl. No.: **29/354,377**
(22) Filed: **Jan. 22, 2010**
(30) **Foreign Application Priority Data**
Jul. 22, 2009 (CN) 2009 3 0203707

D414,203 S * 9/1999 Stukenkemper D19/48
D436,995 S 1/2001 Veillon
D440,601 S 4/2001 Sasaki
D440,604 S * 4/2001 Restrepo D19/51
6,261,015 B1 * 7/2001 McCauley et al. 401/103
D475,087 S * 5/2003 Stropkay et al. D19/56
D478,626 S * 8/2003 Stropkay et al. D19/51
D488,508 S * 4/2004 Finney et al. D19/51
D490,464 S * 5/2004 Andrews et al. D19/43
D495,363 S * 8/2004 Qiu D19/51
D500,338 S 12/2004 Kommer
D545,366 S 6/2007 Ternovits

(51) **LOC (9) Cl.** **19-06**
(52) **U.S. Cl.** **D19/51**
(58) **Field of Classification Search** D19/35,
D19/36, 41, 42, 43, 44, 45, 46, 47, 48, 49,
D19/50, 51, 53, 54, 55, 56, 57; 24/11 F,
24/11 P, 11 R; 401/6, 52, 99, 100, 104, 105,
401/106, 107, 108, 109, 192, 195, 243, 244,
401/245, 247

See application file for complete search history.

(56) **References Cited**
U.S. PATENT DOCUMENTS
D81,248 S 5/1930 Larsen
D81,254 S 5/1930 Parker
D186,149 S * 9/1959 Schier D19/49
3,343,292 A * 9/1967 Jorgensen 40/334
3,606,556 A * 9/1971 Green et al. 401/231
3,666,373 A * 5/1972 Reed 401/247
D238,358 S * 1/1976 Itoh D19/41
D239,112 S * 3/1976 Marynissen D19/45
D254,912 S 5/1980 Ito
D303,990 S 10/1989 Petterson
D329,461 S 9/1992 Katami
D339,162 S 9/1993 Verhaegue
D339,378 S * 9/1993 Verhaegue D19/51
D367,673 S 3/1996 Compte
D368,930 S 4/1996 Payne
D372,048 S 7/1996 Hollington
D398,934 S 9/1998 Veillon
D404,764 S * 1/1999 Perry et al. D19/48

(Continued)

Primary Examiner—Elizabeth A Albert
Assistant Examiner—Karen E Eldridge Powers
(74) *Attorney, Agent, or Firm*—Christensen O'Connor
Johnson Kindness PLLC

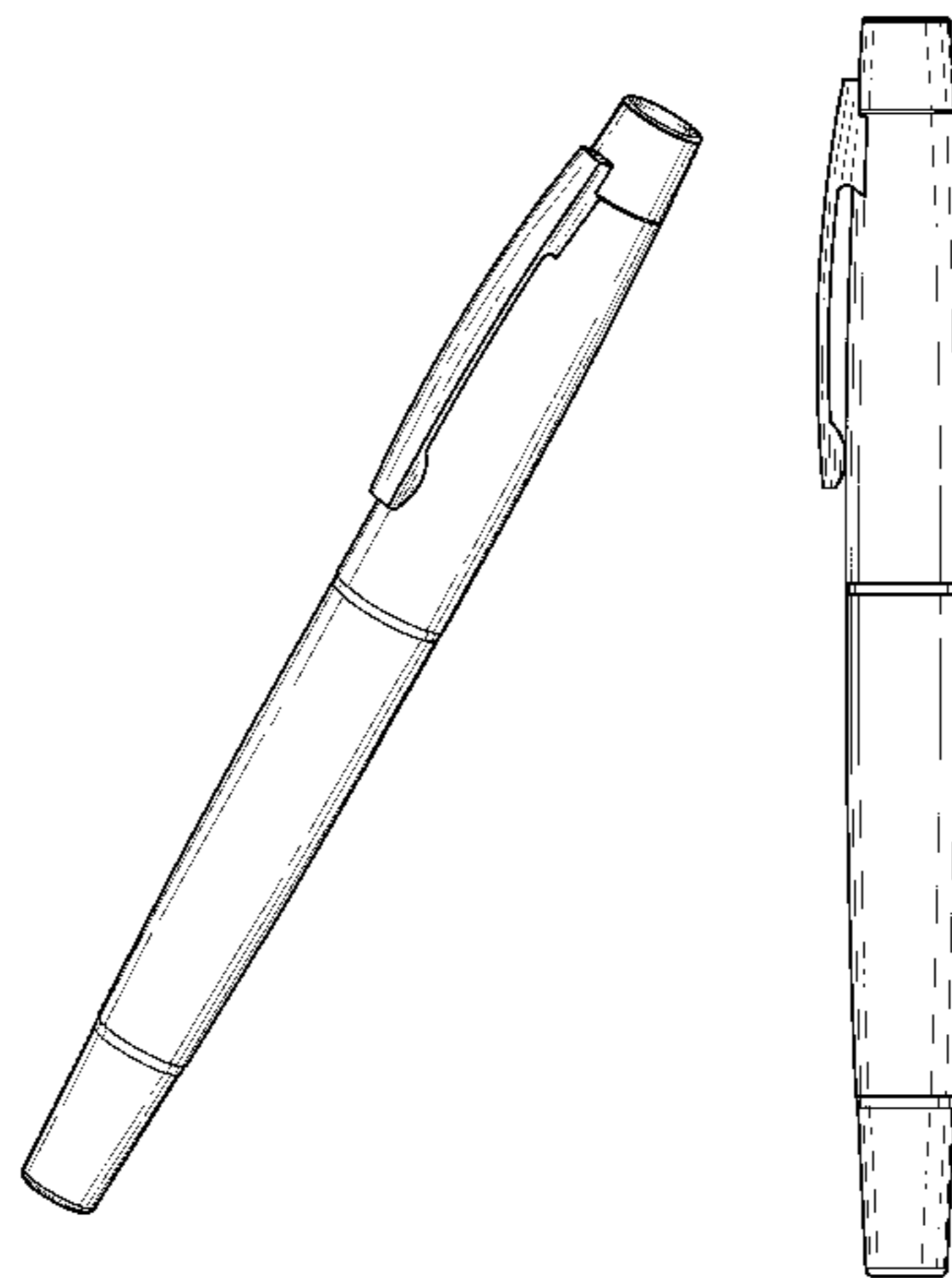
(57) **CLAIM**

The ornamental design for a pen, as shown and described.

DESCRIPTION

FIG. 1 is an upper front right perspective view of a pen showing my new design;
FIG. 2 is a right side elevation view thereof, with the left side elevation view being a mirror image of the right side elevation view;
FIG. 3 is a front elevation view thereof;
FIG. 4 is a rear elevation view thereof;
FIG. 5 is an enlarged top plan view thereof; and,
FIG. 6 is an enlarged bottom plan view thereof.

1 Claim, 3 Drawing Sheets



US D628,646 S

Page 2

U.S. PATENT DOCUMENTS

D547,375 S	7/2007	Gerules		D593,606 S *	6/2009	Oka et al.	D19/51
D569,906 S *	5/2008	Cetera	D19/48	D611,539 S	3/2010	Zhang	
D572,306 S *	7/2008	Qiu et al.	D19/36	D618,724 S *	6/2010	Gerules et al.	D19/51

* cited by examiner

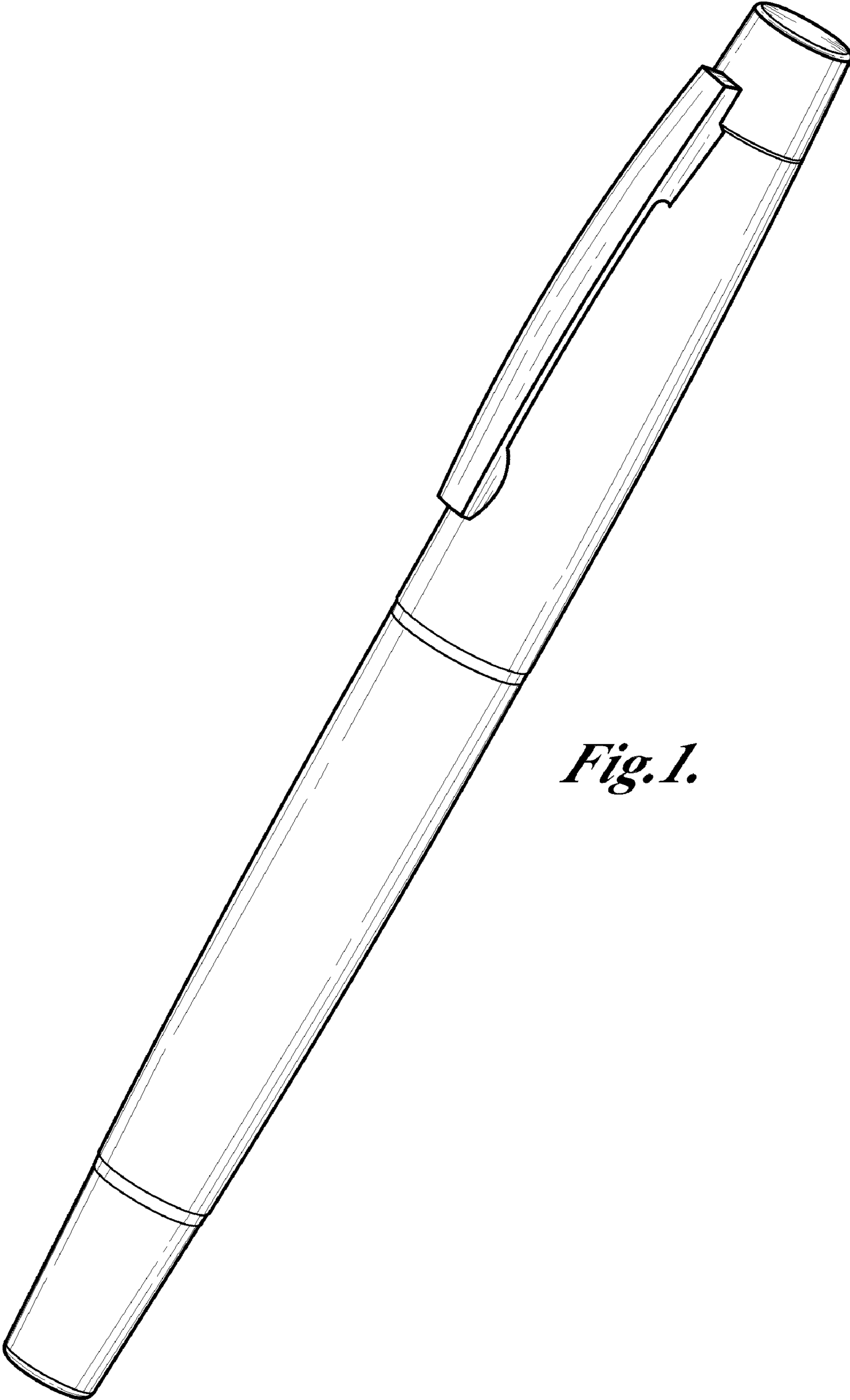


Fig. 1.

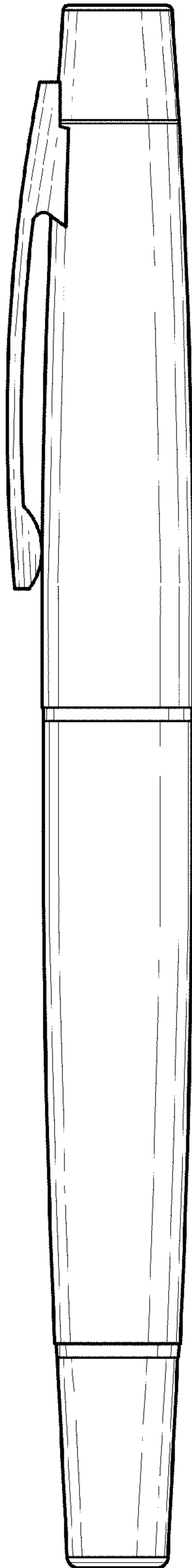


Fig. 2.

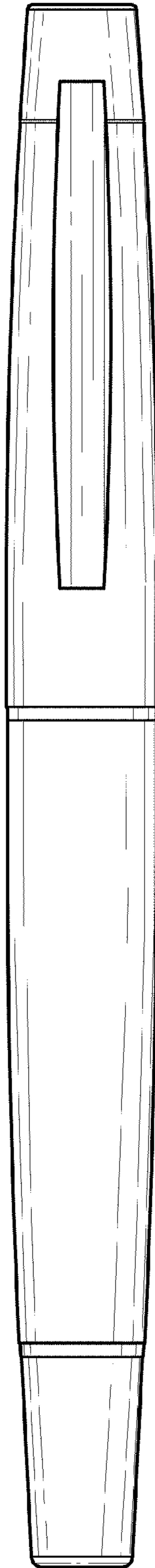


Fig. 3.

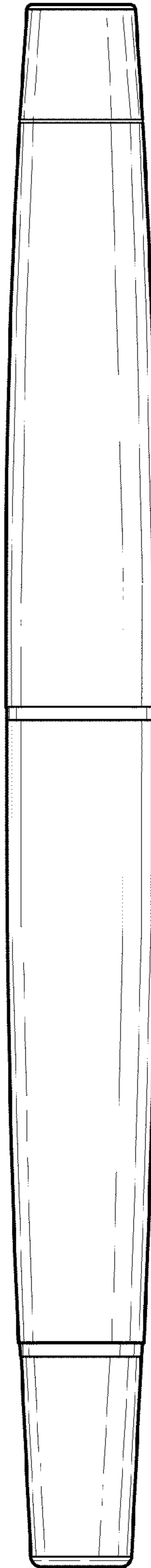


Fig. 4.

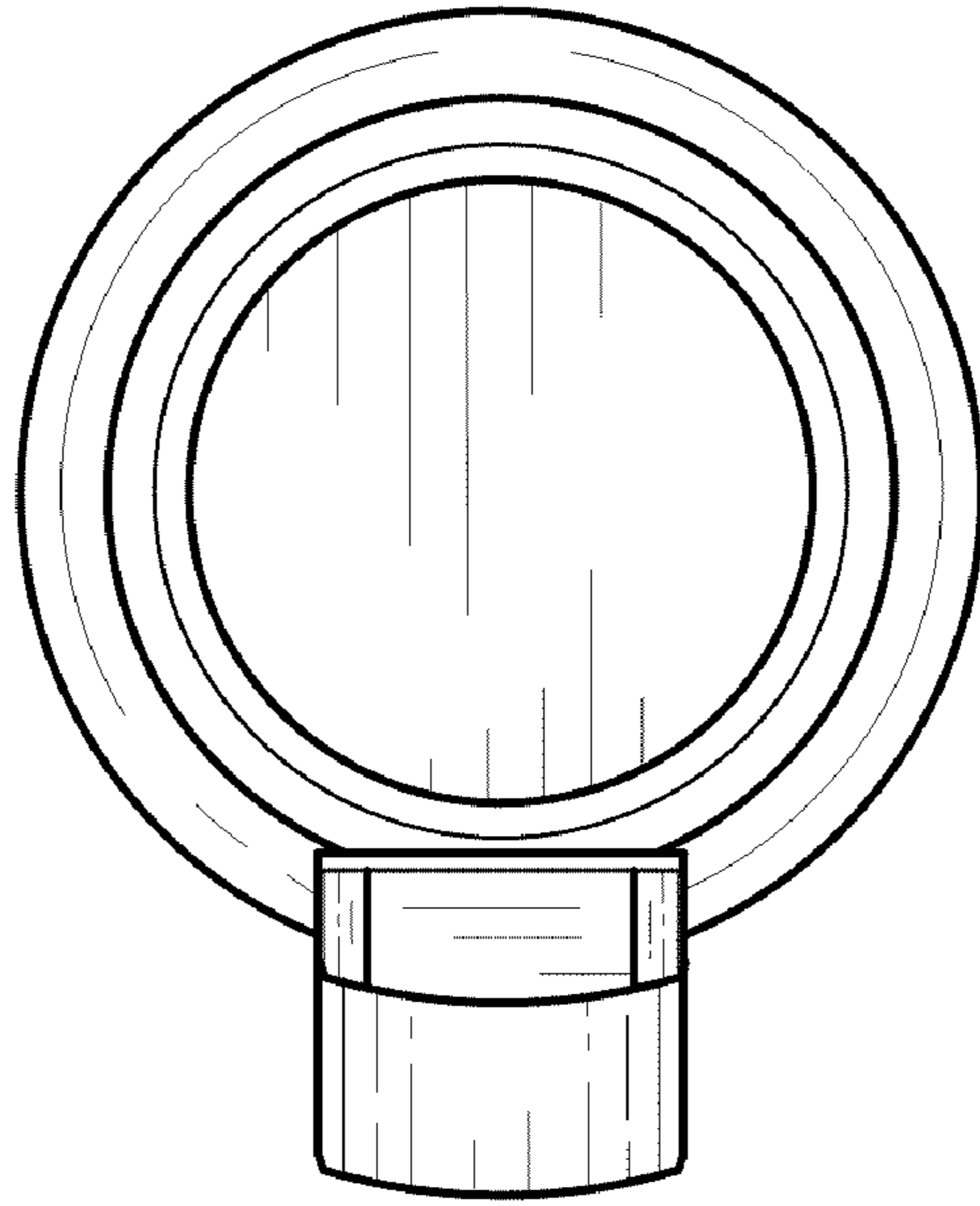


Fig. 5.

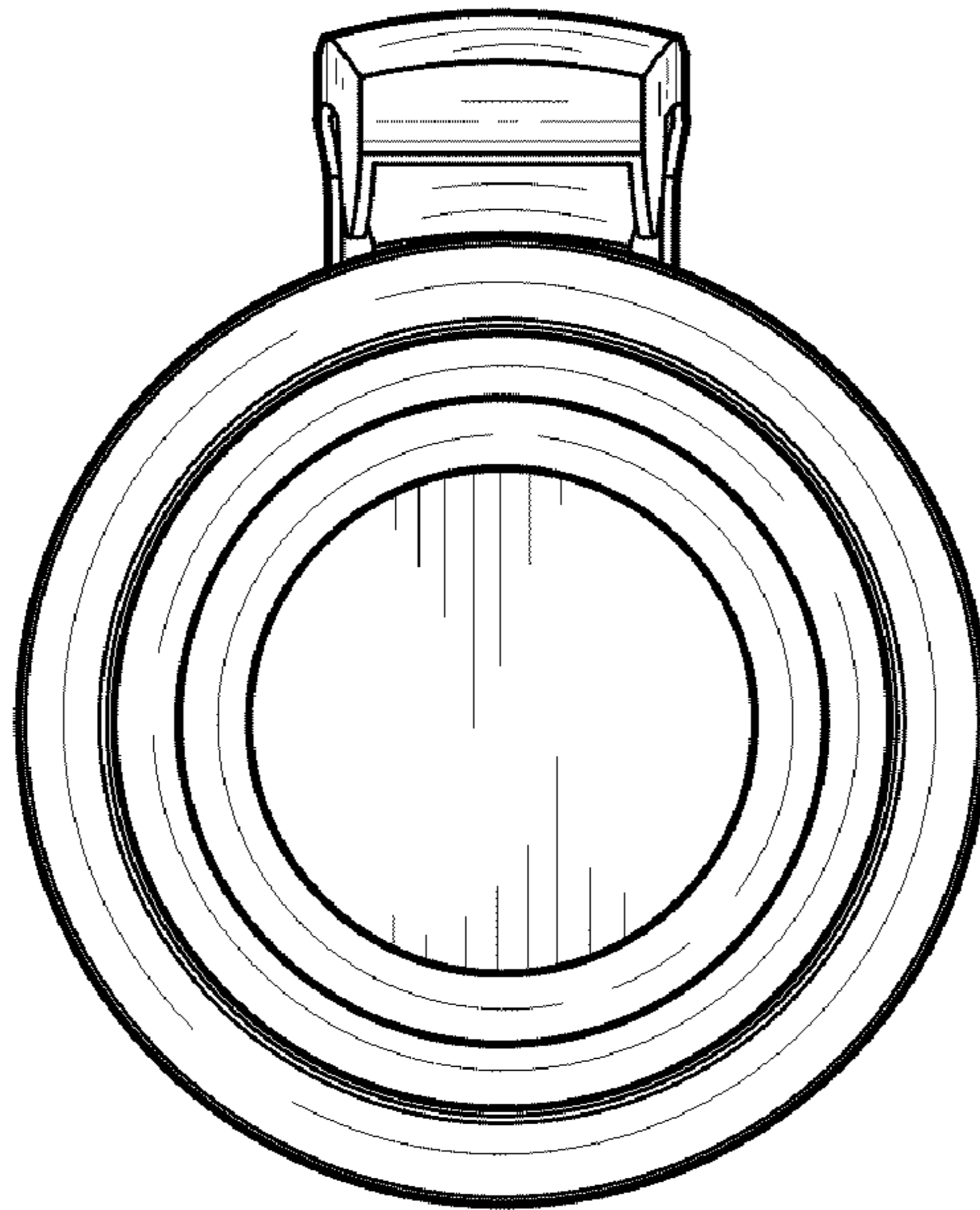


Fig. 6.