



US00D628641S

(12) **United States Design Patent**
Zhang

(10) **Patent No.:** **US D628,641 S**
(45) **Date of Patent:** **** Dec. 7, 2010**

- (54) **PEN**
- (75) Inventor: **Biwei Zhang**, Ningbo (CN)
- (73) Assignee: **Beifa Group Co., Ltd.**, Ningbo (CN)
- (**) Term: **14 Years**
- (21) Appl. No.: **29/351,680**
- (22) Filed: **Dec. 9, 2009**

D491,983 S 6/2004 Izushima
D503,742 S 4/2005 Mori

(Continued)

FOREIGN PATENT DOCUMENTS

CN 3598176 * 1/2007

(30) **Foreign Application Priority Data**

Jun. 10, 2009 (CN) 2009 3 0183995

(Continued)

OTHER PUBLICATIONS

Wang, W., "Pen," U.S. Appl. No. 29/330,713, filed Jan. 13, 2009.

- (51) **LOC (9) Cl.** **19-06**
- (52) **U.S. Cl.** **D19/50**
- (58) **Field of Classification Search** D14/411,
D14/431; D19/35, 36, 41, 42, 43, 44, 45,
D19/46, 47, 48, 49, 50, 51, 54, 55, 56; 24/11 F,
24/11 P, 11 R; 401/6, 52, 99, 100, 104, 105,
401/106, 107, 108, 109, 192, 195, 243, 244,
401/245, 246, 247

(Continued)

Primary Examiner—Elizabeth A Albert
Assistant Examiner—Karen E Eldridge Powers
(74) *Attorney, Agent, or Firm*—Christensen O'Connor
Johnson Kindness PLLC

See application file for complete search history.

(56) **References Cited**

(57) **CLAIM**

U.S. PATENT DOCUMENTS

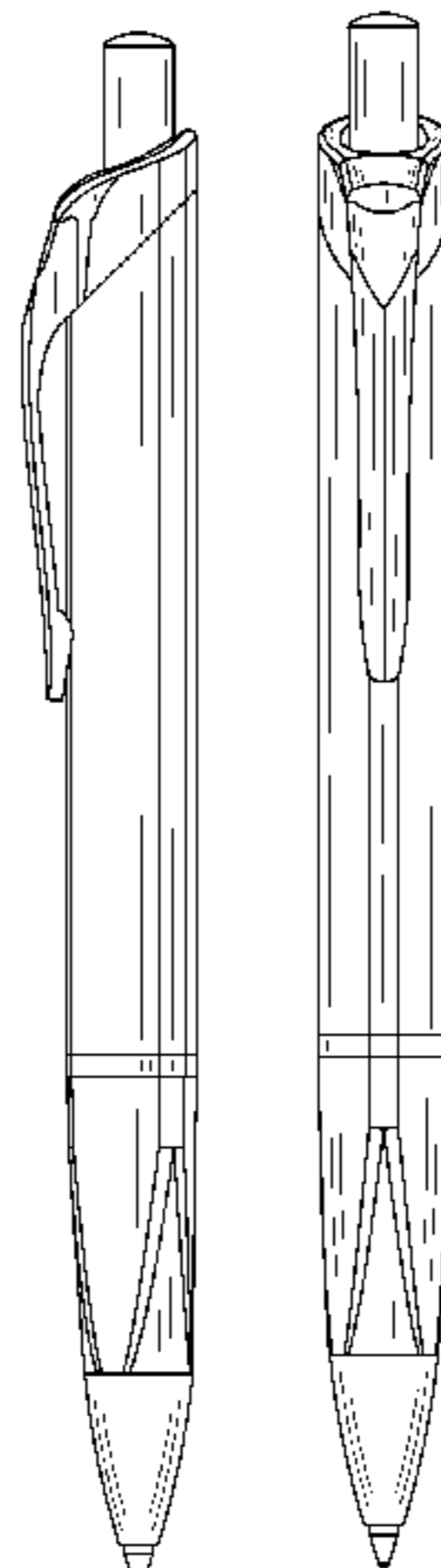
The ornamental design for a pen, as shown and described.

- D81,435 S 6/1930 Coby
- D188,972 S 10/1960 Young
- D213,341 S 2/1969 Fields
- D215,626 S 10/1969 Jonkers
- 3,606,554 A * 9/1971 De Bang et al. 401/105
- D304,601 S 11/1989 Alskog
- D325,045 S 3/1992 Katami
- D342,089 S 12/1993 Anavil
- D342,090 S 12/1993 Anavil
- D342,279 S 12/1993 Anavil
- D444,498 S 7/2001 Izushima
- D450,768 S 11/2001 Keda
- D453,187 S * 1/2002 Keda D19/48
- D462,988 S * 9/2002 Knudsen D19/36
- D463,822 S 10/2002 Keda
- D465,238 S 11/2002 Qiu
- D469,467 S 1/2003 Briggl
- D488,507 S * 4/2004 Finney et al. D19/51

DESCRIPTION

FIG. 1 is an upper front right perspective view of a pen showing my new design;
FIG. 2 is a right side elevation view thereof;
FIG. 3 is an enlarged top plan view thereof;
FIG. 4 is a front elevation view thereof;
FIG. 5 is a left elevation view thereof;
FIG. 6 is an enlarged bottom plan view thereof; and,
FIG. 7 is a rear elevation view thereof.

1 Claim, 3 Drawing Sheets



US D628,641 S

Page 2

U.S. PATENT DOCUMENTS

D508,077 S 8/2005 Bhavnani
D509,850 S 9/2005 Bhavnani
D513,767 S 1/2006 Bhavnani
D522,579 S 6/2006 Sim
D534,586 S * 1/2007 Togawa D19/50
D535,695 S * 1/2007 Chen D19/51
D541,344 S * 4/2007 Hamilton et al. D19/50
D558,269 S * 12/2007 Takanashi D19/49
D559,315 S 1/2008 Qiu
D559,318 S * 1/2008 Qiu et al. D19/51
D559,909 S 1/2008 Qiu
D562,895 S * 2/2008 Shibata D19/50
D576,675 S 9/2008 Kent
D578,572 S 10/2008 Qiu
D579,051 S * 10/2008 Patadia et al. D19/55
D579,977 S 11/2008 Fei
D580,493 S 11/2008 Fei

D587,752 S * 3/2009 Shimizu D19/50
D589,088 S * 3/2009 Li D19/50
D595,353 S * 6/2009 Li D19/48
D602,526 S * 10/2009 Matsumura D19/47
D603,899 S * 11/2009 Suero et al. D19/50
D607,932 S 1/2010 Zhang
D607,933 S 1/2010 Zhang
D610,615 S 2/2010 Li
D612,425 S * 3/2010 Suero et al. D19/41
D622,317 S * 8/2010 Li D19/50

FOREIGN PATENT DOCUMENTS

CN 3649526 * 5/2007
CN 300961407 * 7/2009

OTHER PUBLICATIONS

Zhang, B., "Pen," U.S. Appl. No. 29/330,723, filed Jan. 13, 2009.

* cited by examiner

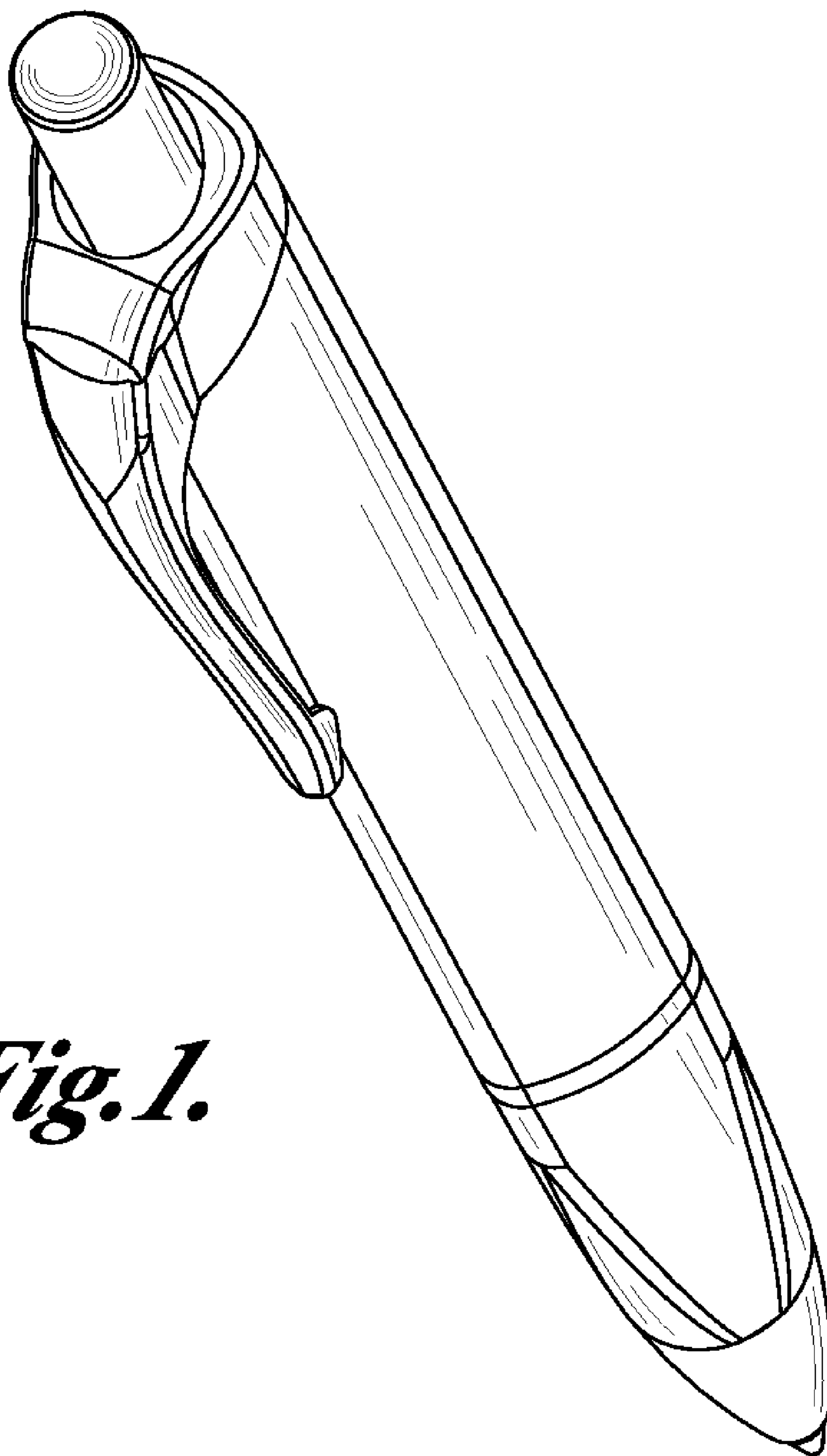
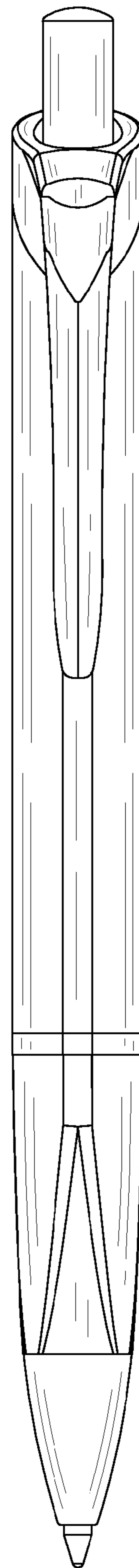
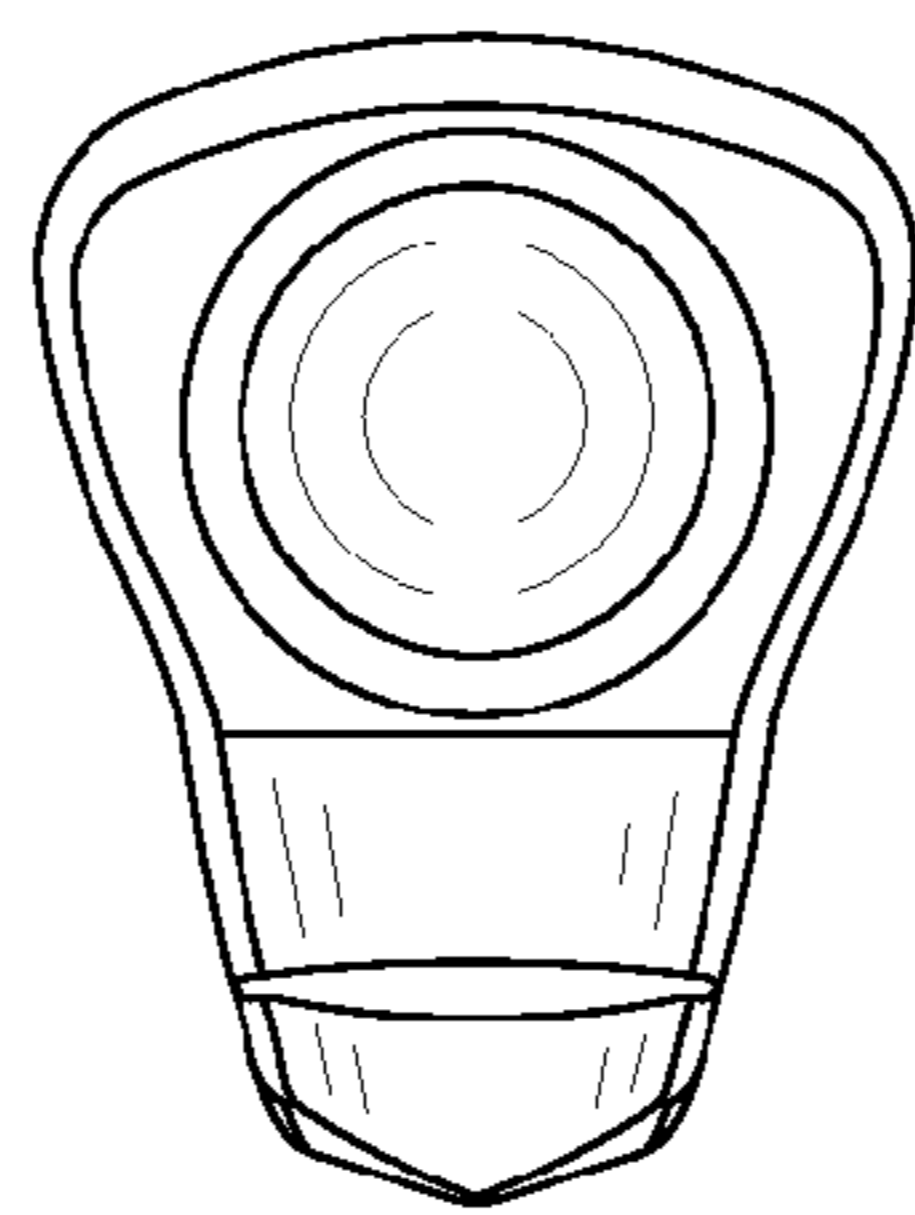
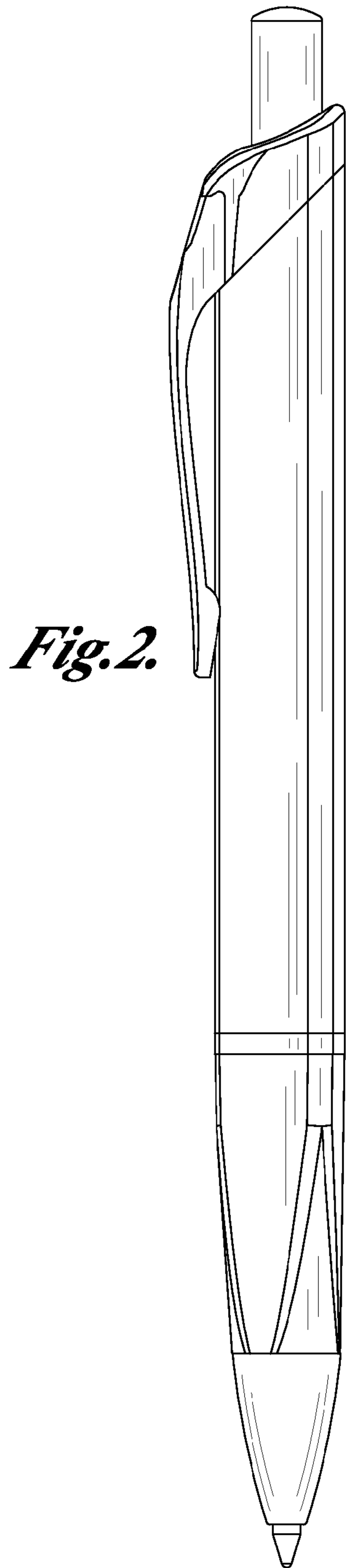


Fig. 1.



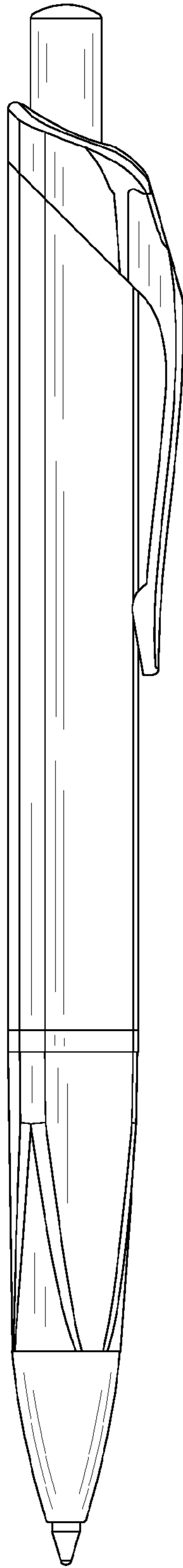


Fig. 5.

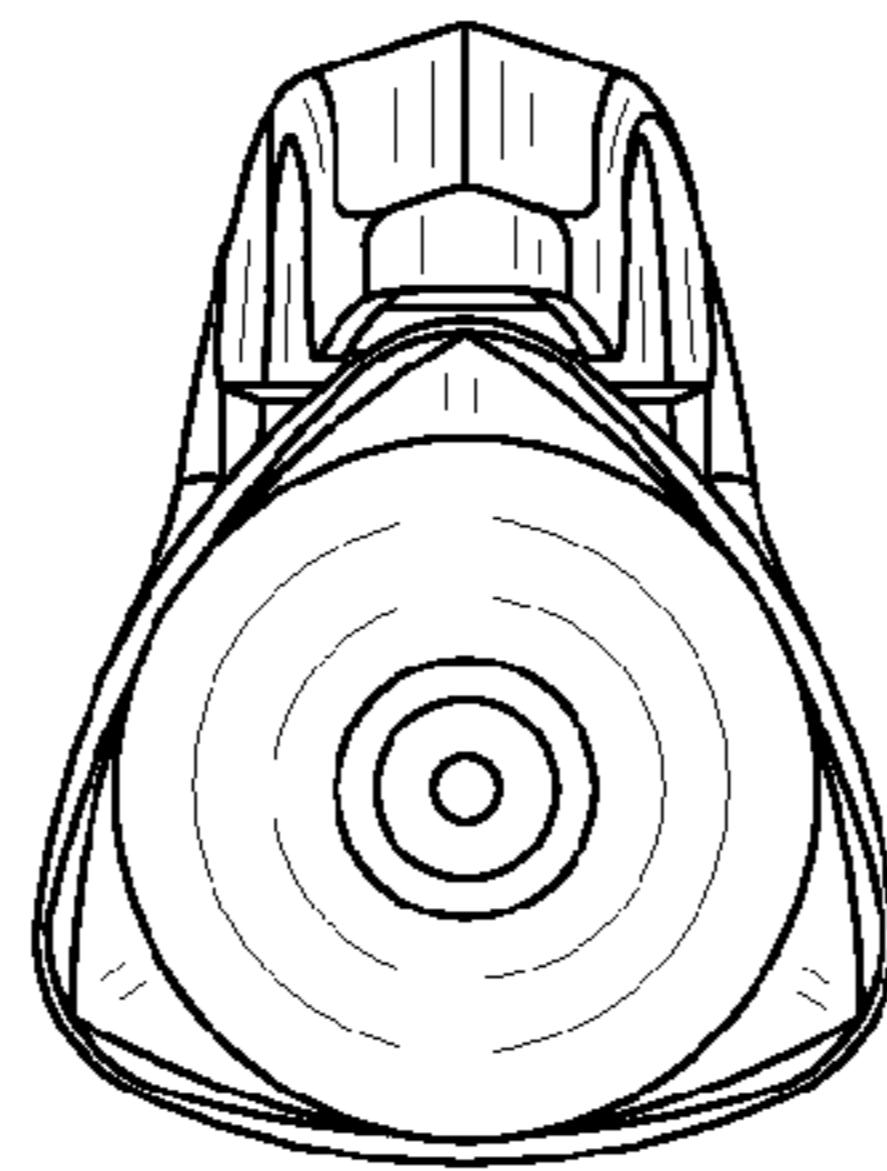


Fig. 6.

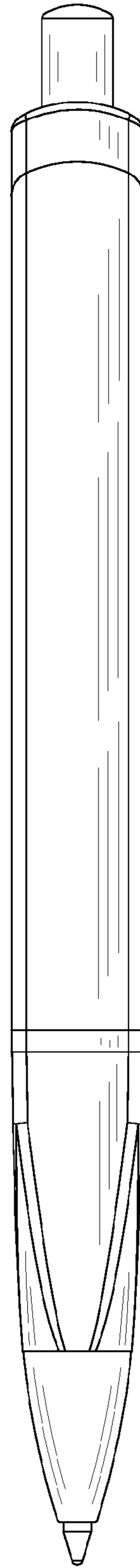


Fig. 7.