



US00D628638S

(12) **United States Design Patent**
Zhano

(10) **Patent No.:** **US D628,638 S**

(45) **Date of Patent:** **** Dec. 7, 2010**

(54) **PEN**

(75) Inventor: **Feng Zhano**, Ningbo (CN)

(73) Assignee: **Beifa Group Co., Ltd.**, Ningbo (CN)

(**) Term: **14 Years**

(21) Appl. No.: **29/354,105**

(22) Filed: **Jan. 19, 2010**

(30) **Foreign Application Priority Data**

Jul. 19, 2009 (CN) 2009 3 0194943

(51) **LOC (9) Cl.** **19-06**

(52) **U.S. Cl.** **D19/48**

(58) **Field of Classification Search** D14/411,
D14/431; D19/35, 36, 41, 42, 43, 44, 45,
D19/46, 47, 48, 49, 50, 51, 54, 55, 56; 24/11 F,
24/11 P, 11 R; 401/6, 52, 99, 100, 104, 105,
401/106, 107, 108, 109, 192, 195, 243, 244,
401/245, 246, 247

See application file for complete search history.

(56) **References Cited**

U.S. PATENT DOCUMENTS

- D57,397 S 3/1921 Taussig
- D174,249 S 3/1955 Daniels
- D269,189 S 5/1983 Sakaoka
- D286,789 S 11/1986 Thompson
- D288,825 S 3/1987 Thompson
- D289,304 S 4/1987 Giugiaro
- D306,458 S 3/1990 Lecce
- D309,633 S * 7/1990 Itoh D19/51
- D312,478 S 11/1990 Lecce
- D319,845 S 9/1991 Grottsch
- D323,186 S 1/1992 Clark
- D342,545 S 12/1993 Kao
- D352,063 S * 11/1994 de Haro Egea et al. D19/36
- D356,306 S 3/1995 Ady
- D357,275 S 4/1995 Covington
- D361,783 S 8/1995 Wei

- D363,739 S 10/1995 Petrillo
- D389,131 S 1/1998 Nagaoka
- D391,153 S 2/1998 Poisson
- D398,642 S * 9/1998 Avenatti D19/48
- D400,922 S 11/1998 Sakuno
- D401,624 S 11/1998 Sakuno
- D406,604 S 3/1999 Andrews

(Continued)

OTHER PUBLICATIONS

Li, B., "Pen," U.S. Appl. No. 29/357,152, filed Mar. 8, 2010.

(Continued)

Primary Examiner—Elizabeth A Albert
Assistant Examiner—Karen E Eldridge Powers
(74) *Attorney, Agent, or Firm*—Christensen O'Connor
Johnson Kindness PLLC

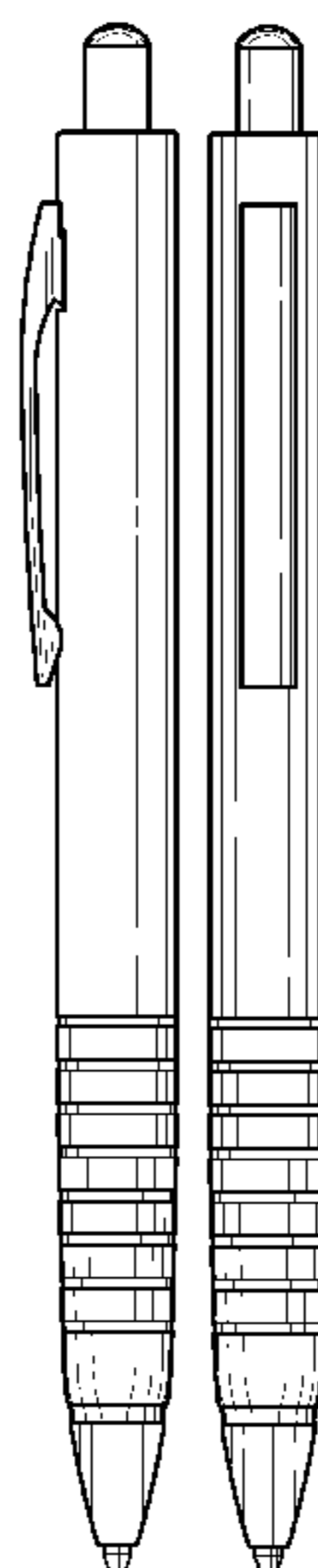
(57) **CLAIM**

The ornamental design for a pen, as shown and described.

DESCRIPTION

FIG. 1 is a right side perspective view of a pen showing my new design;
FIG. 2 is a right side elevation view thereof, with the left side elevation view being a minor image of the right side elevation view;
FIG. 3 is a front elevation view thereof;
FIG. 4 is a rear elevation view thereof;
FIG. 5 is an enlarged top plan view thereof; and,
FIG. 6 is an enlarged bottom plan view thereof.

1 Claim, 3 Drawing Sheets



US D628,638 S

Page 2

U.S. PATENT DOCUMENTS

D407,114 S 3/1999 Sakuno
D413,926 S 9/1999 Polidoro
D414,512 S 9/1999 Yazawa
D420,702 S * 2/2000 Chang D19/36
D421,052 S 2/2000 Yazawa
D421,771 S 3/2000 Avenatti
D425,120 S * 5/2000 Ramil D19/49
D425,559 S * 5/2000 Beneyto D19/51
D431,262 S 9/2000 Izushima
D440,602 S 4/2001 Ikeda
D444,173 S 6/2001 Izushima
D444,174 S 6/2001 Izushima
D452,707 S 1/2002 Kazaoka
D453,354 S 2/2002 Ikenaga
D457,563 S 5/2002 Moon
D462,356 S * 9/2002 Ono et al. D14/411

D475,406 S 6/2003 Cetera
D484,537 S * 12/2003 Arita et al. D19/43
D496,962 S 10/2004 Bonnamour
D500,792 S 1/2005 Bain
D511,545 S 11/2005 Chiaruttini
D546,389 S 7/2007 Chiaruttini
D548,787 S 8/2007 Slemp
D582,979 S * 12/2008 Leibeck D19/48
D605,699 S 12/2009 Li

OTHER PUBLICATIONS

Wang, W., "Pen," U.S. Appl. No. 29/354,358, filed Jan. 22, 2010.
Xiao, Y., "Mechanical Pencil," U.S. Appl. No. 29/350,919, filed Nov. 25, 2009.
Zhano, F., "Pen," U.S. Appl. No. 29/354,377, filed Jan. 22, 2010.

* cited by examiner

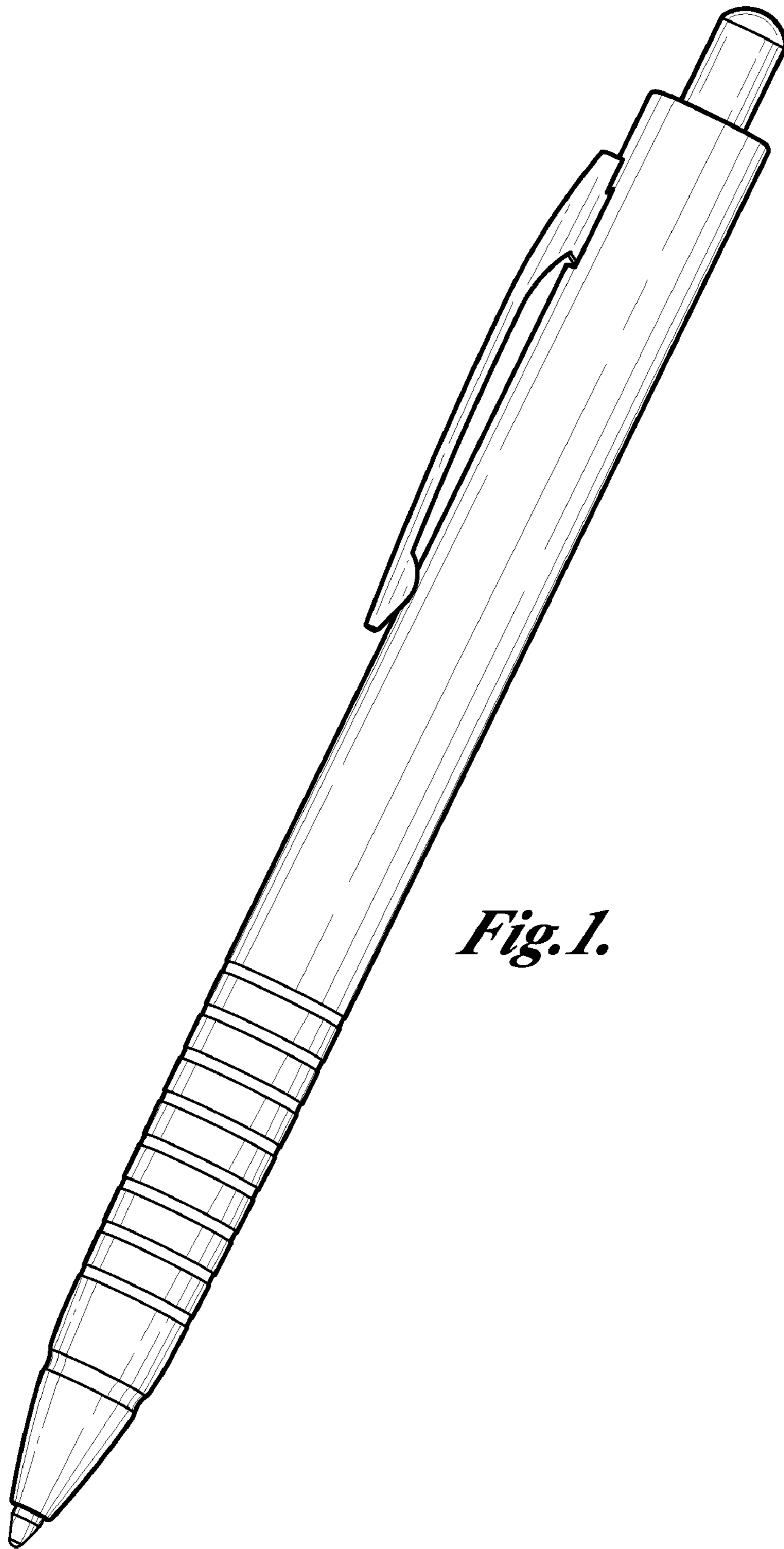


Fig. 1.



Fig. 2.

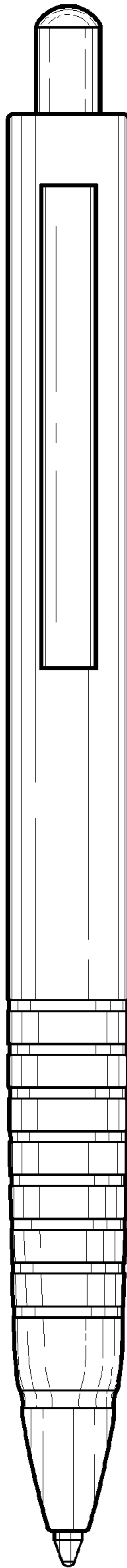


Fig. 3.

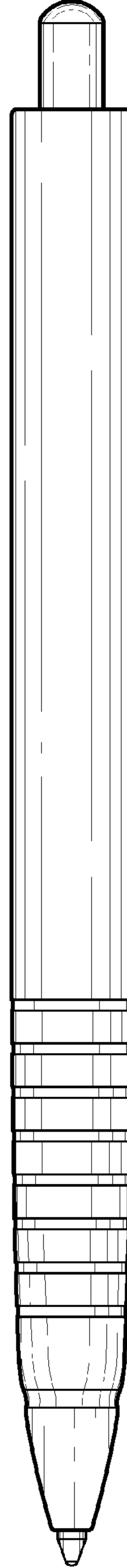


Fig. 4.

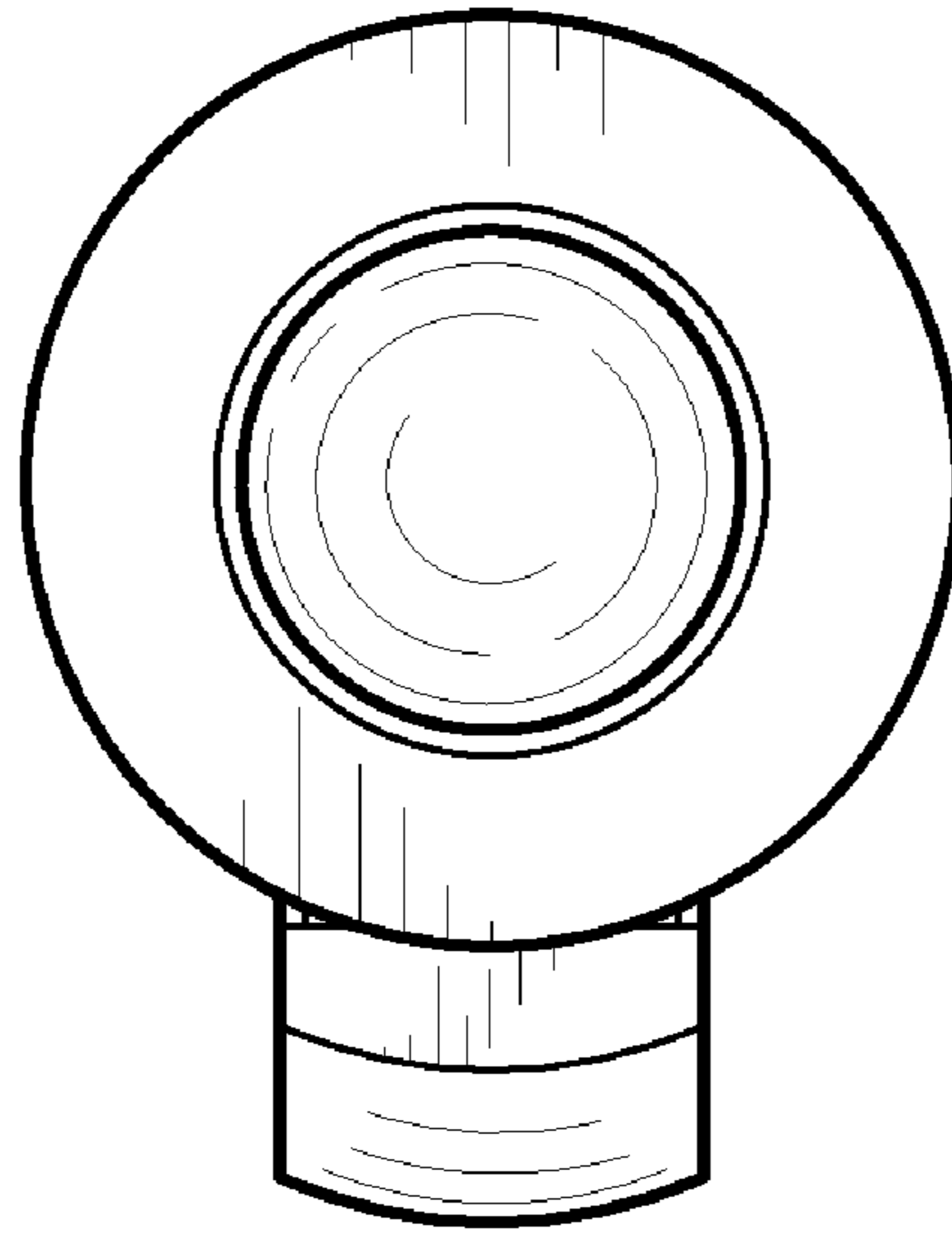


Fig. 5.

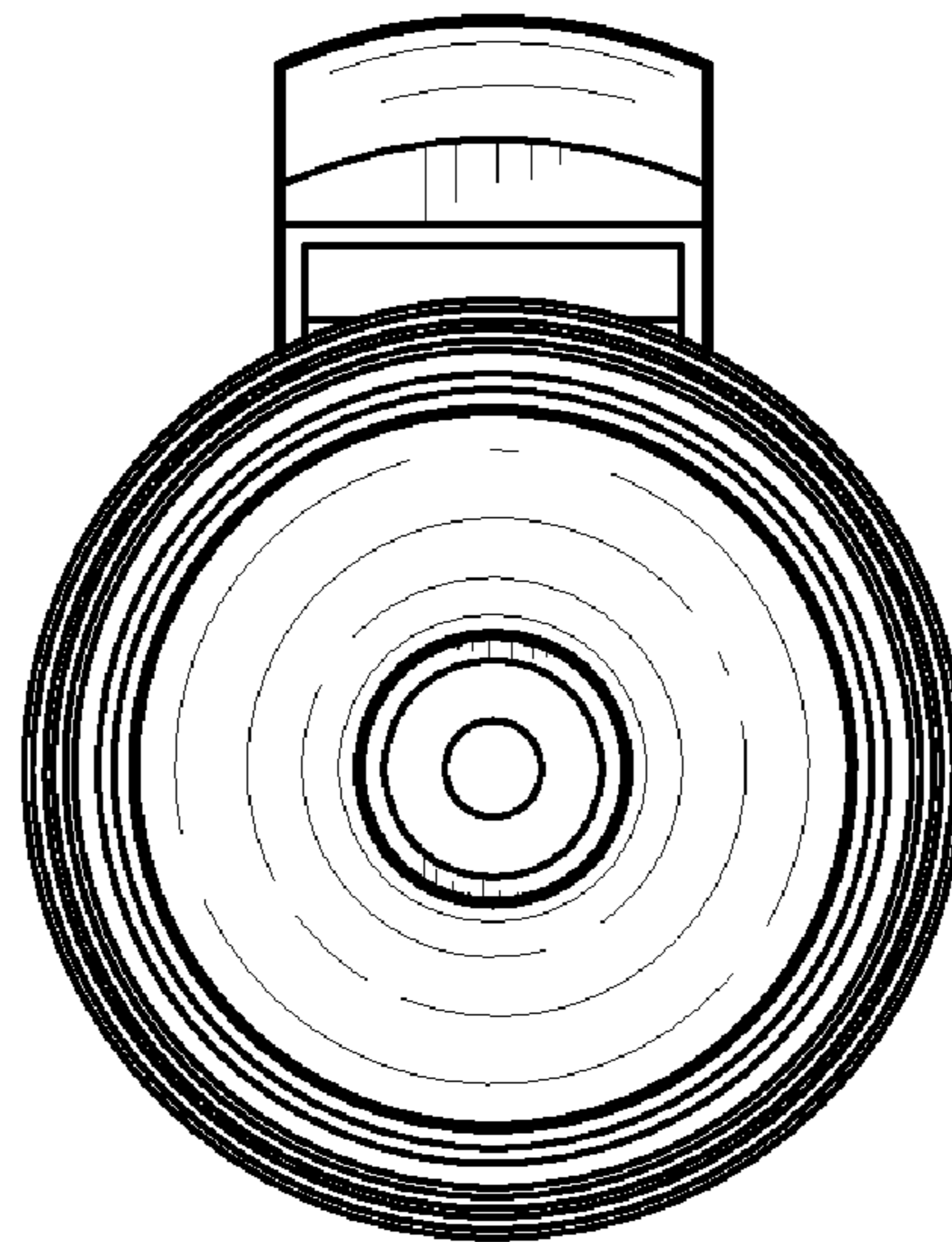


Fig. 6.

UNITED STATES PATENT AND TRADEMARK OFFICE
CERTIFICATE OF CORRECTION

PATENT NO. : D628,638 S
APPLICATION NO. : 29/354105
DATED : December 7, 2010
INVENTOR(S) : F. Zhano

Page 1 of 1

It is certified that error appears in the above-identified patent and that said Letters Patent is hereby corrected as shown below:

On the title page item (57) under Description

col. 2 line 3, "being a minor image" should read --being a mirror image--

Signed and Sealed this
Tenth Day of May, 2011

A handwritten signature in black ink that reads "David J. Kappos". The signature is written in a cursive style with a large initial "D" and "K".

David J. Kappos
Director of the United States Patent and Trademark Office