



US00D628637S

(12) **United States Design Patent**
Xiao

(10) **Patent No.:** **US D628,637 S**
(45) **Date of Patent:** **** Dec. 7, 2010**

(54) **MECHANICAL PENCIL**

(75) Inventor: **Yin Xiao**, Ningbo (CN)

(73) Assignee: **Beifa Group Co., Ltd.**, Ningbo (CN)

(**) Term: **14 Years**

(21) Appl. No.: **29/350,919**

(22) Filed: **Nov. 25, 2009**

(30) **Foreign Application Priority Data**

May 26, 2009 (CN) 2009 3 0187286

(51) **LOC (9) Cl.** **19-06**

(52) **U.S. Cl.** **D19/48**

(58) **Field of Classification Search** D19/35,
D19/36, 41-51, 53-57; 24/11 F, 11 P, 11 R;
401/52, 99, 100, 104-109, 192, 195, 196
See application file for complete search history.

(56) **References Cited**

U.S. PATENT DOCUMENTS

- D57,397 S 3/1921 Taussig
- D64,772 S * 5/1924 Swanberg D19/46
- D155,031 S 8/1949 Patterson
- D216,844 S * 3/1970 Shimada D19/49
- 4,238,163 A * 12/1980 Hung 401/89
- D269,189 S * 5/1983 Sakaoka D19/48
- D286,789 S 11/1986 Thompson
- D288,825 S 3/1987 Thompson
- D289,304 S 4/1987 Giugiaro
- D323,186 S 1/1992 Clark
- D339,607 S 9/1993 White
- D346,401 S * 4/1994 Sakuno D19/48
- D356,306 S 3/1995 Ady
- D363,739 S * 10/1995 Petrillo D19/48
- D389,131 S 1/1998 Nagaoka
- D391,153 S 2/1998 Poisson
- D399,255 S * 10/1998 Melnick D19/49
- D404,765 S * 1/1999 Izushima et al. D19/51
- D406,604 S * 3/1999 Andrews et al. D19/48
- D407,114 S 3/1999 Sakuno
- D413,926 S 9/1999 Polidoro

- D414,512 S 9/1999 Yazawa
- D421,052 S 2/2000 Yazawa
- D421,053 S * 2/2000 Izushima D19/51
- D421,771 S 3/2000 Avenatti
- D440,602 S 4/2001 Ikeda

(Continued)

FOREIGN PATENT DOCUMENTS

WO DM/047525 * 4/1999

OTHER PUBLICATIONS

Li, B., "Pen," U.S. Appl. No. 29/357,152, filed Mar. 8, 2010.

(Continued)

Primary Examiner—Elizabeth A Albert
(74) *Attorney, Agent, or Firm*—Christensen O'Connor
Johnson Kindness PLLC

(57) **CLAIM**

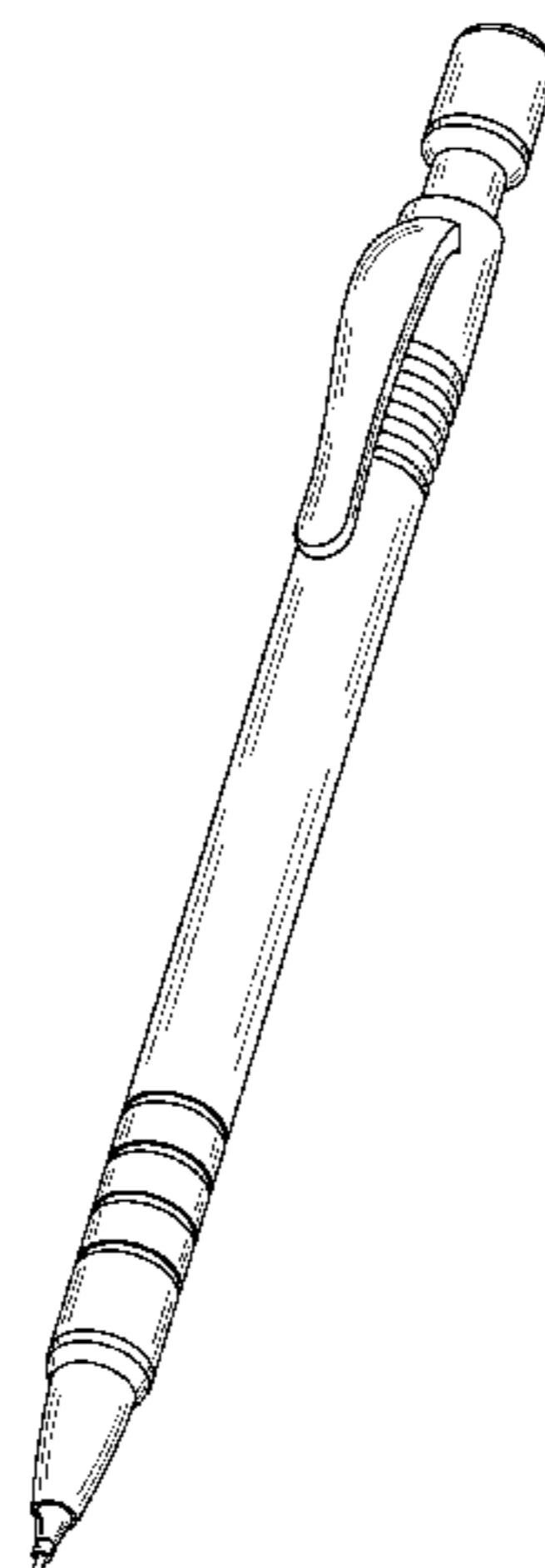
The ornamental design for a mechanical pencil, as shown and described.

DESCRIPTION

FIG. 1 is a lower front right perspective view of a mechanical pencil showing my new design;
FIG. 2 is a right side elevation view thereof;
FIG. 3 is an enlarged top plan view thereof;
FIG. 4 is a front elevation view thereof;
FIG. 5 is a left side elevation view thereof;
FIG. 6 is an enlarged bottom plan view thereof; and,
FIG. 7 is a rear elevation view thereof.

The broken lines in FIG. 3 are included for the purpose of illustrating a portion of the top that forms no part of the claimed design.

1 Claim, 3 Drawing Sheets



US D628,637 S

Page 2

U.S. PATENT DOCUMENTS

D442,632 S 5/2001 Ono
D444,173 S 6/2001 Izushima
D445,131 S * 7/2001 Keda D19/51
D452,527 S 12/2001 Maki
D452,707 S 1/2002 Kazaoka
D453,354 S 2/2002 Ikenaga
D457,563 S 5/2002 Moon
D475,406 S 6/2003 Cetera
D485,299 S 1/2004 Bodino
D496,962 S 10/2004 Bonnamour
D500,792 S * 1/2005 Bain et al. D19/48
D506,503 S 6/2005 Qiu
D511,545 S * 11/2005 Chiaruttini D19/48
D512,098 S 11/2005 Qiu

D512,457 S 12/2005 Anand
D546,389 S 7/2007 Chiaruttini
D548,787 S 8/2007 Slemp
D552,212 S * 10/2007 Lu D19/51
D562,894 S * 2/2008 Nishida D19/49
D563,469 S 3/2008 Qiu
D566,176 S * 4/2008 Rolion et al. D19/46
D567,287 S 4/2008 Anand
D570,412 S 6/2008 Qiu
D605,699 S 12/2009 Li

OTHER PUBLICATIONS

Wang, W., "Pen," U.S. Appl. No. 29/354,358, filed Jan. 22, 2010.
Zhano, F., "Pen," U.S. Appl. No. 29/354,105, filed Jan. 19, 2010.

* cited by examiner

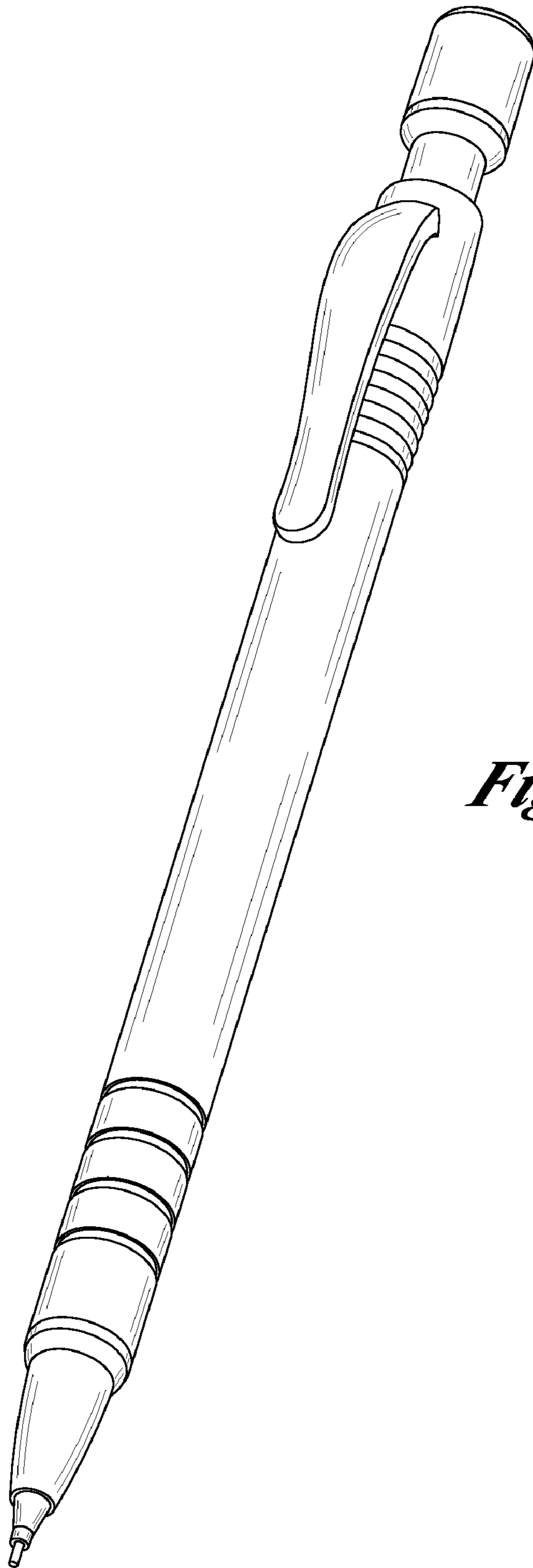


Fig. 1.



Fig. 2.

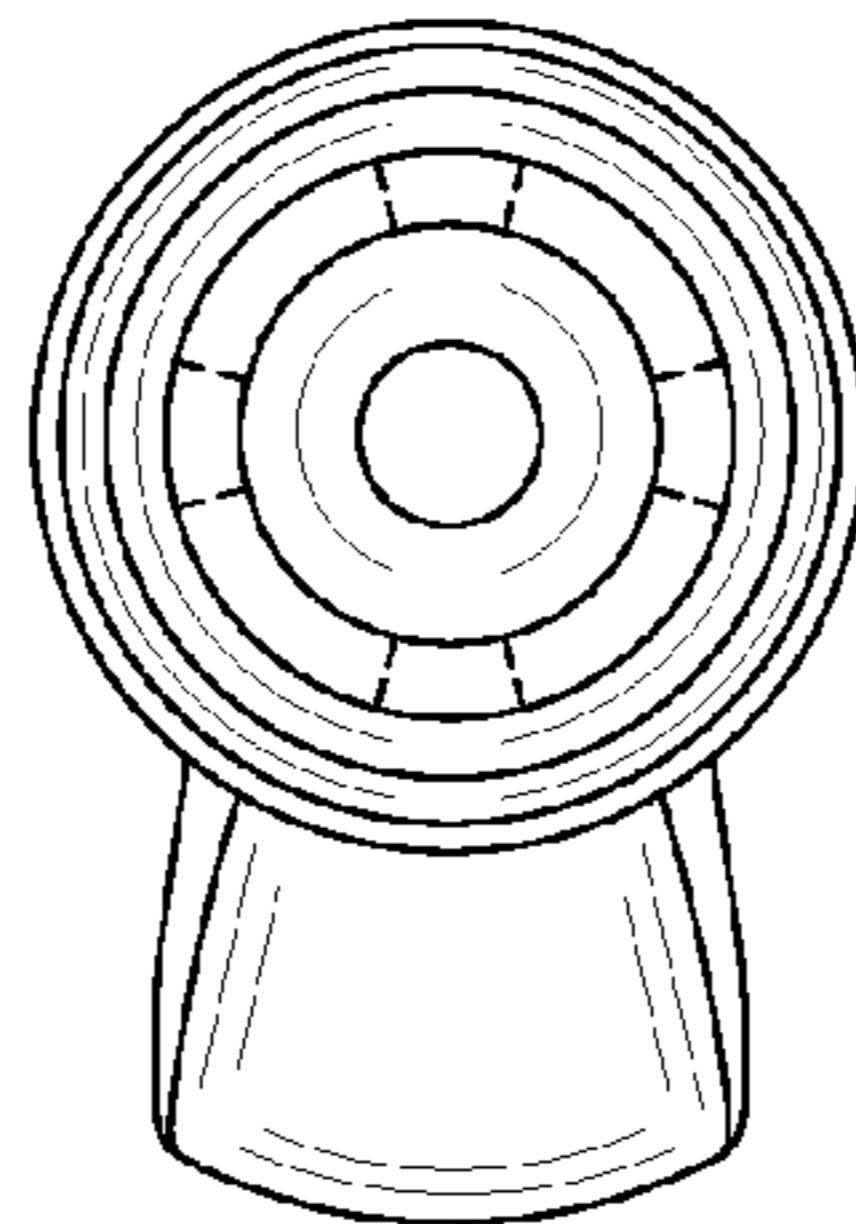


Fig. 3.

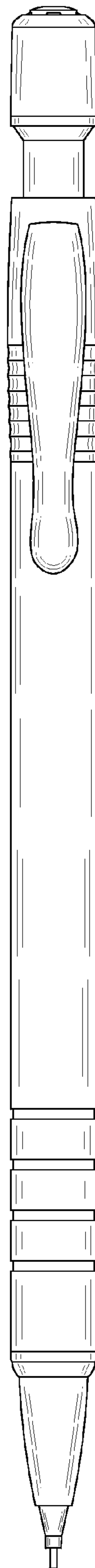


Fig. 4.

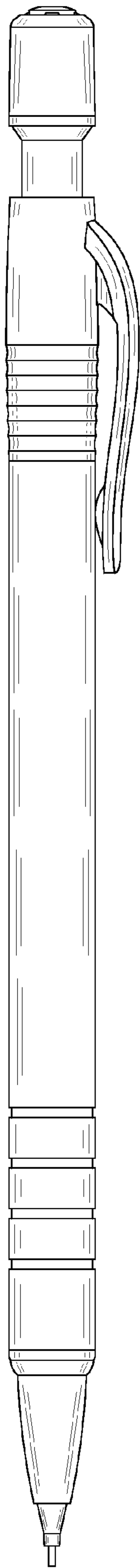


Fig. 5.

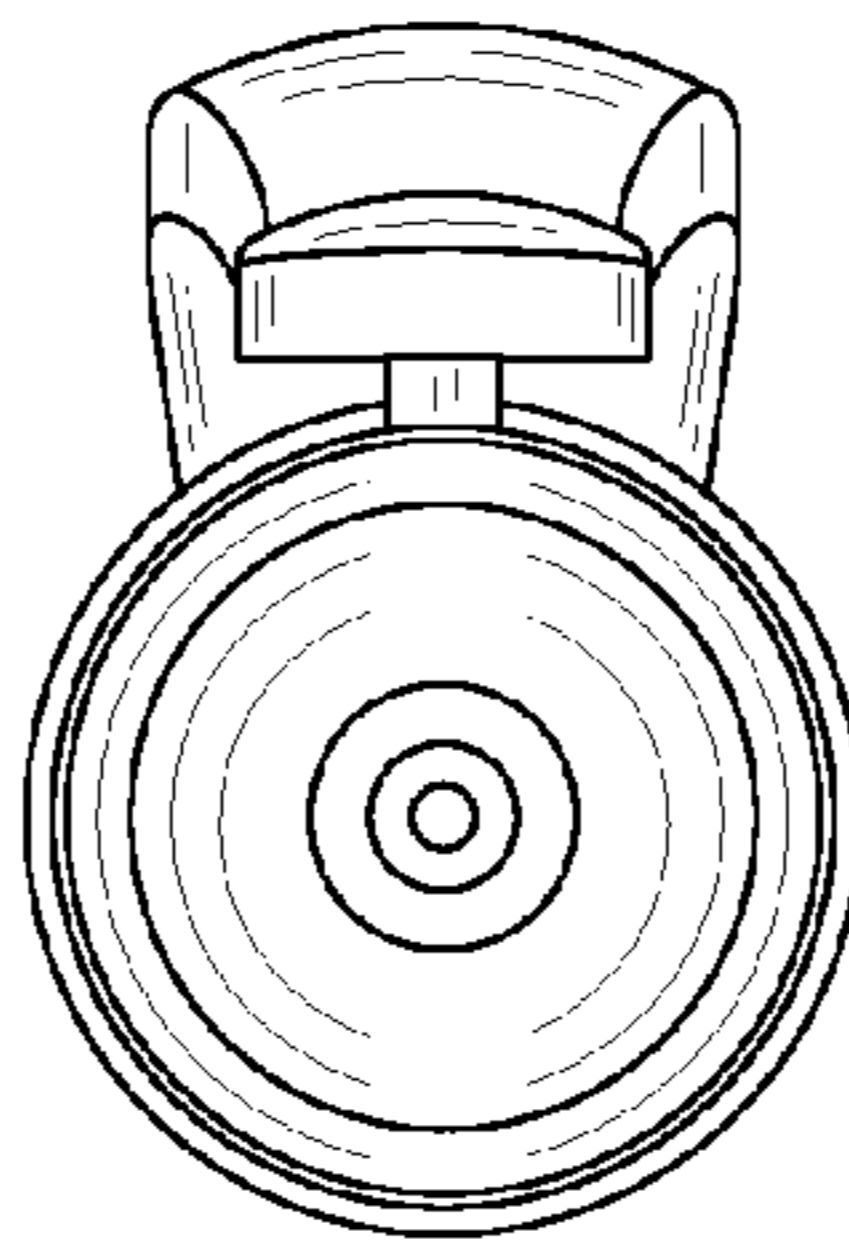


Fig. 6.

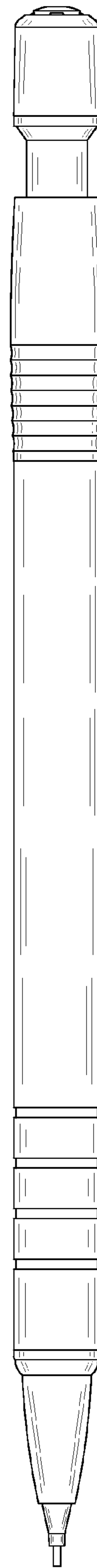


Fig. 7.