



US00D628635S

(12) **United States Design Patent**  
**Li**

(10) **Patent No.:** **US D628,635 S**  
(45) **Date of Patent:** **\*\* Dec. 7, 2010**

(54) **PEN**  
(75) Inventor: **Bin Li**, Ningbo (CN)  
(73) Assignee: **Beifa Group Co., Ltd.**, Ningbo (CN)  
(\*\*) Term: **14 Years**  
(21) Appl. No.: **29/366,155**  
(22) Filed: **Jul. 20, 2010**  
(30) **Foreign Application Priority Data**  
Jan. 20, 2010 (CN) ..... 2010 3 0003788  
(51) **LOC (9) Cl.** ..... **19-06**  
(52) **U.S. Cl.** ..... **D19/47**  
(58) **Field of Classification Search** ..... D14/411,  
D14/431; D19/35, 36, 41, 42, 43, 44, 45,  
D19/46, 47, 48, 49, 50, 51, 54, 55, 56; 24/11 F,  
24/11 P, 11 R; 401/6, 52, 99, 100, 104, 105,  
401/106, 107, 108, 109, 192, 195, 243, 244,  
401/245, 246, 247  
See application file for complete search history.

(56) **References Cited**  
U.S. PATENT DOCUMENTS  
D18,482 S \* 7/1888 Shattuck ..... D19/54  
D83,668 S 3/1931 Sherbinin  
D155,532 S 10/1949 Morrison  
D182,162 S 2/1958 Carreiro  
3,071,112 A 1/1963 Lovejoy  
3,288,114 A 11/1966 Ritter  
D209,550 S 12/1967 Arnone  
3,608,154 A \* 9/1971 Ira ..... 24/11 F  
D312,658 S \* 12/1990 Sumino ..... D19/36  
D313,246 S \* 12/1990 Porsche ..... D19/51  
D318,879 S \* 8/1991 Porsche ..... D19/51  
D319,845 S 9/1991 Grottsch  
D323,186 S 1/1992 Clark  
D329,823 S \* 9/1992 Francisco ..... D10/104  
D339,822 S 9/1993 Möck

D343,196 S \* 1/1994 Liguori ..... D19/57  
D350,771 S 9/1994 Kettmeir

(Continued)

**FOREIGN PATENT DOCUMENTS**

CN 300961407 7/2009

(Continued)

**OTHER PUBLICATIONS**

Li, B., "Pen," U.S. Appl. No. 29/353,761, filed Jan. 13, 2010.

(Continued)

*Primary Examiner*—Elizabeth A Albert  
*Assistant Examiner*—Karen E Eldridge Powers  
(74) *Attorney, Agent, or Firm*—Christensen O'Connor  
Johnson Kindness PLLC

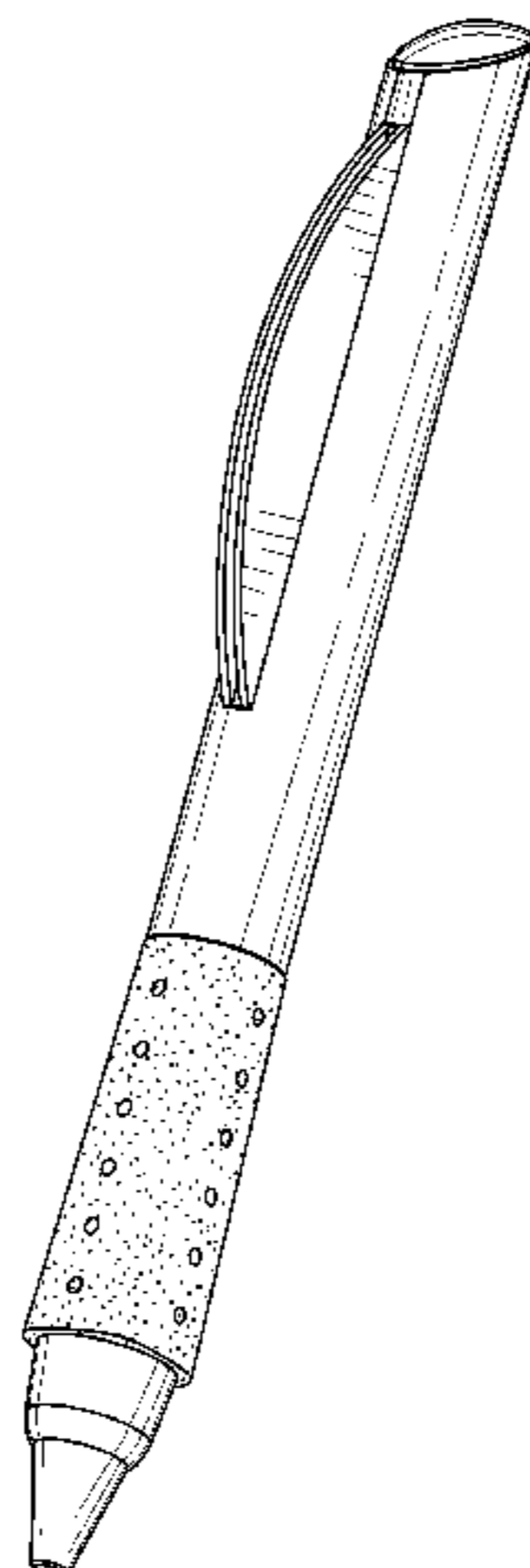
(57) **CLAIM**

The ornamental design for a pen, as shown and described.

**DESCRIPTION**

FIG. 1 is a lower front right perspective view of a pen showing my new design;  
FIG. 2 is a right side elevation view thereof, with the left side elevation view being a minor image of the right side elevation view;  
FIG. 3 is a front elevation view thereof;  
FIG. 4 is a rear elevation view thereof;  
FIG. 5 is an enlarged top plan view thereof; and,  
FIG. 6 is an enlarged bottom plan view thereof.  
The stippling in the drawings represents a texture on the surface of the pen.

**1 Claim, 3 Drawing Sheets**



# US D628,635 S

Page 2

## U.S. PATENT DOCUMENTS

D357,277 S 4/1995 Cappe de Baillon  
D359,757 S 6/1995 Inami  
D369,184 S \* 4/1996 Collins ..... D19/51  
D388,825 S 1/1998 Kouda  
D395,674 S 6/1998 Boix Gacia  
D396,058 S \* 7/1998 Schmidt et al. .... D19/51  
D400,580 S \* 11/1998 Schmidt et al. .... D19/48  
D417,698 S \* 12/1999 Tsuchida ..... D19/45  
D418,163 S 12/1999 Rosen  
D418,541 S 1/2000 Mayer  
D421,625 S 3/2000 Oka  
D425,559 S 5/2000 Beneyto  
6,065,889 A \* 5/2000 Maruyama et al. .... 401/65  
D430,209 S \* 8/2000 Rommel ..... D19/50  
D433,447 S 11/2000 Rosenbaum  
D433,704 S 11/2000 Kouda  
D435,065 S 12/2000 Nagel  
D436,126 S 1/2001 Rosenbaum  
D438,903 S 3/2001 Rosenbaum  
D441,018 S 4/2001 Droege  
D443,896 S 6/2001 Briggl  
D444,499 S 7/2001 Nakazawa  
D450,769 S 11/2001 Nishida  
D451,547 S 12/2001 Nishida  
D452,526 S \* 12/2001 Nishida ..... D19/43  
D452,708 S \* 1/2002 Schmidt et al. .... D19/49  
D452,878 S \* 1/2002 Candelora et al. .... D19/43  
D454,589 S 3/2002 Beneyto  
D456,845 S 5/2002 Rommel  
D461,501 S 8/2002 Nishida  
D463,821 S 10/2002 Nishida  
D470,885 S \* 2/2003 Tahara ..... D19/36  
D474,241 S 5/2003 Hasegawa  
D475,406 S 6/2003 Cetera  
D476,364 S 6/2003 Bain  
D478,932 S 8/2003 Moon  
D484,187 S 12/2003 Moon  
D484,912 S 1/2004 Briggl  
D485,574 S 1/2004 Keil  
D485,575 S \* 1/2004 Lovell ..... D19/51  
D489,088 S 4/2004 Arita  
D495,001 S 8/2004 Anand  
D495,002 S 8/2004 Sung  
D497,643 S 10/2004 Nishida  
D498,260 S 11/2004 Burden  
D500,337 S \* 12/2004 Tsuchida ..... D19/36  
D501,882 S 2/2005 Hamilton, Jr.  
6,921,181 B2 \* 7/2005 Yen ..... 362/206  
D508,083 S 8/2005 Cetera  
D508,264 S 8/2005 Losel  
D508,714 S \* 8/2005 Koch ..... D19/36  
D509,537 S \* 9/2005 Bianchi et al. .... D19/43

D510,104 S 9/2005 Qiu  
D533,592 S 12/2006 Cheng  
D539,348 S 3/2007 Hamilton  
D541,344 S 4/2007 Hamilton  
D541,862 S 5/2007 Koch  
D542,349 S 5/2007 Anand  
D545,367 S \* 6/2007 Ternovits ..... D19/51  
D548,788 S 8/2007 Anand  
D548,789 S 8/2007 Ternovits  
D551,710 S 9/2007 Tsuchida  
D555,729 S 11/2007 Lin  
D558,269 S 12/2007 Takanashi  
D559,318 S 1/2008 Qiu  
D562,389 S 2/2008 Ikeda  
D562,395 S 2/2008 Qiu  
D562,397 S 2/2008 Qiu  
D562,398 S 2/2008 Qiu  
D562,891 S 2/2008 Qiu  
D566,764 S 4/2008 Kent  
D567,855 S 4/2008 Rolion  
D567,856 S 4/2008 Loesel  
D572,755 S \* 7/2008 Brigham et al. .... D19/44  
D575,339 S 8/2008 Daida  
D575,824 S \* 8/2008 Koch ..... D19/51  
D576,211 S 9/2008 Qiu  
D577,067 S 9/2008 Koch  
D577,069 S 9/2008 Bhavnani  
D581,460 S 11/2008 Zhao  
D583,865 S \* 12/2008 Kwok ..... D19/49  
D588,638 S 3/2009 Busri  
D591,350 S \* 4/2009 Beyer ..... D19/50  
D591,793 S 5/2009 Booker  
D592,245 S 5/2009 Yu  
D593,604 S 6/2009 Yu  
D595,351 S \* 6/2009 Yu et al. .... D19/43  
D595,772 S 7/2009 Zhang  
D598,953 S 8/2009 Yu  
D601,190 S \* 9/2009 Liu ..... D19/36  
D601,200 S 9/2009 Zhang  
D605,701 S 12/2009 Zhang  
D606,590 S \* 12/2009 Daida ..... D19/57  
D607,933 S 1/2010 Zhang

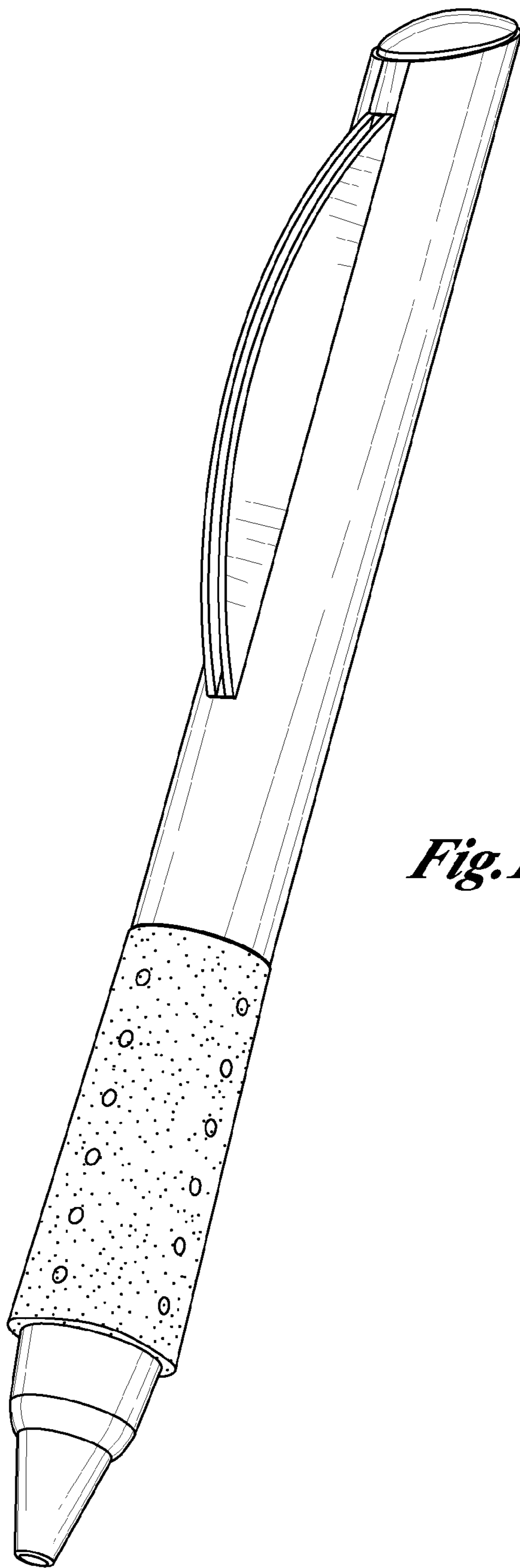
## FOREIGN PATENT DOCUMENTS

DE	DM/068901	2/2007
EM	000665419-0017	3/2007
EM	001065585-0003	2/2009

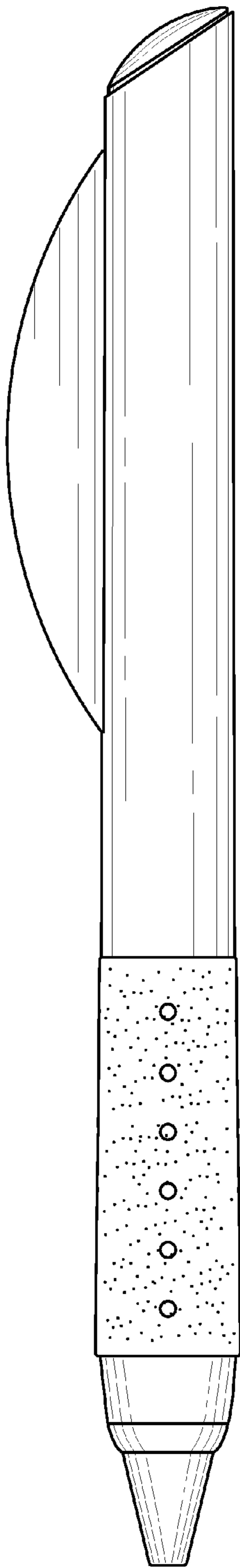
## OTHER PUBLICATIONS

Wang, T., and W. Lang, "Pen," U.S. Appl. No. 29/365,896, filed Jul. 16, 2010.

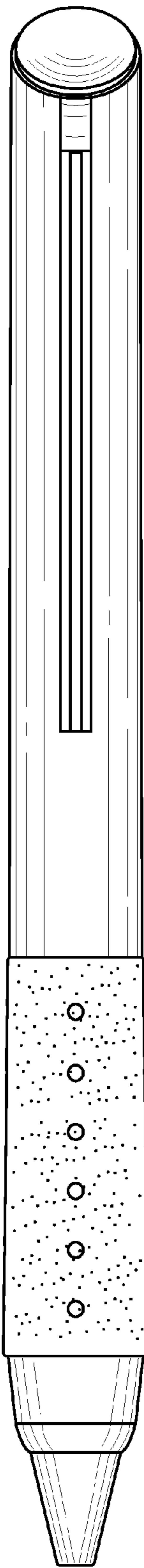
\* cited by examiner



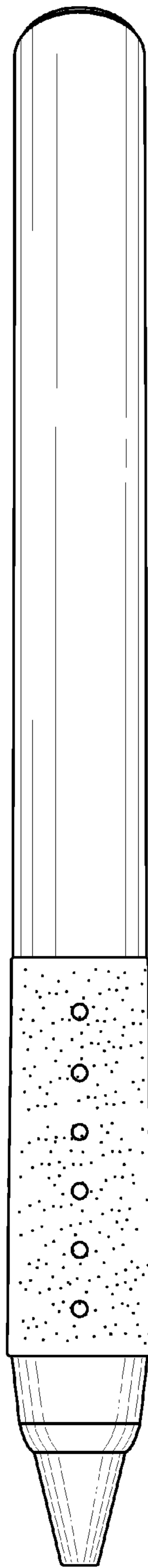
*Fig. 1.*



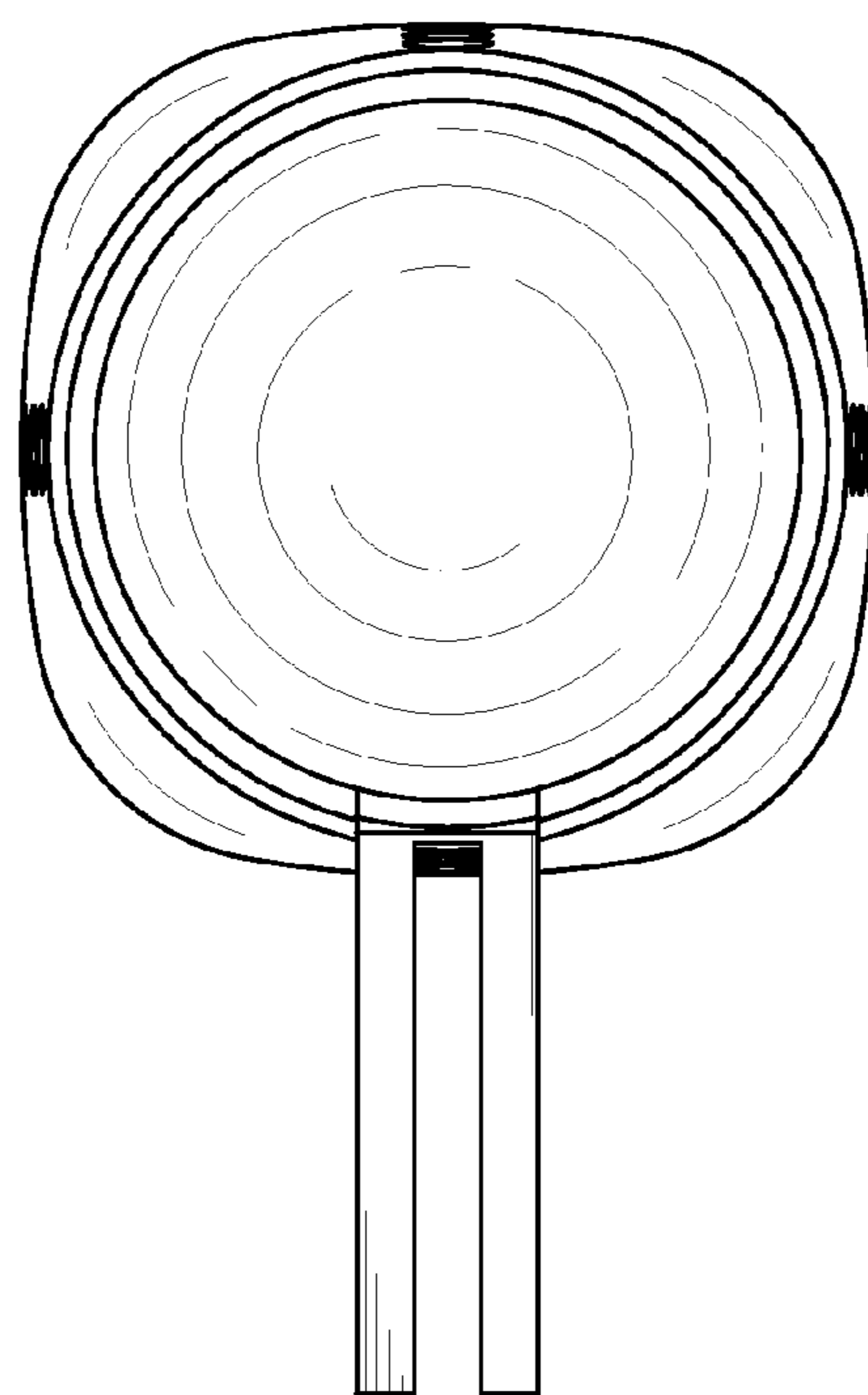
*Fig. 2.*



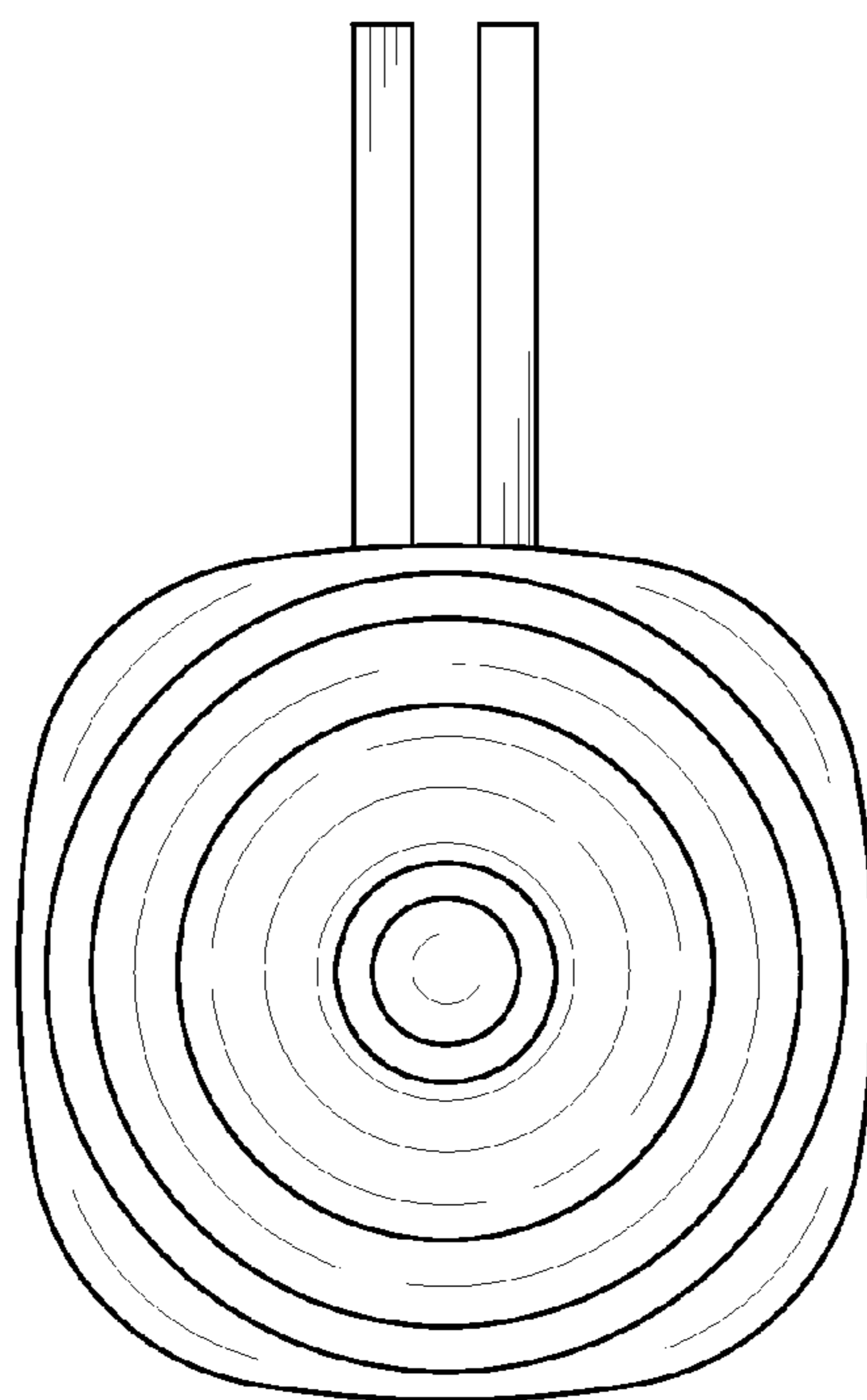
*Fig. 3.*



*Fig. 4.*



*Fig. 5.*



*Fig. 6.*

UNITED STATES PATENT AND TRADEMARK OFFICE  
**CERTIFICATE OF CORRECTION**

PATENT NO. : D628,635 S  
APPLICATION NO. : 29/366155  
DATED : December 7, 2010  
INVENTOR(S) : B. Li

Page 1 of 1

It is certified that error appears in the above-identified patent and that said Letters Patent is hereby corrected as shown below:

<u>COLUMN</u>	<u>LINE</u>	<u>ERROR</u>
Pg. 1, col. 2	20	“being a minor image” should read --being a mirror image--

Signed and Sealed this  
Fifth Day of April, 2011



David J. Kappos  
*Director of the United States Patent and Trademark Office*