



US00D628634S

(12) **United States Design Patent**
Li

(10) **Patent No.:** **US D628,634 S**
(45) **Date of Patent:** **** Dec. 7, 2010**

(54) **PEN**
(75) Inventor: **Bin Li, Ningbo (CN)**
(73) Assignee: **Beifa Group Co., Ltd., Ningbo (CN)**
(**) Term: **14 Years**
(21) Appl. No.: **29/353,761**
(22) Filed: **Jan. 13, 2010**
(30) **Foreign Application Priority Data**
Jul. 14, 2009 (CN) 2009 3 0195215

D396,058 S * 7/1998 Schmidt et al. D19/51
D400,580 S * 11/1998 Schmidt et al. D19/48
D417,698 S * 12/1999 Tsuchida D19/45
D418,163 S 12/1999 Rosen
D418,541 S 1/2000 Mayer
D421,625 S 3/2000 Oka
D430,209 S 8/2000 Rommel
D433,447 S 11/2000 Rosenbaum
D433,704 S 11/2000 Kouda
D435,065 S 12/2000 Nagel
D438,903 S 3/2001 Rosenbaum
D441,018 S 4/2001 Droege

(51) **LOC (9) Cl.** **19-06**
(52) **U.S. Cl.** **D19/47**
(58) **Field of Classification Search** D14/411,
D14/431; D19/35, 36, 41, 42, 43, 44, 45,
D19/46, 47, 48, 49, 50, 51, 54, 55, 56; 24/11 F,
24/11 P, 11 R; 401/6, 52, 99, 100, 104, 105,
401/106, 107, 108, 109, 192, 195, 243, 244,
401/245, 246, 247
See application file for complete search history.

(Continued)

Primary Examiner—Elizabeth A Albert
Assistant Examiner—Karen E Eldridge Powers
(74) *Attorney, Agent, or Firm*—Christensen O'Connor
Johnson Kindness PLLC

(57) **CLAIM**

The ornamental design for a pen, as shown and described.

(56) **References Cited**

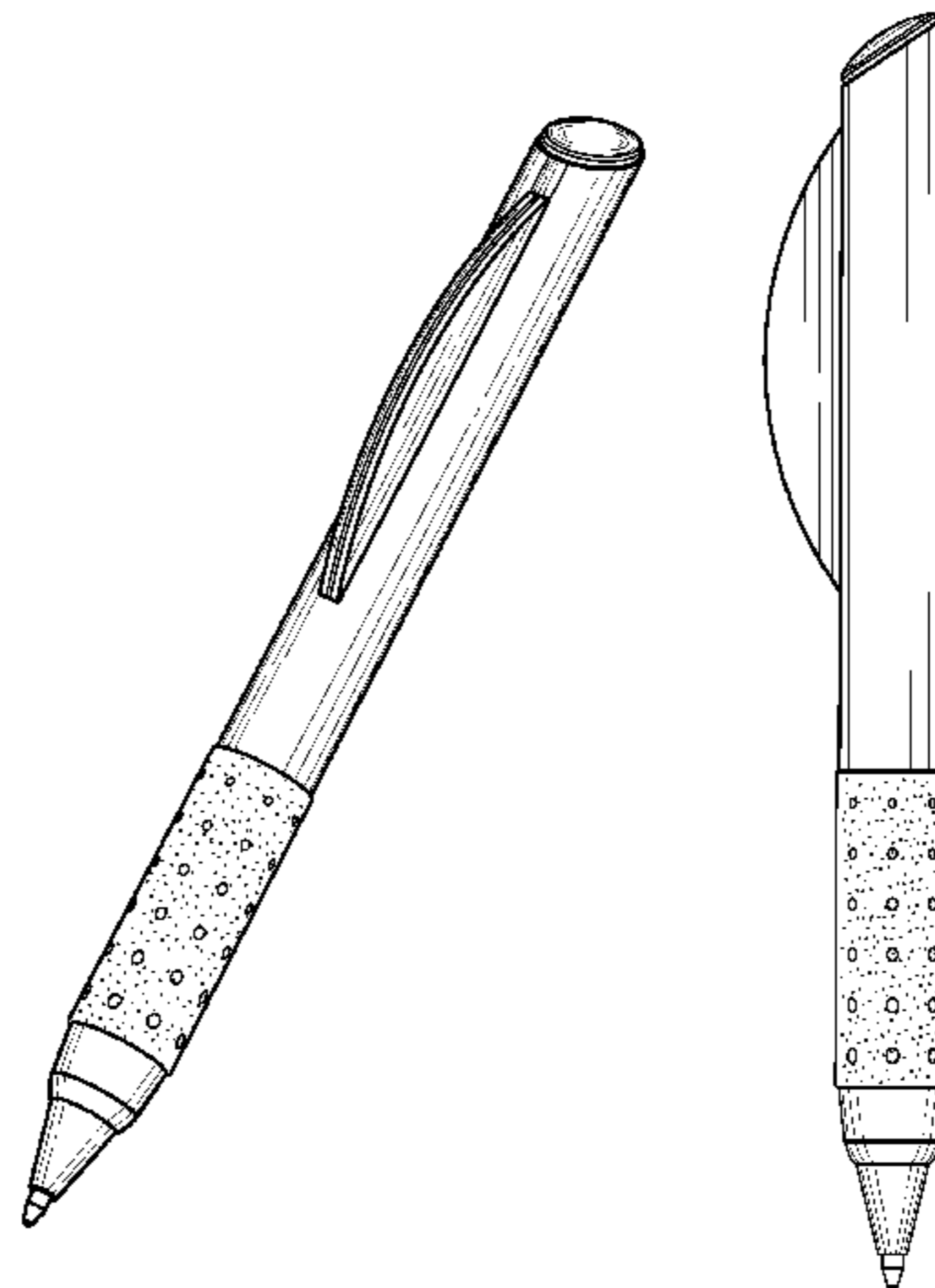
U.S. PATENT DOCUMENTS

D18,482 S * 7/1888 Shattuck D19/54
D083,668 S 3/1931 de Sherbinin
2,264,194 A * 11/1941 Wuestman 40/334
D155,532 S 10/1949 Morrison
D182,162 S 2/1958 Carreiro
D209,550 S 12/1967 Amone
D312,658 S * 12/1990 Sumino D19/36
D319,845 S 9/1991 Grotsch
D323,186 S 1/1992 Clark
D329,823 S * 9/1992 Francisco D10/104
D339,822 S 9/1993 Mock
D343,196 S * 1/1994 Liguori D19/57
D350,771 S * 9/1994 Kettmeir D19/51
D359,757 S 6/1995 Inami
D369,184 S * 4/1996 Collins D19/51
D383,962 S * 9/1997 Daley et al. D8/98
5,673,996 A * 10/1997 Ducker 362/118
D388,825 S 1/1998 Kouda

DESCRIPTION

FIG. 1 is an upper front right perspective view of a pen showing my new design;
FIG. 2 is a right side elevation view thereof, with the left side elevation view being a mirror image of the right side elevation view;
FIG. 3 is a front elevation view thereof;
FIG. 4 is a rear elevation view thereof;
FIG. 5 is an enlarged top plan view thereof; and,
FIG. 6 is an enlarged bottom plan view thereof.
The stippling in the drawings represents a texture on the surface of the pen.

1 Claim, 3 Drawing Sheets



US D628,634 S

Page 2

U.S. PATENT DOCUMENTS

D443,896 S	6/2001	Keil		D541,862 S	5/2007	Koch	
D444,499 S	7/2001	Nakazawa		D542,349 S	5/2007	Anand	
D450,769 S	11/2001	Nishida		D545,367 S	6/2007	Ternovits	
D451,547 S	12/2001	Nishida		D548,788 S	8/2007	Anand	
D452,526 S	12/2001	Nishida		D548,789 S *	8/2007	Ternovits D19/51
D452,708 S *	1/2002	Schmidt et al. D19/49	D551,710 S	9/2007	Tsuchida	
D452,878 S	1/2002	Candelora		D555,729 S	11/2007	Lin	
D454,589 S	3/2002	Pellissa Beneyto		D558,269 S *	12/2007	Takanashi D19/49
D461,501 S	8/2002	Nishida		D559,318 S	1/2008	Qiu	
D463,821 S	10/2002	Nishida		D562,389 S	2/2008	Ikeda	
D474,241 S	5/2003	Hasegawa		D562,395 S *	2/2008	Qiu et al. D19/51
D475,406 S	6/2003	Cetera		D562,397 S	2/2008	Qiu	
D476,364 S	6/2003	Bain		D562,398 S	2/2008	Qiu	
D478,932 S	8/2003	Moon		D562,891 S	2/2008	Qiu	
D484,187 S	12/2003	Moon		D566,764 S	4/2008	Kent	
D484,912 S	1/2004	Briggl		D567,856 S	4/2008	Loesel	
D485,574 S	1/2004	Keil		D575,339 S	8/2008	Daida	
D485,575 S *	1/2004	Lovell D19/51	D575,824 S *	8/2008	Koch D19/51
D489,088 S *	4/2004	Arita et al. D19/43	D577,067 S	9/2008	Koch	
D495,001 S	8/2004	Anand		D580,493 S *	11/2008	Fei D19/49
D495,002 S	8/2004	Sung		D581,460 S	11/2008	Zhao	
D497,643 S	10/2004	Nishida		D583,411 S *	12/2008	Zhao D19/44
D498,260 S	11/2004	Burden		D588,638 S *	3/2009	Busri D19/36
D500,337 S	12/2004	Tsuchida		D591,350 S	4/2009	Beyer	
D501,882 S	2/2005	Hamilton, Jr.		D591,793 S	5/2009	Booker	
D508,083 S	8/2005	Cetera		D592,245 S	5/2009	Yu	
D508,264 S	8/2005	Losel		D593,604 S	6/2009	Yu	
D508,714 S	8/2005	Koch		D595,351 S *	6/2009	Yu et al. D19/43
D510,104 S	9/2005	Qiu		D598,953 S	8/2009	Yu	
D533,592 S	12/2006	Cheng		D601,190 S	9/2009	Liu	
D535,330 S *	1/2007	Hung D19/43	D606,590 S *	12/2009	Daida D19/57
D541,344 S	4/2007	Hamilton		2005/0007772 A1 *	1/2005	Yen 362/206

* cited by examiner

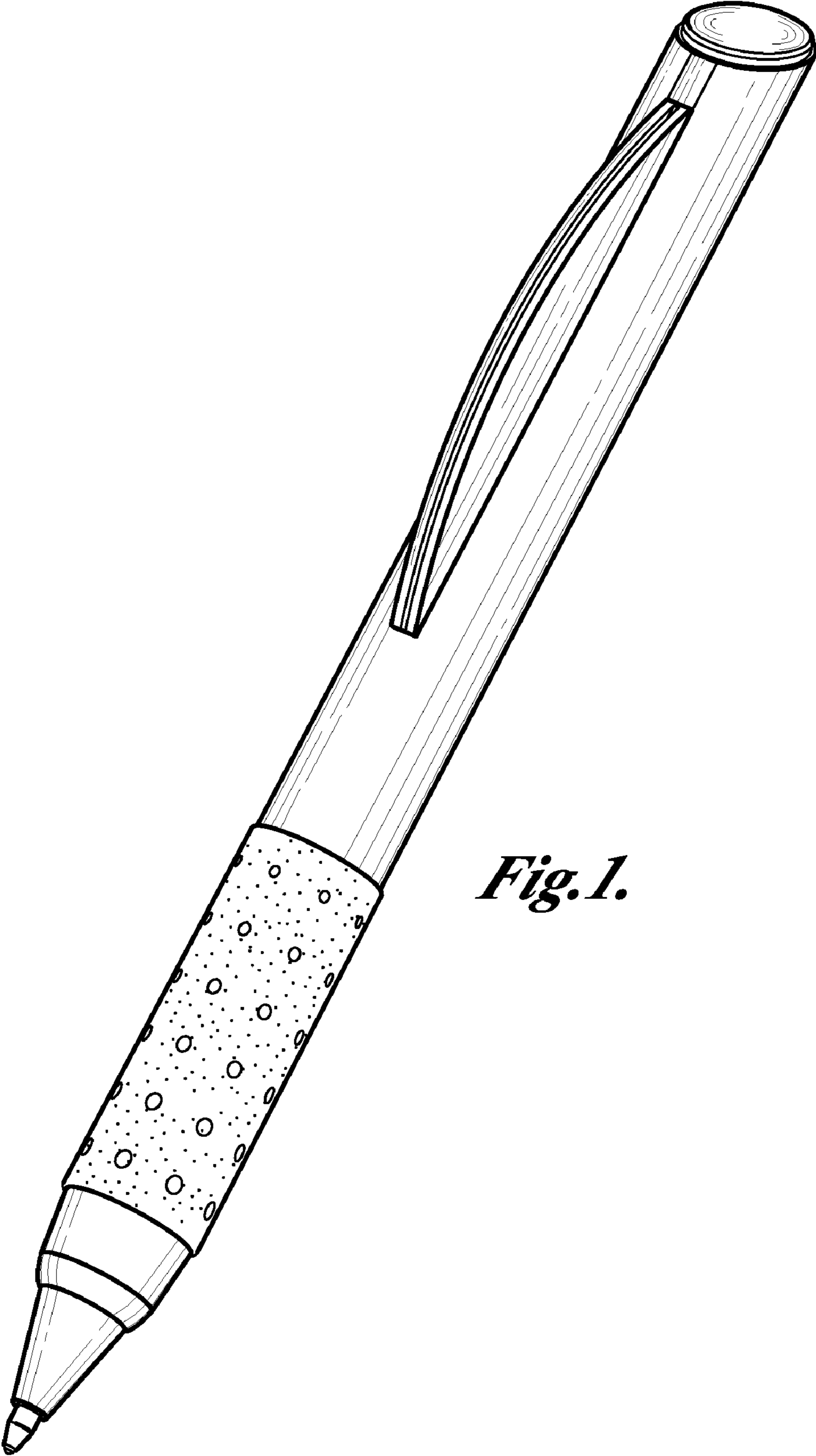


Fig. 1.

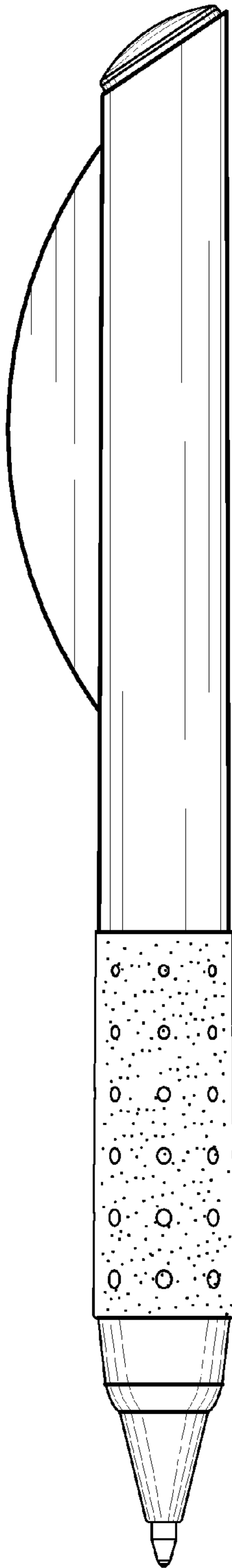


Fig. 2.

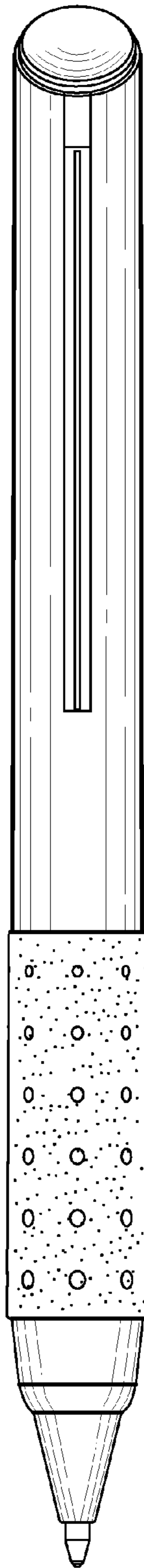


Fig. 3.

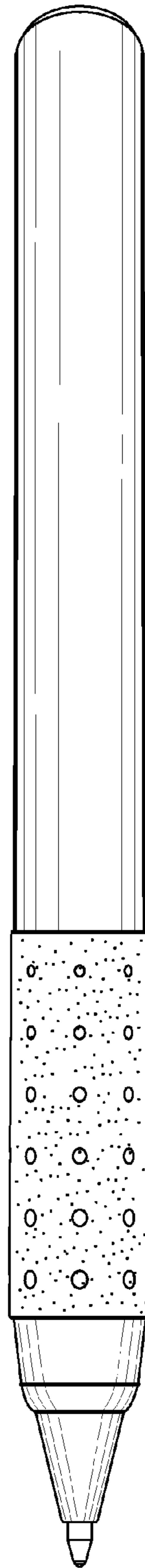


Fig. 4.

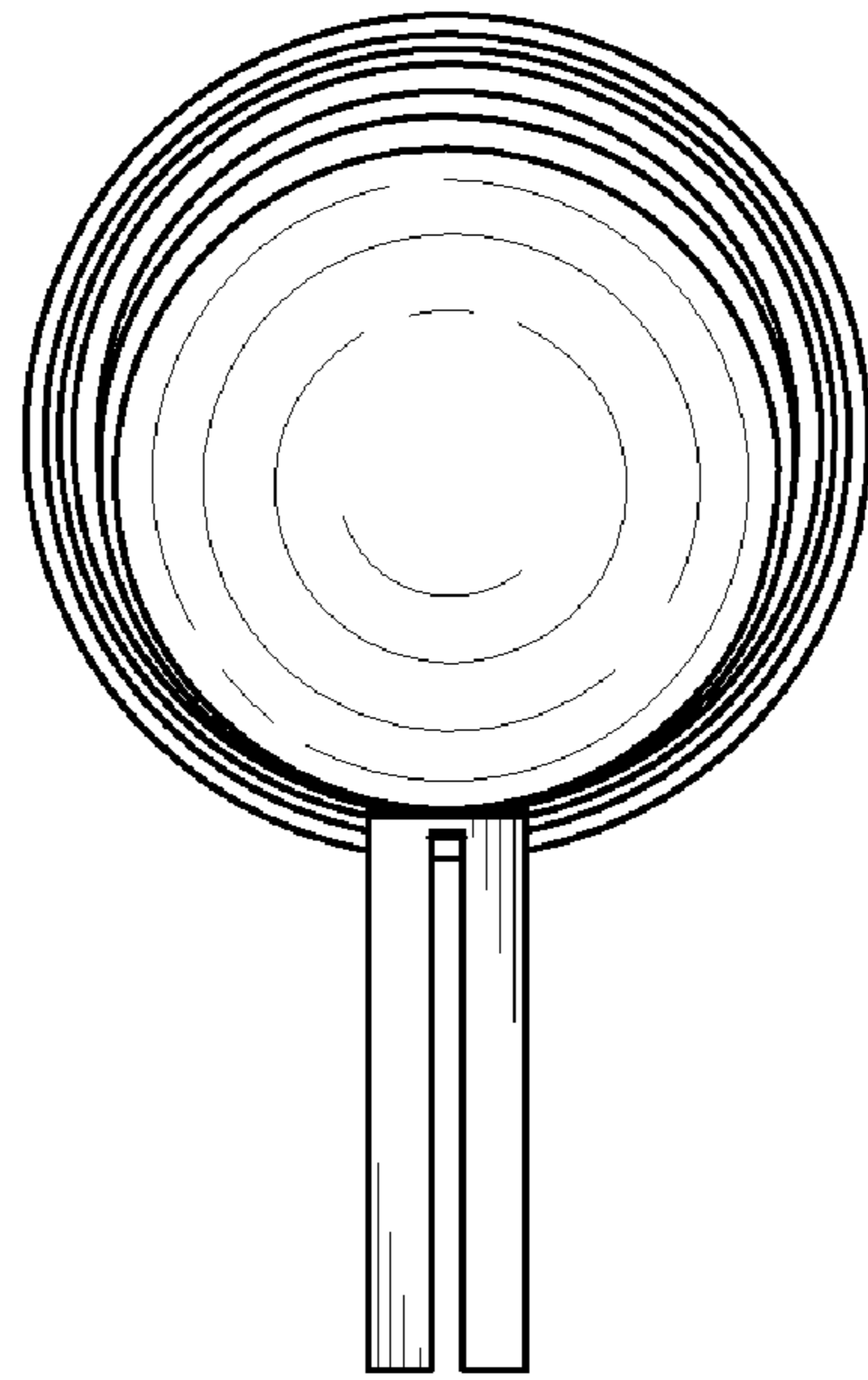


Fig. 5.

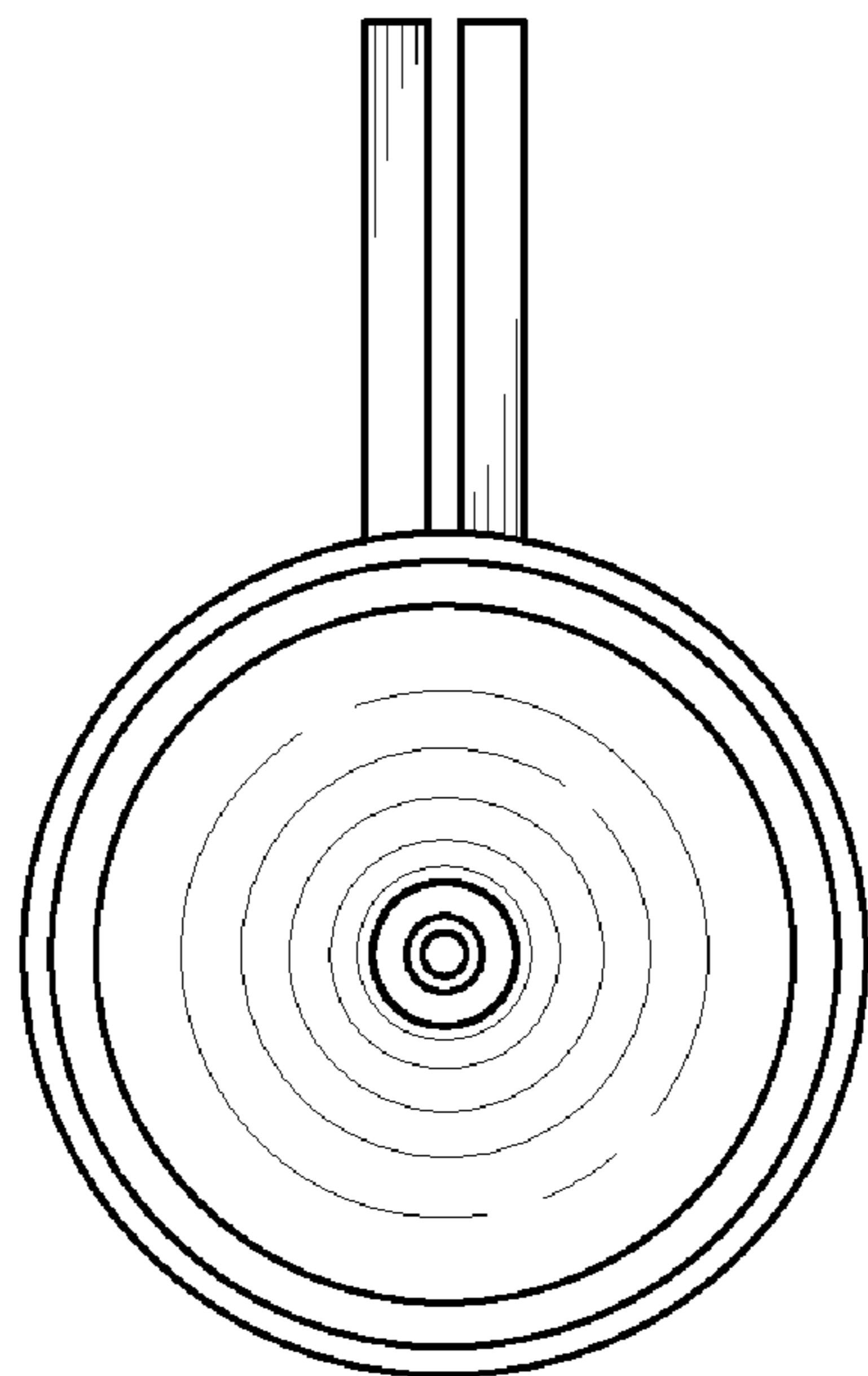


Fig. 6.