



US00D628629S

(12) **United States Design Patent**
Liu

(10) **Patent No.:** **US D628,629 S**
(45) **Date of Patent:** **** Dec. 7, 2010**

(54) **COMBINATION PEN AND FLASHLIGHT**

(75) Inventor: **Liang Liu**, Ningbo (CN)

(73) Assignee: **Beifa Group Co., Ltd.**, Ningbo (CN)

(**) Term: **14 Years**

(21) Appl. No.: **29/353,488**

(22) Filed: **Jan. 8, 2010**

(30) **Foreign Application Priority Data**

Jul. 8, 2009 (CN) 2009 3 0192656

(51) **LOC (9) Cl.** **19-06**

(52) **U.S. Cl.** **D19/36**

(58) **Field of Classification Search** D19/35,
D19/36, 41, 42, 43, 44, 45, 46, 47, 48, 49,
D19/50, 51, 54, 55, 56; 24/11 F, 11 P, 11 R;
D26/49; 362/118, 206; 401/6, 52, 99, 100,
401/104, 105, 106, 107, 108, 109, 192, 195,
401/243, 244, 245, 246, 247; 708/107

See application file for complete search history.

(56) **References Cited**

U.S. PATENT DOCUMENTS

1,311,899 A * 8/1919 Kaplan 362/191
D81,248 S 5/1930 Larsen
1,835,862 A * 12/1931 Gibson 24/11 F
1,863,061 A * 6/1932 Larsen 401/247
1,957,366 A * 5/1934 Stockman 401/195
D92,905 S * 7/1934 Hauton D19/48
D149,672 S * 5/1948 Phillips D26/49
D229,854 S * 1/1974 Bajusz D26/49
D280,737 S * 9/1985 Verhaegue D19/48
4,559,588 A * 12/1985 Engelson et al. 362/196
D306,354 S 2/1990 Konose
5,000,604 A * 3/1991 Isoda 401/202
5,070,438 A * 12/1991 Marshall 362/206
D327,911 S 7/1992 Poisson
D329,823 S * 9/1992 Francisco D10/104
D345,991 S * 4/1994 Tzong-Taur D19/36
D404,426 S 1/1999 Takanashi

D404,427 S 1/1999 Takanashi
D406,276 S * 3/1999 Alvarado et al. D19/36
6,129,473 A * 10/2000 Shu 401/195
D437,888 S 2/2001 Keil
D440,601 S 4/2001 Sasaki
D448,407 S 9/2001 Huang

(Continued)

OTHER PUBLICATIONS

Tan, J., "Pen," U.S. Appl. No. 29/353,095, filed Dec. 31, 2009.

Primary Examiner—Elizabeth A Albert

Assistant Examiner—Karen E Eldridge Powers

(74) *Attorney, Agent, or Firm*—Christensen O'Connor Johnson Kindness PLLC

(57) **CLAIM**

The ornamental design for a combination pen and flashlight, as shown and described.

DESCRIPTION

FIG. 1 is an upper front left perspective view of a combination pen and flashlight showing my new design;

FIG. 2 is a lower front left perspective view thereof;

FIG. 3 is a front elevation view thereof;

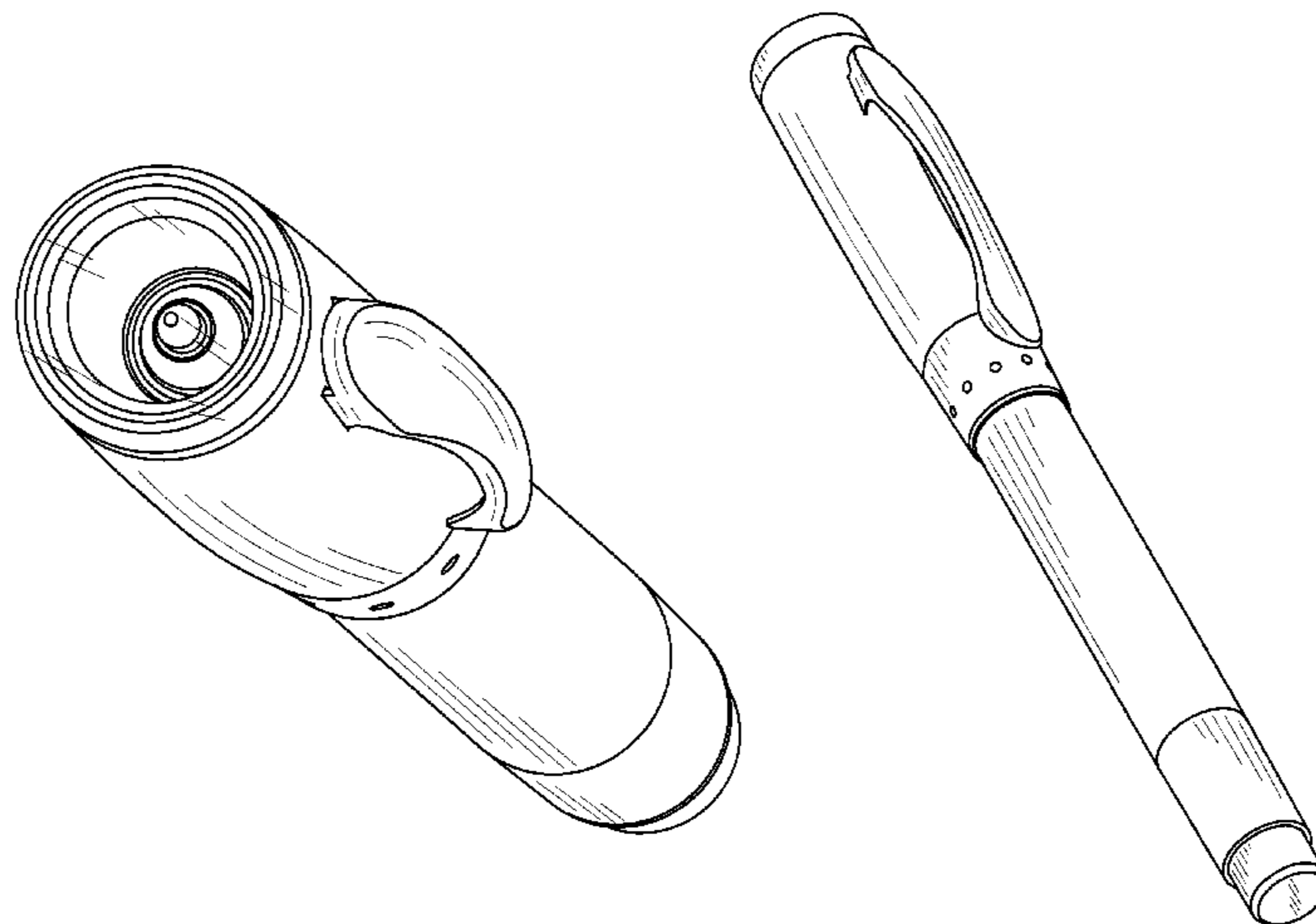
FIG. 4 is a left side elevation view thereof, with the right side elevation view being a mirror image of the left side elevation view;

FIG. 5 is a rear elevation view thereof;

FIG. 6 is an enlarged top plan view thereof; and,

FIG. 7 is an enlarged bottom plan view thereof.

1 Claim, 4 Drawing Sheets



US D628,629 S

Page 2

U.S. PATENT DOCUMENTS

D451,223 S *	11/2001	Parker	D26/49	D568,932 S	5/2008	Qiu	
D451,547 S *	12/2001	Nishida	D19/48	D577,065 S	9/2008	Qiu	
D467,970 S	12/2002	Pellissa Beneyto			D582,592 S *	12/2008	Opolka D26/49
6,523,969 B2 *	2/2003	Yang et al.	362/118	D592,245 S	5/2009	Yu	
D498,493 S *	11/2004	Togawa	D19/36	D601,627 S	10/2009	Liu	
D500,338 S	12/2004	Kommer			D602,086 S	10/2009	Liu	
D504,153 S *	4/2005	Yang	D19/43	D606,117 S *	12/2009	Liu D19/49
6,921,181 B2 *	7/2005	Yen	362/206	D607,934 S	1/2010	Liu	
6,994,446 B2 *	2/2006	Huang	362/118	D611,095 S	3/2010	Liu	
D527,481 S *	8/2006	Opolka	D26/49	D611,096 S	3/2010	Liu	
D542,348 S *	5/2007	Mori	D19/46	D611,097 S	3/2010	Liu	
D545,366 S	6/2007	Ternovits			D611,098 S *	3/2010	Collin D19/49
D547,375 S	7/2007	Gerules			D615,587 S *	5/2010	Wang D19/36
D563,007 S *	2/2008	Opolka	D26/49	2006/0029460 A1 *	2/2006	Russo 401/247

* cited by examiner

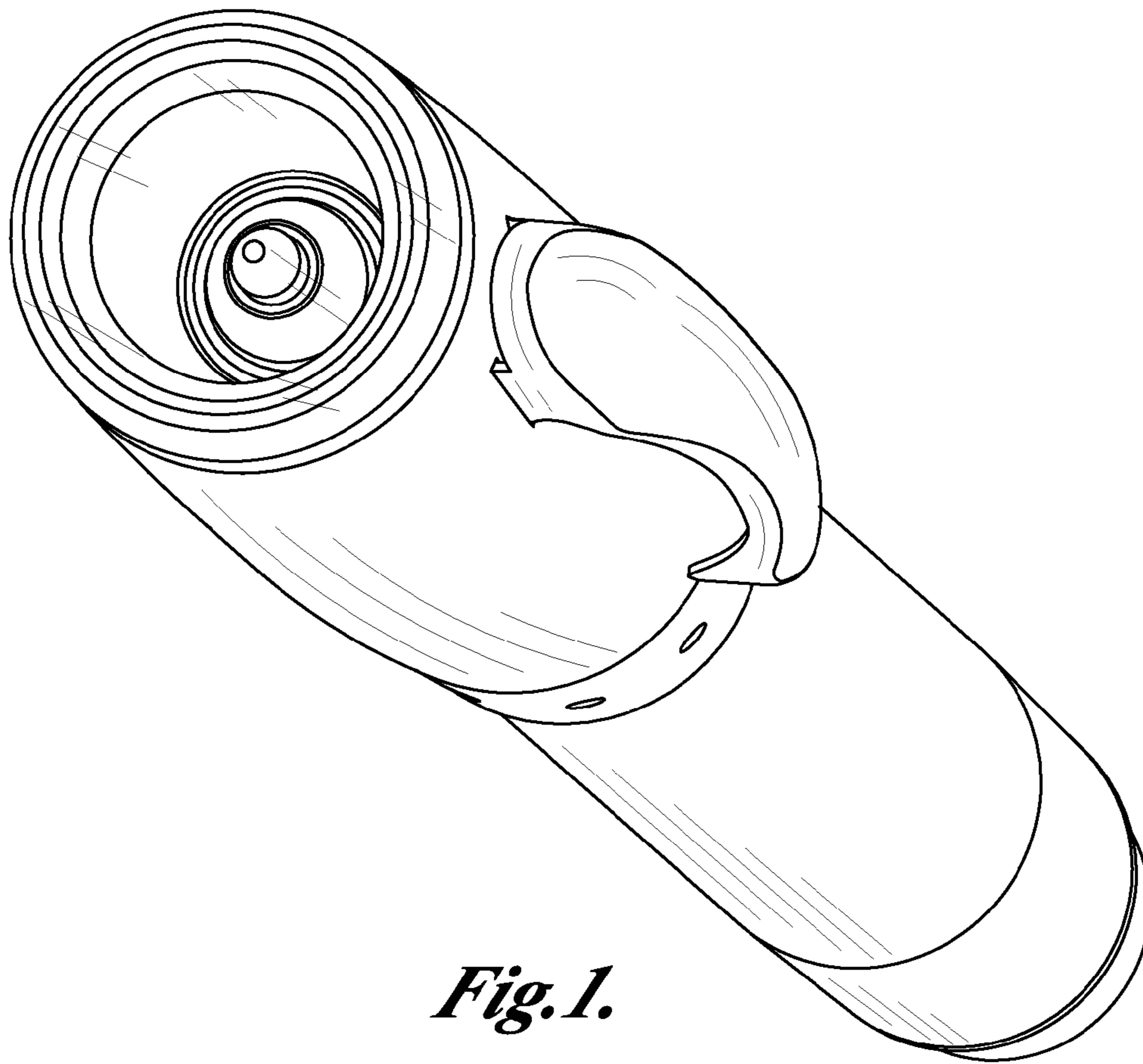


Fig. 1.

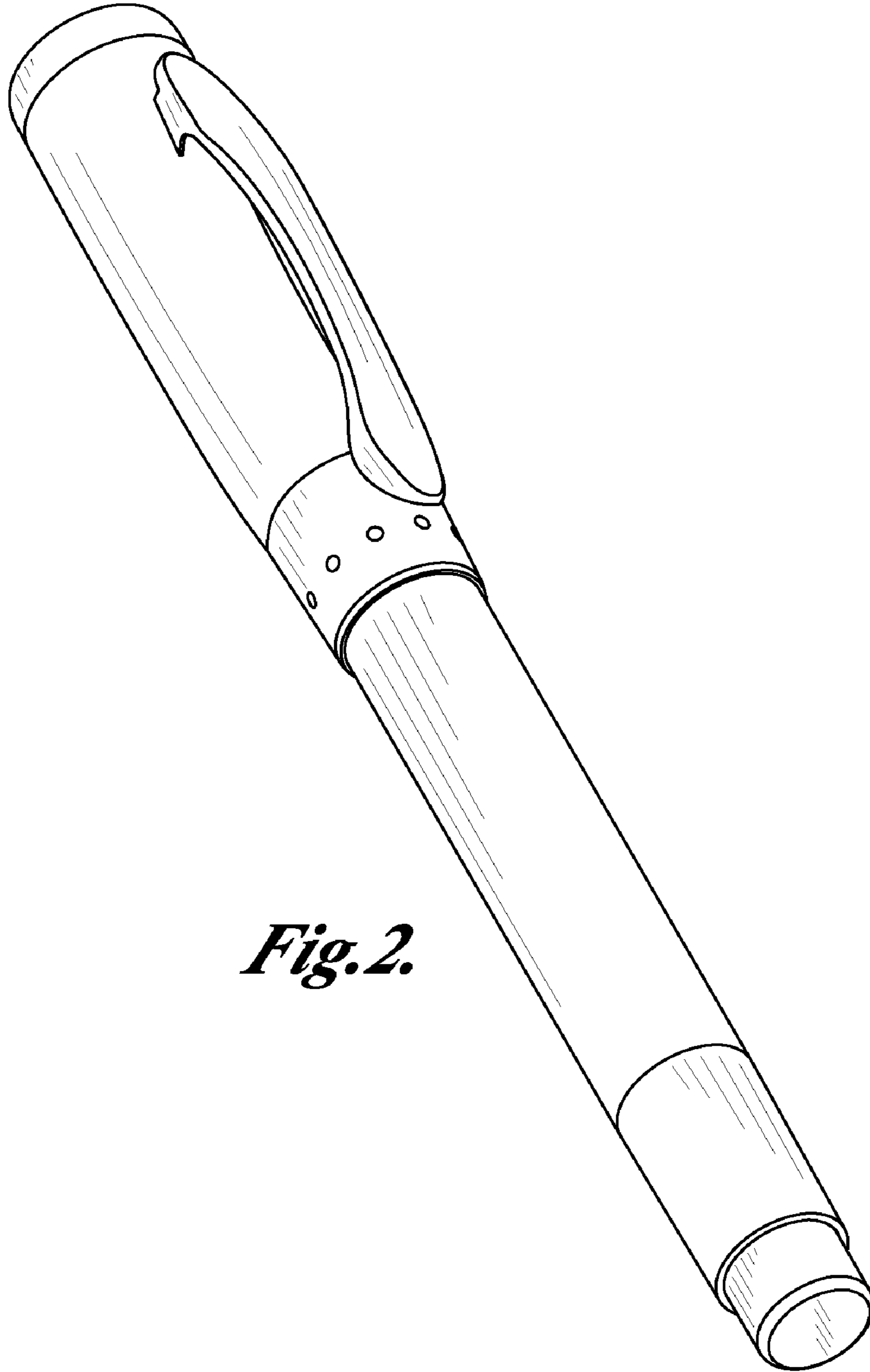


Fig. 2.

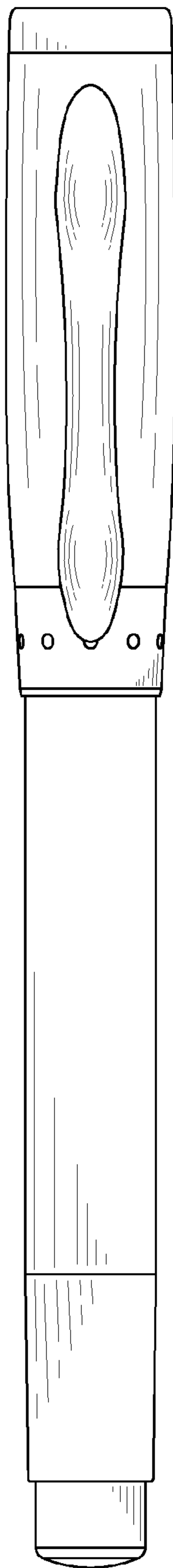


Fig. 3.

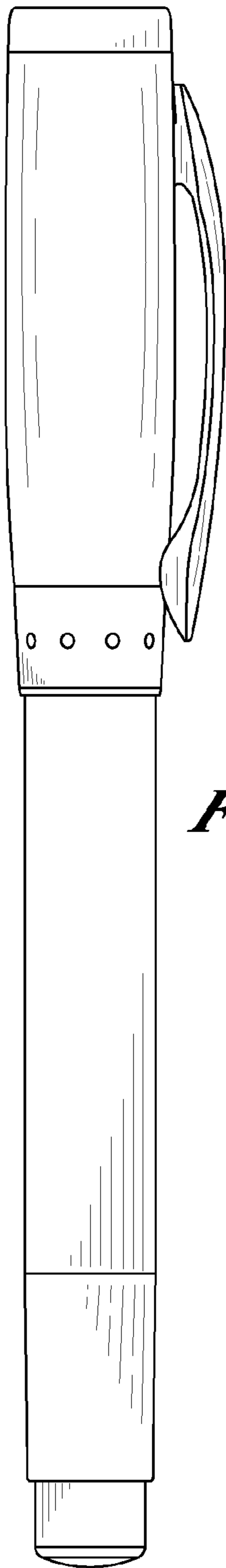


Fig. 4.

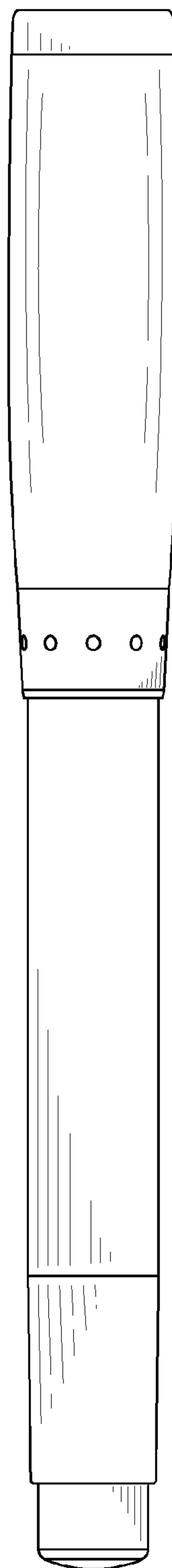


Fig. 5.

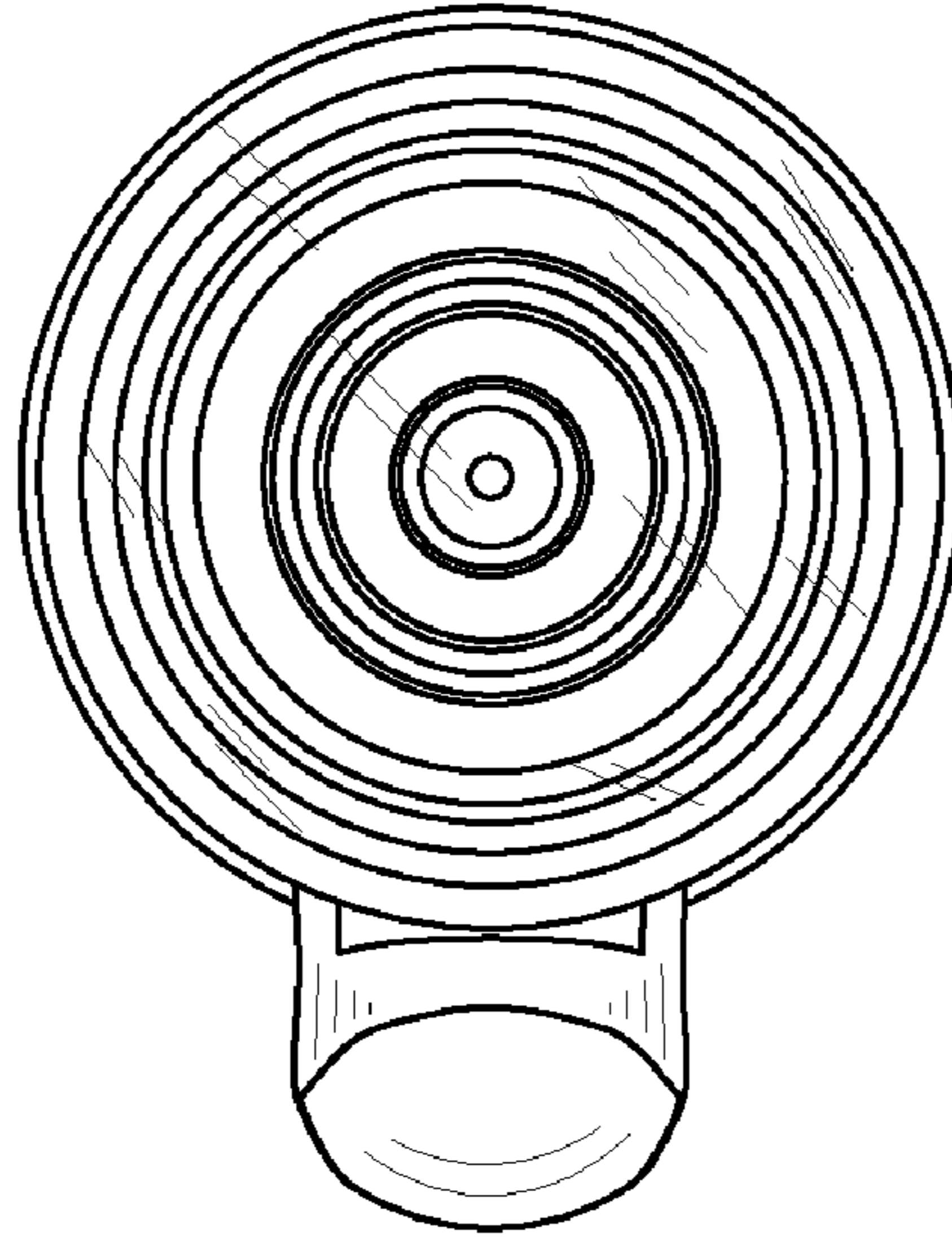


Fig. 6.

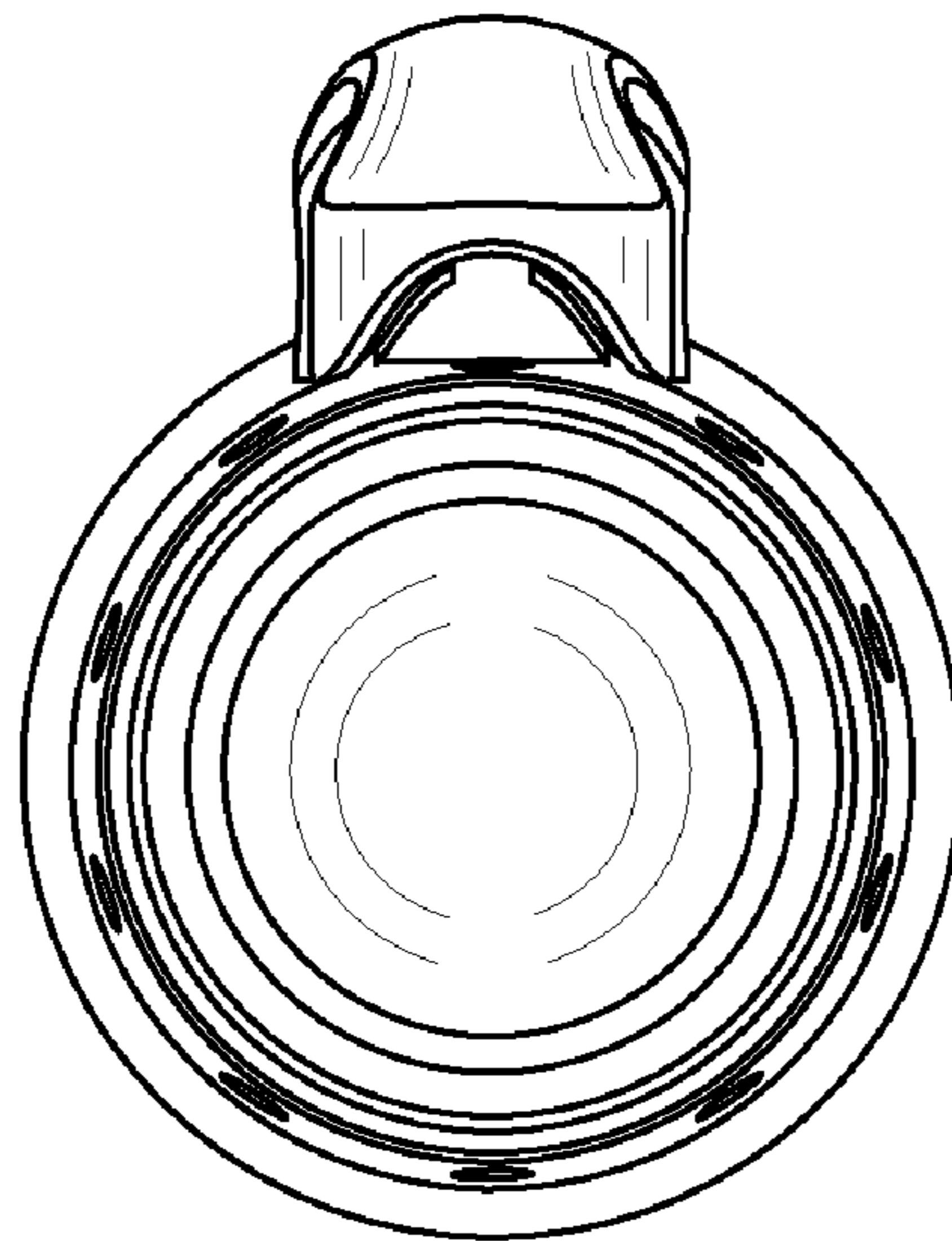


Fig. 7.