



US00D628621S

(12) **United States Design Patent**
Brown et al.

(10) **Patent No.:** **US D628,621 S**

(45) **Date of Patent:** **** *Dec. 7, 2010**

(54) **TOP EDGE FOR AN OFFICE MACHINE**

D558,265 S * 12/2007 Leman et al. D18/55
D561,251 S * 2/2008 Tjin Wong Joe et al. D18/55

(75) Inventors: **Donald A. Brown**, Honeoye Falls, NY (US); **John B. Gilbert**, Lake Oswego, OR (US); **Takenouchi Masaaki**, Yokohama (JP); **Hiroko Saito**, Yokohama (JP)

* cited by examiner

Primary Examiner—Cathy Anne MacCormac
(74) *Attorney, Agent, or Firm*—Tallam I. Nguti

(73) Assignee: **Xerox Corporation**, Norwalk, CT (US)

(57) **CLAIM**

(**) Term: **14 Years**

The ornamental design for a top edge for an office machine, as shown and described.

(21) Appl. No.: **29/327,336**

DESCRIPTION

(22) Filed: **Nov. 4, 2008**

FIG. 1 is a perspective view of a top edge for an office machine showing the ornamental design in accordance with the present invention;

(51) **LOC (9) Cl.** **14-02**

(52) **U.S. Cl.** **D18/50**

FIG. 2 is a front view thereof;

(58) **Field of Classification Search** D18/36–37,
D18/50, 54, 54.1, 55, 19; D14/420–425,
D14/463–470; 400/613, 613.1–613.4, 690.1–690.4,
400/691–694

FIG. 3 is a right side view thereof;

FIG. 4 is a rear view thereof;

FIG. 5 is a left side view thereof;

See application file for complete search history.

FIG. 6 is a top plan view thereof; and,

FIG. 7 is a bottom plan view thereof.

(56) **References Cited**

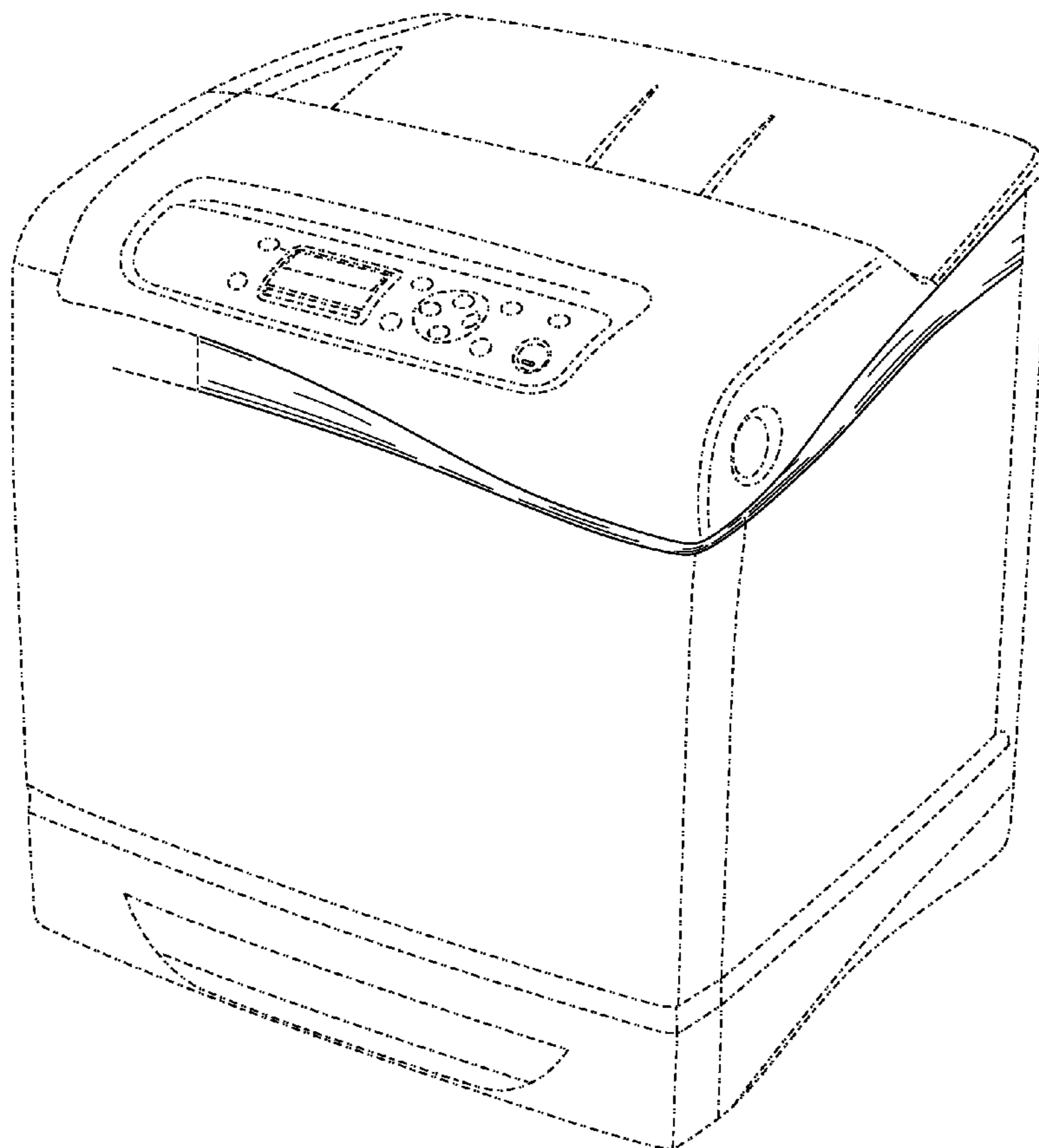
The broken lines shown are for illustrative purposes only and form no part of the claimed design.

U.S. PATENT DOCUMENTS

D533,218 S * 12/2006 Gant et al. D18/55

D534,175 S * 12/2006 Orihashi et al. D14/463

1 Claim, 7 Drawing Sheets



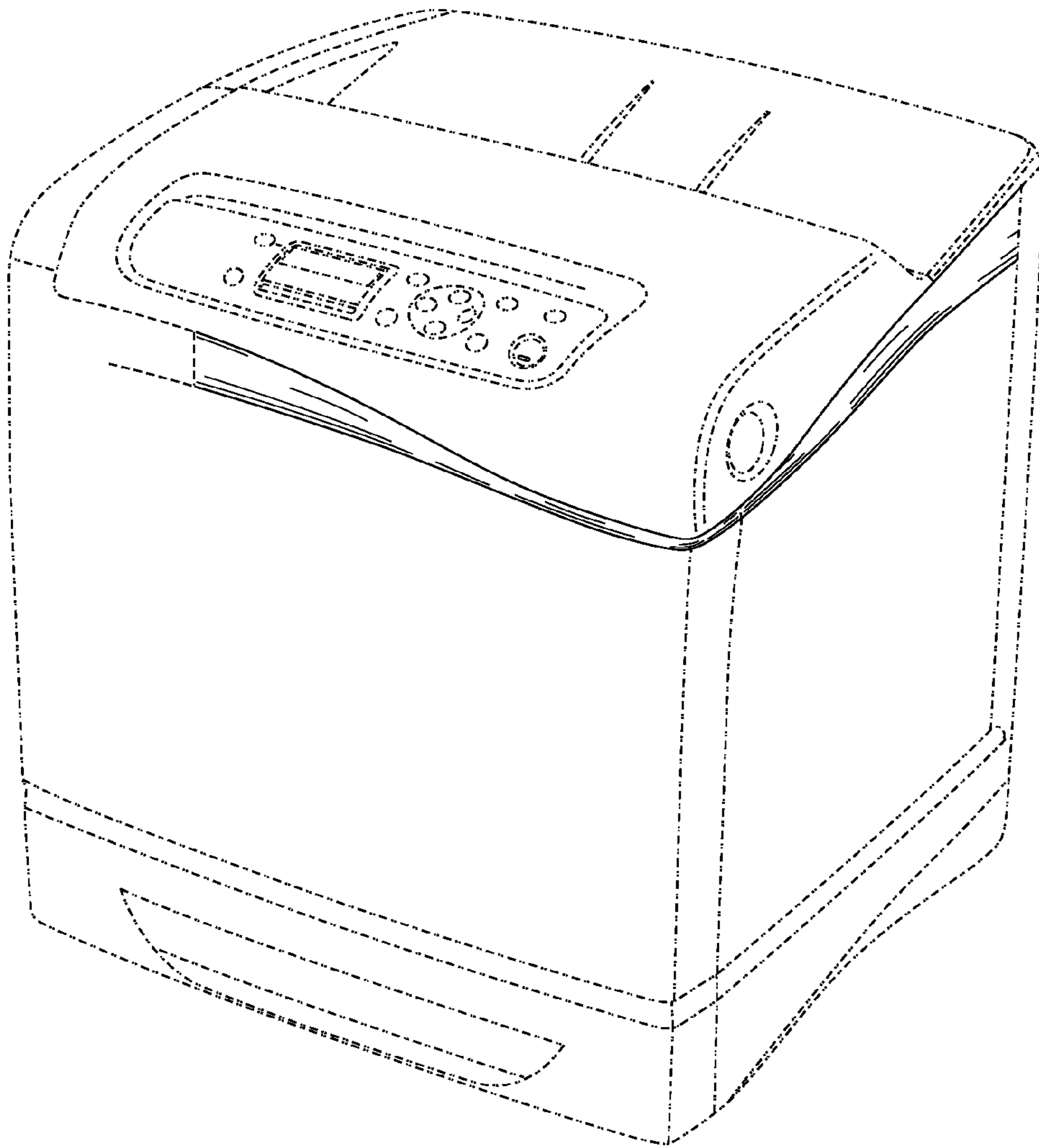


FIG. 1

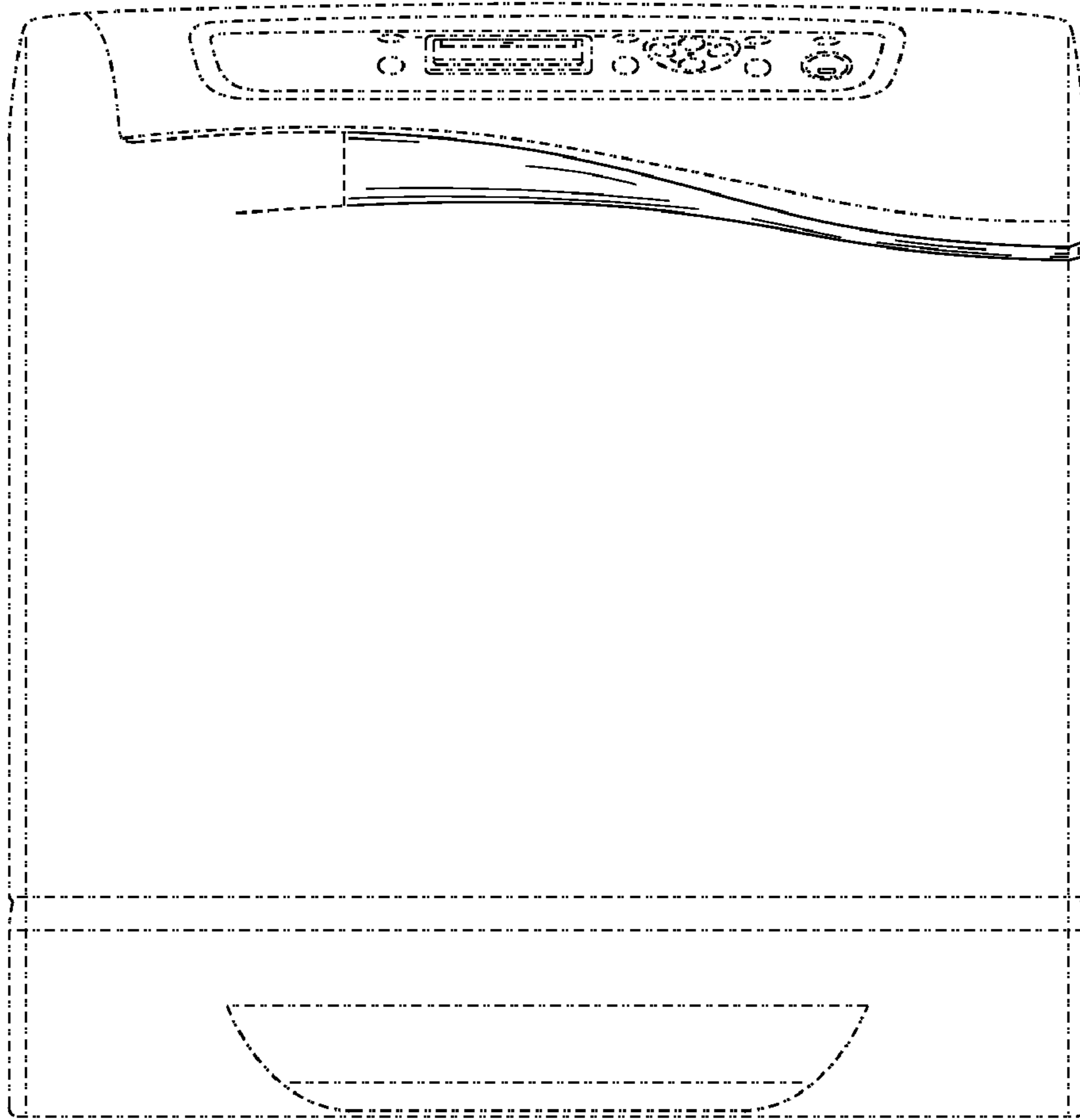


FIG. 2

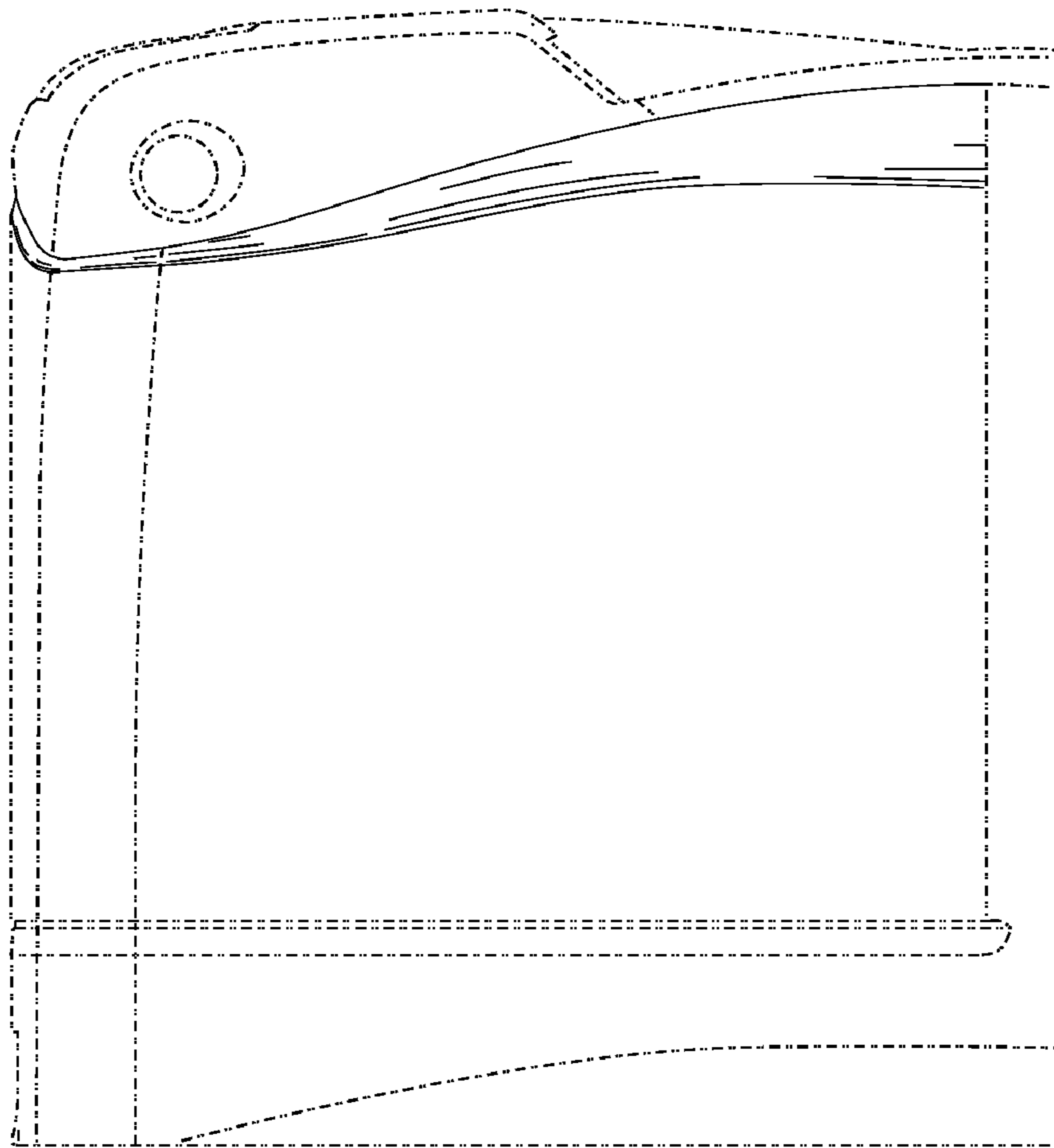


FIG. 3

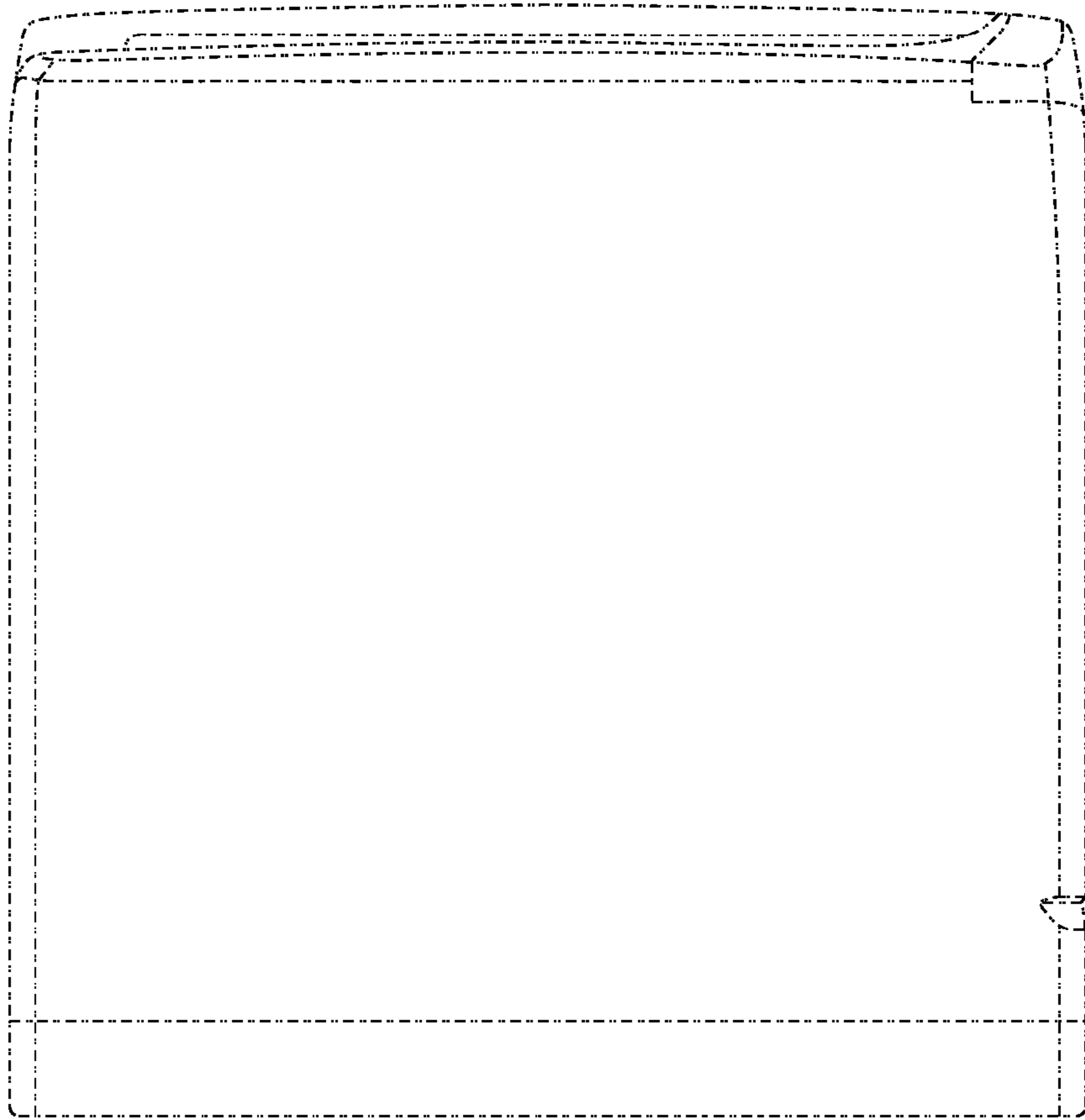


FIG. 4

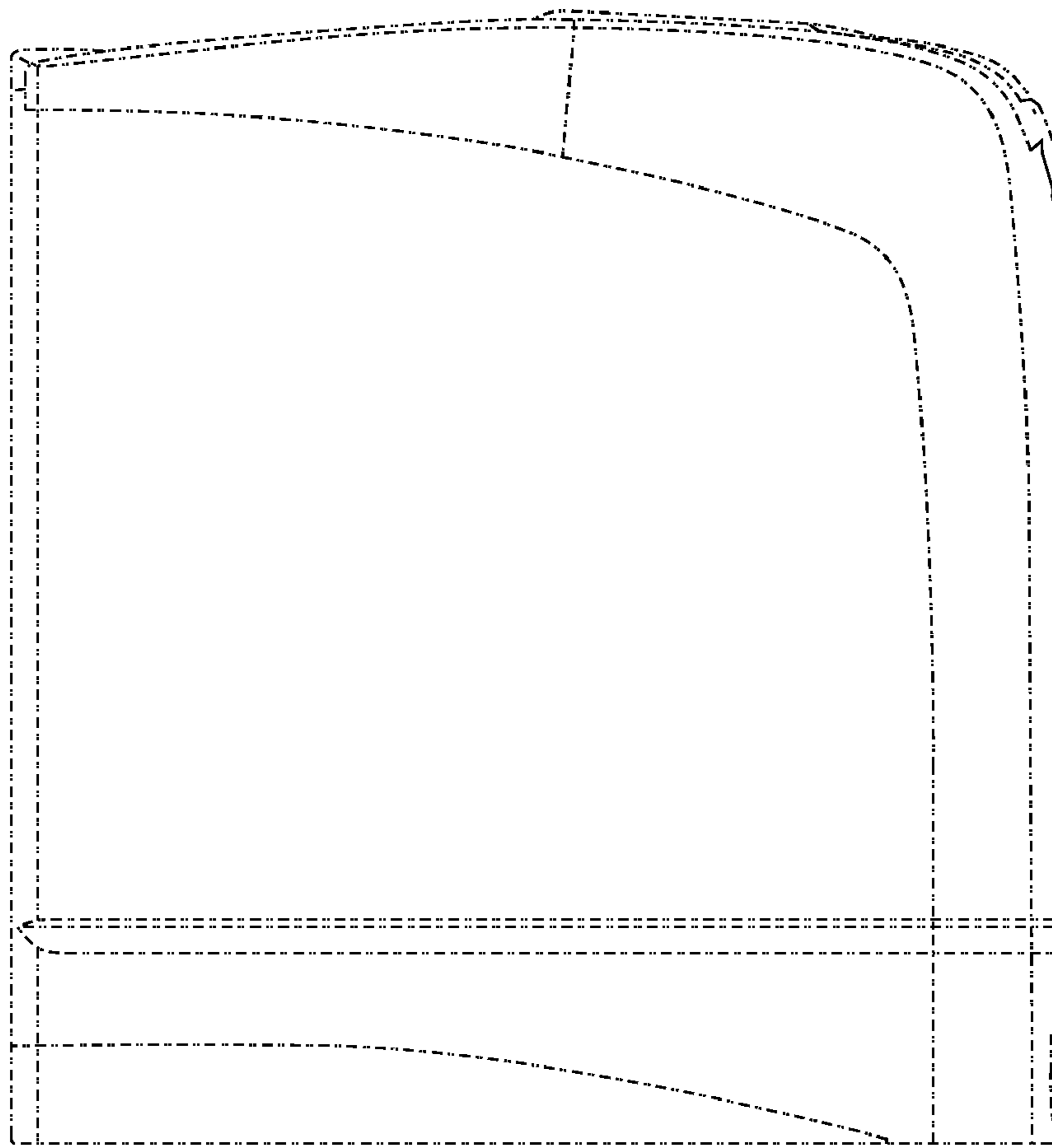


FIG. 5

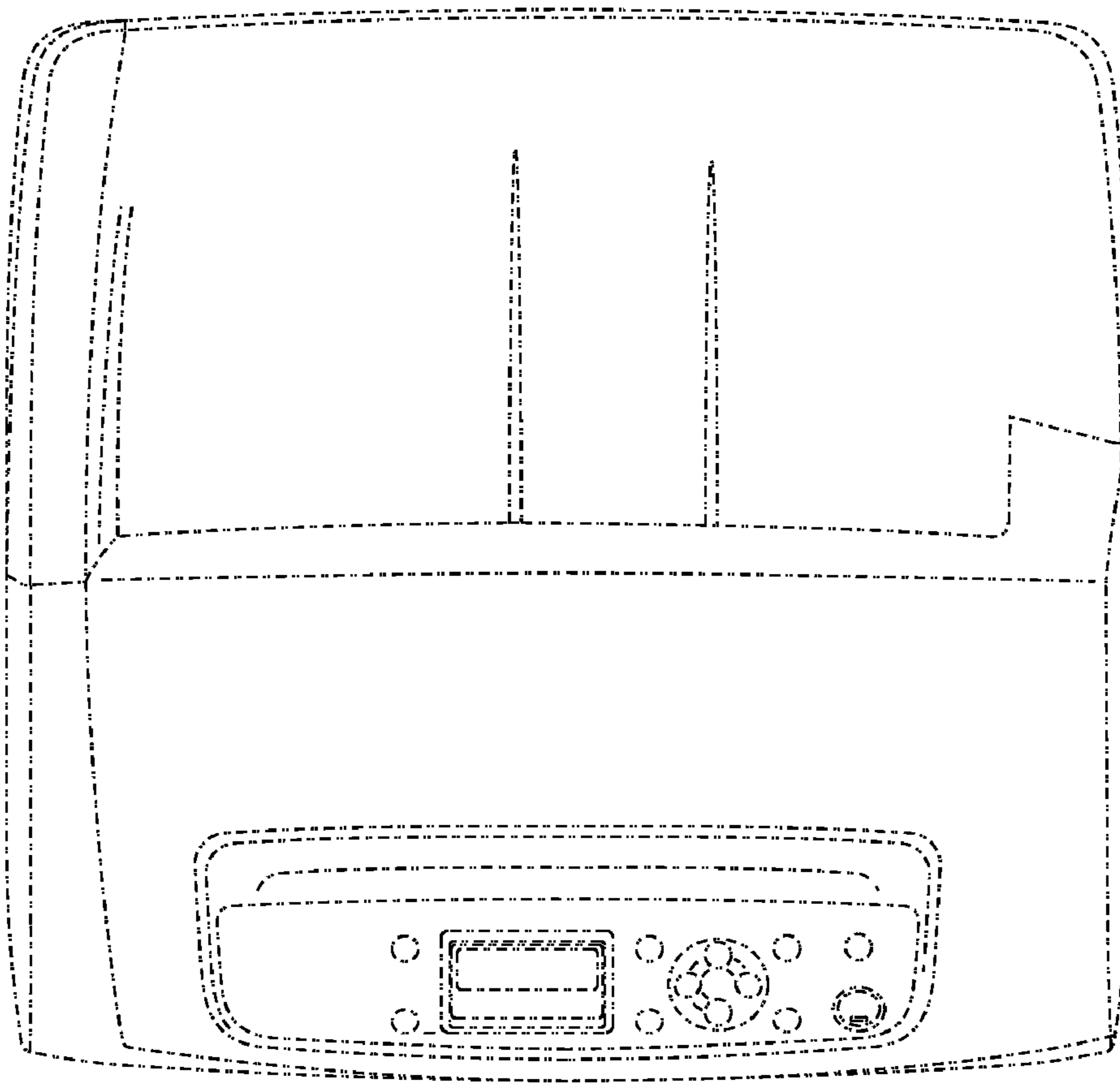


FIG. 6

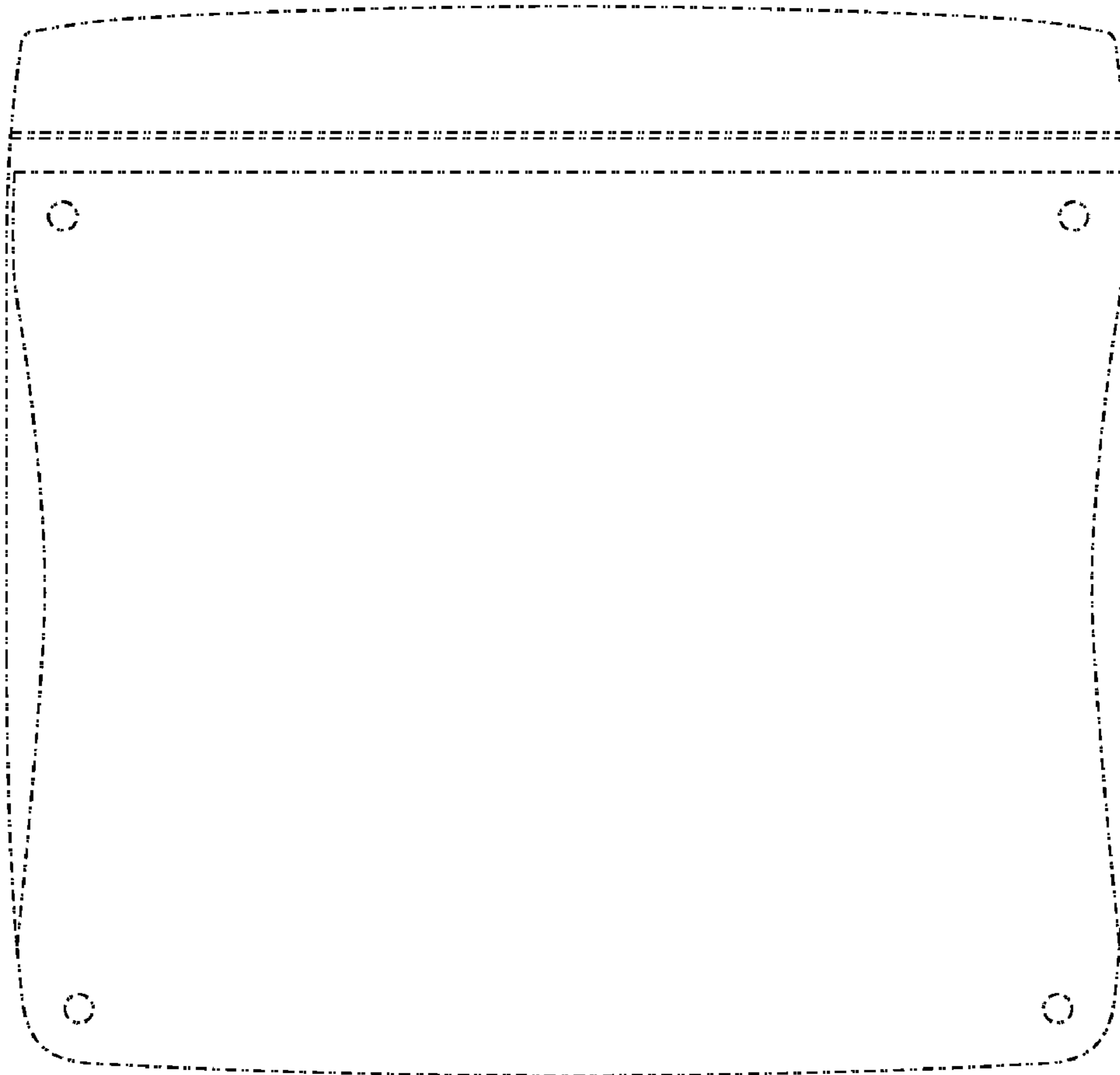


FIG. 7