



US00D628620S

(12) **United States Design Patent**
Beck et al.

(10) **Patent No.:** **US D628,620 S**
(45) **Date of Patent:** **** Dec. 7, 2010**

(54) **PRINTER**

(75) Inventors: **David Beck**, Exeter, RI (US); **Richard James Preliasco**, North Kingstown, RI (US); **Mark Steiner**, Greenwich, CT (US)

(73) Assignee: **ZIH Corp.**, Hamilton (BM)

(**) Term: **14 Years**

(21) Appl. No.: **29/320,081**

(22) Filed: **Jun. 19, 2008**

(51) **LOC (9) Cl.** **14-02**

(52) **U.S. Cl.** **D18/50**

(58) **Field of Classification Search** D18/36–37,
D18/50, 54, 54.1, 55, 19, 14; D14/420–425,
D14/463–470; 400/613, 613.1–613.4, 690.1–690.4,
400/691–694

See application file for complete search history.

(56) **References Cited**

U.S. PATENT DOCUMENTS

D333,316 S *	2/1993	Ishizawa	D18/55
D379,195 S *	5/1997	Stanton	D18/50
D398,920 S *	9/1998	Yen	D14/125
6,585,438 B2 *	7/2003	Hosokawa et al.	400/613
D478,116 S *	8/2003	Nakaeda et al.	D18/19
D487,087 S *	2/2004	Wang	D14/125
7,011,463 B2 *	3/2006	Matsuse	400/693
D527,044 S	8/2006	Harden et al.		

D532,038 S *	11/2006	Hutchinson	D18/50
D532,039 S	11/2006	Beck et al.		
D536,370 S	2/2007	Smolenski et al.		
D549,768 S	8/2007	Panebianco et al.		
7,306,386 B2 *	12/2007	Lyman et al.	400/692
7,524,051 B2 *	4/2009	Ahne et al.	347/109
2004/0018035 A1 *	1/2004	Petteruti et al.	400/88
2006/0165467 A1 *	7/2006	Kawakami et al.	400/613
2007/0172289 A1 *	7/2007	Robinson	400/613

* cited by examiner

Primary Examiner—Cathy Anne MacCormac

(74) *Attorney, Agent, or Firm*—Alston & Bird LLP

(57) **CLAIM**

The ornamental design for a printer, as shown and described.

DESCRIPTION

FIG. 1 is a perspective view of a printer according to our new design;

FIG. 2 is a front elevation view thereof;

FIG. 3 is a rear elevation view thereof;

FIG. 4 is a right side elevation view thereof;

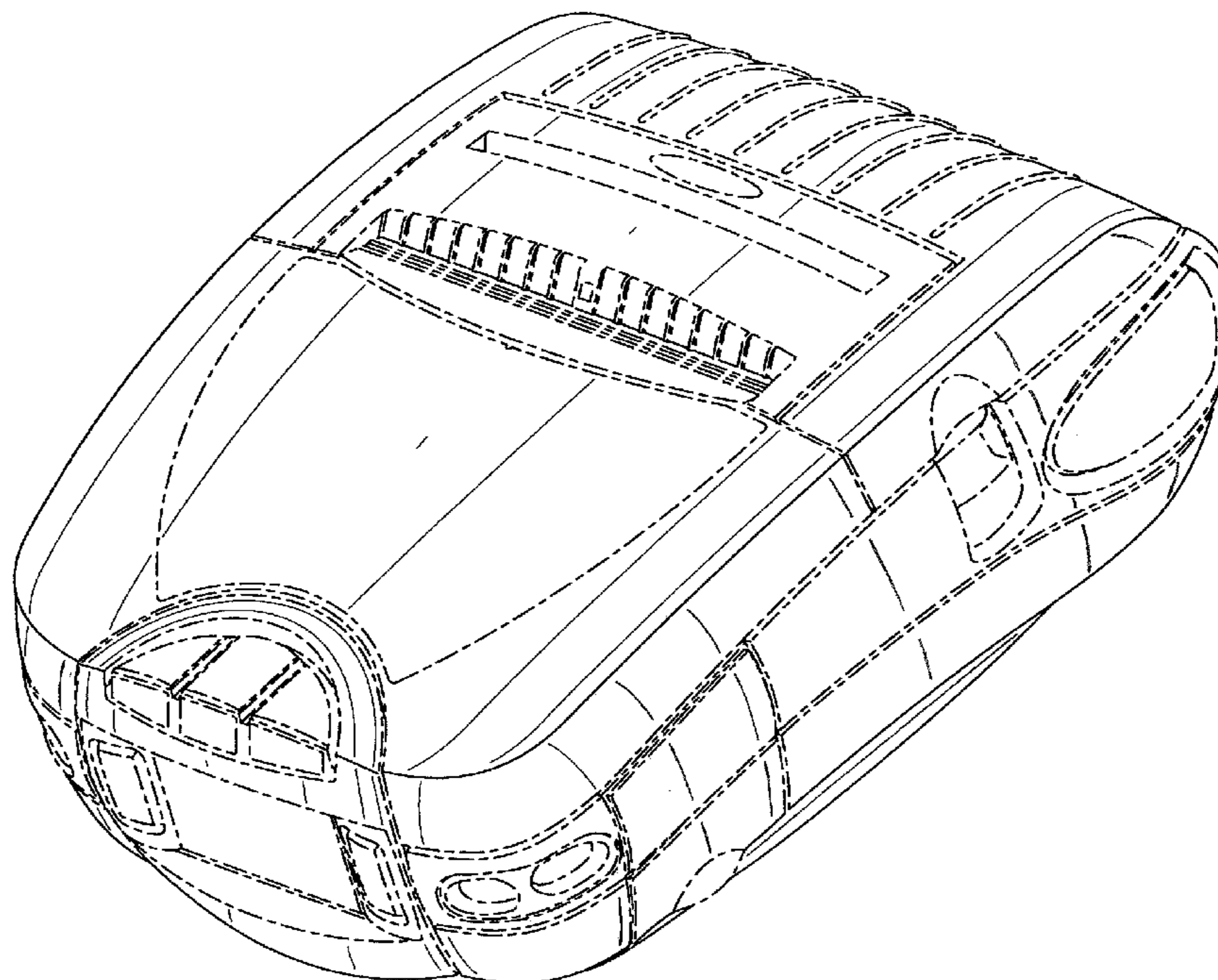
FIG. 5 is a left side elevation view thereof;

FIG. 6 is a top plan view thereof; and,

FIG. 7 is a bottom plan view thereof.

The broken lines shown herein which define the bounds of the claimed design form no part of the claimed design.

1 Claim, 6 Drawing Sheets



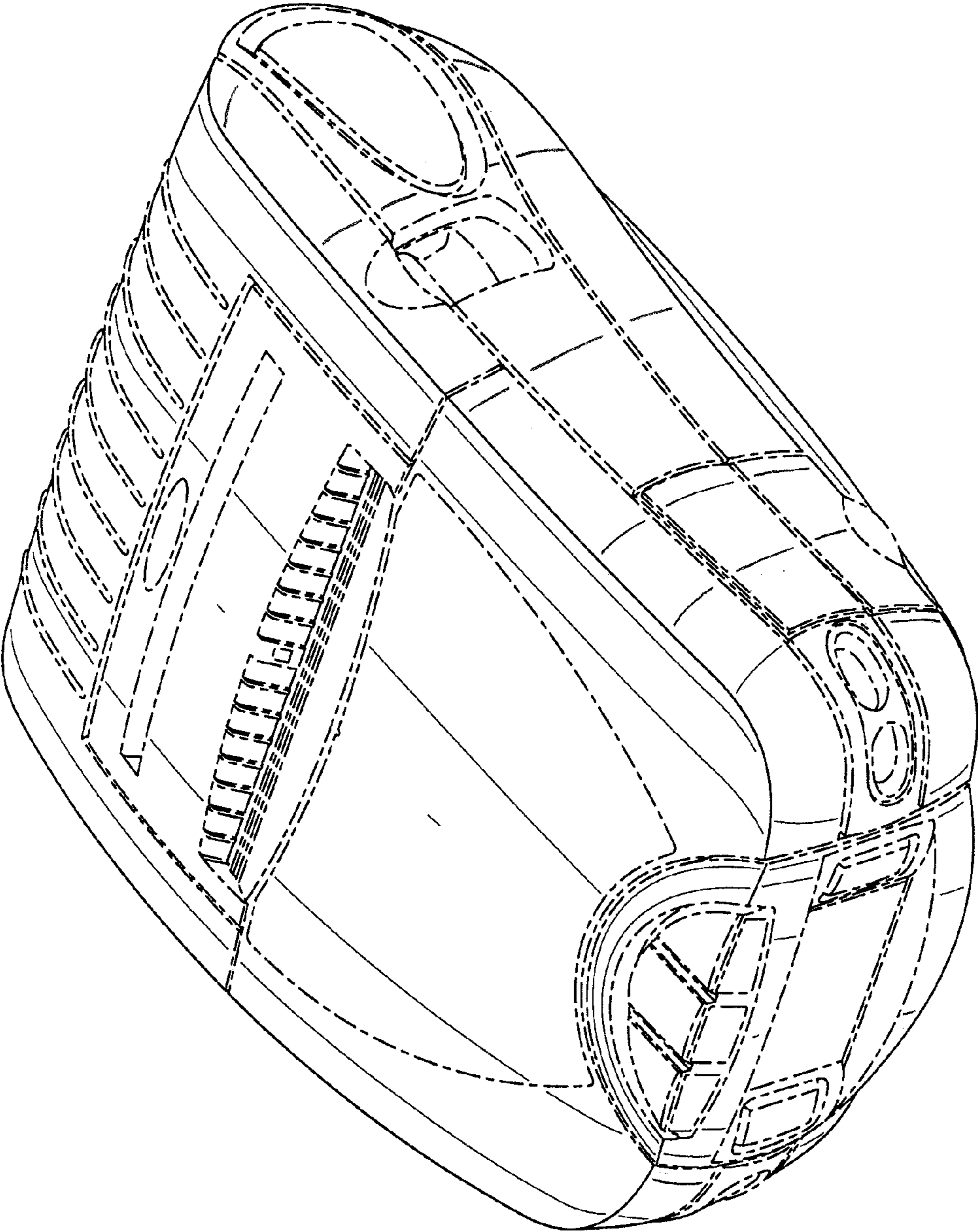


FIG. 1

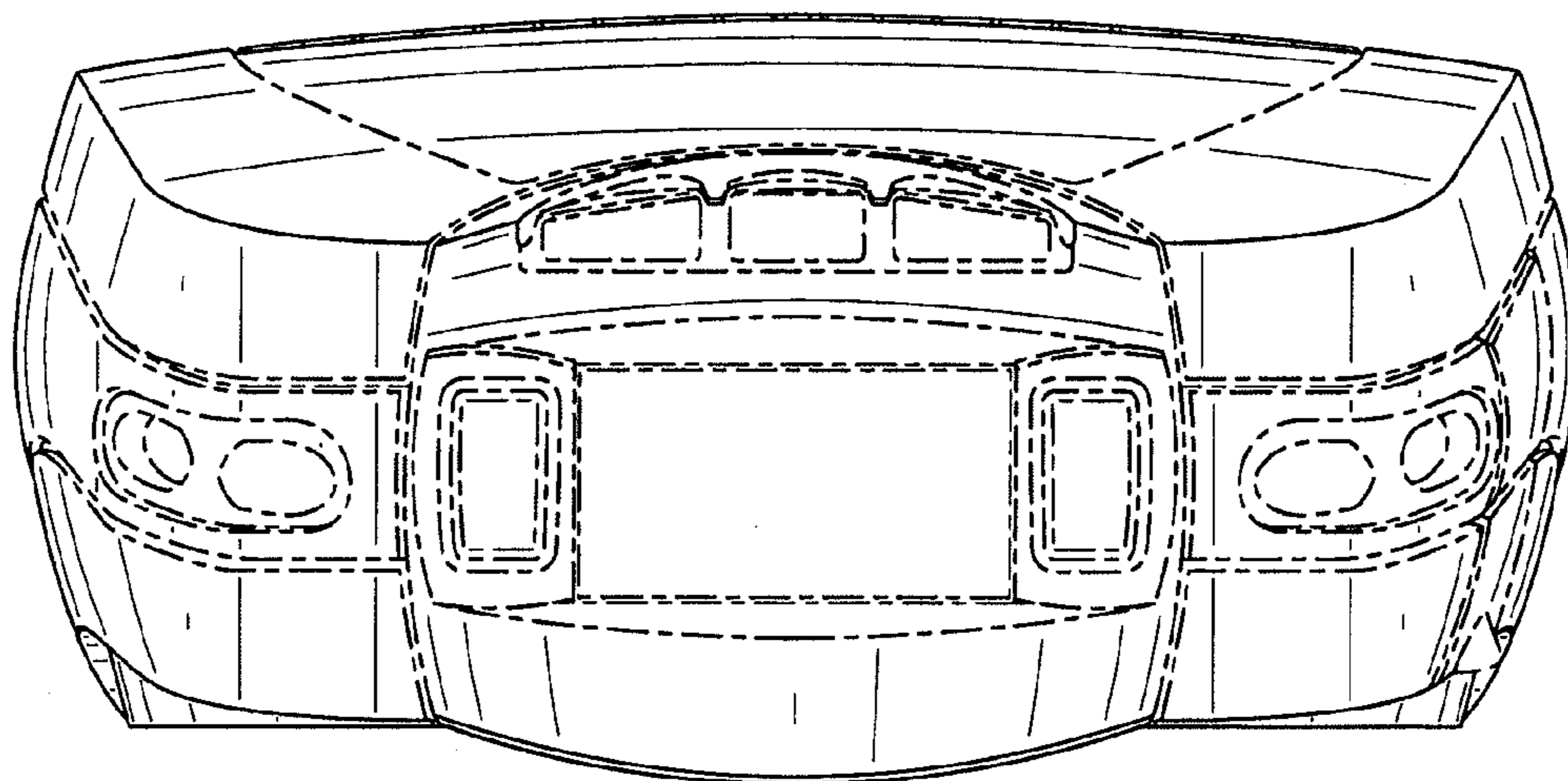


FIG. 2

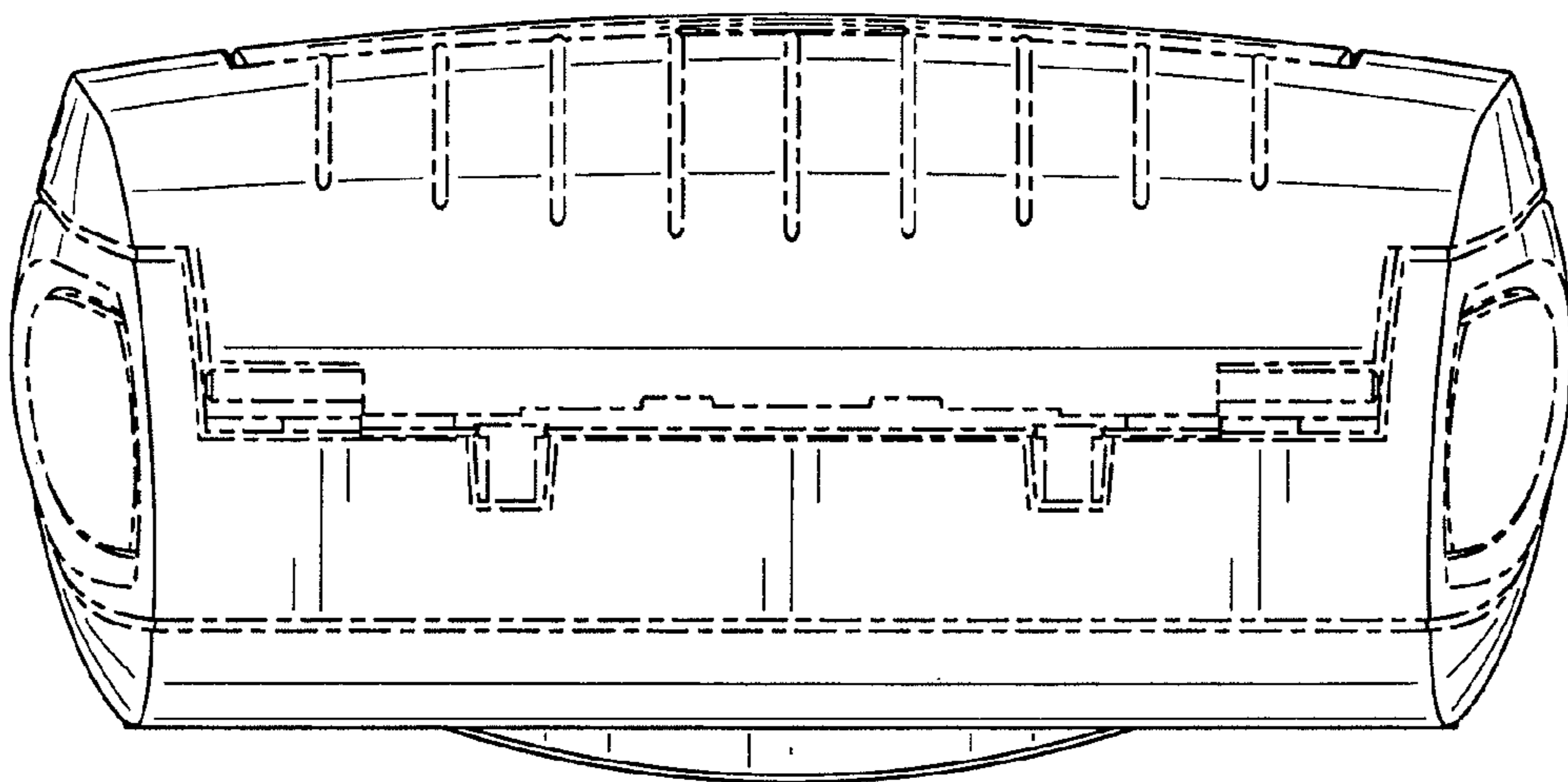


FIG. 3

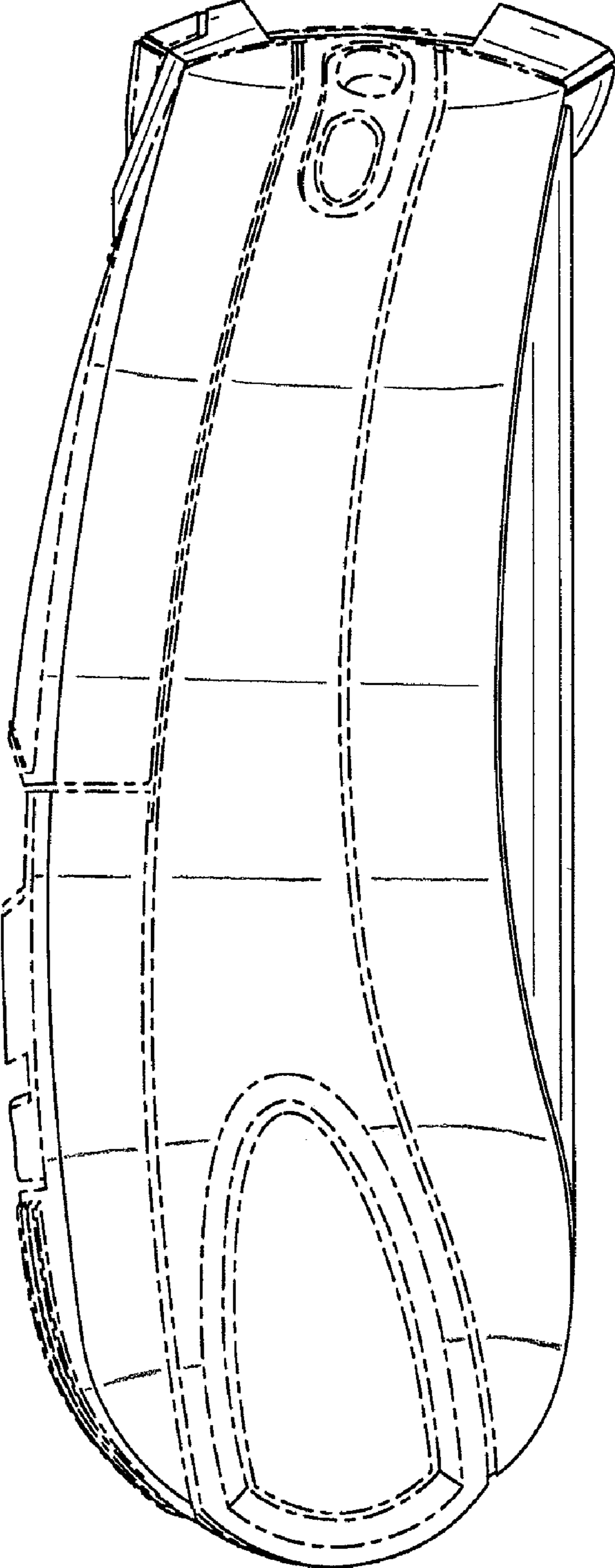


FIG. 4

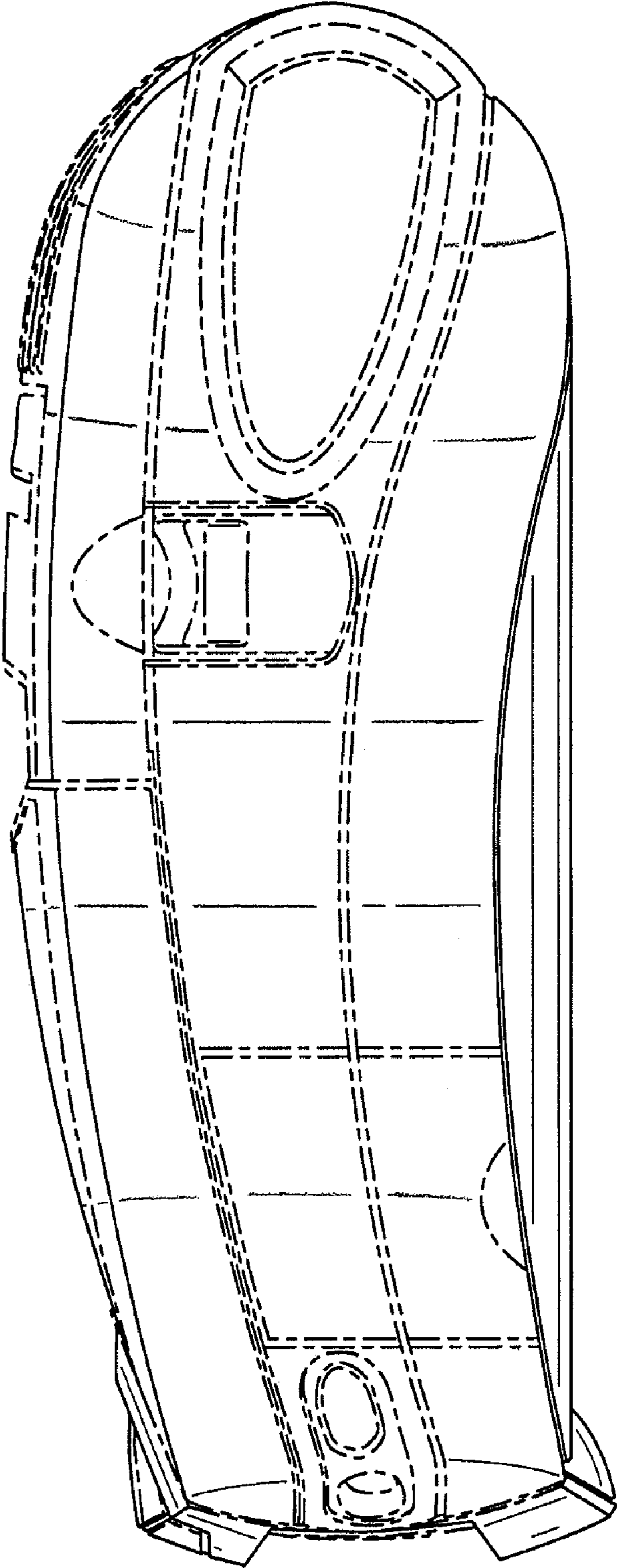


FIG. 5

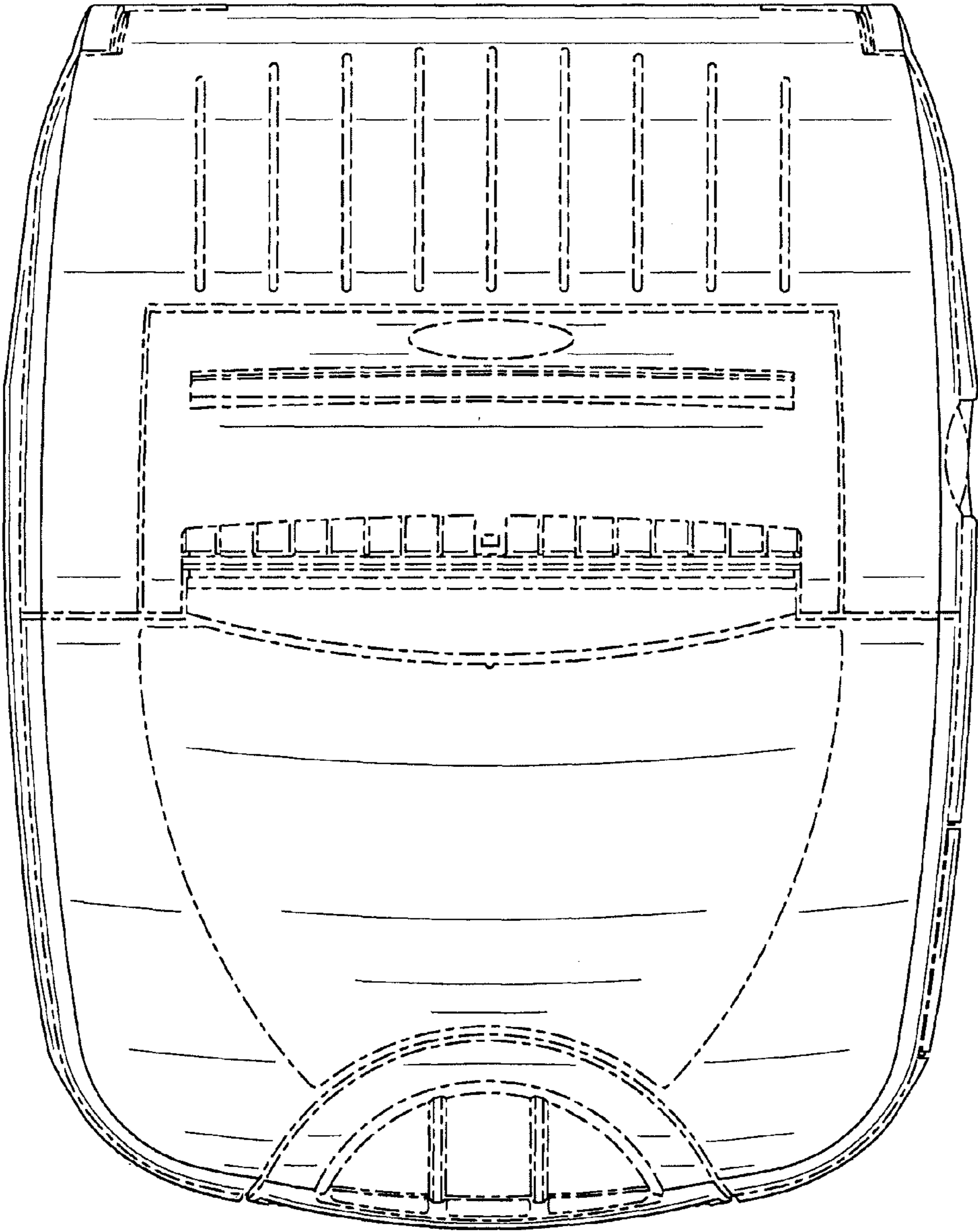


FIG. 6

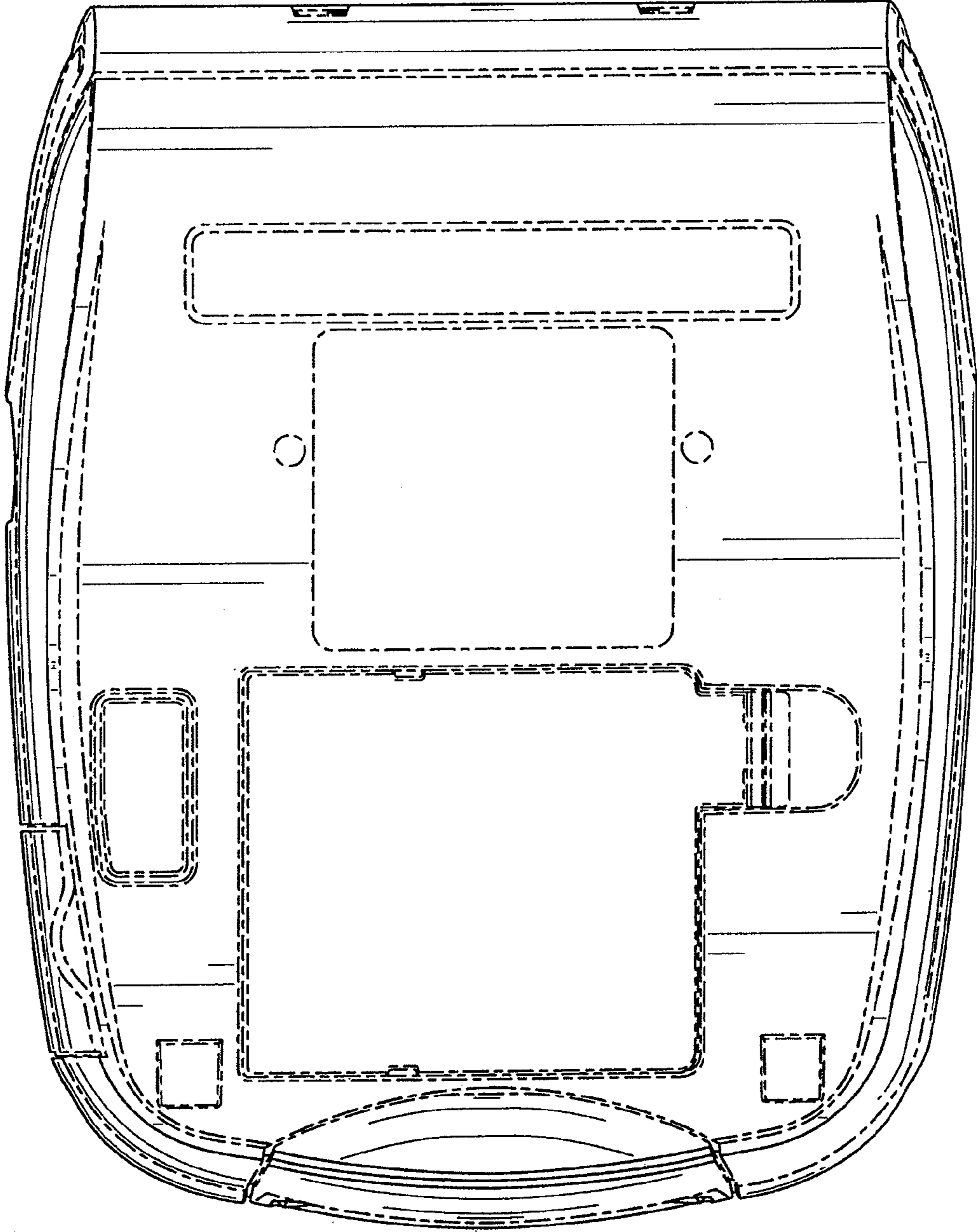


FIG 7