

US00D628612S

(12) **United States Design Patent**
Caspar

(10) **Patent No.:** **US D628,612 S**

(45) **Date of Patent:** **** Dec. 7, 2010**

(54) **PHOTO UNIT**

(75) Inventor: **Fredrik Caspar**, Stockholm (SE)

(73) Assignee: **Speed Identity AB**, Tyreso (SE)

(**) Term: **14 Years**

(21) Appl. No.: **29/333,950**

(22) Filed: **Mar. 18, 2009**

(30) **Foreign Application Priority Data**

Sep. 18, 2008 (EM) 001004840

(51) **LOC (9) Cl.** **16-01**

(52) **U.S. Cl.** **D16/214**

(58) **Field of Classification Search** D16/214,
D16/215; D25/16; 396/2, 3, 429

See application file for complete search history.

(56) **References Cited**

U.S. PATENT DOCUMENTS

4,701,039 A * 10/1987 Johnson 396/429

D309,197 S * 7/1990 Williams, Jr. D16/214

D433,695 S * 11/2000 Smart D16/215

6,408,132 B1 * 6/2002 Ishikawa 396/2

2004/0126104 A1 * 7/2004 Clark et al. 396/2

* cited by examiner

Primary Examiner—Adir Aronovich

(74) *Attorney, Agent, or Firm*—Young & Thompson

(57) **CLAIM**

The ornamental design for a photo unit, as shown.

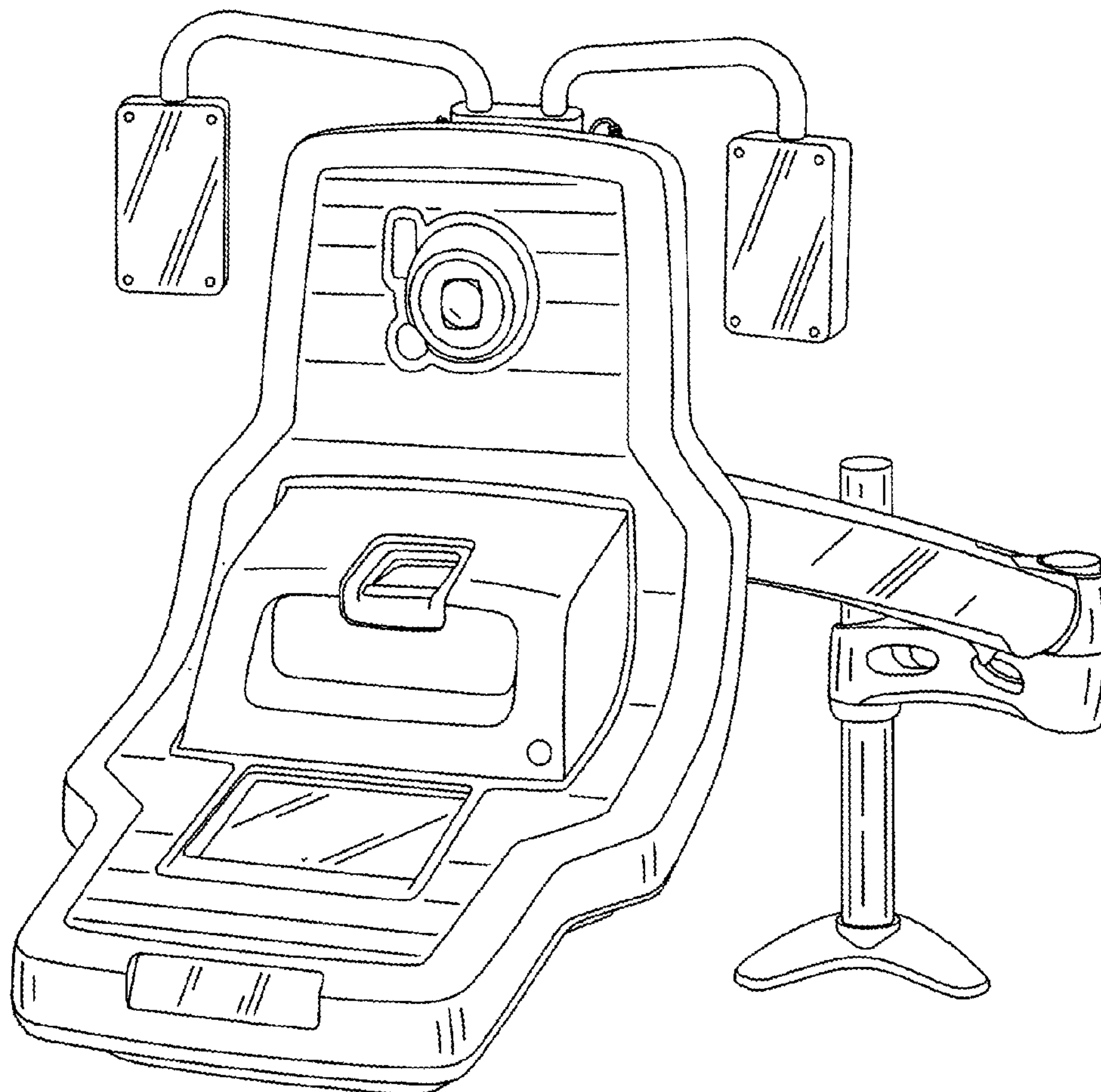
DESCRIPTION

FIG. 1 is a top, front and right side perspective view of a photo unit showing my new design;

FIG. 2 is a top, front and left side perspective view thereof; and,

FIG. 3 is a rear, top and left side perspective view thereof.

1 Claim, 3 Drawing Sheets



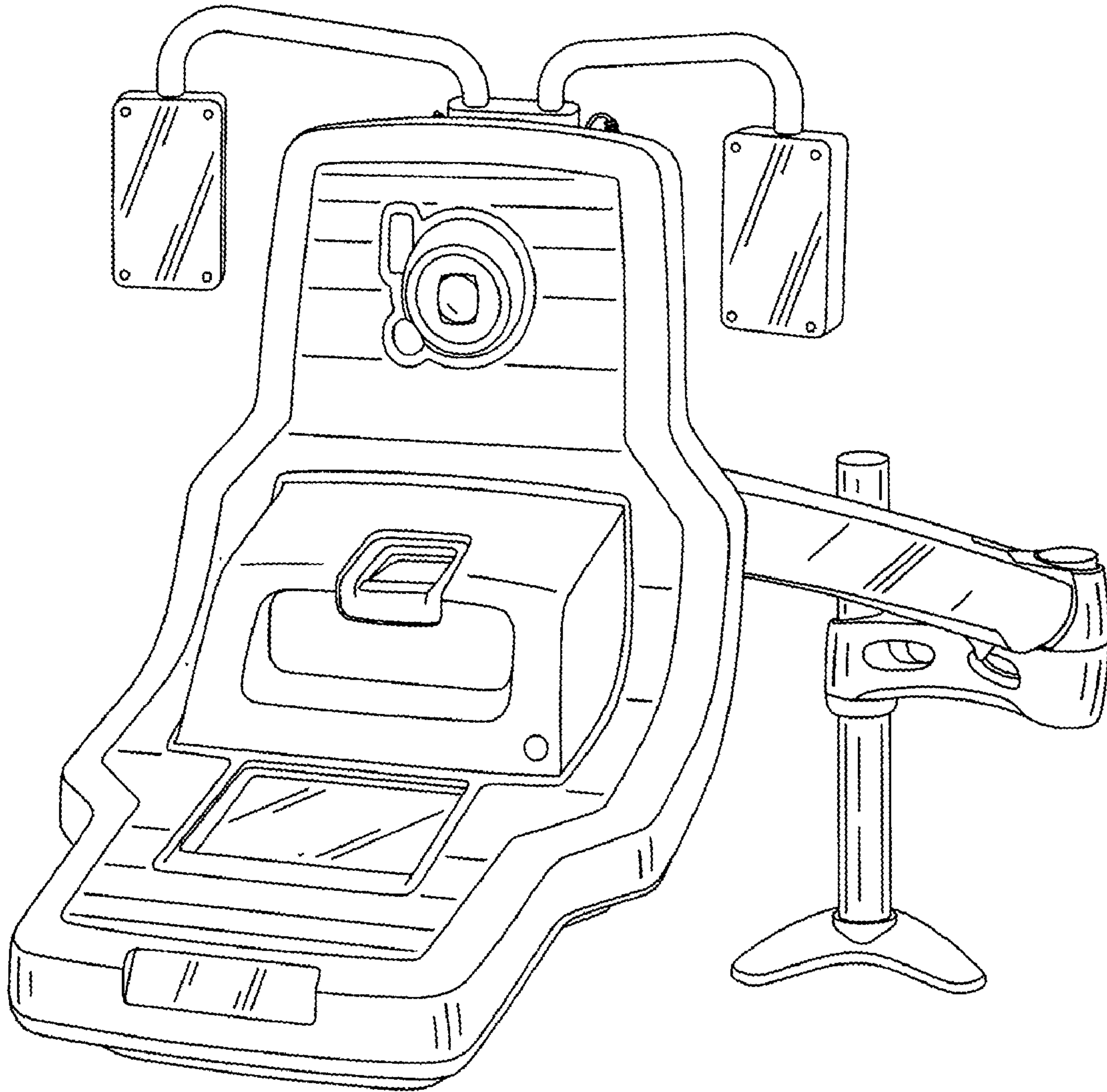


Fig. 1

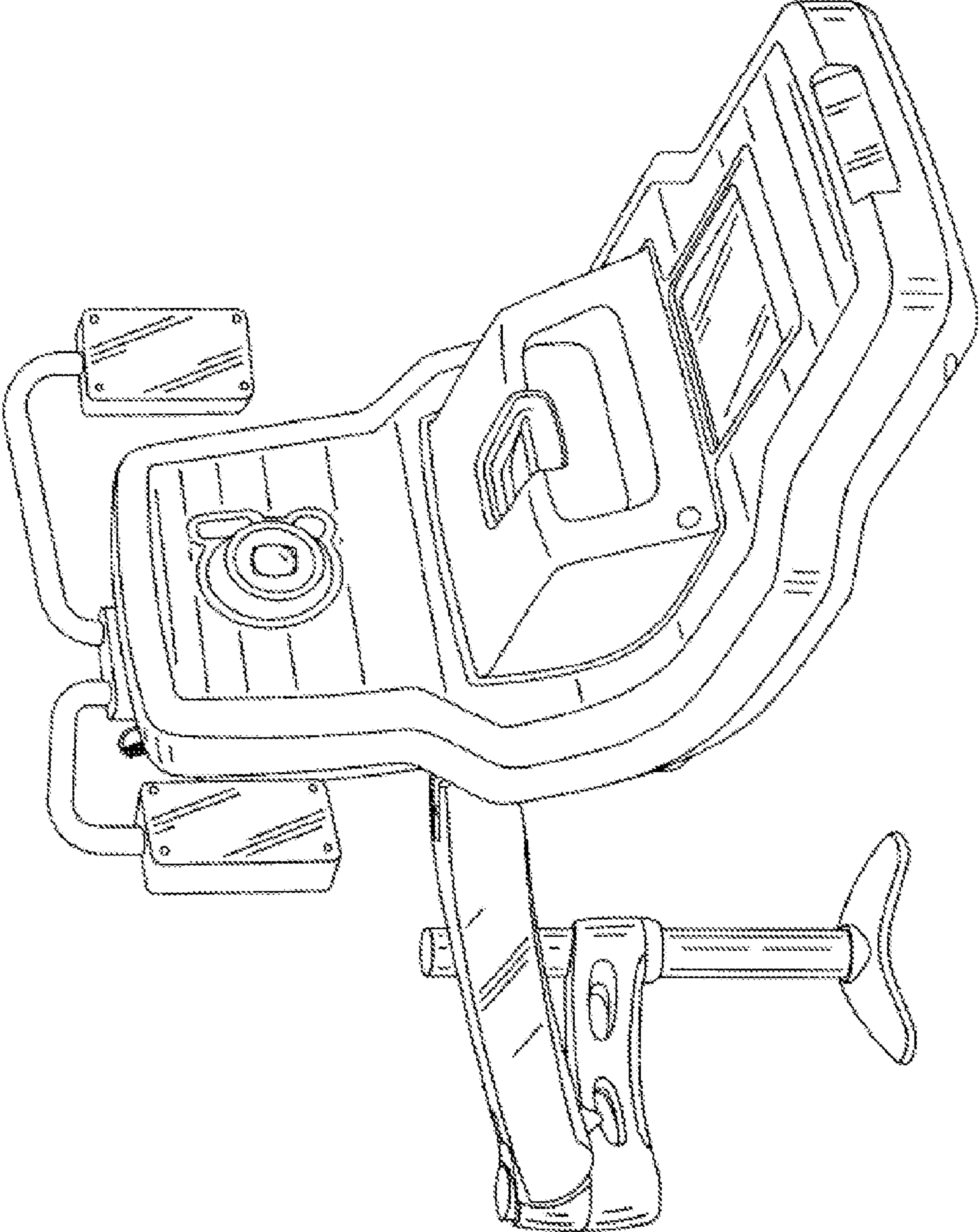


Fig. 2

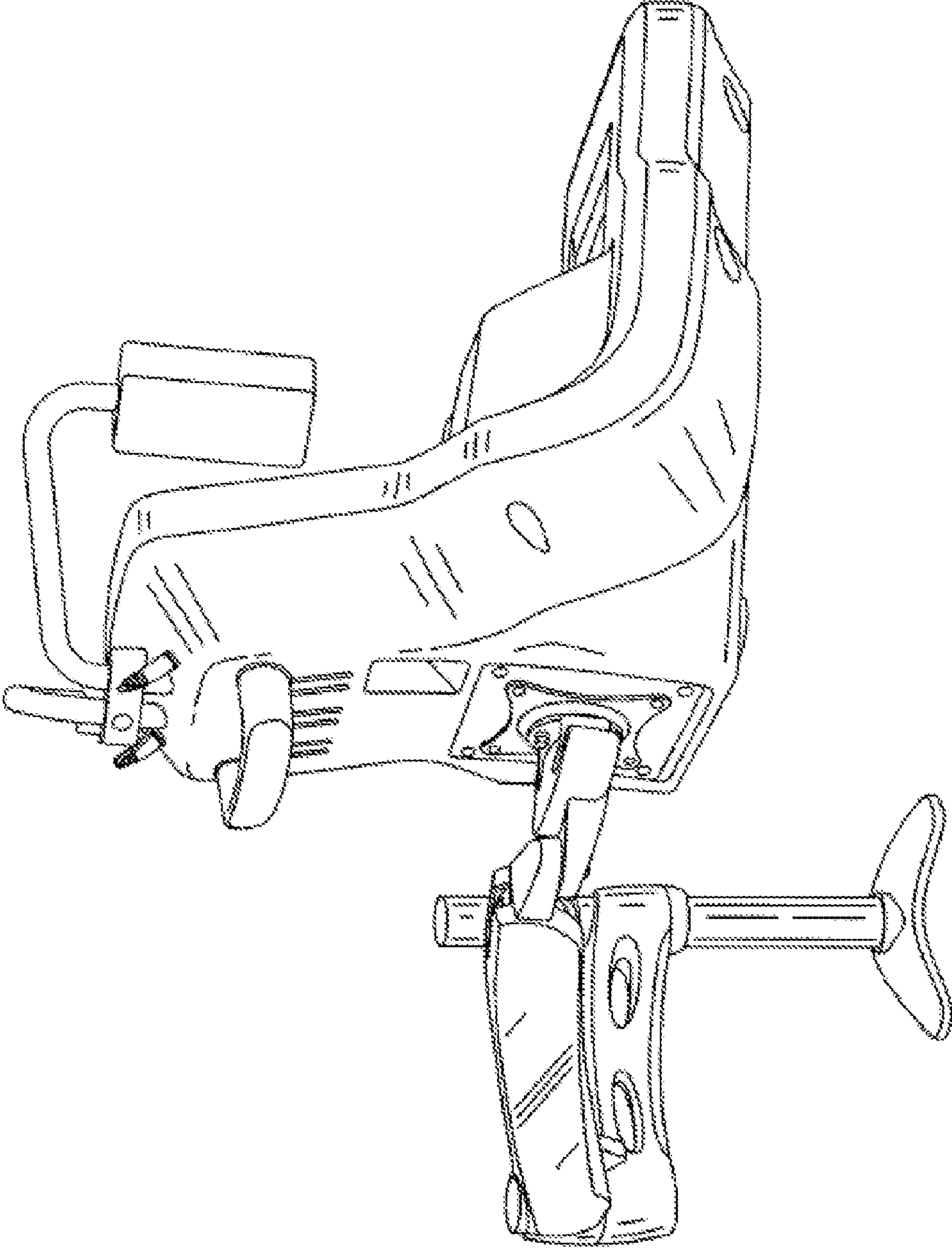


Fig. 3