



US00D628611S

(12) **United States Design Patent**
Lewis

(10) **Patent No.:** **US D628,611 S**
(45) **Date of Patent:** **** Dec. 7, 2010**

(54) **SECURITY CAMERA**

(76) **Inventor:** **Theodore Roland Lewis**, 27825 Ave.
Hopkins, Unit #5, Valencia, CA (US)
91355

(**) **Term:** **14 Years**

(21) **Appl. No.:** **29/319,856**

(22) **Filed:** **Jun. 16, 2008**

(51) **LOC (9) Cl.** **16-01**

(52) **U.S. Cl.** **D16/203; D16/208**

(58) **Field of Classification Search** D16/200,
D16/202, 203, 204, 208, 218, 242; 348/143,
348/373, 375; 396/427, 535

See application file for complete search history.

(56) **References Cited**

U.S. PATENT DOCUMENTS

D204,834 S * 5/1966 Conner D16/218
D339,365 S * 9/1993 Urcuilio D16/203
D388,107 S * 12/1997 Huckins D16/208

5,808,663 A * 9/1998 Okaya 348/373
D439,591 S * 3/2001 Reidt et al. D16/208
D504,904 S * 5/2005 Nagai et al. D16/203
D525,640 S * 7/2006 Bloch et al. D16/208
D572,288 S * 7/2008 Neoh et al. D16/208

* cited by examiner

Primary Examiner—Adir Aronovich

(74) *Attorney, Agent, or Firm*—Edwin Tarver; Lauson &
Tarver LLP

(57) **CLAIM**

I claim the ornamental design for a security camera, as shown
and described.

DESCRIPTION

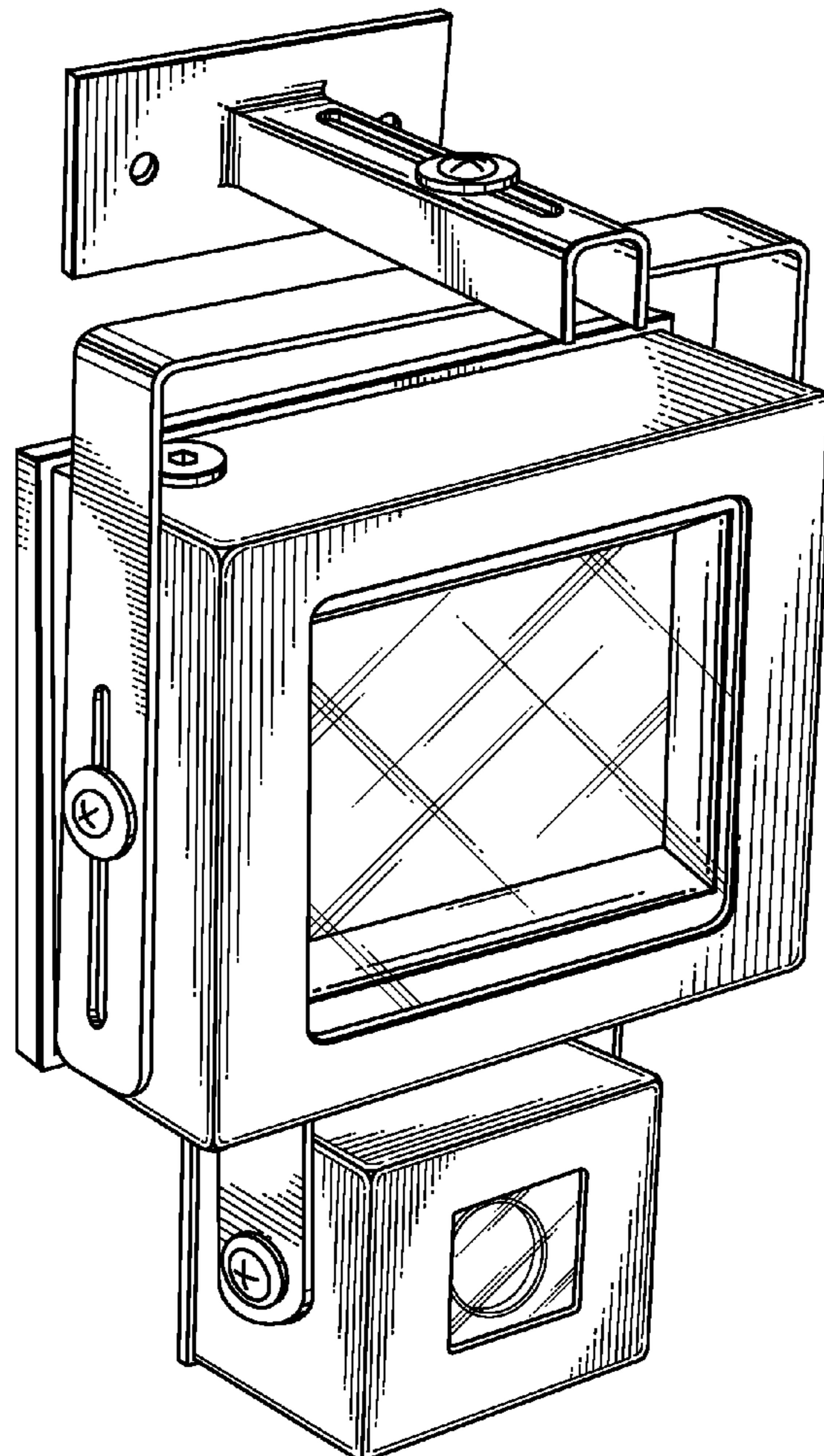
FIG. 1 is a front perspective view of the security camera
according to the new design.

FIG. 2 is a front view thereof.

FIG. 3 is a side view thereof; and,

FIG. 4 is a back view thereof.

1 Claim, 4 Drawing Sheets



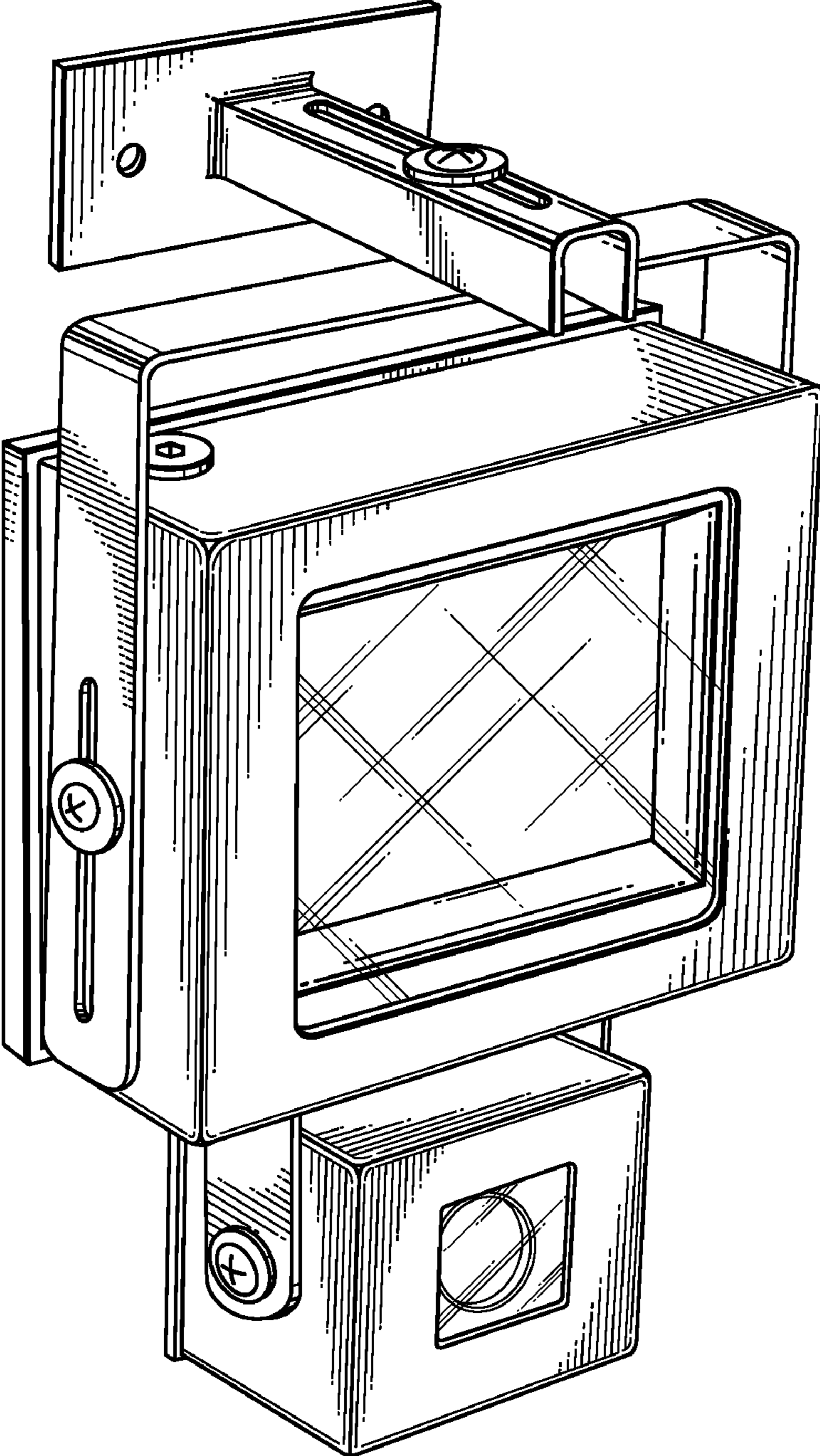


Fig. 1

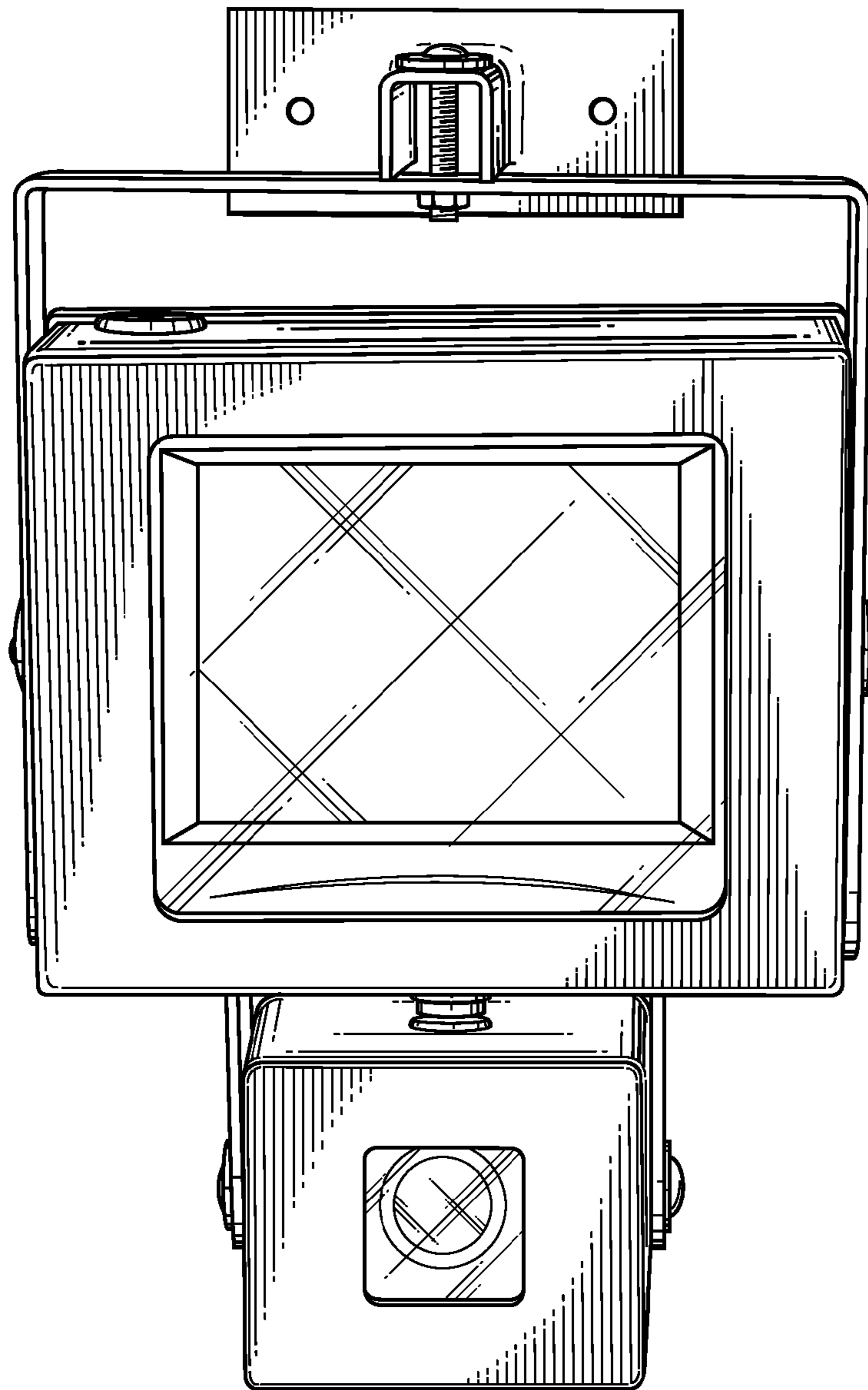


Fig. 2

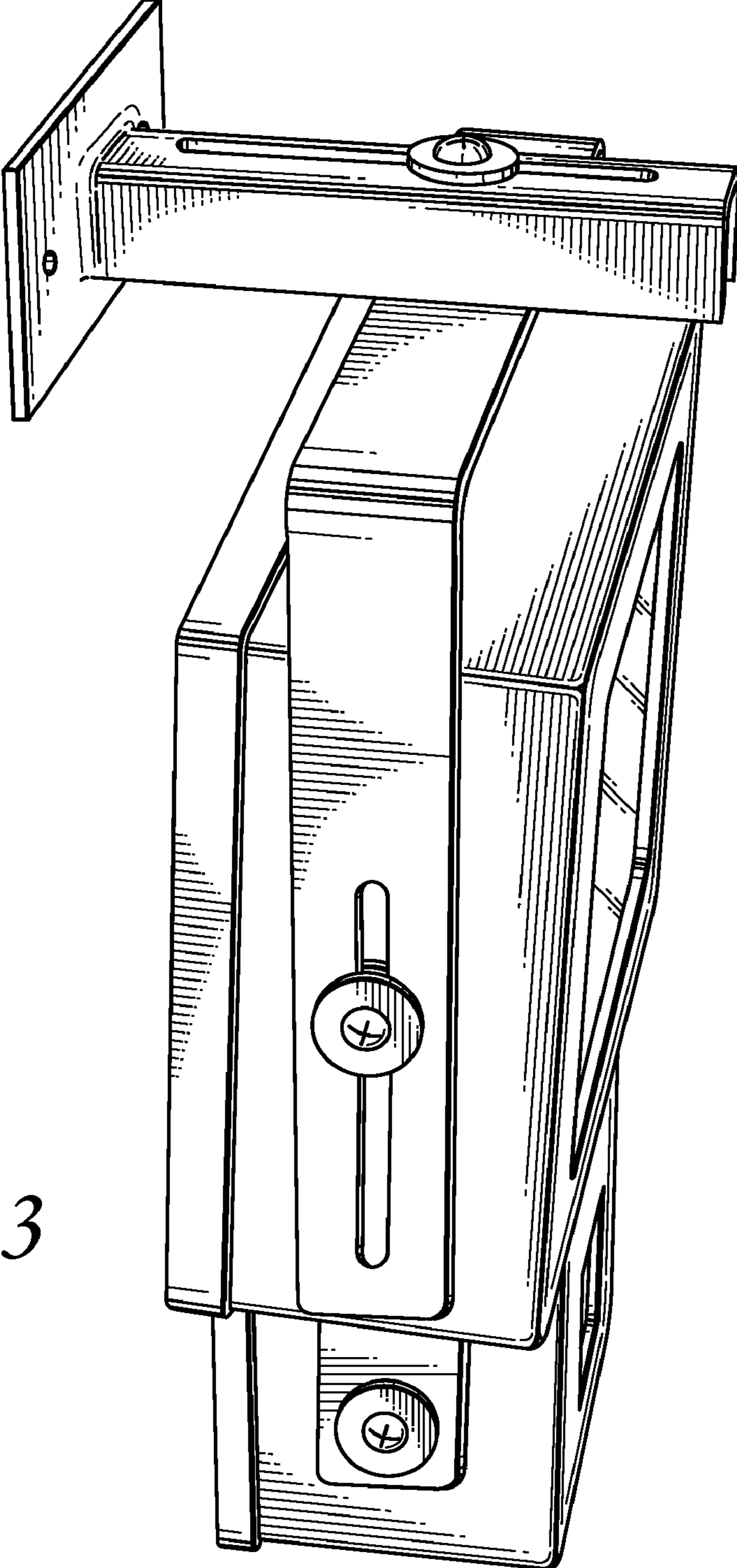


Fig. 3

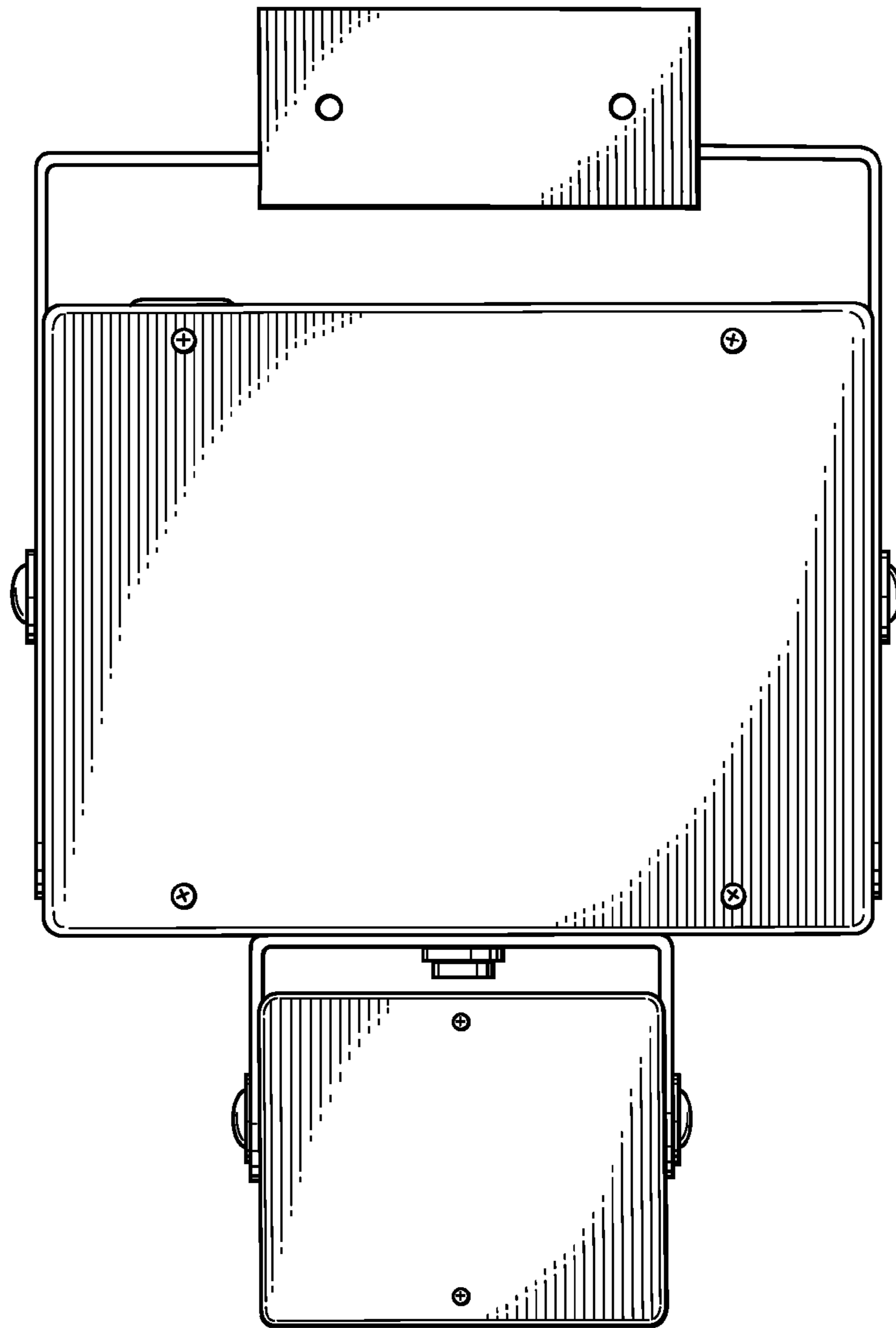


Fig. 4