



US00D628608S

(12) **United States Design Patent**
Motoishi

(10) **Patent No.:** **US D628,608 S**
(45) **Date of Patent:** **** Dec. 7, 2010**

(54) **COMBINED AUDIO SYSTEM AND DIGITAL PHOTO FRAME**

(75) Inventor: **Takuya Motoishi**, Tokyo (JP)

(73) Assignee: **Sony Corporation**, Tokyo (JP)

(**) Term: **14 Years**

(21) Appl. No.: **29/347,417**

(22) Filed: **Dec. 28, 2009**

(51) **LOC (9) Cl.** **15-09**

(52) **U.S. Cl.** **D15/139**

(58) **Field of Classification Search** D15/138,
D15/139; 83/651; 175/80; 407/54, 57, 63;
408/199-234; 409/137, 138

See application file for complete search history.

(56) **References Cited**

U.S. PATENT DOCUMENTS

D579,443 S	10/2008	Donovan et al.
D583,360 S	12/2008	Gredler
D587,261 S	2/2009	Skaf et al.
D599,801 S	9/2009	Skaf et al.
D600,251 S	9/2009	Poandl

FOREIGN PATENT DOCUMENTS

JP	D1087098 S	10/2000
JP	D1087812 S	10/2000
JP	D1087813 S	10/2000
JP	D1094701 S	12/2000
JP	D1096841 S	1/2001
JP	D1099982 S	2/2001
JP	D1118228 S	8/2001
JP	D1118229 S	8/2001
JP	D1118435 S	8/2001
JP	D1137454 S	4/2002
JP	D1138083 S	4/2002
JP	D1138119 S	4/2002
JP	D1138120 S	4/2002
JP	D1138560 S	4/2002
JP	D1201510 S	4/2004
JP	D1212543 S	7/2004

JP	D1225221 S	12/2004
JP	D1225656 S	12/2004
JP	D1249179 S	8/2005
JP	D1257712 S	12/2005
JP	D1265969 S	3/2006
JP	D1265971 S	3/2006
JP	D1266026 S	3/2006
JP	D1266380 S	3/2006
JP	D1266575 S	3/2006
JP	D1277300 S	7/2006
JP	D1277303 S	7/2006
JP	D1277304 S	7/2006
JP	D1277305 S	7/2006
JP	D1277465 S	7/2006
JP	D1293711 S	2/2007
JP	D1293712 S	2/2007
JP	D1294301 S	2/2007
JP	D1294628 S	2/2007

(Continued)

Primary Examiner—Antoine D. Davis

Assistant Examiner—Patricia Palasik

(74) *Attorney, Agent, or Firm*—Rader, Fishman & Grauer PLLC

(57) **CLAIM**

The ornamental design for a combined audio system and digital photo frame, as shown and described.

DESCRIPTION

FIG. 1 is a perspective view of a combined audio system and digital photo frame showing my new design;

FIG. 2 is a front elevational view thereof;

FIG. 3 is a rear elevational view thereof;

FIG. 4 is a left side elevational view thereof;

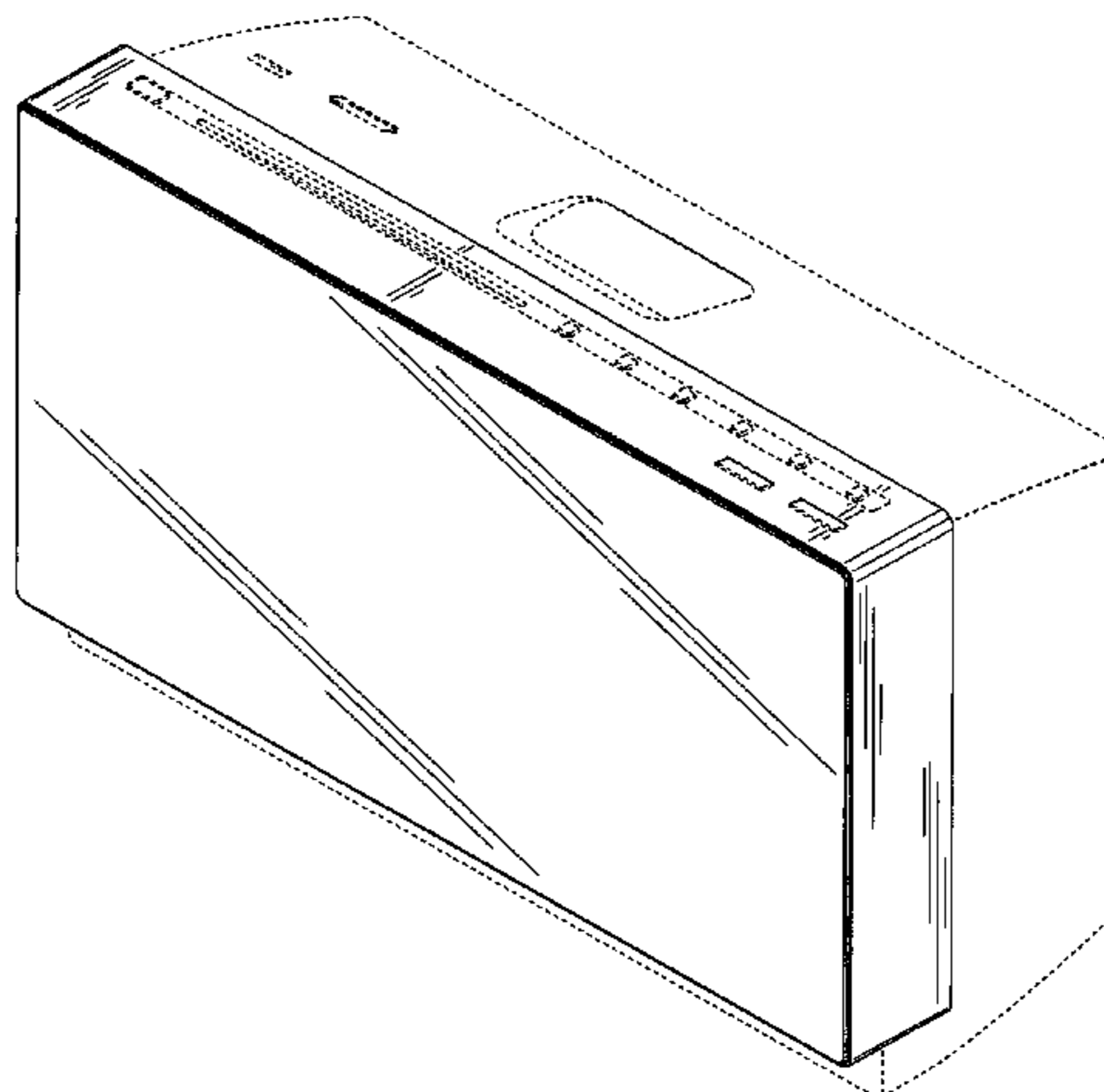
FIG. 5 is a right side elevational view thereof;

FIG. 6 is a top plan view thereof; and,

FIG. 7 is a bottom plan view thereof.

Portions in broken lines are for illustrative purpose only and form no part of the claimed design.

1 Claim, 7 Drawing Sheets



US D628,608 S

Page 2

FOREIGN PATENT DOCUMENTS					
			JP	D1307049 S	8/2007
			JP	D1307208 S	8/2007
JP	D1294629 S	2/2007	JP	D1307415 S	8/2007
JP	D1294630 S	2/2007	JP	D1307416 S	8/2007
JP	D1294631 S	2/2007	JP	D1307417 S	8/2007
JP	D1303162 S	6/2007	JP	D1328552 S	4/2008

FIG.1

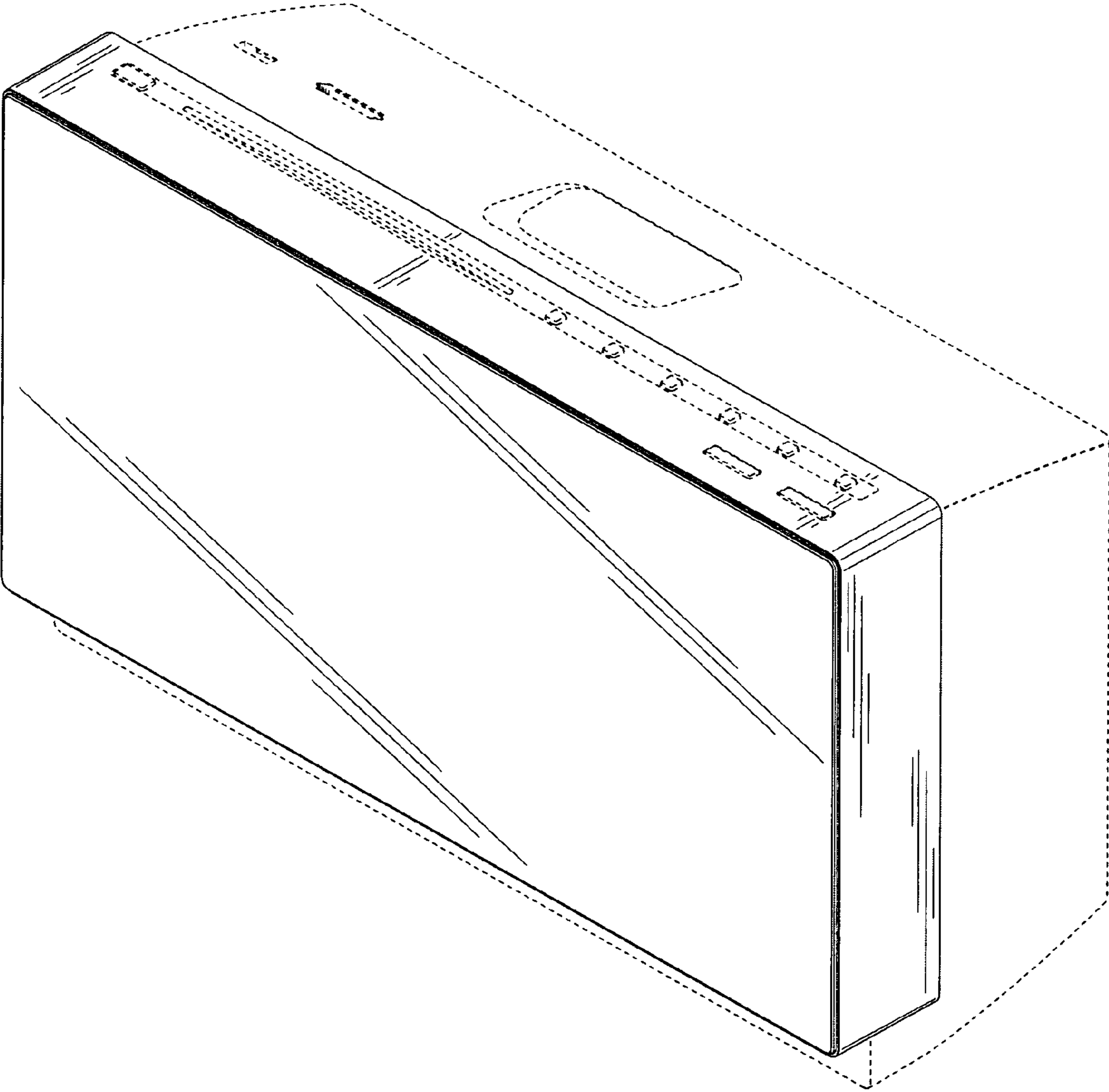


FIG.2

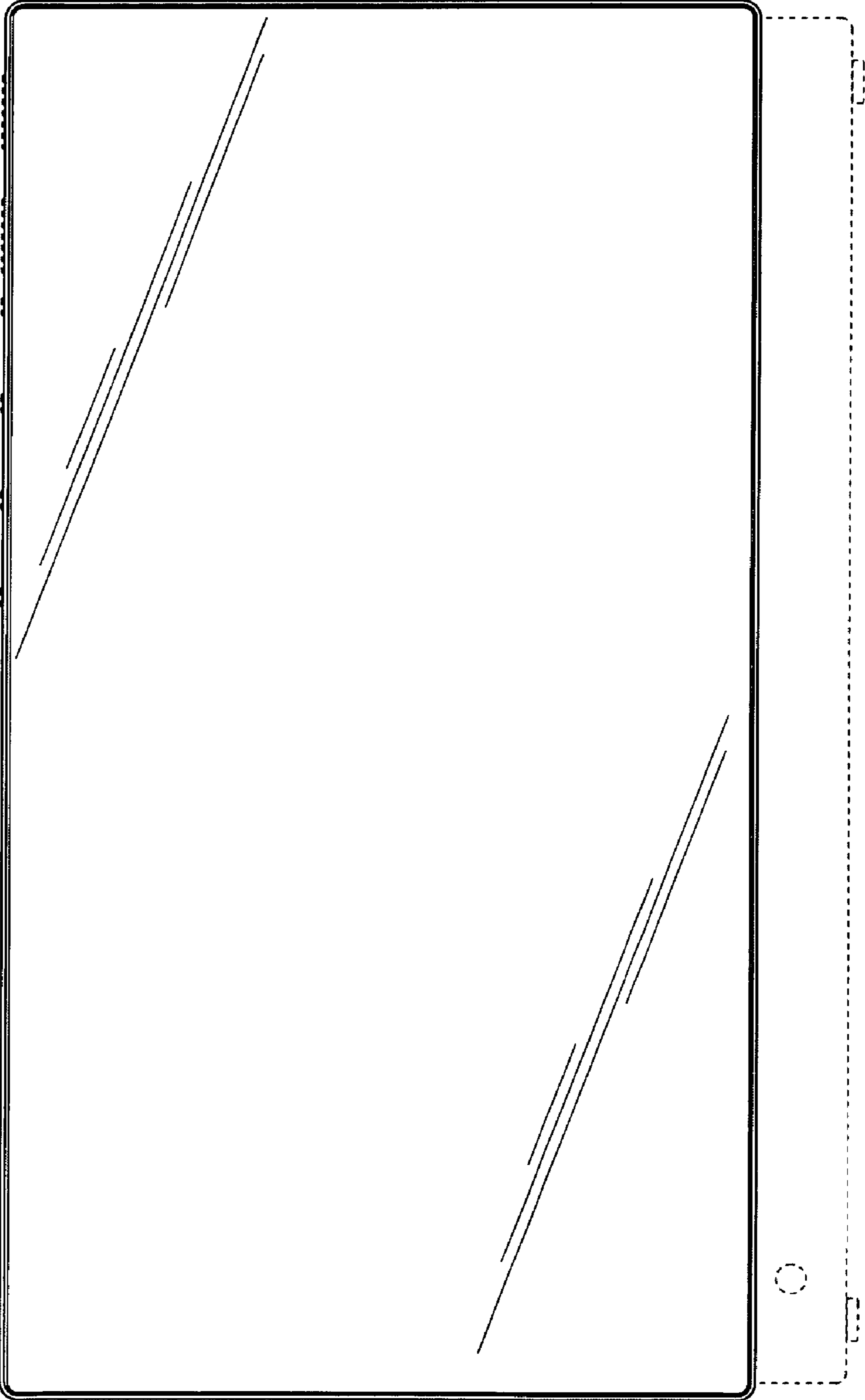


FIG. 3

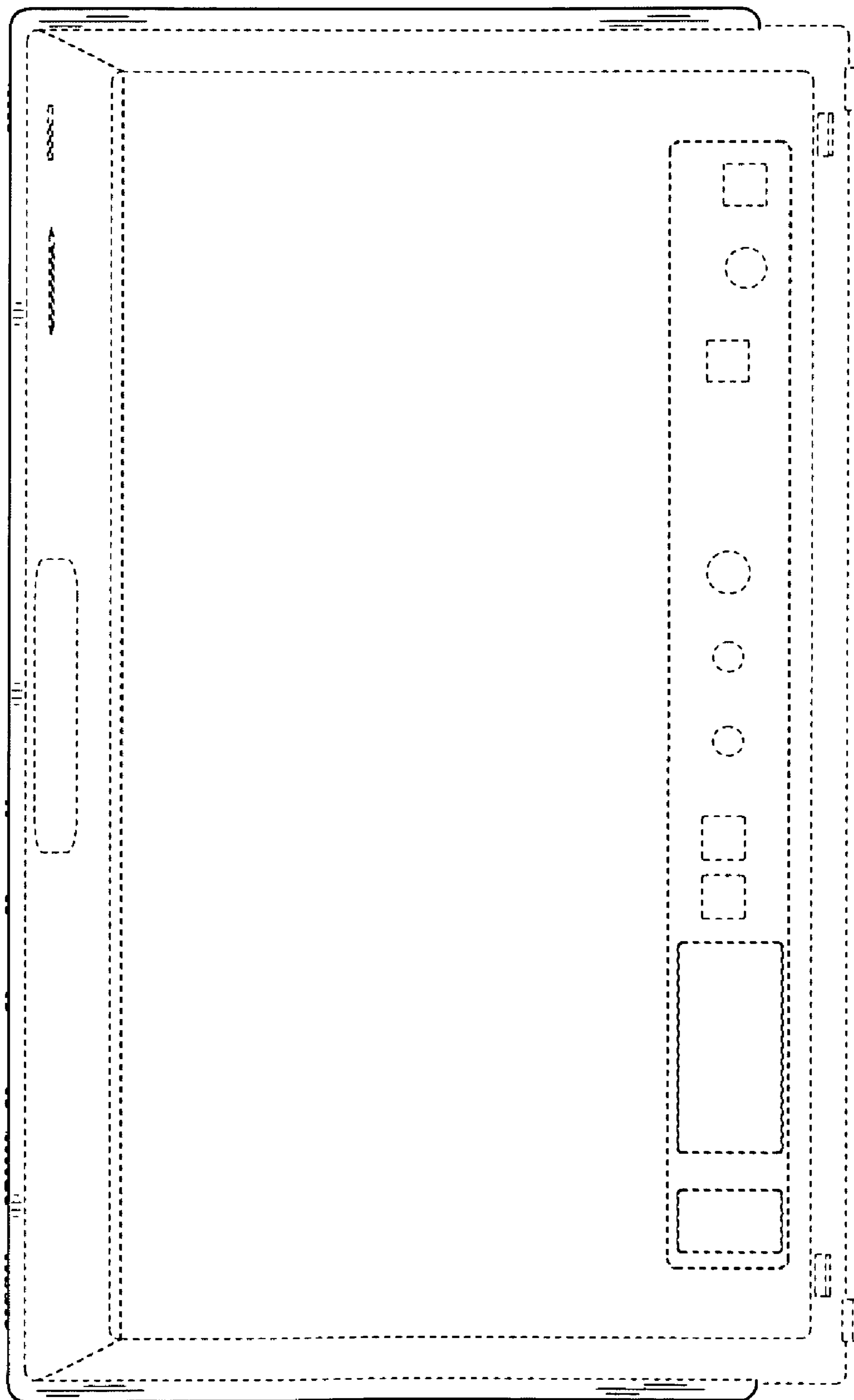


FIG.4

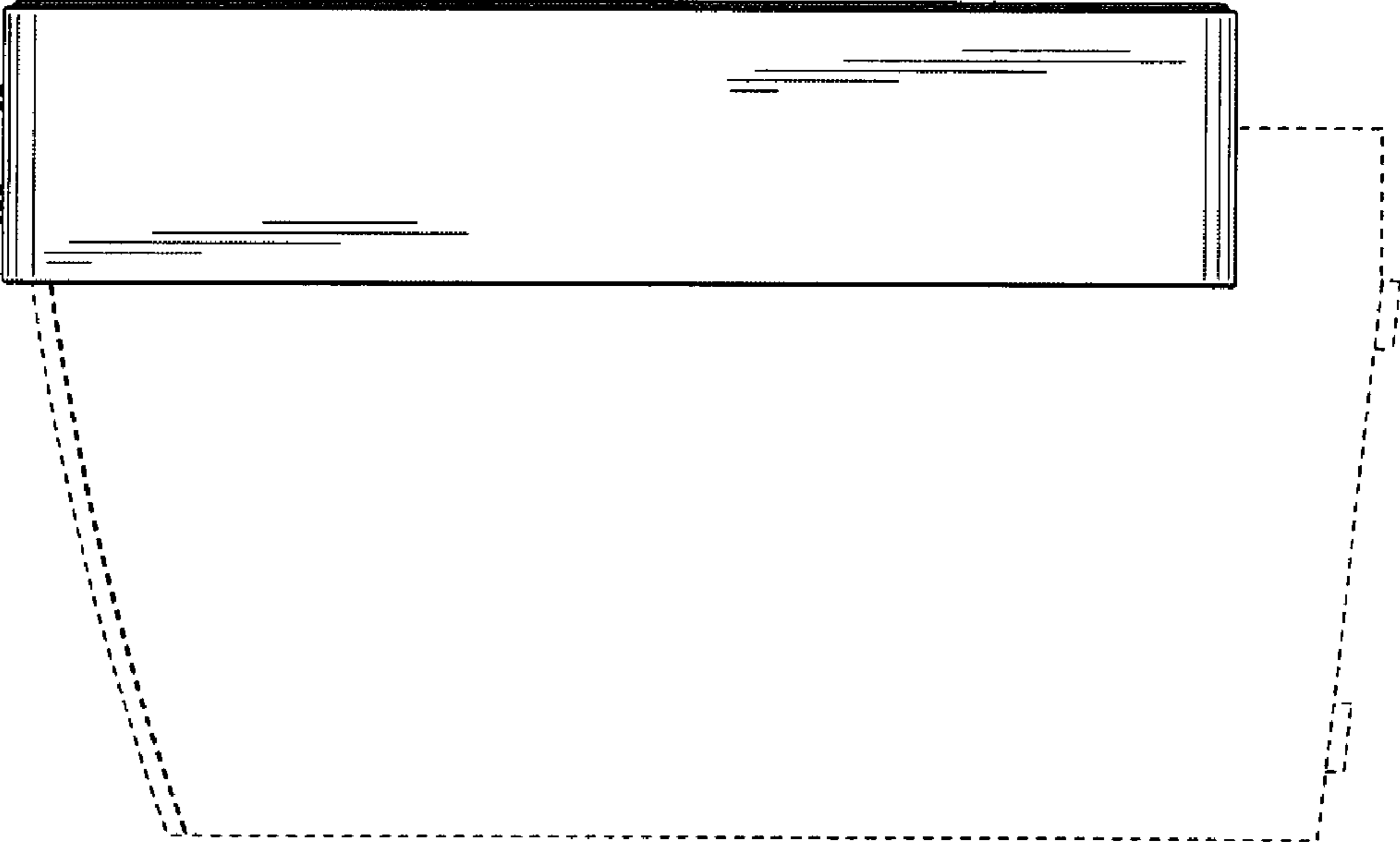


FIG. 5

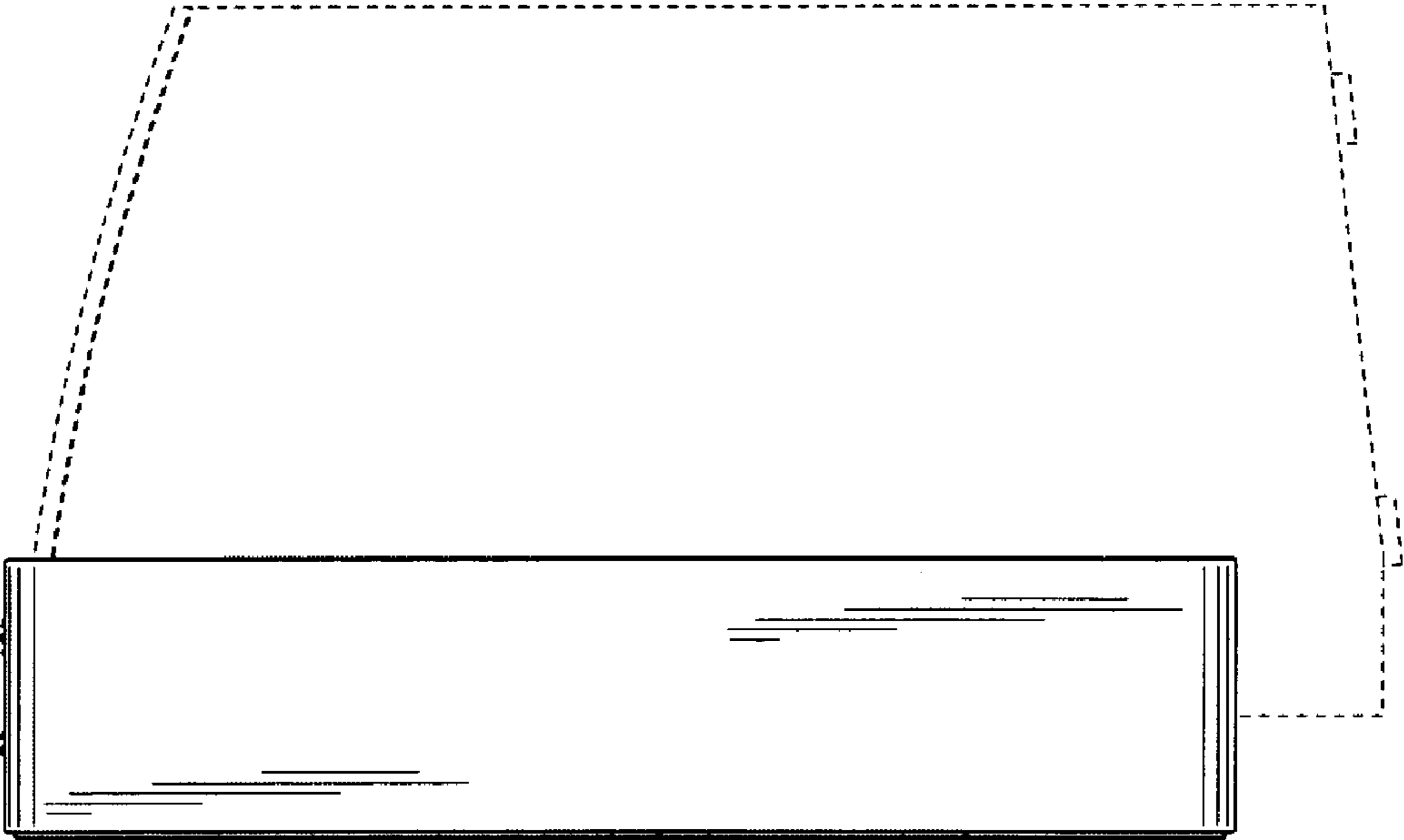


FIG.6

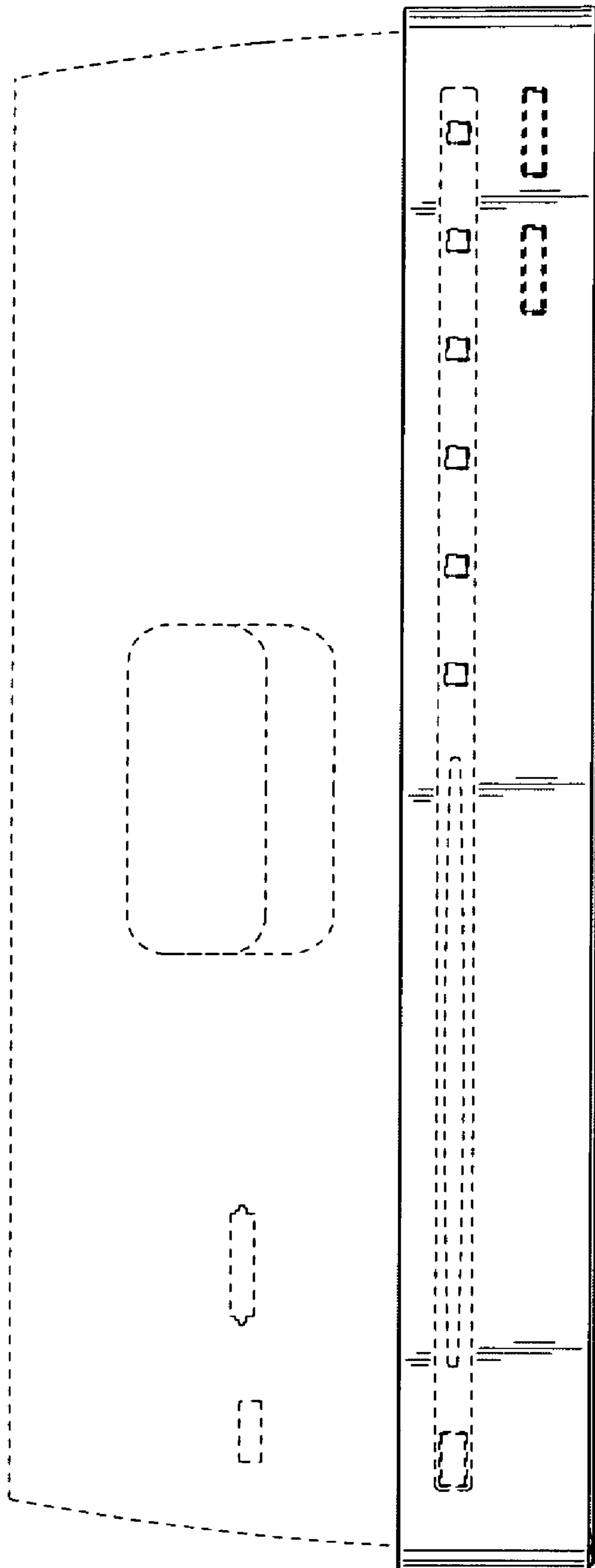


FIG.7

