



US00D628606S

(12) **United States Design Patent**
Kanai

(10) **Patent No.:** **US D628,606 S**
(45) **Date of Patent:** **** Dec. 7, 2010**

(54) **SEWING MACHINE**

(75) Inventor: **Takashi Kanai**, Tokyo (JP)

(73) Assignee: **Janome Sewing Machine Co., Ltd.**,
Tokyo (JP)

(**) Term: **14 Years**

(21) Appl. No.: **29/347,660**

(22) Filed: **Apr. 5, 2010**

(30) **Foreign Application Priority Data**

Oct. 14, 2009 (JP) 2009-23993

(51) **LOC (9) Cl.** **15-06**

(52) **U.S. Cl.** **D15/70**

(58) **Field of Classification Search** D15/66-78;
112/2, 63, 217.1-217.4, 255-261, 475.01;
D21/527

See application file for complete search history.

(56) **References Cited**

U.S. PATENT DOCUMENTS

D383,764 S * 9/1997 Ueyama D15/70
D434,781 S * 12/2000 Kawaguchi D15/69
D450,720 S * 11/2001 Kuroki D15/69
D450,722 S * 11/2001 Kawaguchi D15/69
D474,208 S * 5/2003 Kawaguchi D15/69

D504,444 S * 4/2005 Kuroki D15/69
D504,692 S * 5/2005 Kuroki D15/69
D520,027 S * 5/2006 Kuroki D15/69
D520,528 S * 5/2006 Kuroki et al. D15/69
D524,829 S * 7/2006 Muto D15/69

* cited by examiner

Primary Examiner—Shanda C Hill

(74) *Attorney, Agent, or Firm*—McGinn IP Law Group,
PLLC

(57) **CLAIM**

The ornamental design for a sewing machine, as shown and described.

DESCRIPTION

FIG. 1 is a front perspective view of a sewing machine showing my design;

FIG. 2 is a front perspective view of FIG. 1 shown with the cover removed;

FIG. 3 is a front elevational of the sewing machine;

FIG. 4 is a rear elevational view thereof;

FIG. 5 is a left side elevational view thereof;

FIG. 6 is a right side elevational view thereof;

FIG. 7 is a top plan view thereof; and,

FIG. 8 is a bottom plan view thereof.

1 Claim, 8 Drawing Sheets

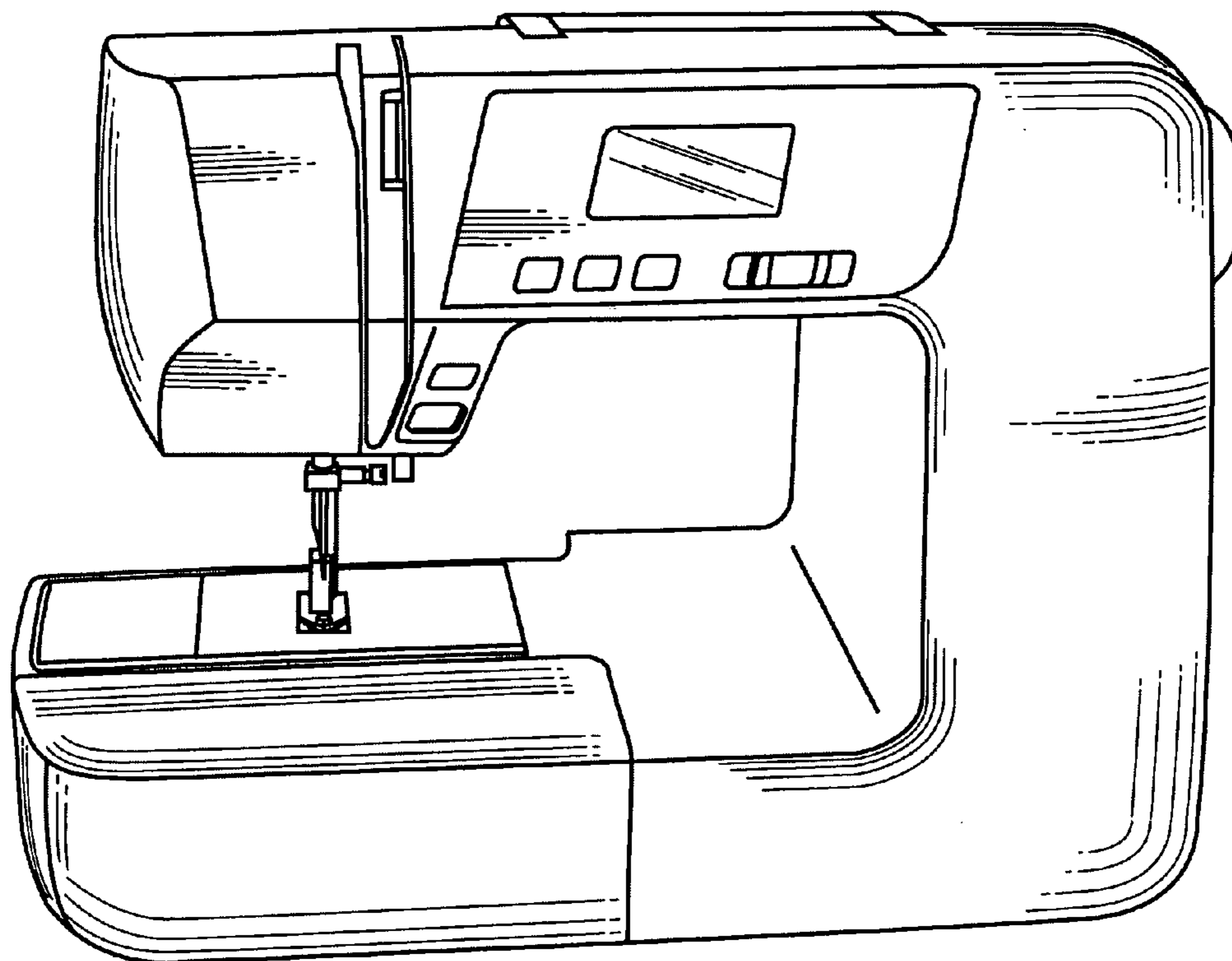
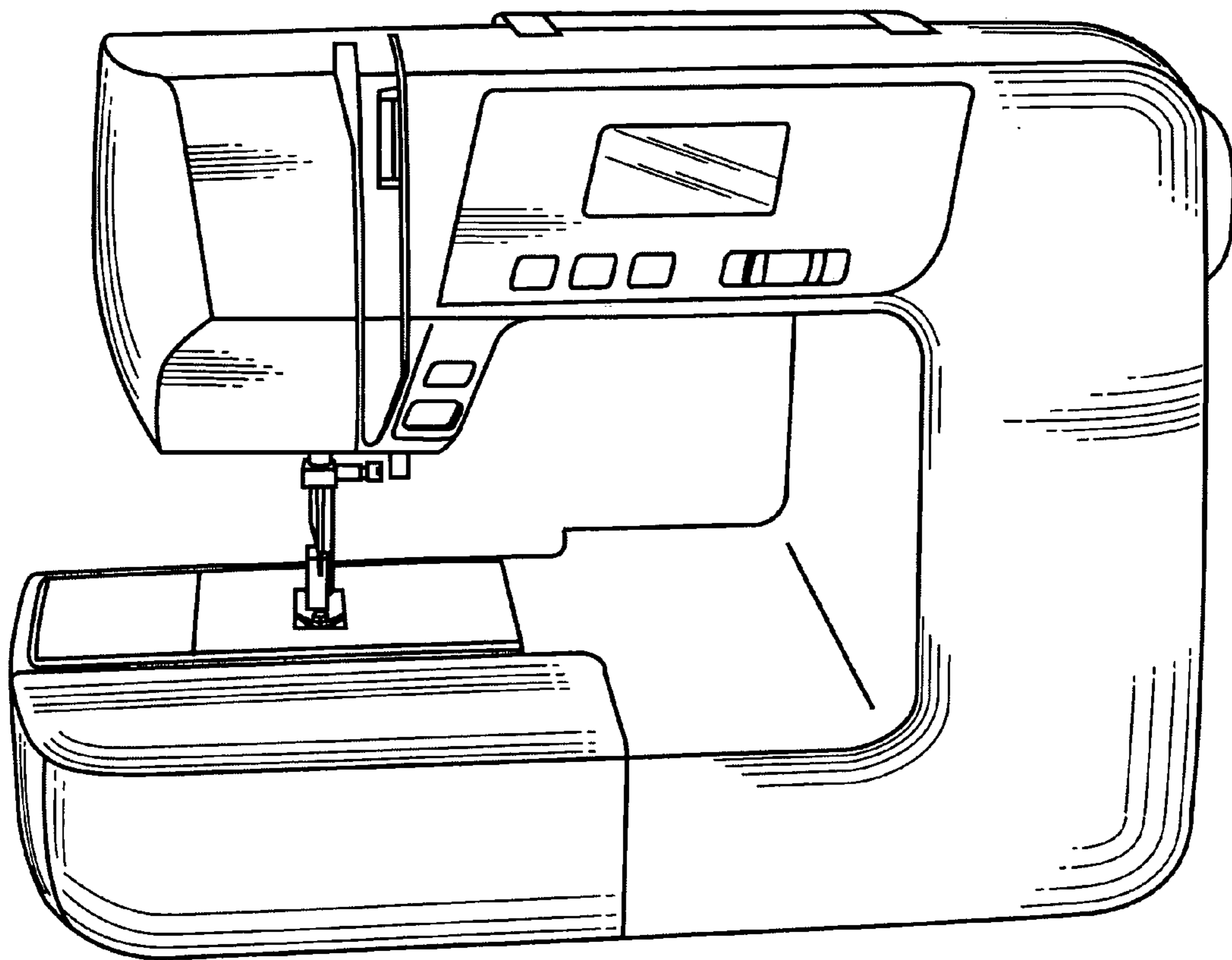
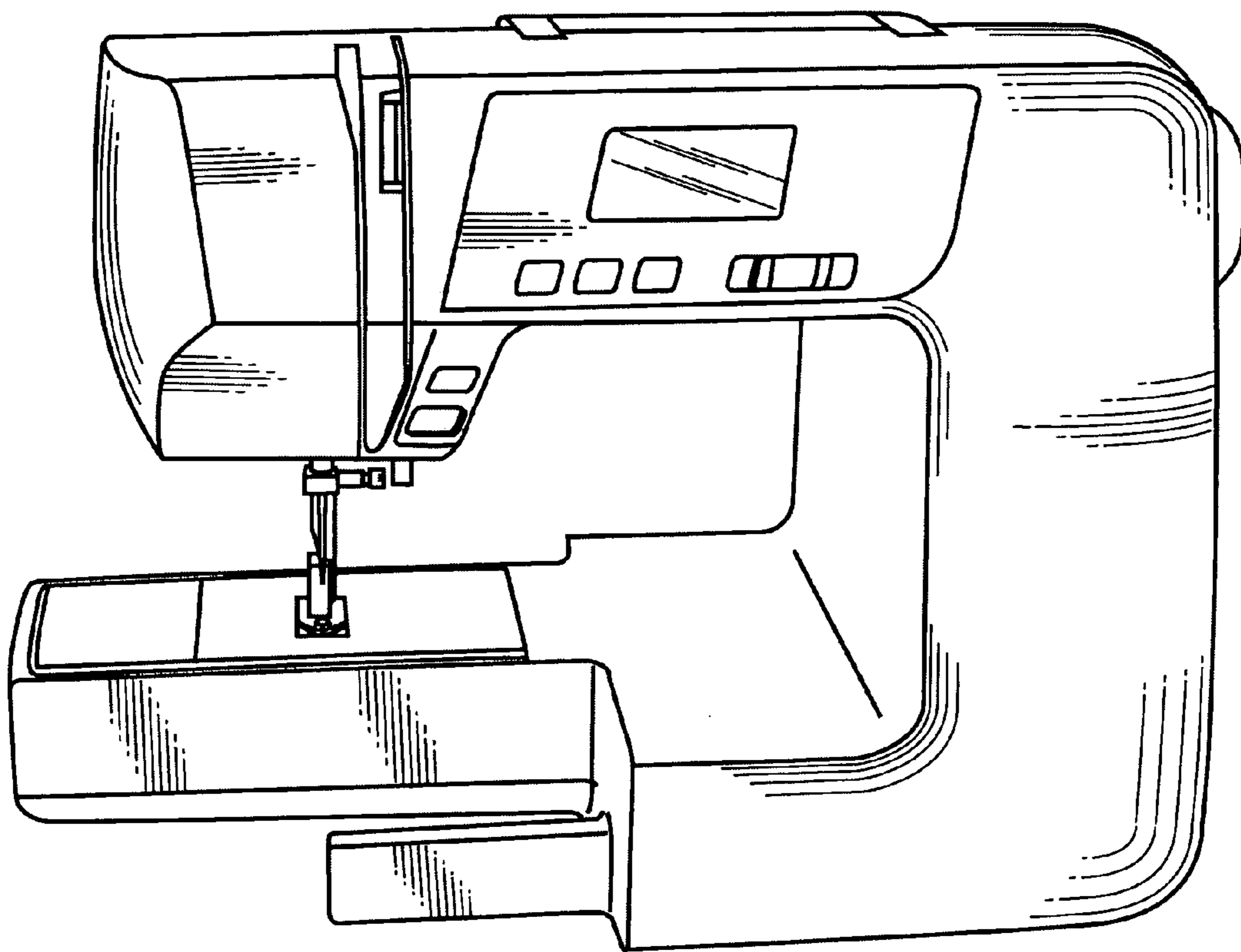


Fig. 1



F i g . 2



F i g . 3

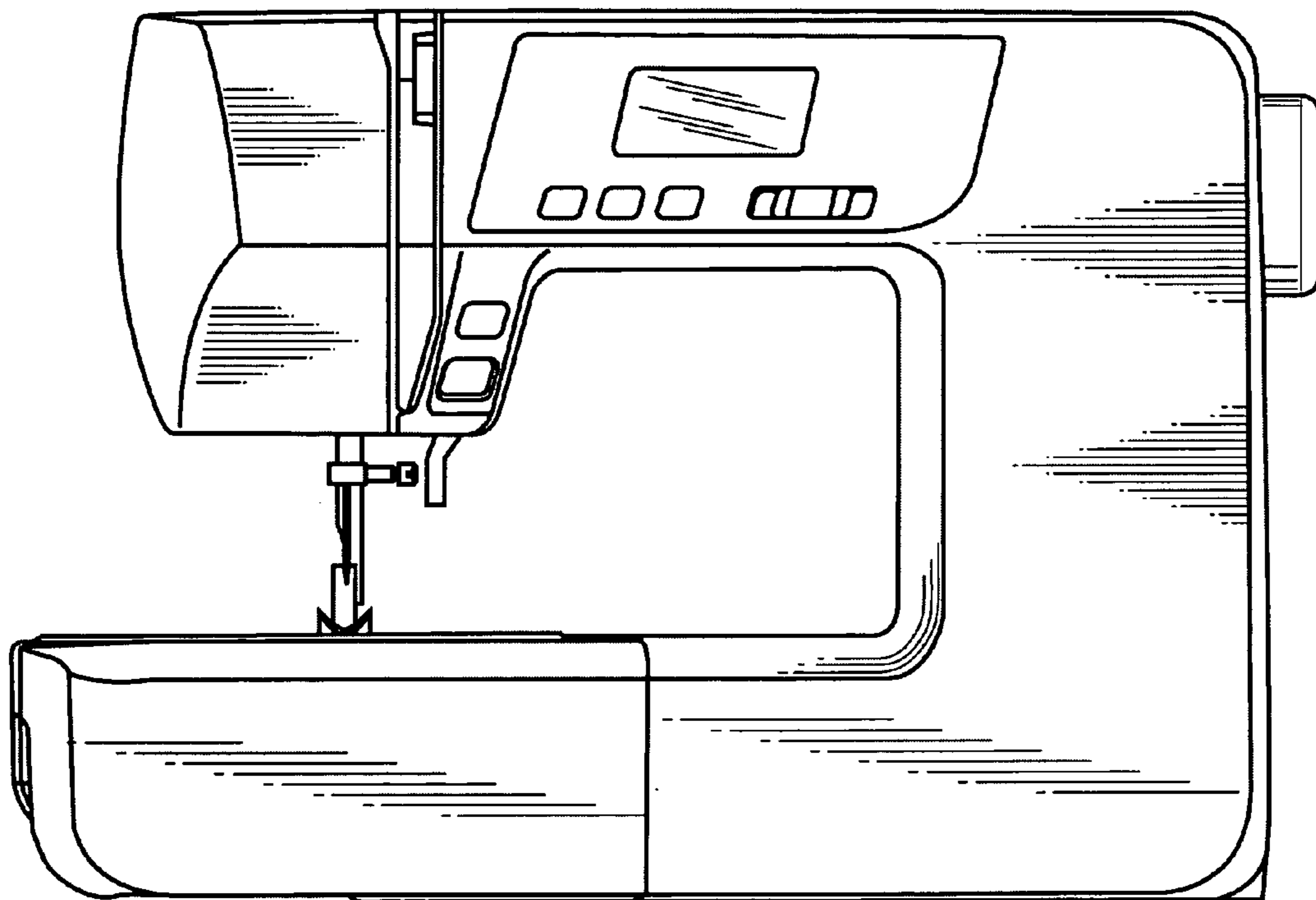
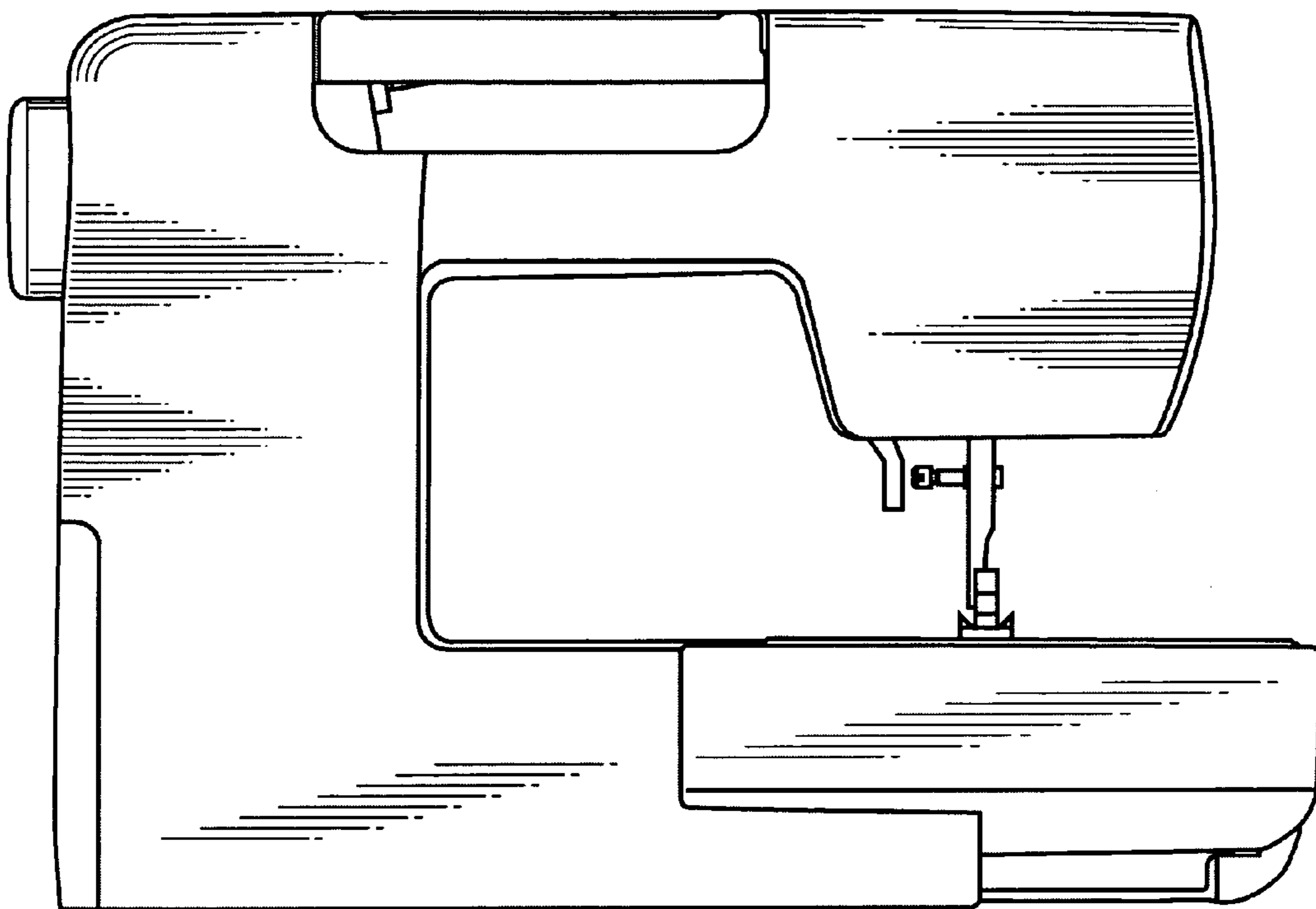


Fig. 4



F i g . 5

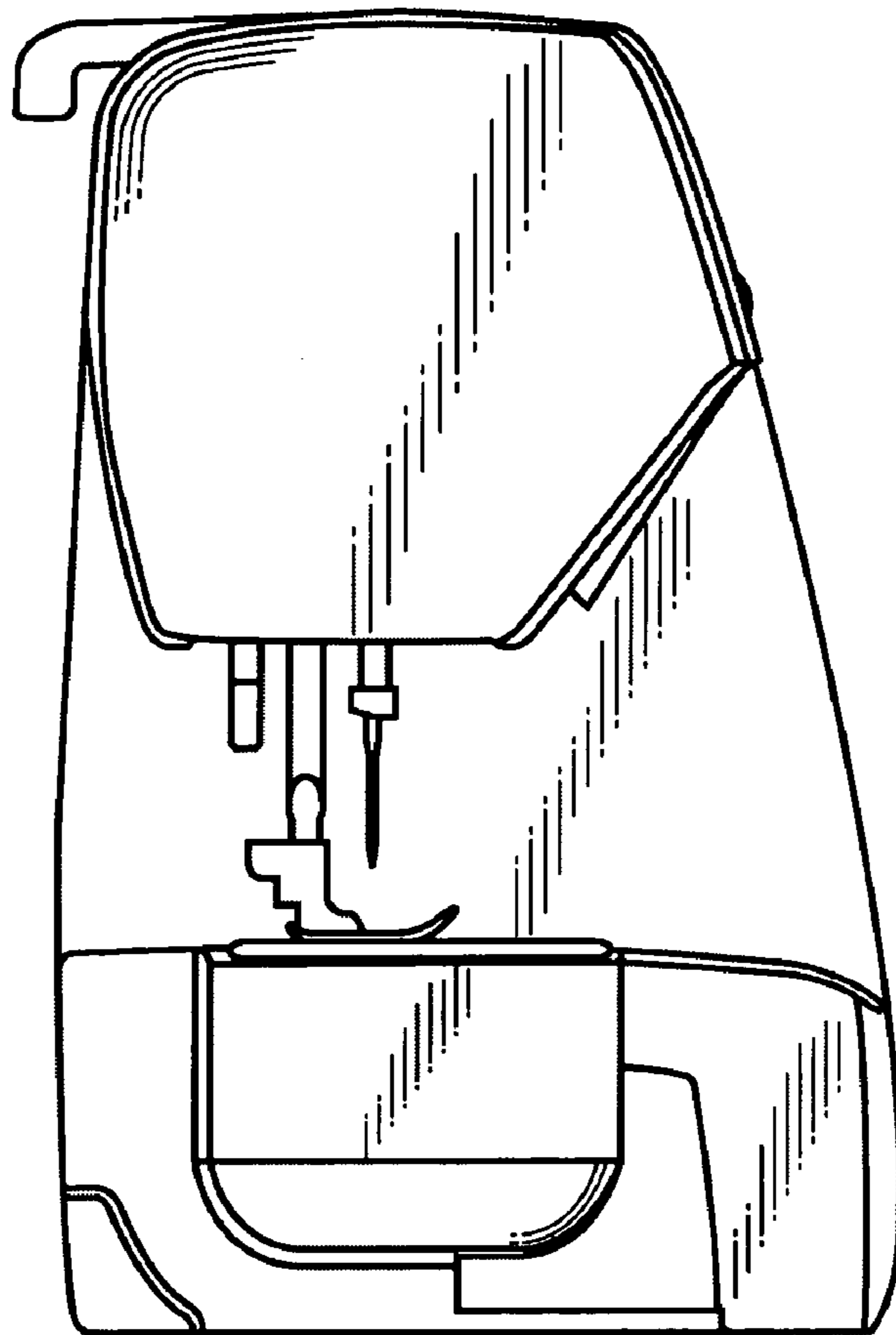
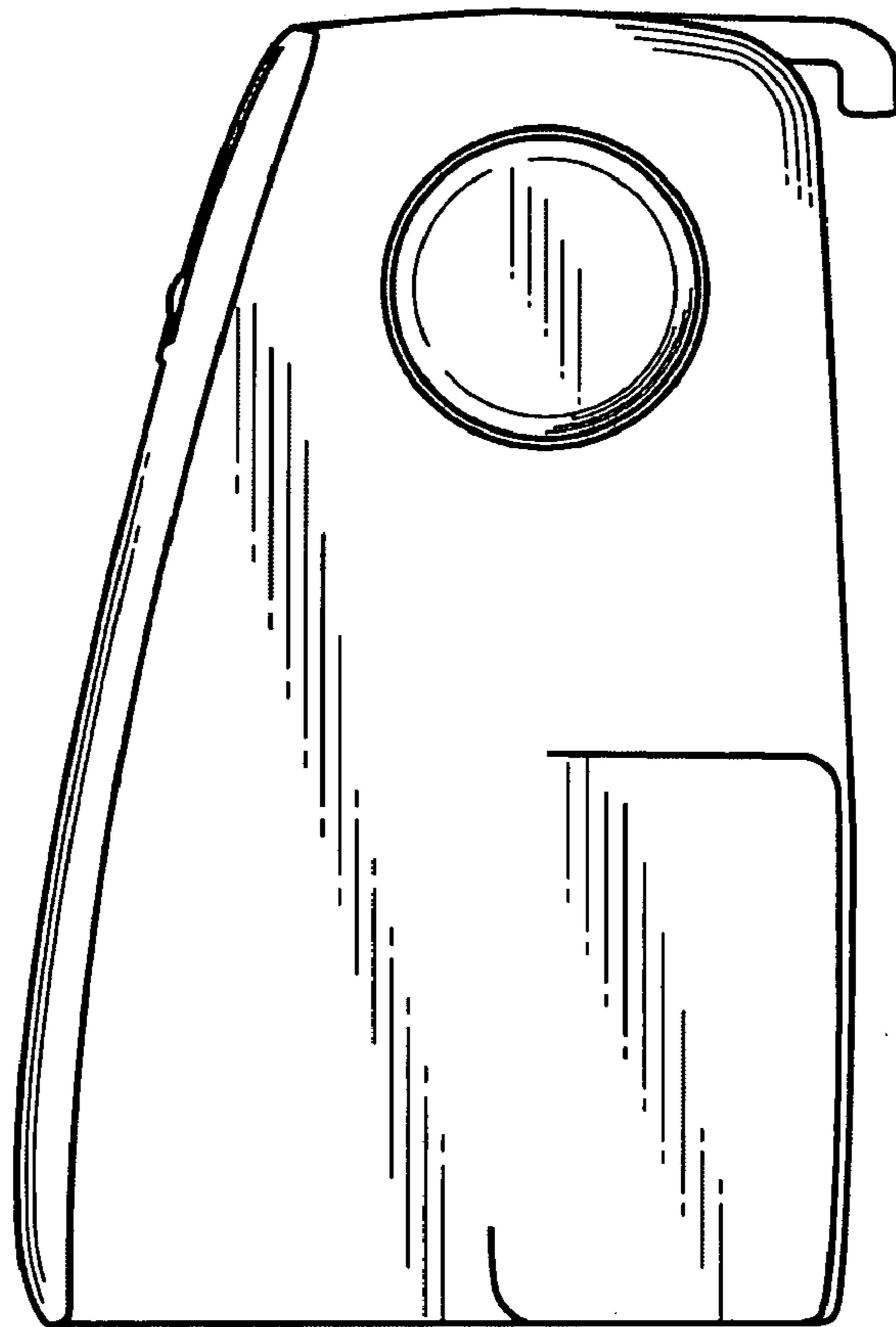


Fig. 6



F i g . 7

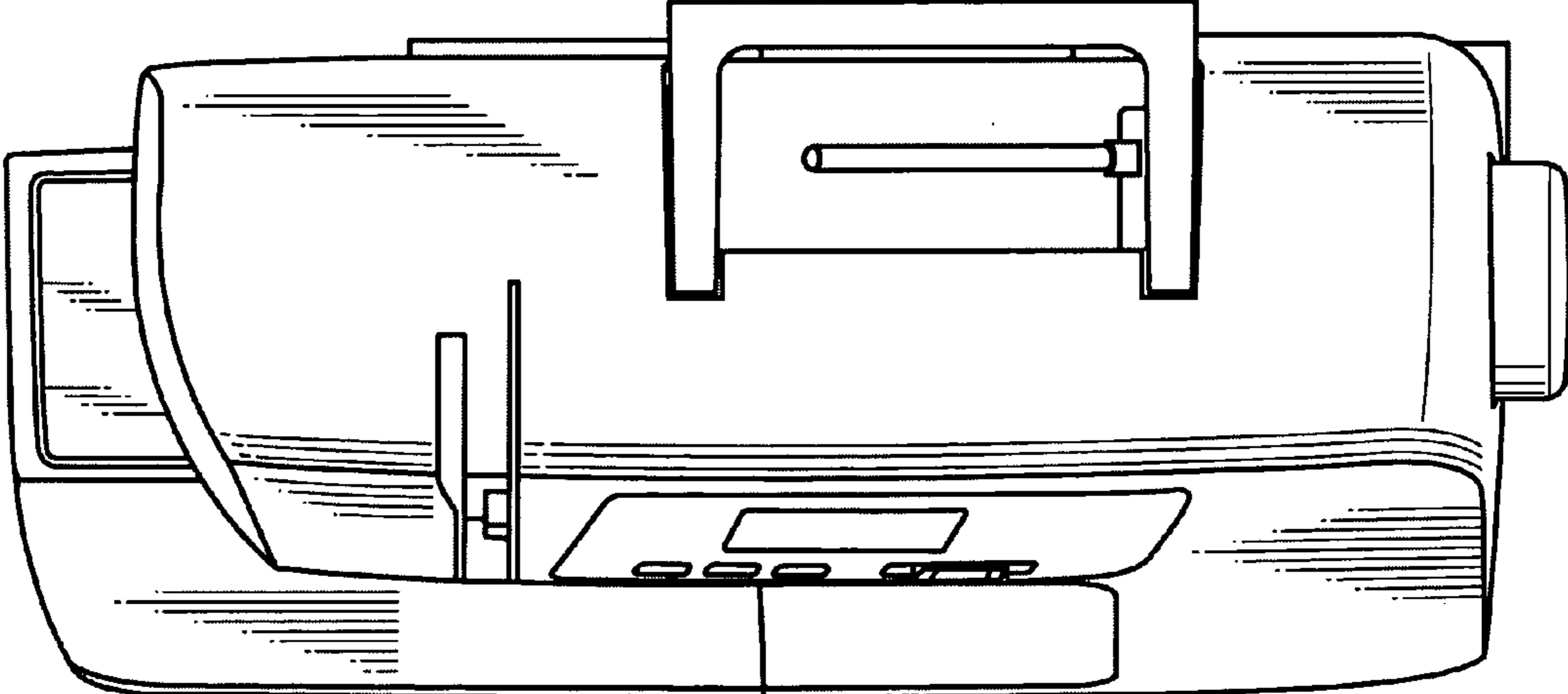


Fig. 8

