



US00D628605S

(12) **United States Design Patent**
Mutoh

(10) **Patent No.:** **US D628,605 S**
(45) **Date of Patent:** **** Dec. 7, 2010**

(54) **SEWING MACHINE**

(75) Inventor: **Hideki Mutoh**, Tokyo (JP)

(73) Assignee: **Janome Sewing Machine Company Limited**, Tokyo (JP)

(**) Term: **14 Years**

(21) Appl. No.: **29/347,347**

(22) Filed: **Dec. 11, 2009**

(30) **Foreign Application Priority Data**

Jun. 23, 2009 (JP) 2009-014199

(51) **LOC (9) Cl.** **15-06**

(52) **U.S. Cl.** **D15/69**

(58) **Field of Classification Search** D15/66-78;
112/2, 63, 217.1-217.4, 255-261, 475.01;
D21/527

See application file for complete search history.

(56) **References Cited**

U.S. PATENT DOCUMENTS

- D383,764 S * 9/1997 Ueyama D15/70
- D434,781 S * 12/2000 Kawaguchi D15/69
- D450,720 S * 11/2001 Kuroki D15/69
- D450,722 S * 11/2001 Kawaguchi D15/69
- D474,208 S * 5/2003 Kawaguchi D15/69
- D504,444 S * 4/2005 Kuroki D15/69

- D504,692 S * 5/2005 Kuroki D15/69
- D520,027 S * 5/2006 Kuroki D15/69
- D520,528 S * 5/2006 Kuroki et al. D15/69
- D524,829 S * 7/2006 Muto D15/69

* cited by examiner

Primary Examiner—Shanda C Hill

(74) *Attorney, Agent, or Firm*—Jacobson Holman PLLC

(57) **CLAIM**

The ornamental design for a sewing machine, as shown and described.

DESCRIPTION

FIG. 1 is a front perspective view showing my new design for a sewing machine,

FIG. 2 is another front perspective view thereof,

FIG. 3 is a rear view thereof,

FIG. 4 is a front view thereof,

FIG. 5 is a top view thereof,

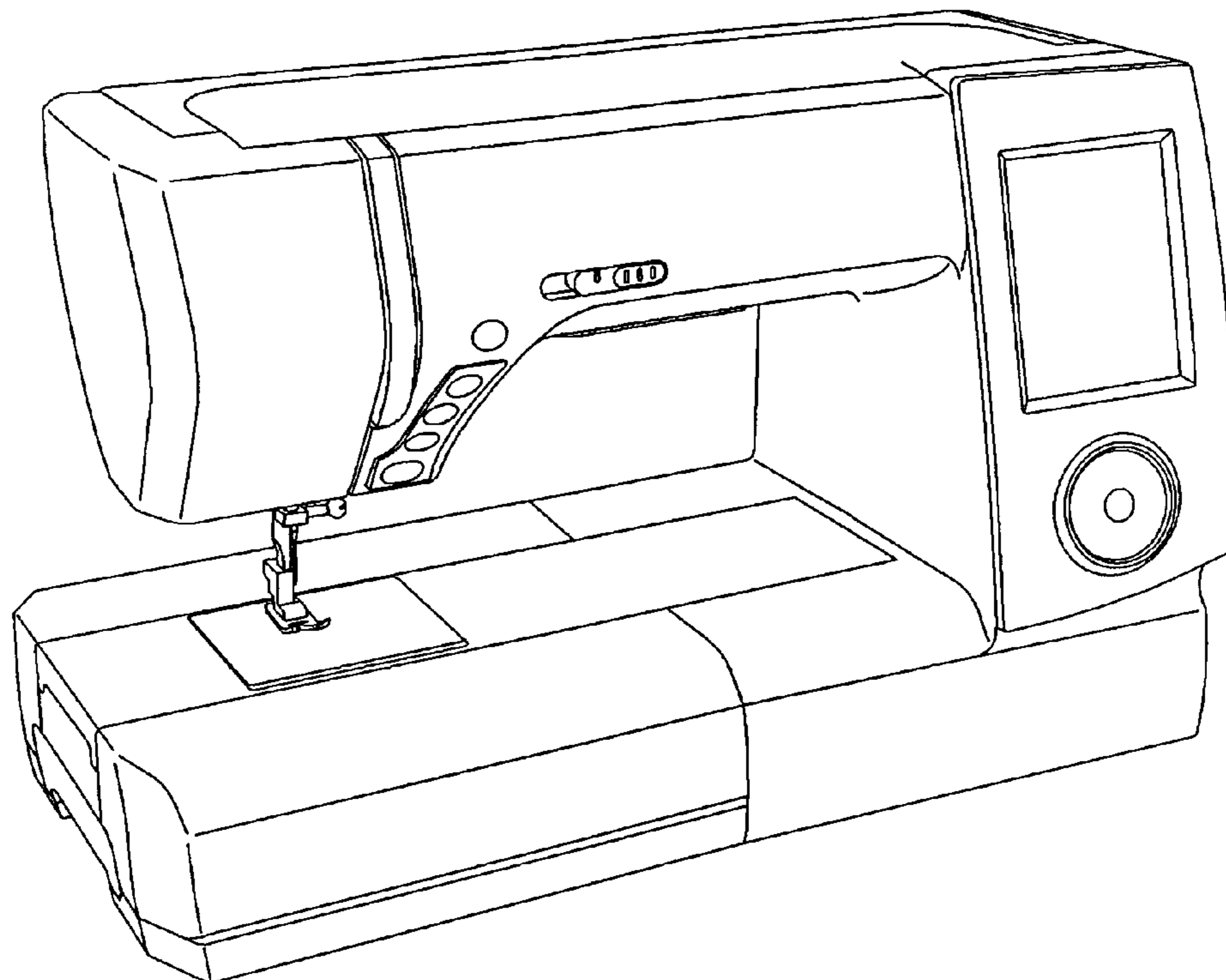
FIG. 6 is a bottom view thereof,

FIG. 7 is a left side view thereof,

FIG. 8 is a right side view thereof; and,

FIG. 9 is a front perspective view of FIG. 1 shown with the cover removed.

1 Claim, 5 Drawing Sheets



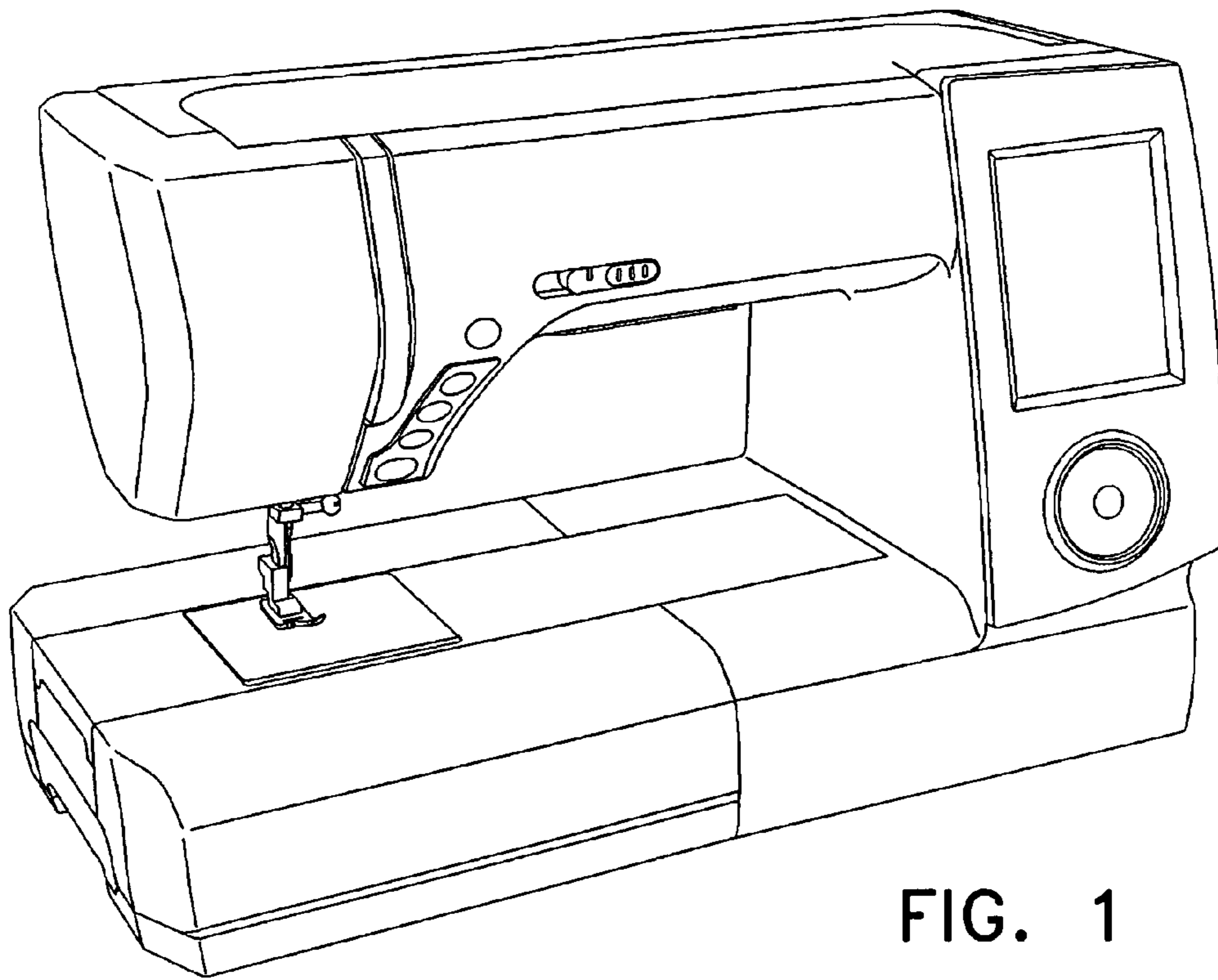


FIG. 1

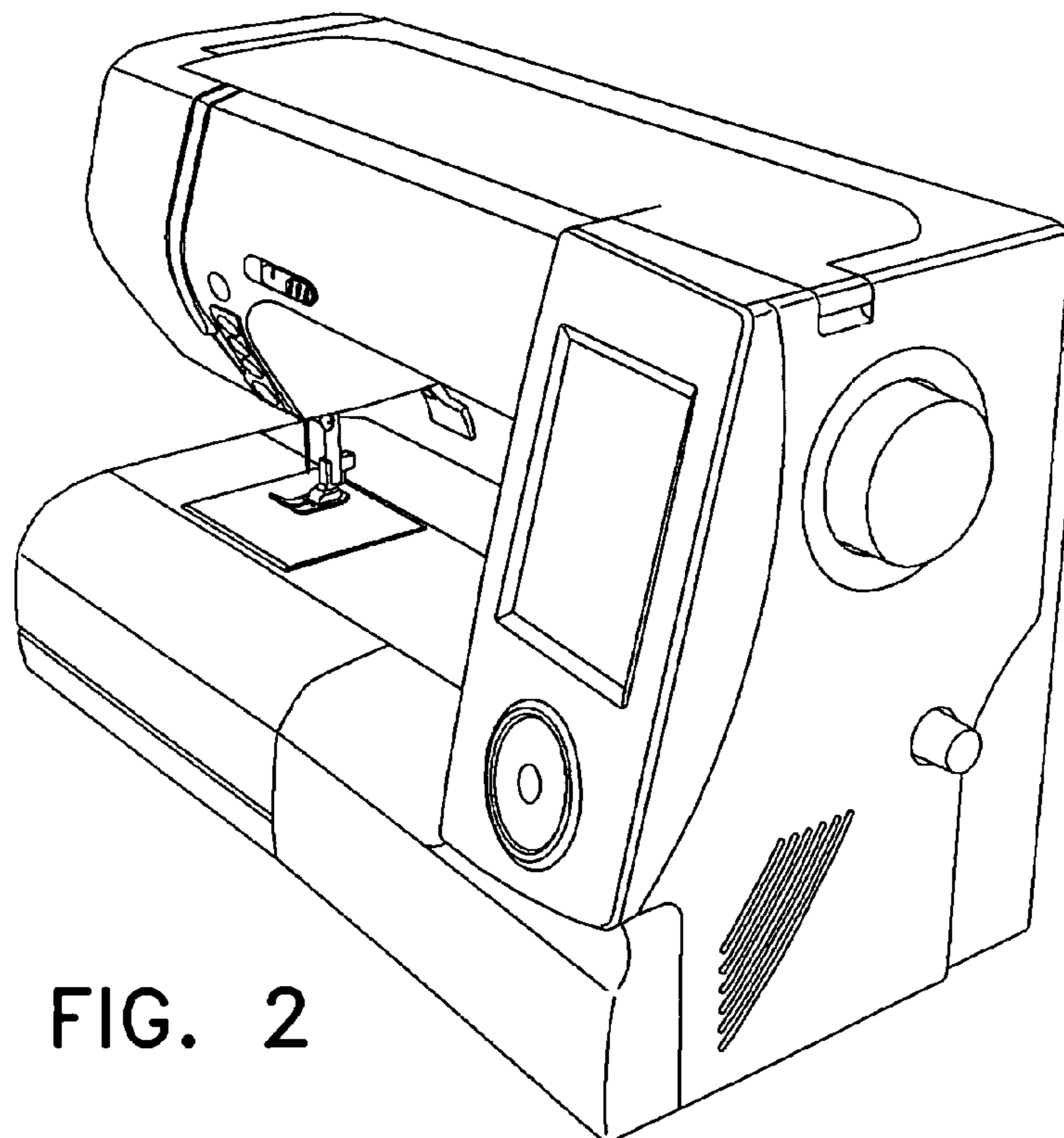


FIG. 2

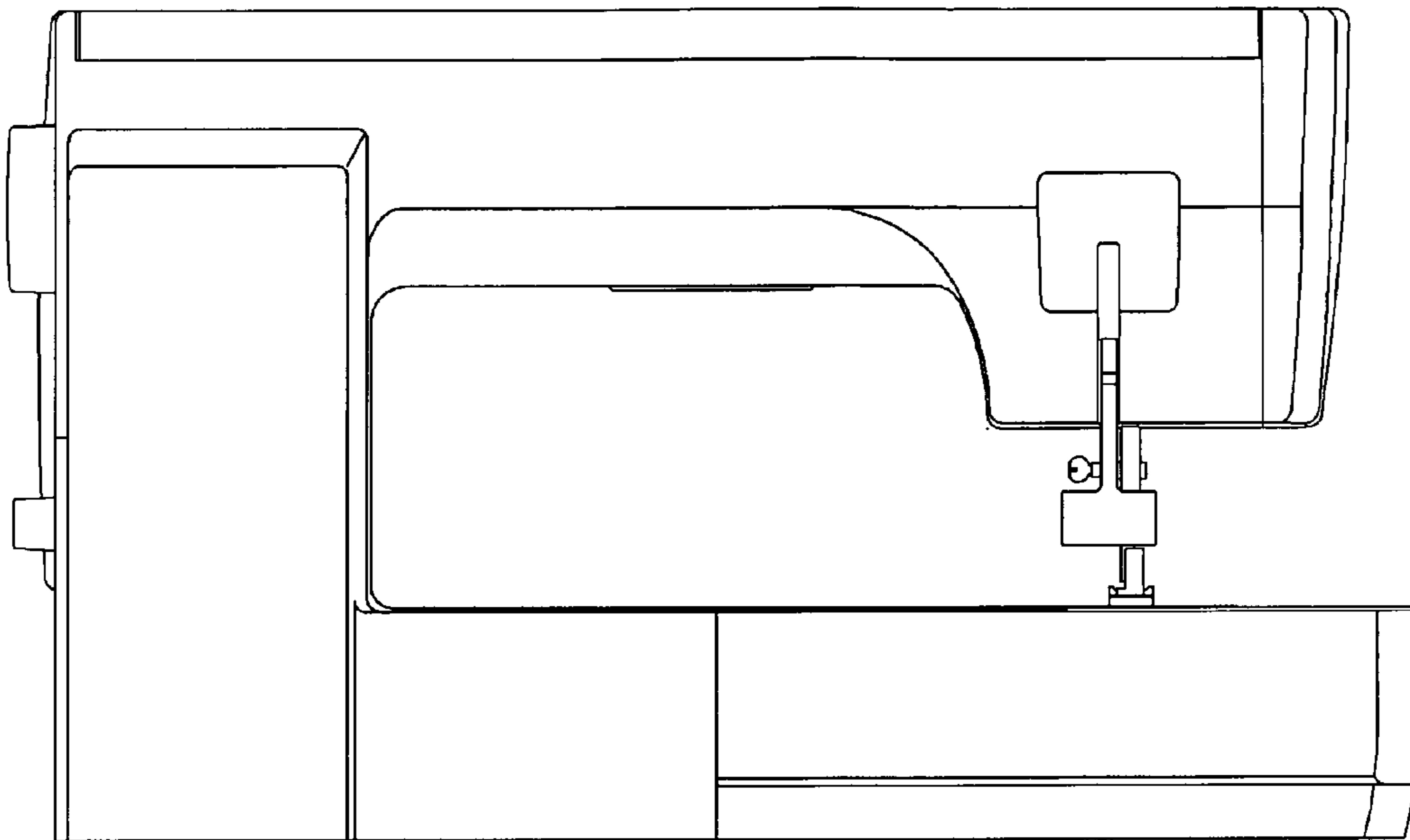


FIG. 3

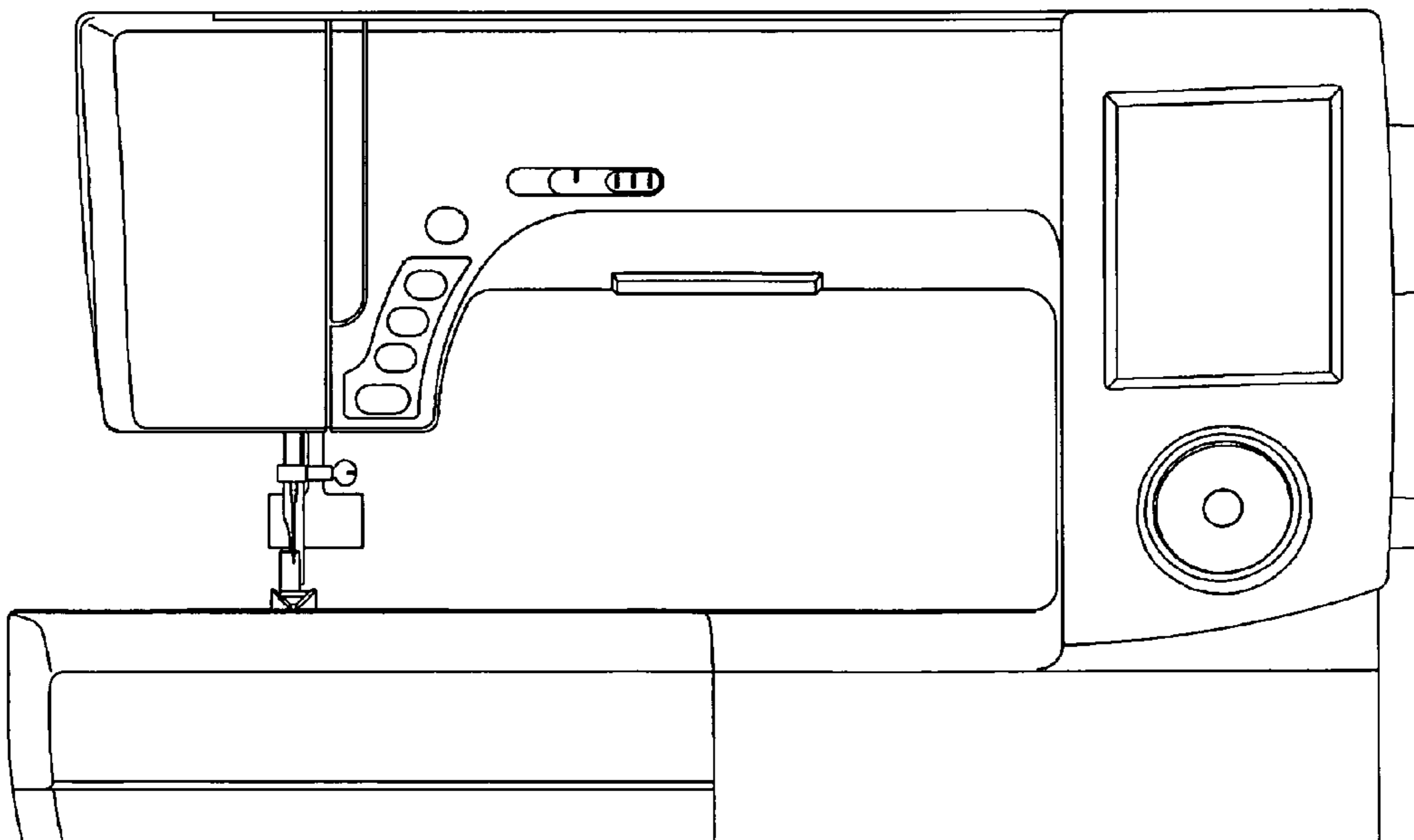


FIG. 4

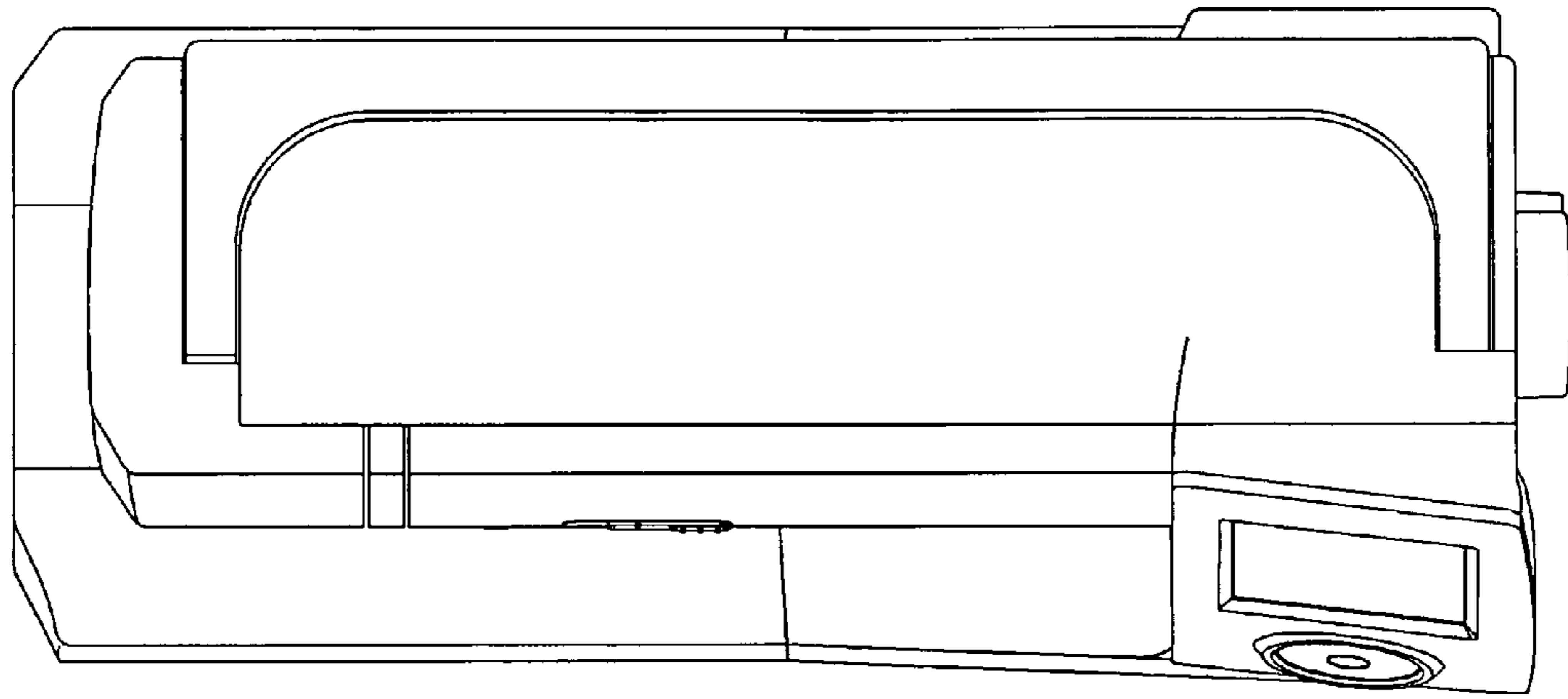


FIG. 5

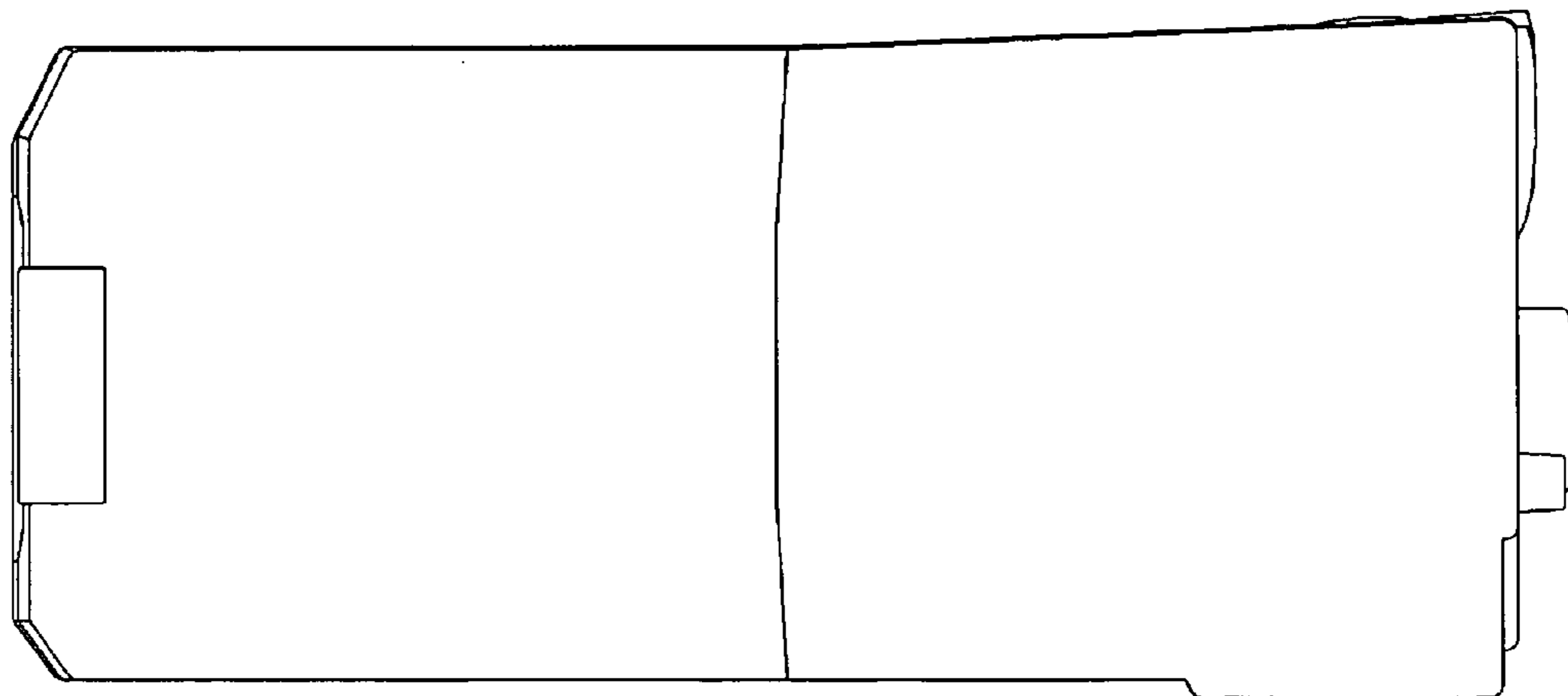


FIG. 6

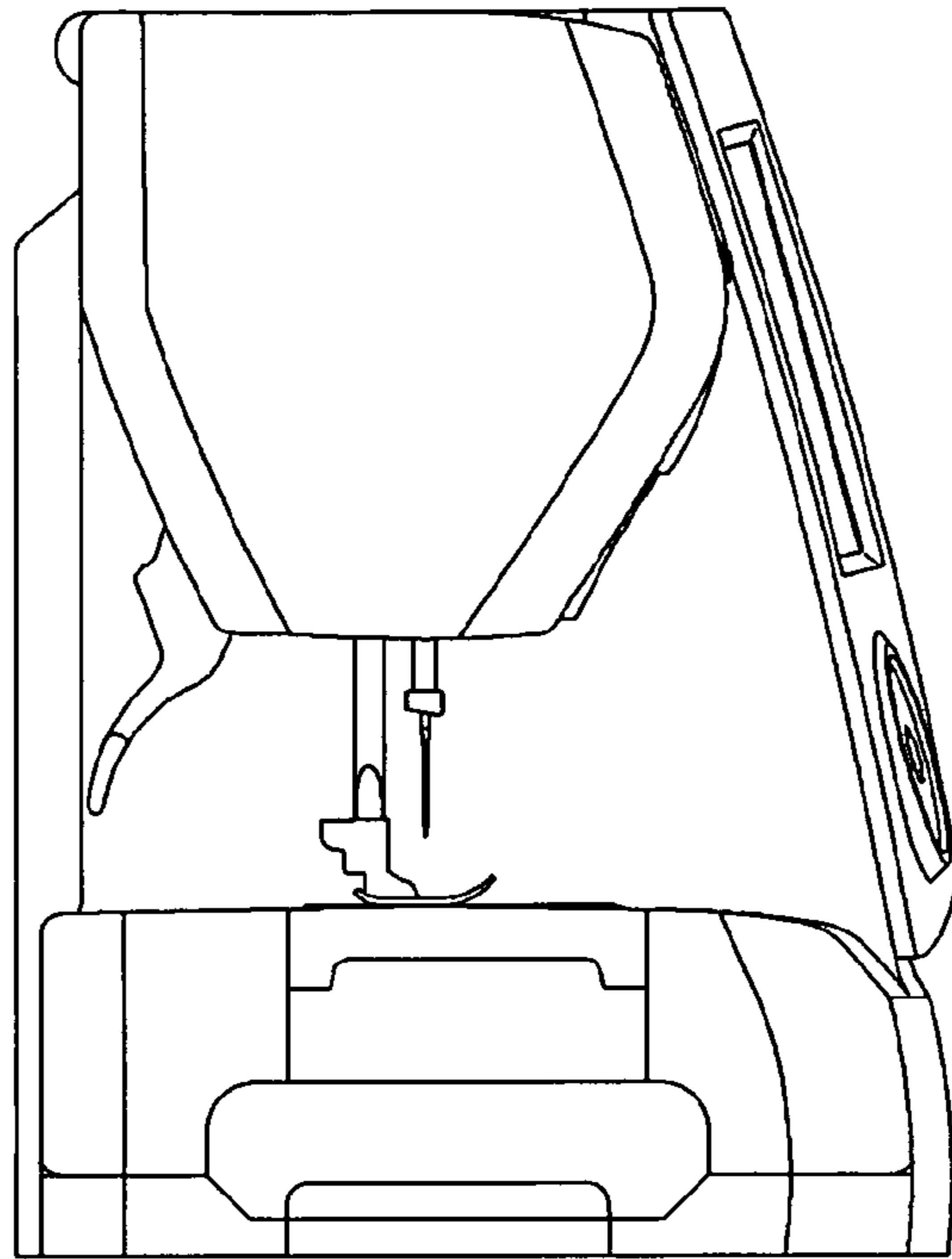


FIG. 7

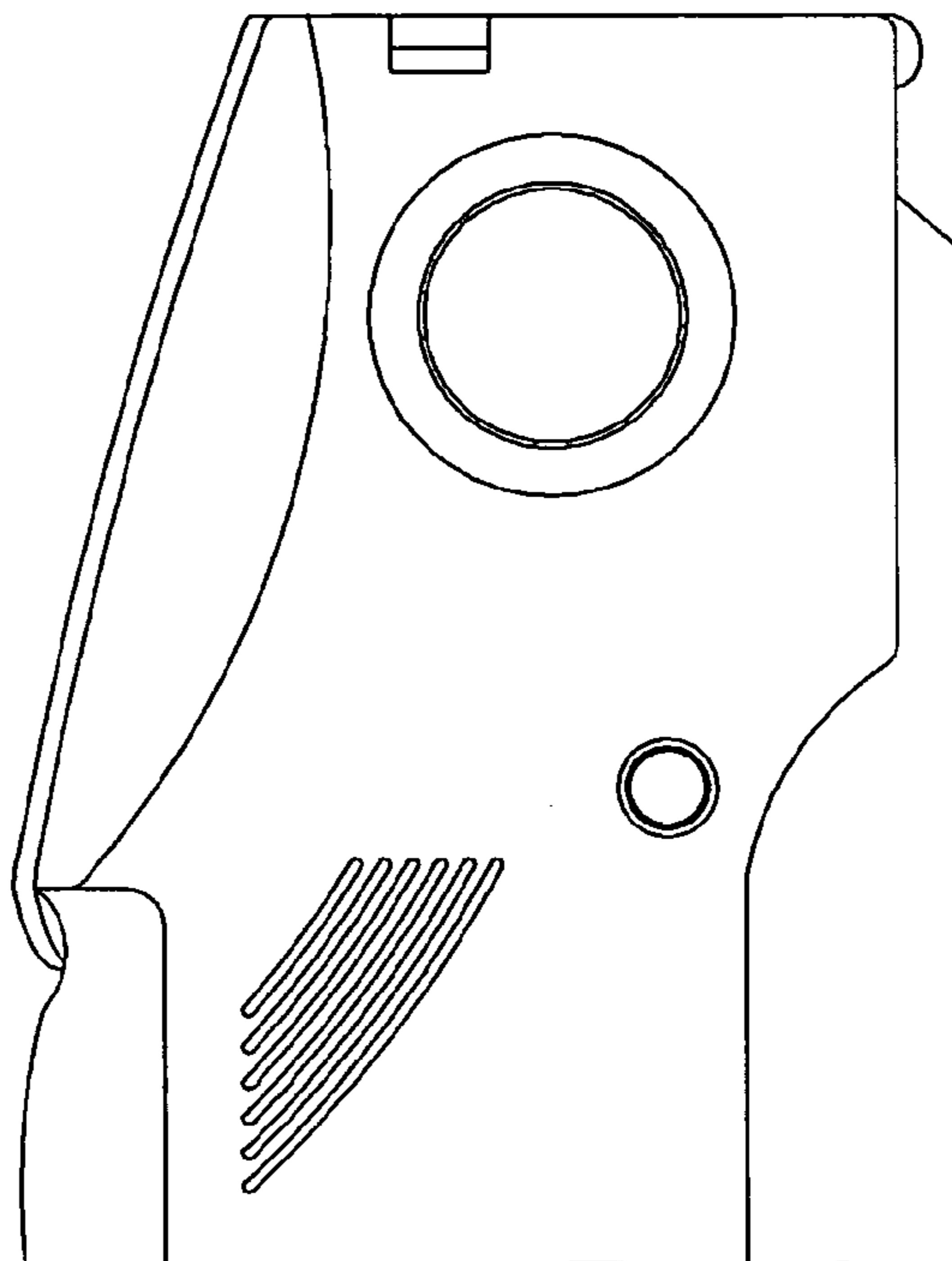


FIG. 8

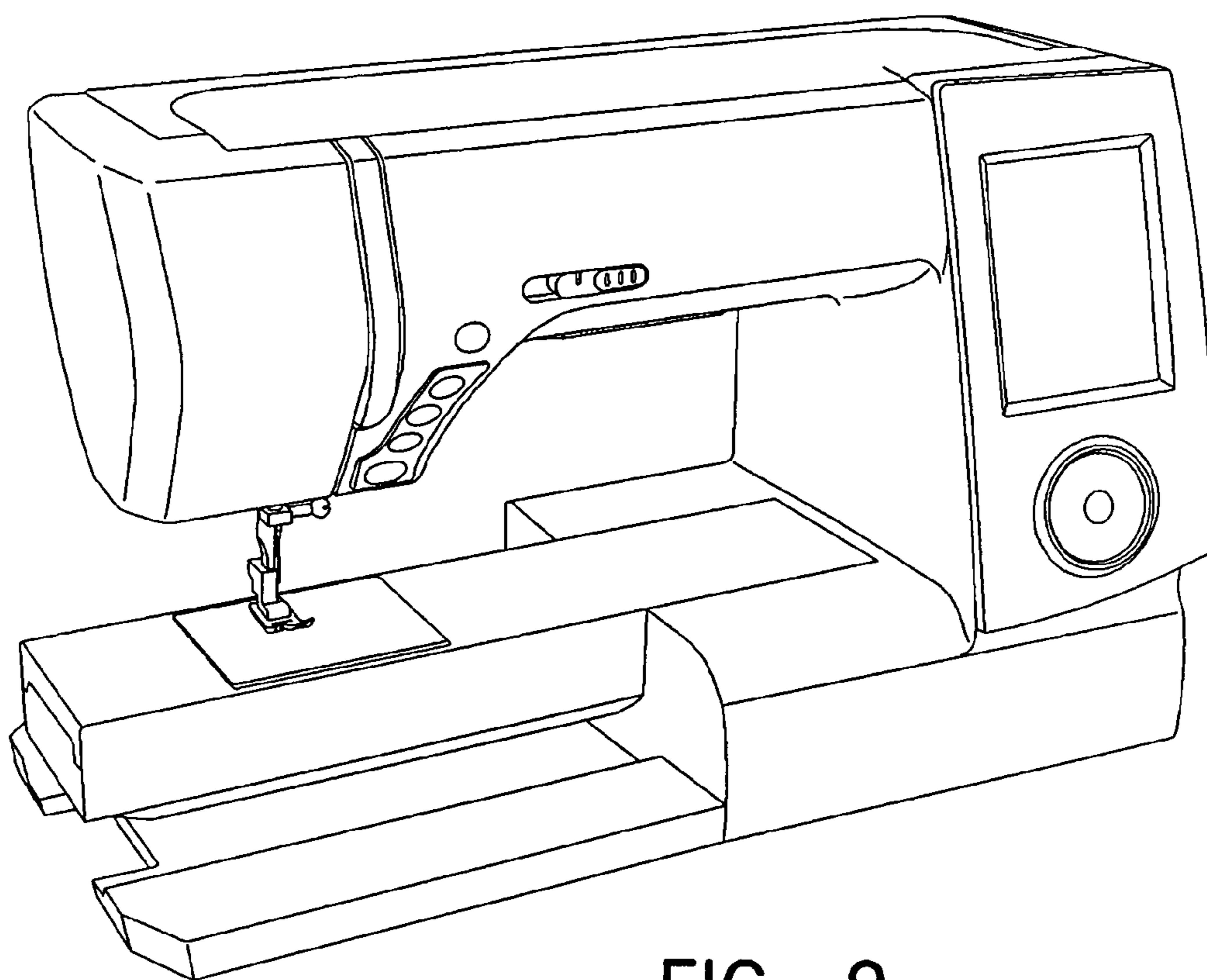


FIG. 9