



US00D628604S

(12) **United States Design Patent**
Major

(10) **Patent No.:** **US D628,604 S**

(45) **Date of Patent:** **** Dec. 7, 2010**

(54) **LOADER ARMS**

(75) Inventor: **Gary Edmund Major**, Cheshire (GB)

(73) Assignee: **J.C. Bamford Excavators Limited**,
Rocester, Utttoxeter (GB)

(**) Term: **14 Years**

(21) Appl. No.: **29/357,799**

(22) Filed: **Mar. 17, 2010**

(30) **Foreign Application Priority Data**

Sep. 17, 2009 (EM) 001612805.0002
Feb. 23, 2010 (EM) 001673385.0005

(51) **LOC (9) Cl.** **15-03**

(52) **U.S. Cl.** **D15/32; D15/28**

(58) **Field of Classification Search** D15/10,
D15/22-26, 28, 29, 32; 414/686, 694, 722,
414/718, 815, 723, 685; 37/341, 407
See application file for complete search history.

(56) **References Cited**

U.S. PATENT DOCUMENTS

3,283,928 A * 11/1966 De Bosredon 414/694
3,313,431 A * 4/1967 Kelly 414/694
4,029,225 A * 6/1977 Wirt 414/694
4,264,264 A * 4/1981 McMillan et al. 414/686
4,576,543 A * 3/1986 Kuchyt et al. 414/722
4,798,511 A * 1/1989 Kaczmarczyk et al. 414/686
5,054,990 A * 10/1991 Schaeff 414/694
5,261,780 A * 11/1993 Perry 414/723
5,531,561 A * 7/1996 Rae et al. 414/686
5,606,809 A * 3/1997 Allen 37/443

5,885,050 A * 3/1999 Kim 414/713
D451,105 S * 11/2001 Masumoto et al. D15/28
D584,749 S * 1/2009 Smith et al. D15/28
7,549,242 B2 * 6/2009 Schmeling et al. 37/443
D595,746 S * 7/2009 Iida et al. D15/32
D610,172 S * 2/2010 Yukino et al. D15/32
2004/0000077 A1 * 1/2004 Fatemi 37/468
2006/0107557 A1 * 5/2006 Fatemi 37/466
2006/0254096 A1 * 11/2006 Poire 37/468
2007/0031233 A1 * 2/2007 Frey 414/685
2008/0063502 A1 * 3/2008 Nilsson 414/685

* cited by examiner

Primary Examiner—Mark A Goodwin

(74) *Attorney, Agent, or Firm*—Goodman, Allen & Filetti
PLLC

(57) **CLAIM**

The ornamental design for loader arms, as shown and described.

DESCRIPTION

FIG. 1 is a left front perspective view of the loader arms showing my new design in use condition.

FIG. 2 is a front view thereof.

FIG. 3 is a right front prespective view thereof.

FIG. 4 is a right side elevational view thereof.

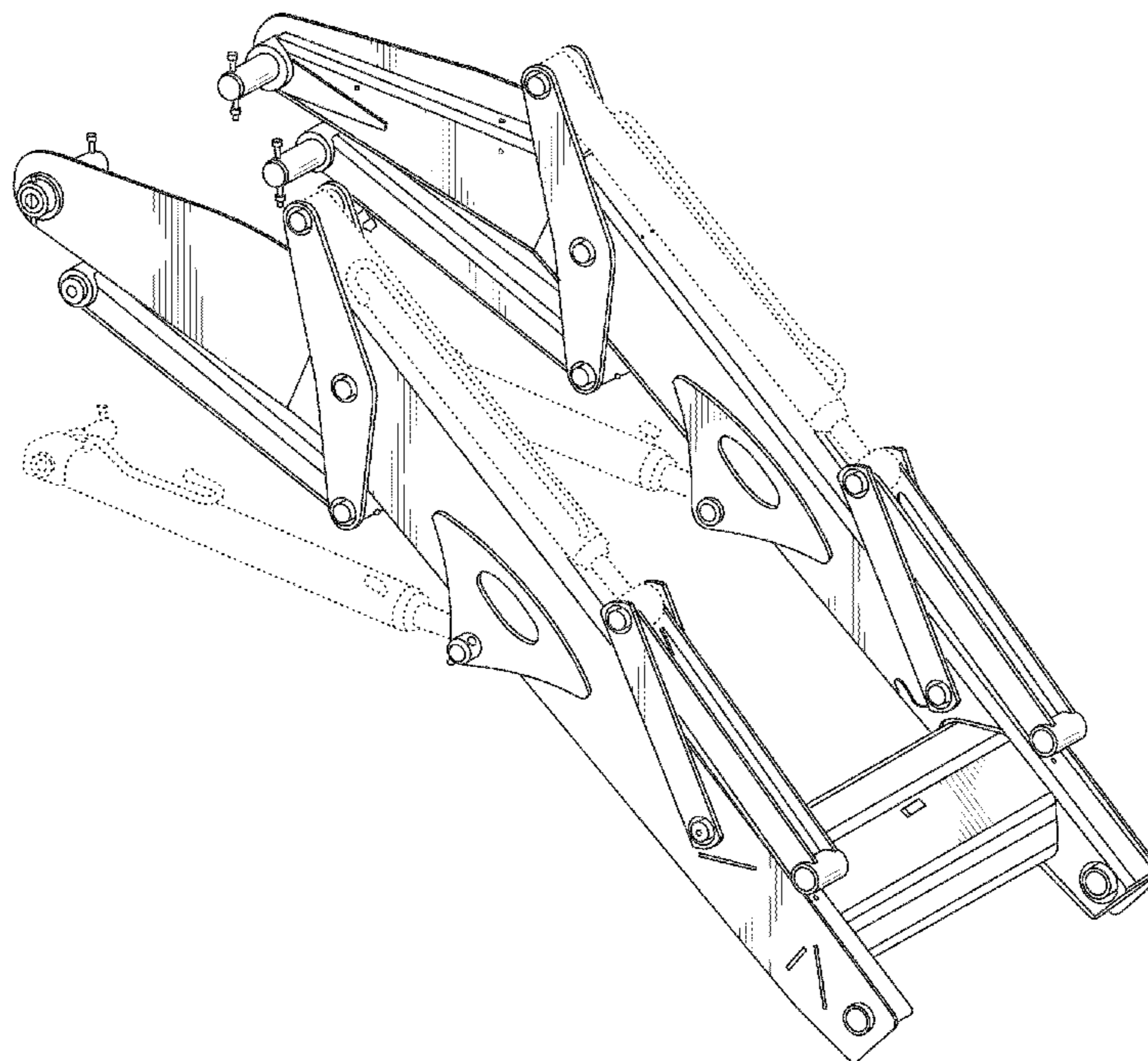
FIG. 5 is a rear view thereof.

FIG. 6 is a left side elevational view thereof; and,

FIG. 7 is a left front prespective view thereof.

The broken line showing the machine and actuators in the drawings forms no part of the claimed design.

1 Claim, 7 Drawing Sheets



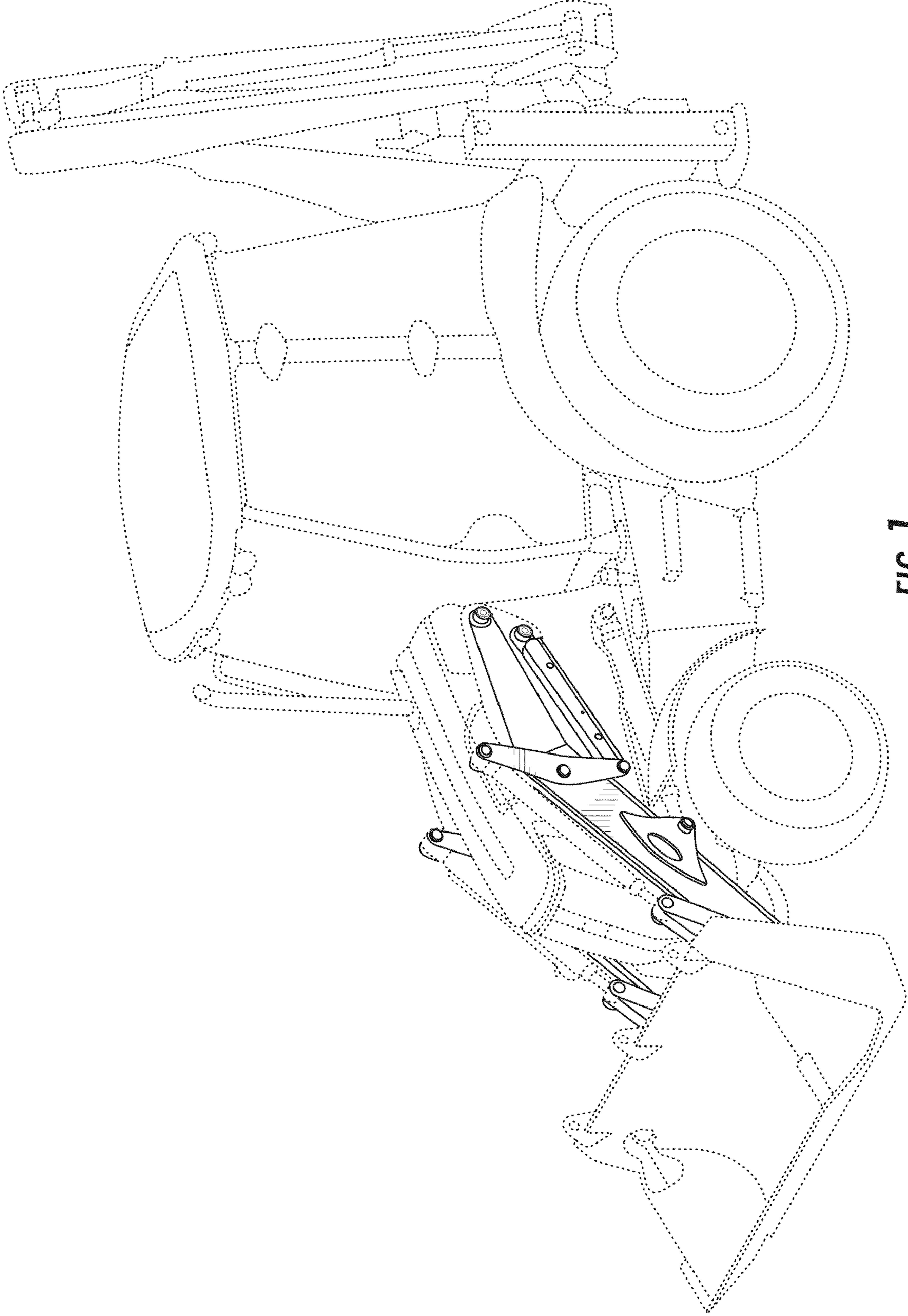


FIG. 1

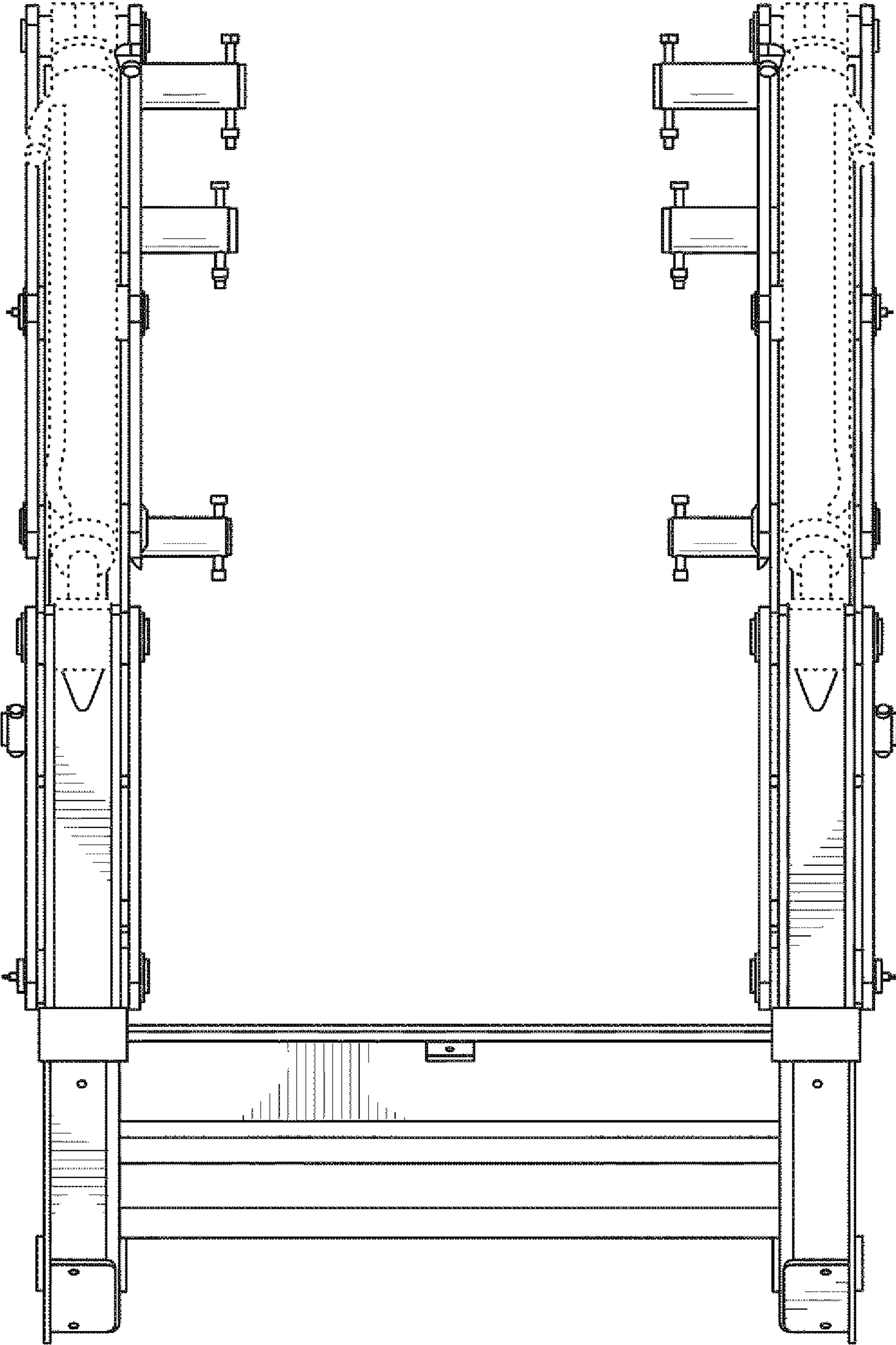


FIG. 2

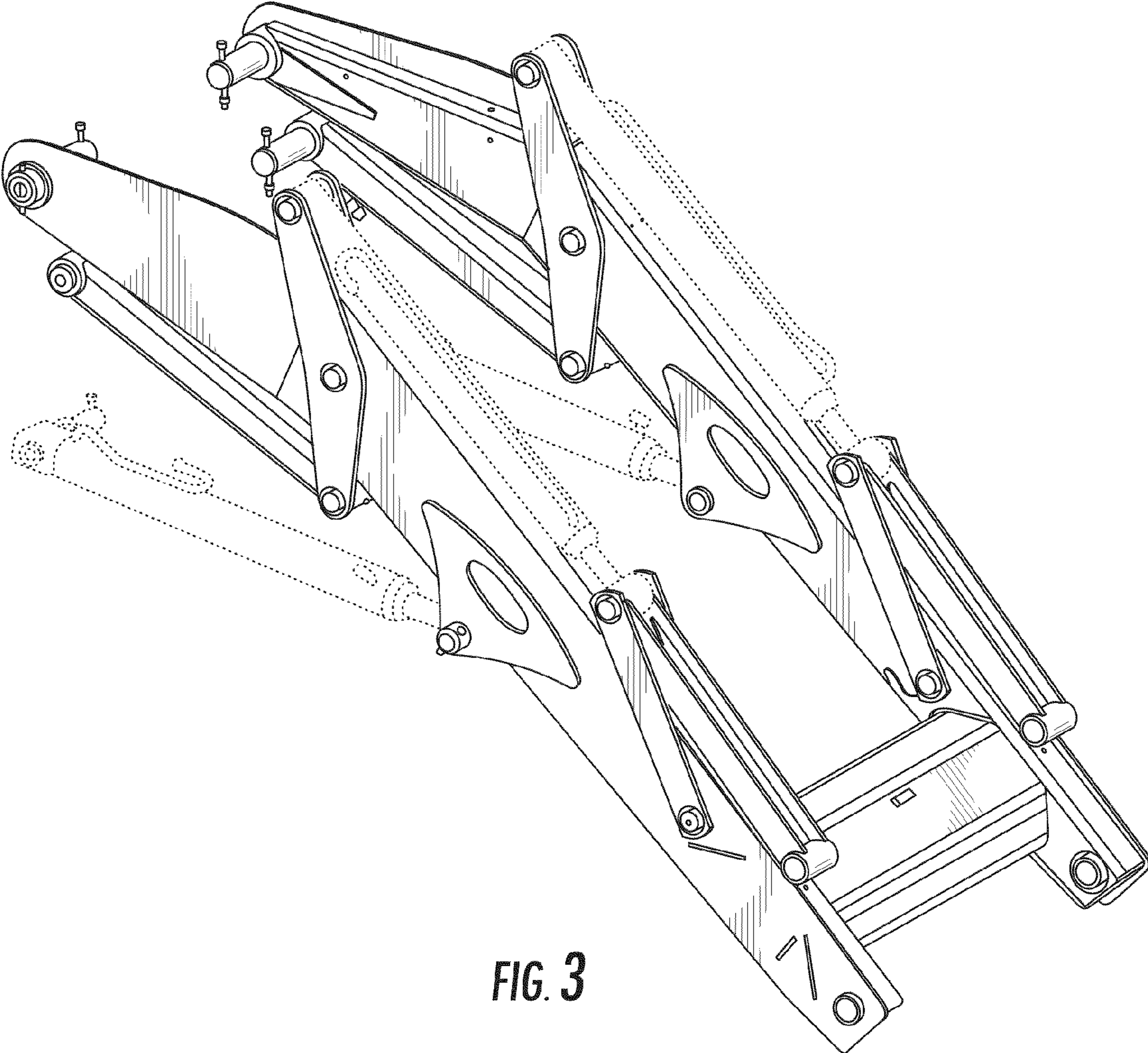


FIG. 3

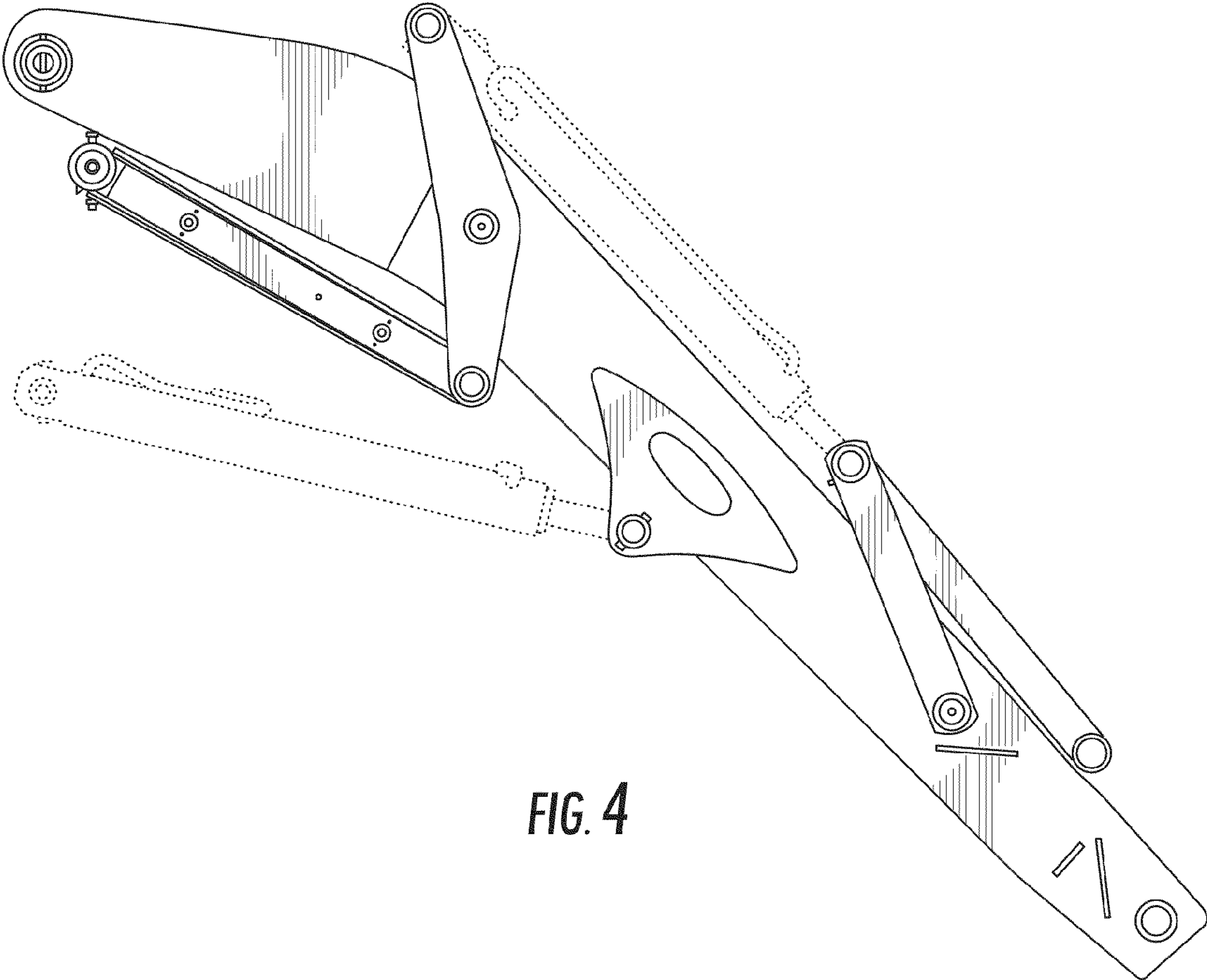


FIG. 4

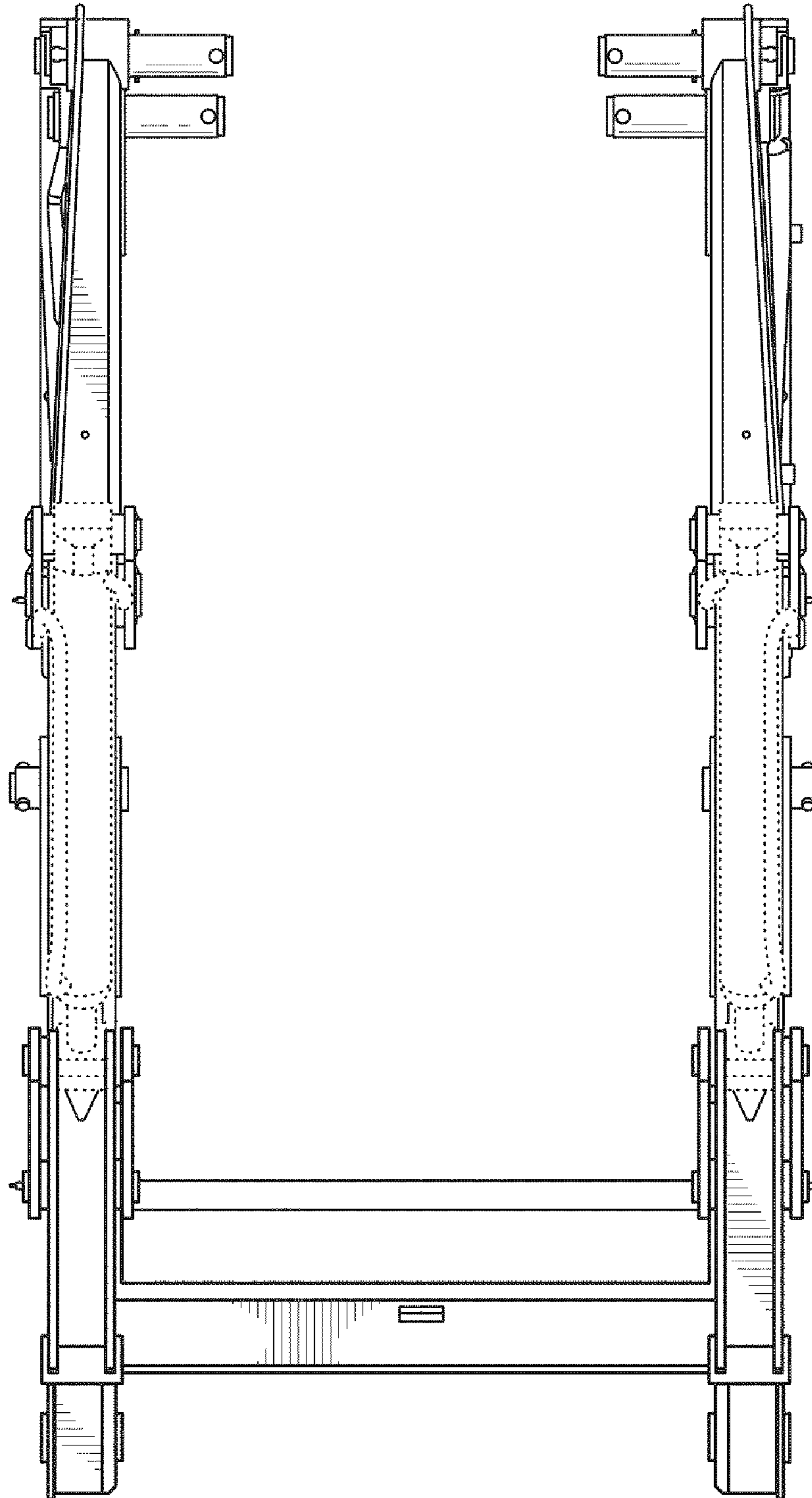


FIG. 5

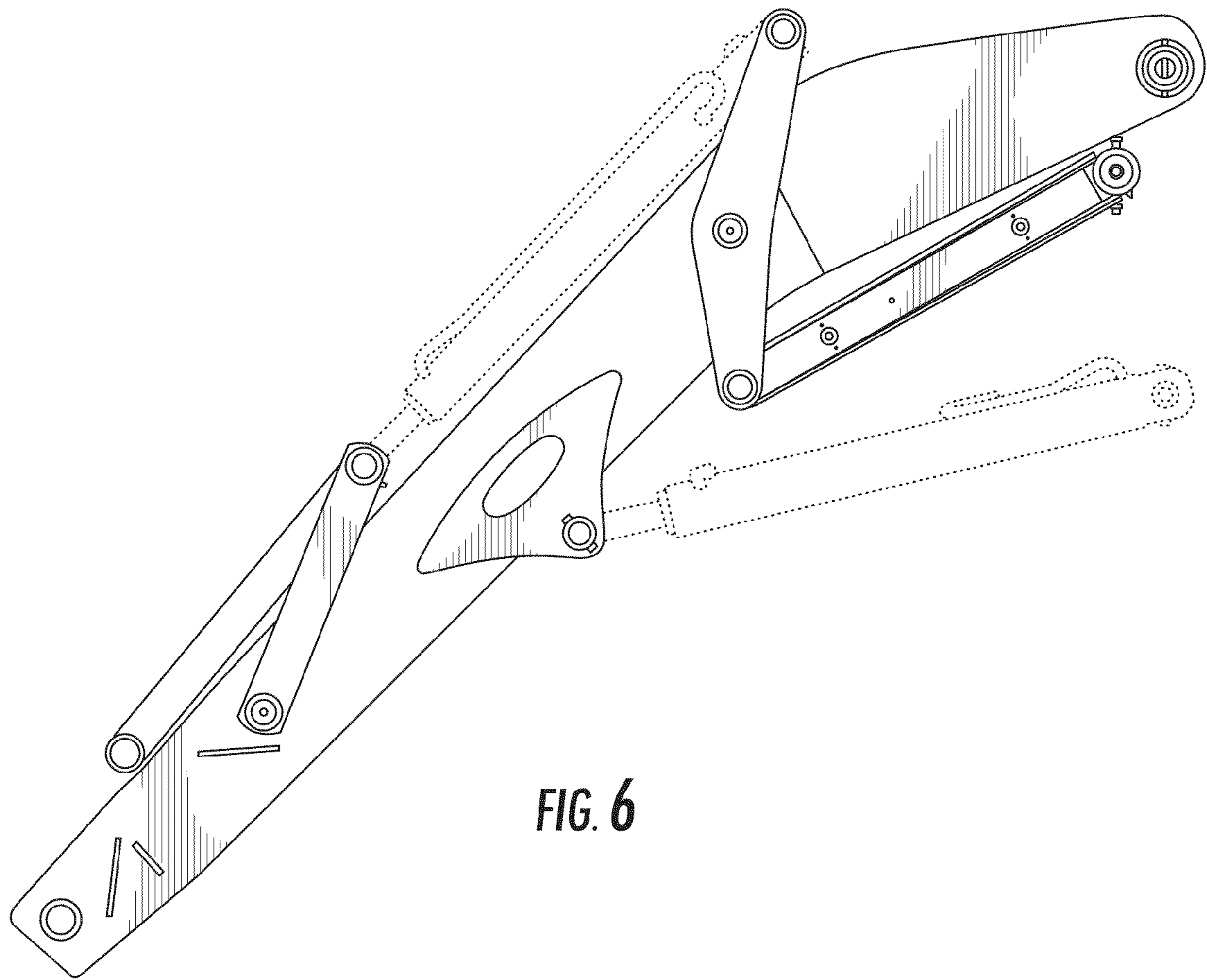


FIG. 6

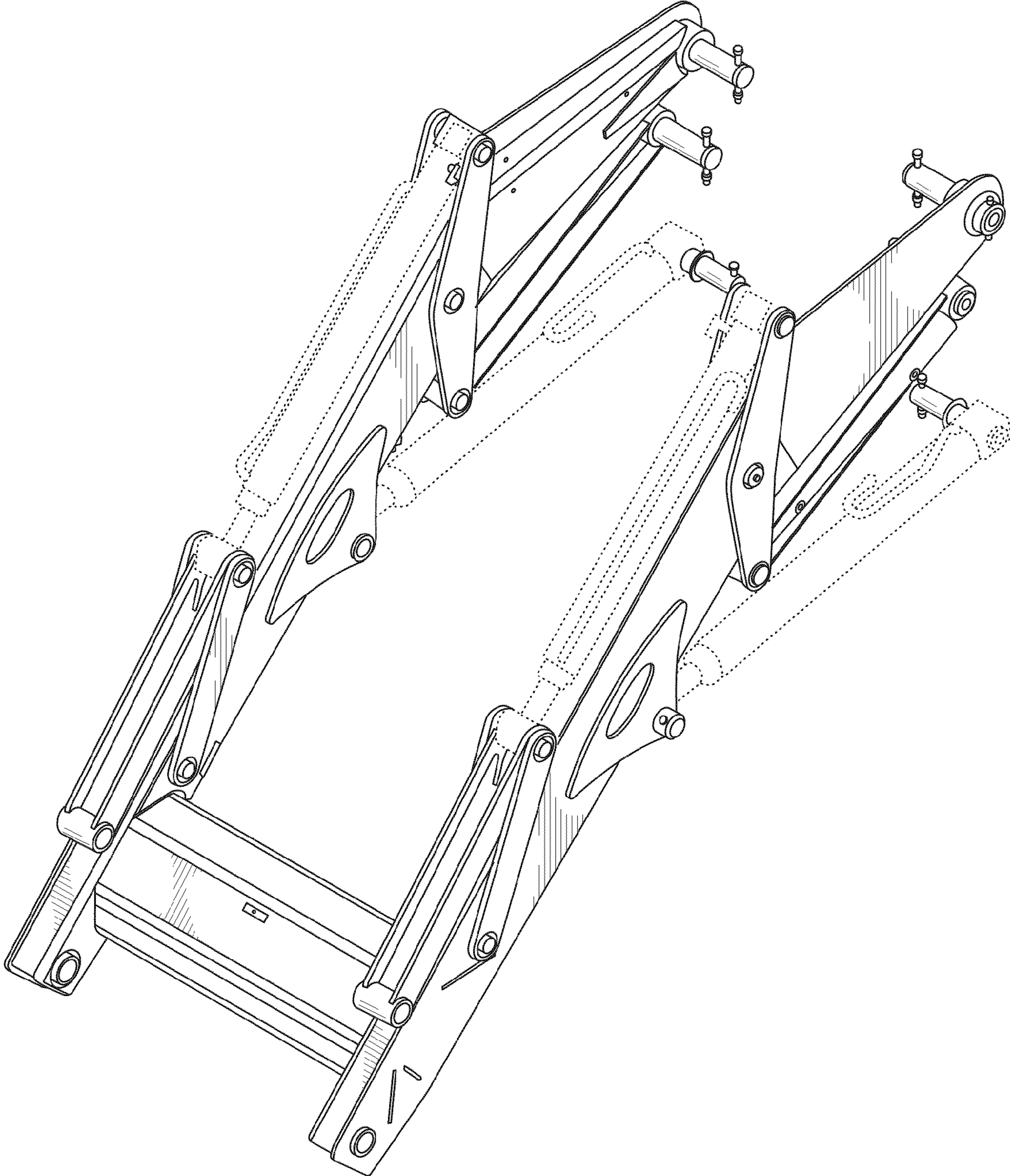


FIG. 7