



US00D628601S

(12) **United States Design Patent**  
**Muraoka et al.**

(10) **Patent No.:** **US D628,601 S**  
(45) **Date of Patent:** **\*\* Dec. 7, 2010**

(54) **ELECTRICAL CONTROL DEVICE**

(75) Inventors: **Hideyasu Muraoka**, Akashi (JP);  
**Hiroshi Itoh**, Kobe (JP)

(73) Assignee: **Kabushiki Kaisha Kawasaki Precision Machinery**, Kobe-shi (JP)

(\*\*) Term: **14 Years**

(21) Appl. No.: **29/343,815**

(22) Filed: **Sep. 18, 2009**

(30) **Foreign Application Priority Data**

Mar. 19, 2009 (JP) ..... 2009-006197  
Mar. 19, 2009 (JP) ..... 2009-006198

(51) **LOC (9) Cl.** ..... **15-03**

(52) **U.S. Cl.** ..... **D15/28**

(58) **Field of Classification Search** ..... D15/17,  
D15/28; D12/179, 174; D8/8; D34/35;  
D21/324, 328, 333; D14/412-416, 400,  
D14/401; 74/491, 519, 523, 475, 489, 473.1,  
74/471 XY; 56/13.3, 202; 273/148 B; 463/38,  
463/46; 345/161

See application file for complete search history.

(56) **References Cited**

**U.S. PATENT DOCUMENTS**

D282,156 S \* 1/1986 Le Vier ..... D12/174  
D320,589 S \* 10/1991 Kelley et al. .... D12/179  
D331,932 S \* 12/1992 Lenski et al. .... D15/28  
D334,415 S \* 3/1993 Carter et al. .... D14/401  
D362,330 S \* 9/1995 Avitan et al. .... D34/35  
D365,576 S \* 12/1995 Butkovich et al. .... D15/29  
D366,910 S \* 2/1996 Hsieh ..... D14/412  
D382,865 S \* 8/1997 Jensen ..... D14/412  
5,805,256 A \* 9/1998 Miller ..... 348/734  
D418,097 S \* 12/1999 Leschke et al. .... D12/179  
D419,570 S \* 1/2000 Blondeel et al. .... D15/29  
D450,702 S \* 11/2001 Sagawa et al. .... D14/412  
D454,569 S \* 3/2002 Osborn et al. .... D14/412  
D463,457 S \* 9/2002 Nagatsuka ..... D15/28

D464,007 S \* 10/2002 Ligneau ..... D12/179  
D481,658 S \* 11/2003 Ryan et al. .... D12/179  
D491,958 S \* 6/2004 Holma ..... D15/28  
D498,188 S \* 11/2004 Ligneau ..... D12/179  
D498,189 S \* 11/2004 Ligneau ..... D12/179  
D499,121 S \* 11/2004 Masalin ..... D15/28

(Continued)

*Primary Examiner*—Mark A Goodwin

(74) *Attorney, Agent, or Firm*—Alleman Hall McCoy Russell & Tuttle LLP

(57) **CLAIM**

The ornamental design for an electrical control device, as shown and described.

**DESCRIPTION**

FIG. 1 is a front view of an electrical control device showing our new design.

FIG. 2 is a top plan view thereof.

FIG. 3 is a bottom plan view thereof.

FIG. 4 is a left side view thereof.

FIG. 5 is a right side view thereof.

FIG. 6 is a right perspective view thereof.

FIG. 7 is a cross-sectional view thereof taken along line 7—7 of FIG. 1.

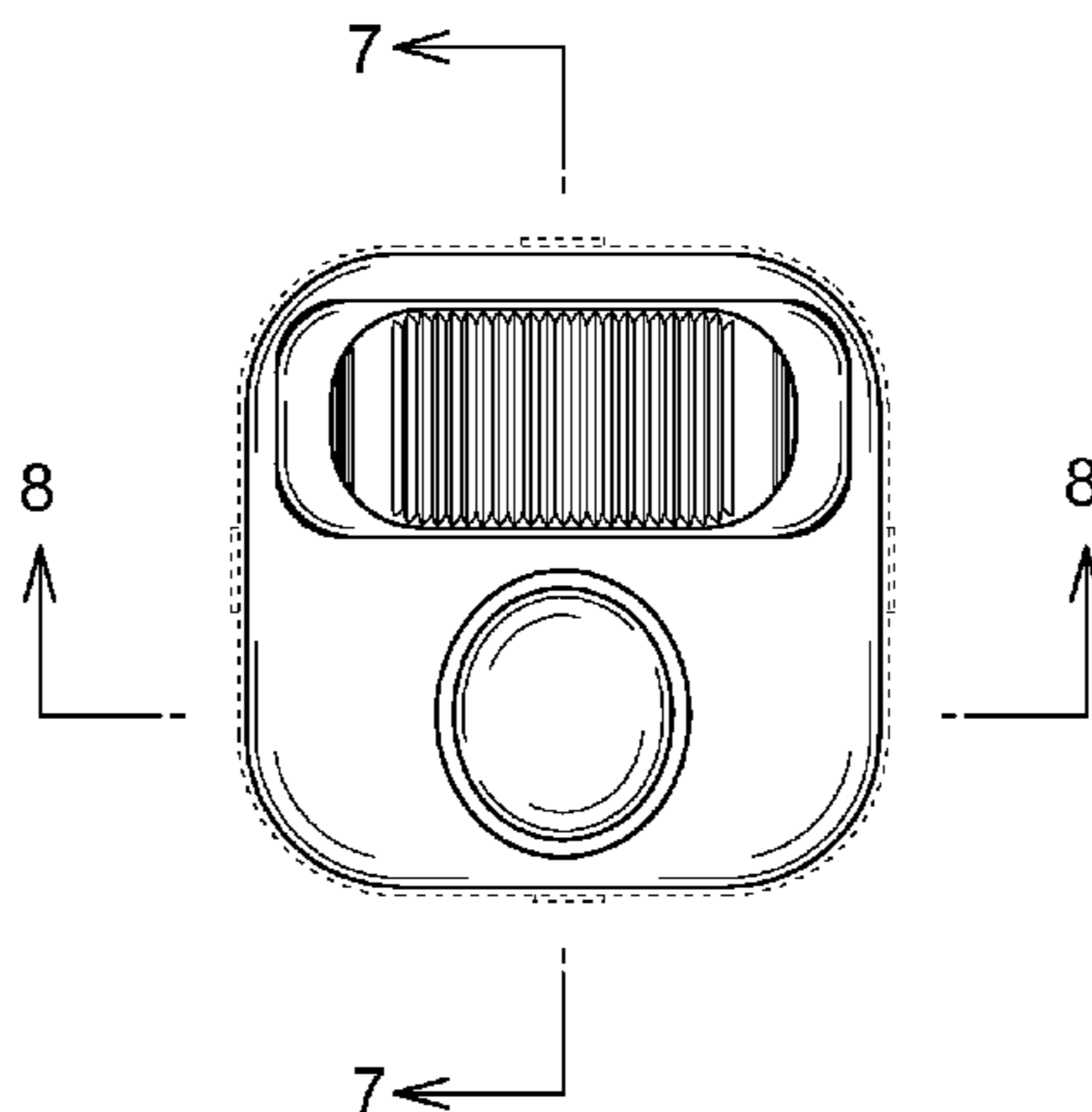
FIG. 8 is a cross-sectional view thereof taken along line 8—8 of FIG. 1.

FIG. 9 is a left perspective view thereof shown in use condition; and,

FIG. 10 is a reduced left side view shown in use condition.

The dashed lines in FIGS. 1-8 illustrate an electrical control device housing, and form no part of the claimed design. The dashed lines in FIG. 9 illustrate a joystick, and form no part of the claimed design. The dashed lines in FIG. 10 illustrate a joystick and chair, and form no part of the claimed design.

**1 Claim, 5 Drawing Sheets**



# US D628,601 S

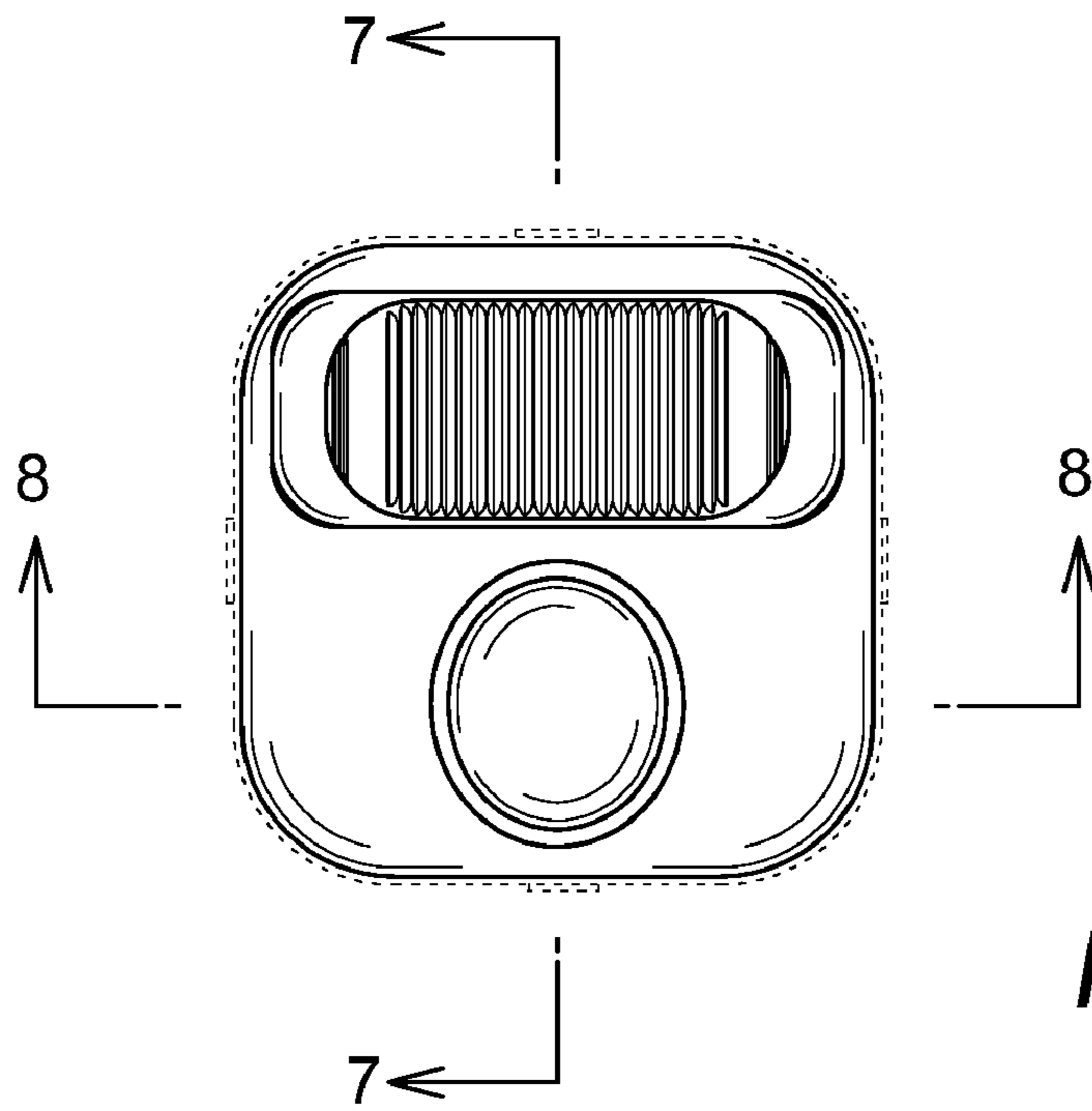
Page 2

---

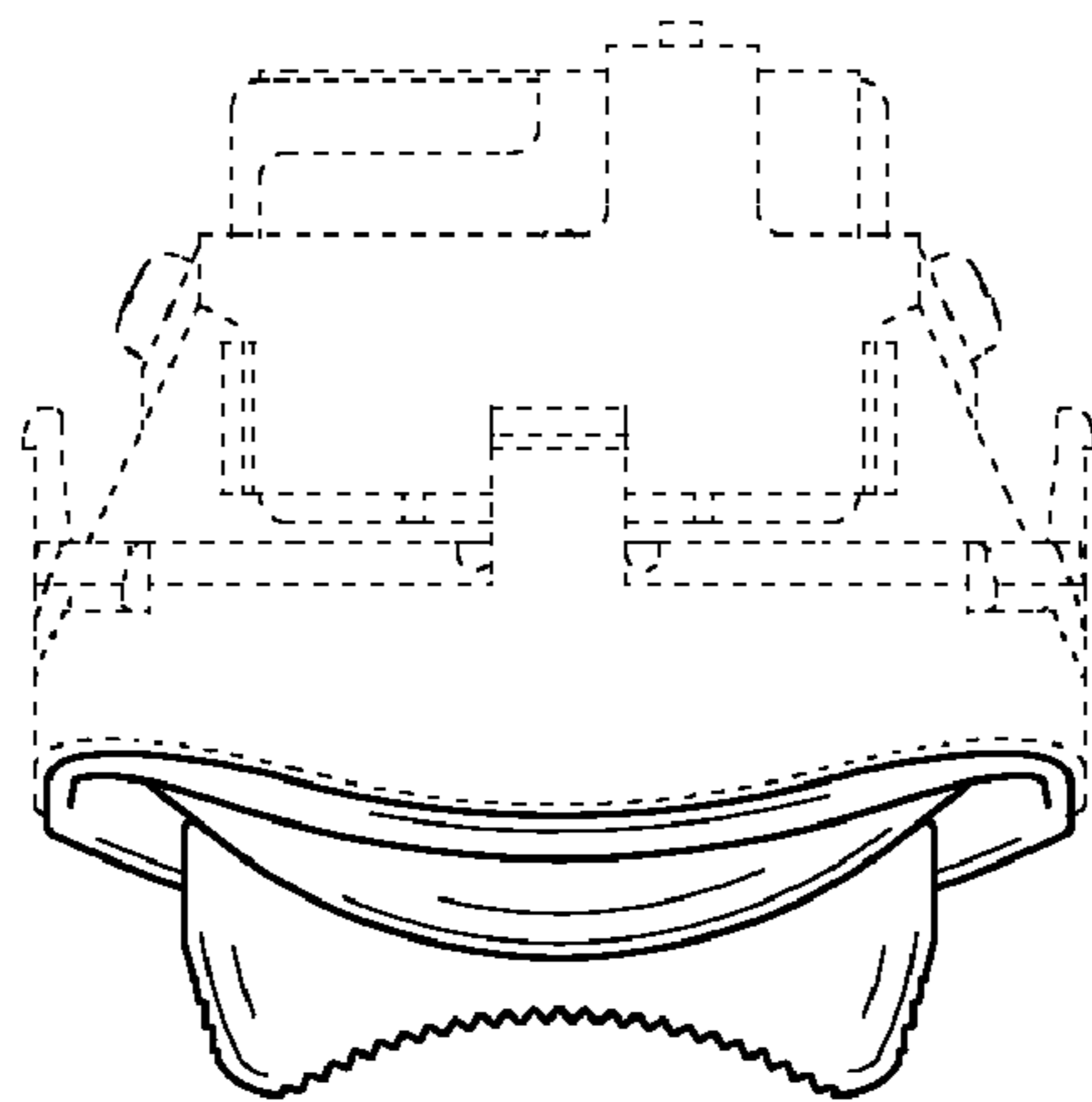
## U.S. PATENT DOCUMENTS

|              |         |                      |         |              |         |                       |        |
|--------------|---------|----------------------|---------|--------------|---------|-----------------------|--------|
| D516,096 S * | 2/2006  | Bergman et al. ....  | D15/28  | D566,132 S * | 4/2008  | Mack .....            | D15/11 |
| D531,942 S * | 11/2006 | Chanteloup .....     | D12/179 | D590,848 S * | 4/2009  | Umeda et al. ....     | D15/28 |
| D537,393 S * | 2/2007  | Chanteloup .....     | D12/179 | D595,744 S * | 7/2009  | Umeda et al. ....     | D15/28 |
| D537,394 S * | 2/2007  | Chanteloup .....     | D12/179 | D606,100 S * | 12/2009 | Kobayashi et al. .... | D15/28 |
| D541,824 S * | 5/2007  | Yanagida et al. .... | D15/28  | D606,566 S * | 12/2009 | Kobayashi et al. .... | D15/28 |
| D559,749 S * | 1/2008  | Barbieri .....       | D12/179 | D606,567 S * | 12/2009 | Kobayashi et al. .... | D15/28 |

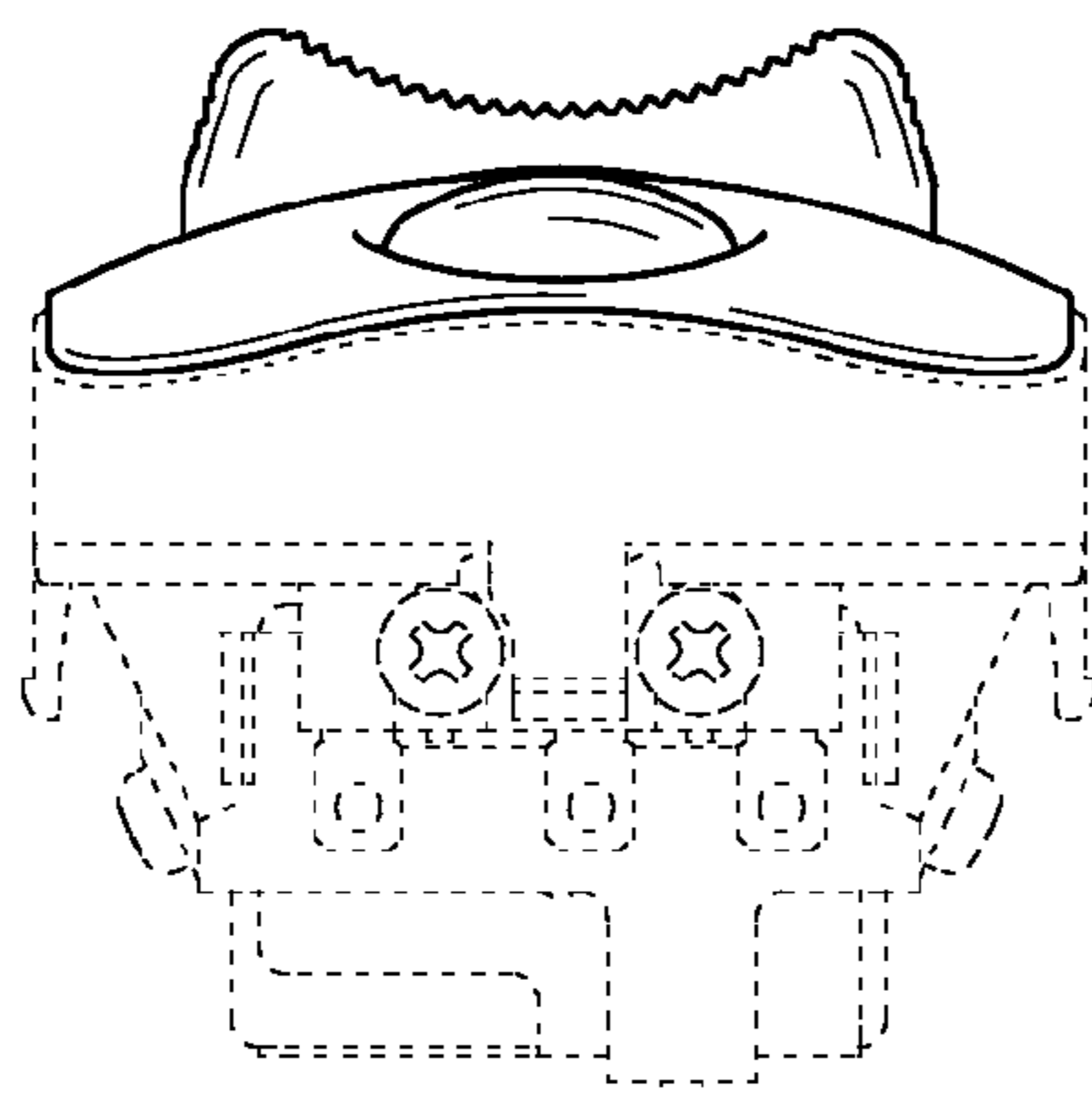
\* cited by examiner



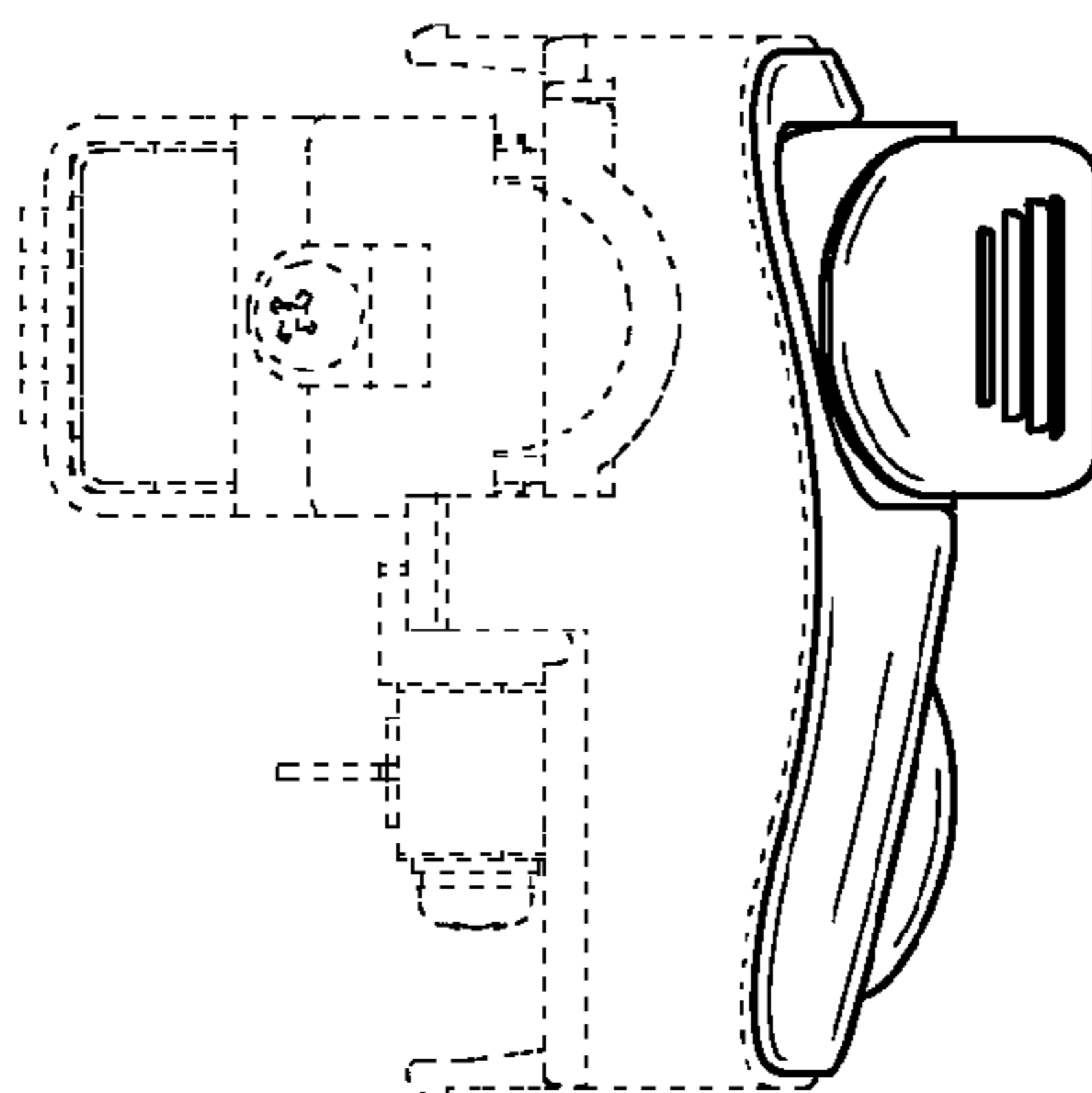
**FIG. 1**



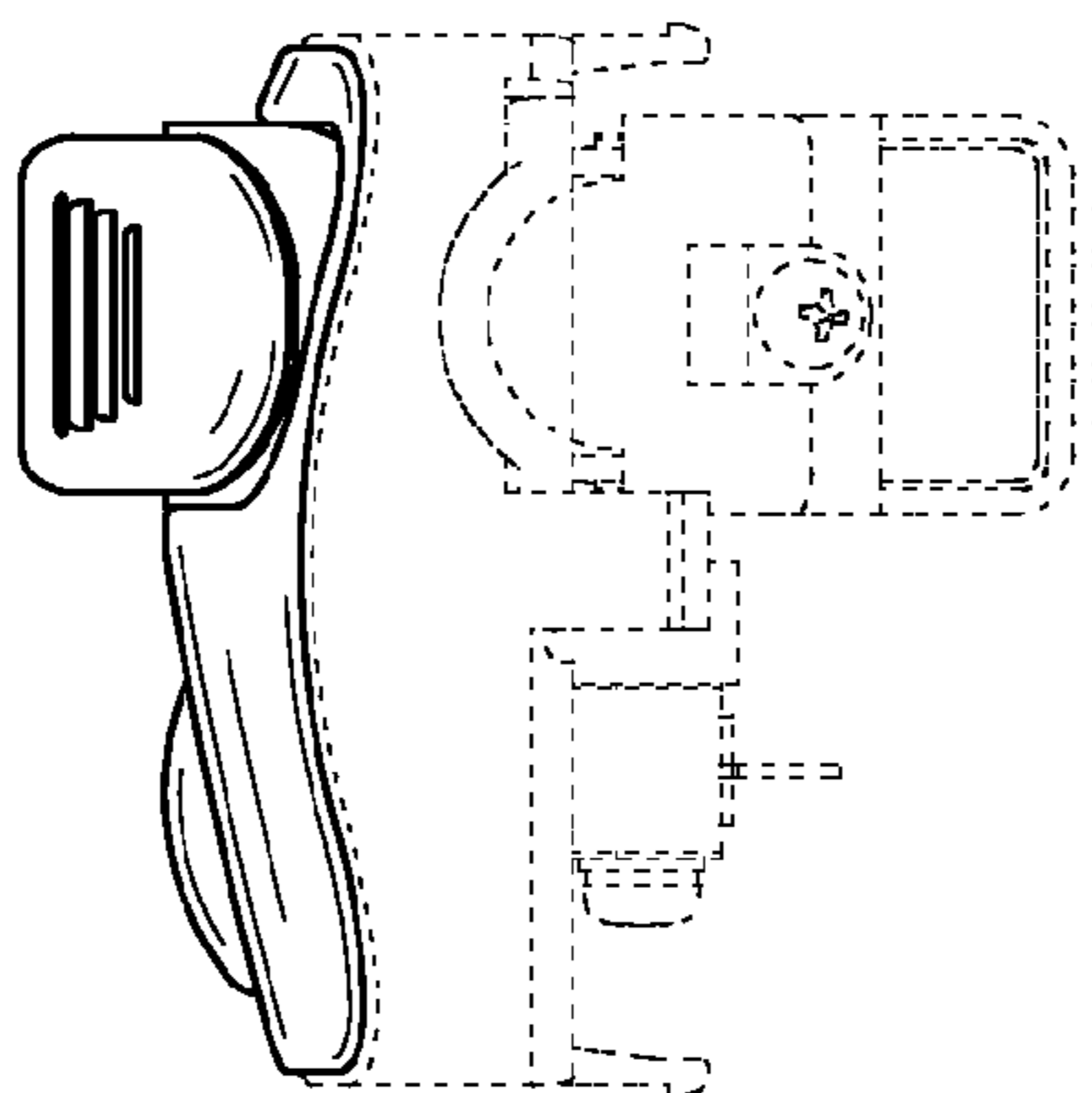
**FIG. 2**



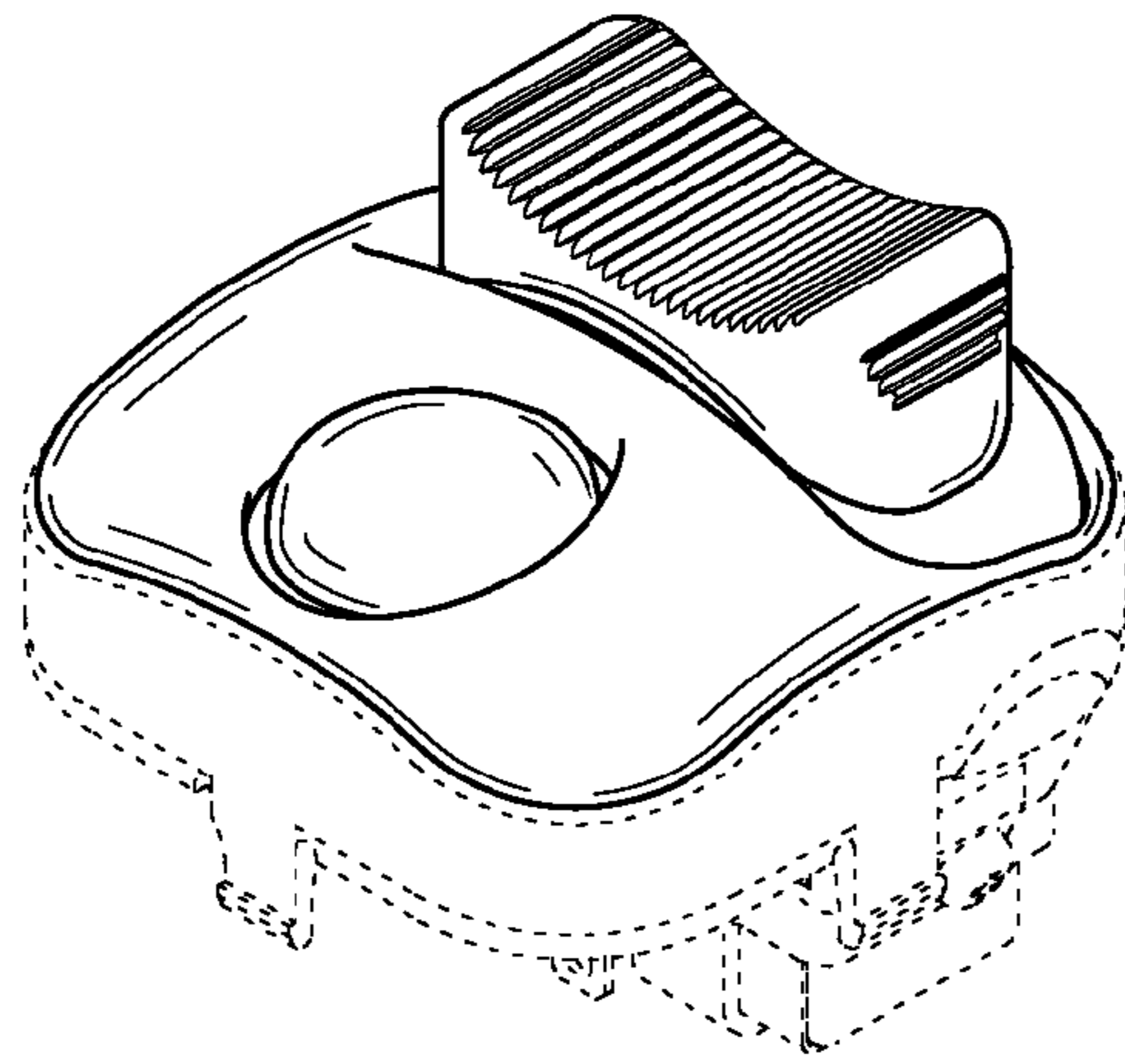
**FIG. 3**



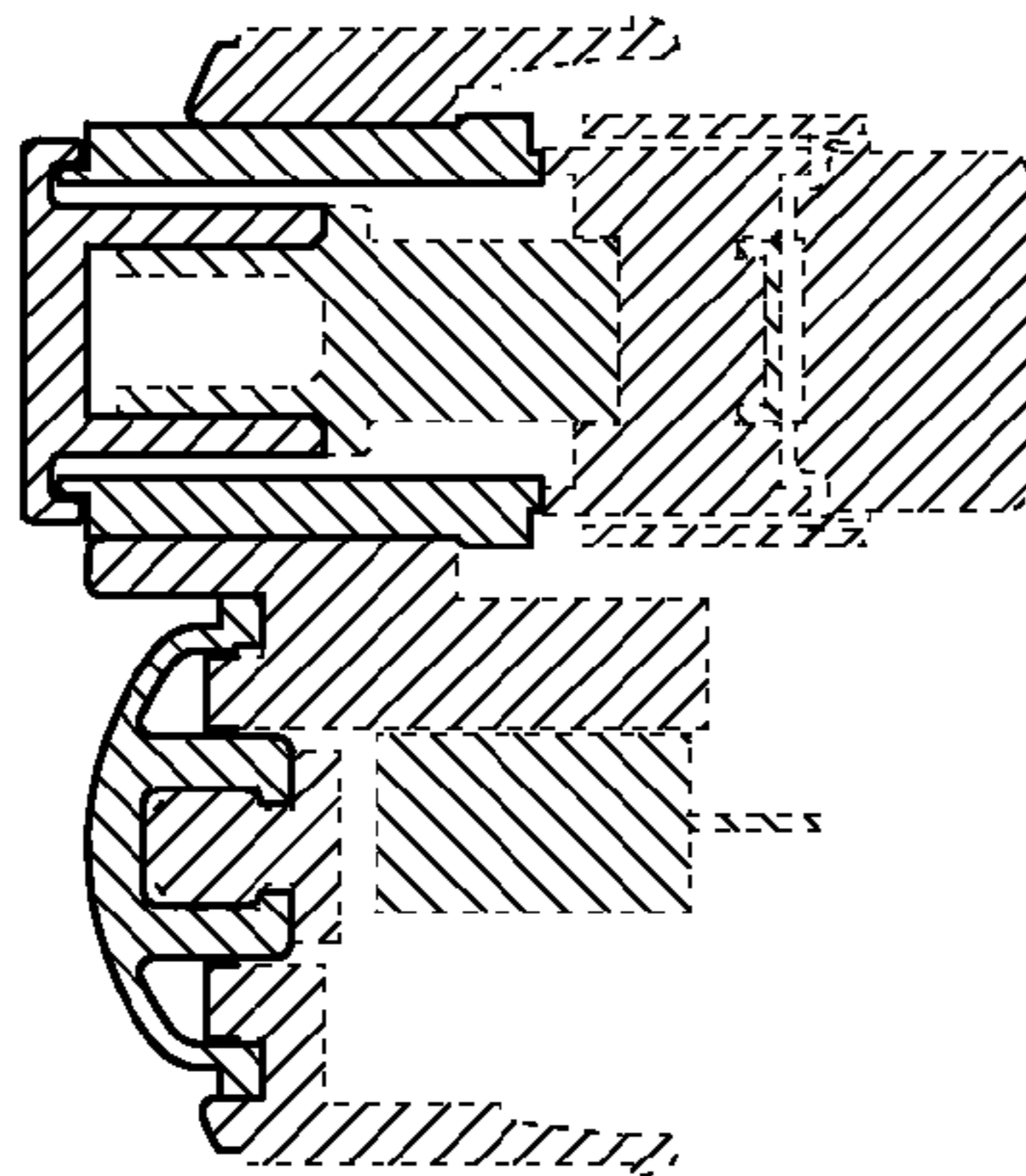
**FIG. 4**



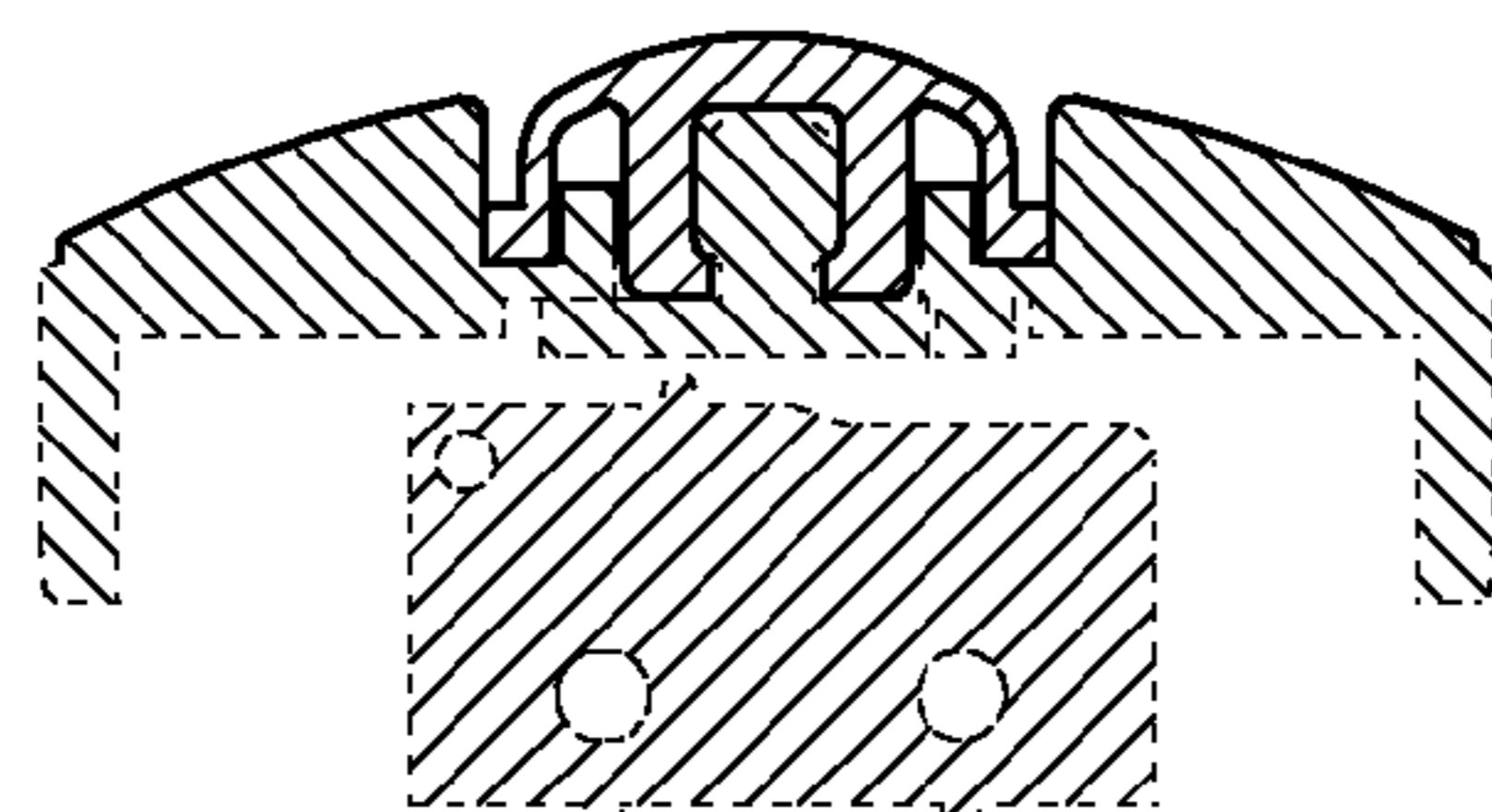
**FIG. 5**



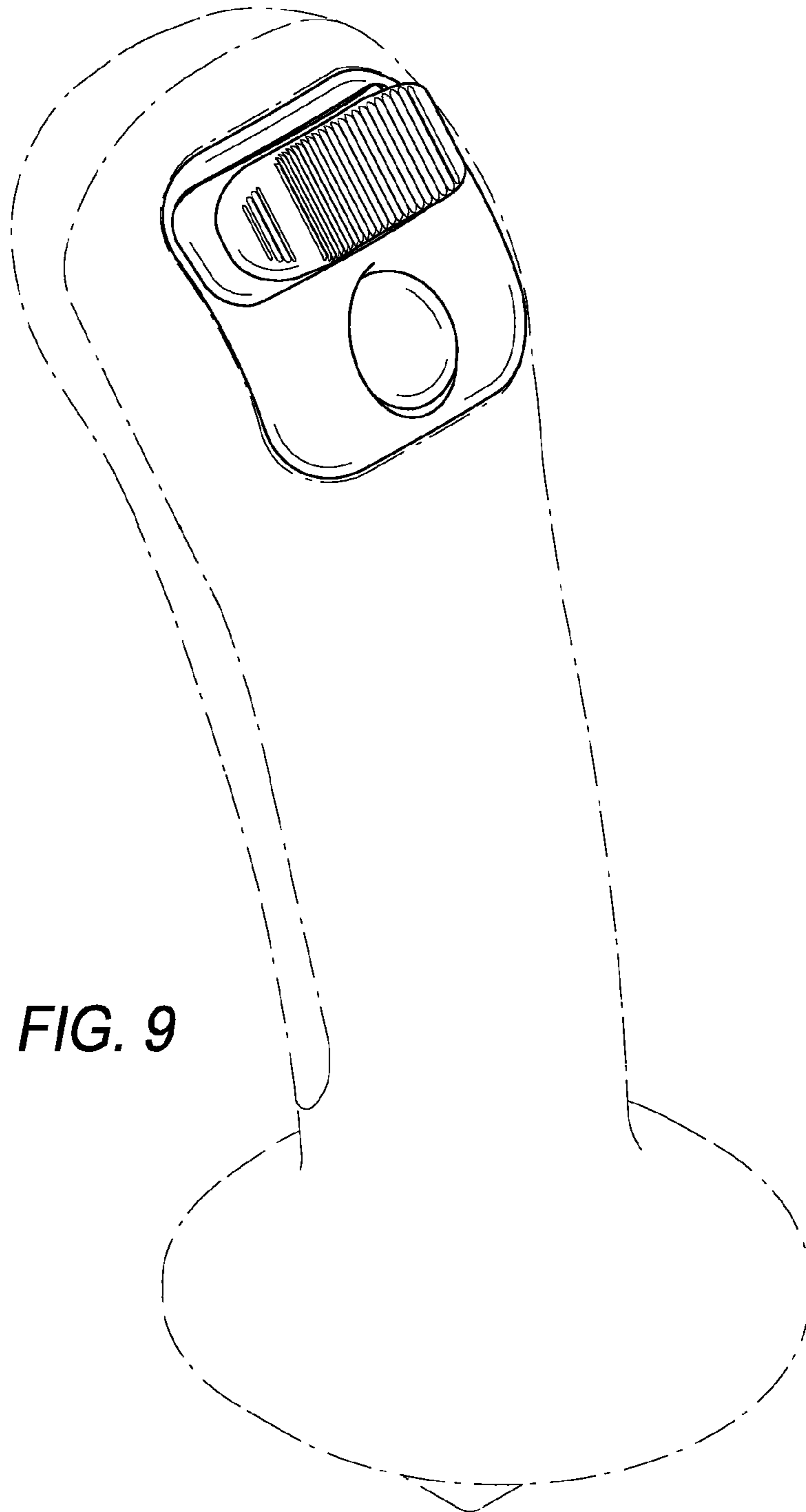
**FIG. 6**



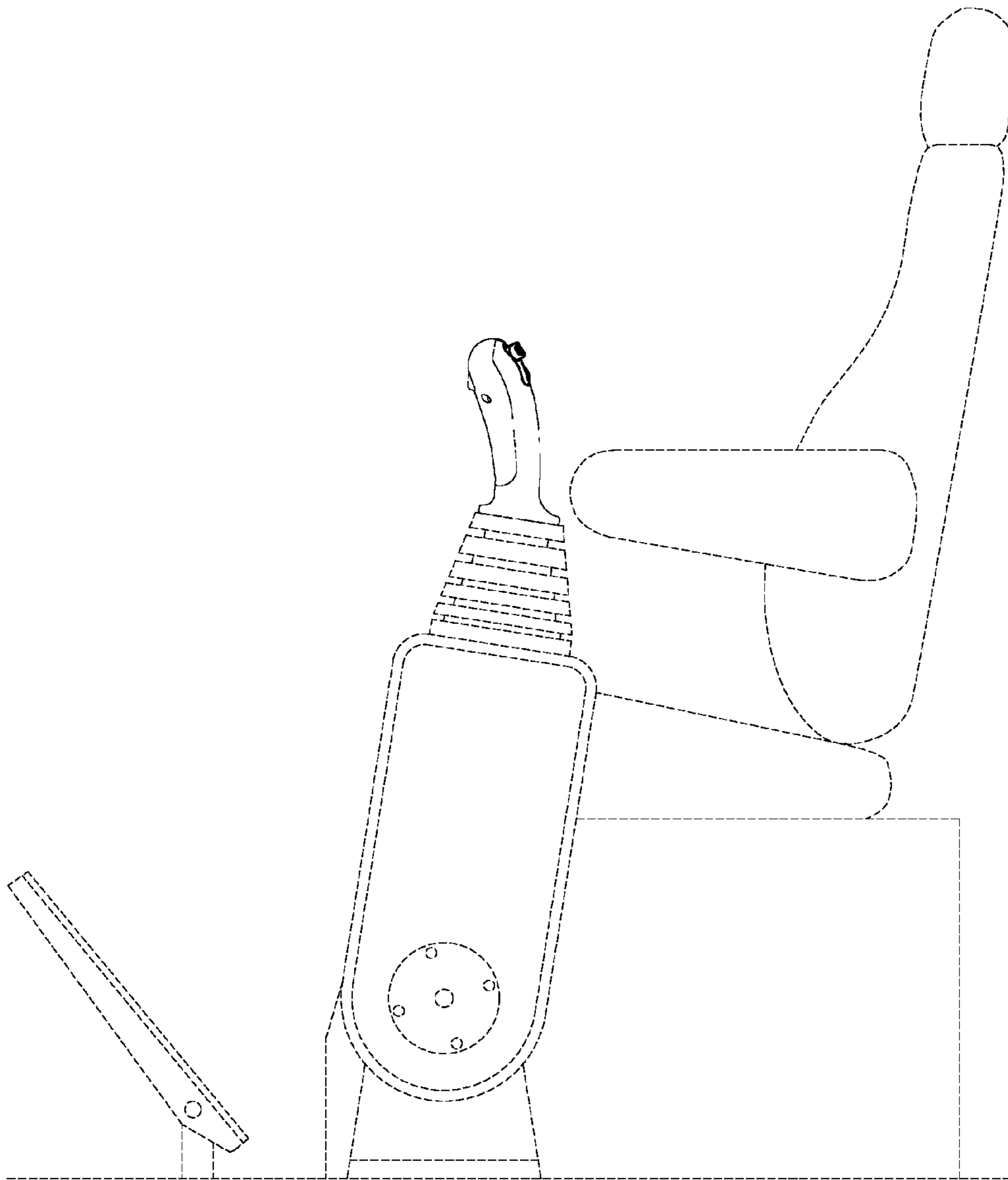
**FIG. 7**



**FIG. 8**



**FIG. 9**



**FIG. 10**