



US00D628600S

(12) **United States Design Patent**  
**Hicks**

(10) **Patent No.:** **US D628,600 S**

(45) **Date of Patent:** **\*\* Dec. 7, 2010**

(54) **LEVEE HARROW**

(75) Inventor: **Donnie Hicks**, Lubbock, TX (US)

(73) Assignee: **HHP Engineering Solutions International, Inc.**, Lubbock, TX (US)

(\*\*) Term: **14 Years**

(21) Appl. No.: **29/364,376**

(22) Filed: **Jun. 23, 2010**

(51) **LOC (9) Cl.** ..... **15-03**

(52) **U.S. Cl.** ..... **D15/27**

(58) **Field of Classification Search** ..... D15/10,  
D15/11, 27, 28, 29, 33; 172/579, 311, 568,  
172/612, 468, 637, 662, 684.5, 689, 551,  
172/576, 595, 455, 518, 527, 567, 586, 142,  
172/152, 154, 178, 181, 196, 442, 440, 441,  
172/314, 548, 454, 583, 140, 776, 22, 145-147,  
172/175, 669, 604

See application file for complete search history.

(56) **References Cited**

**U.S. PATENT DOCUMENTS**

98,647	A *	1/1870	Vairin	172/579
1,314,292	A *	8/1919	Wallesverd	172/189
1,482,496	A *	2/1924	White	172/310
2,191,537	A *	2/1940	Miller	172/578
D165,046	S *	11/1951	Bailey	D15/27
2,825,983	A *	3/1958	Finn	56/295
3,327,787	A *	6/1967	Adee	172/311
3,759,332	A *	9/1973	Robertson, Sr.	172/239
D234,619	S *	3/1975	Oelschlager et al.	D15/27
4,044,842	A *	8/1977	Worick	172/314
4,150,725	A *	4/1979	Crumrine	172/678
D258,657	S *	3/1981	Stark	D15/27
D267,320	S *	12/1982	Symonds	D15/11
4,484,636	A *	11/1984	Hodgson, Jr.	172/454
4,893,682	A *	1/1990	Smallacombe	172/311

D306,598	S *	3/1990	Swartzendruber et al.	D15/11
5,161,622	A *	11/1992	Godbersen	172/140
5,535,832	A *	7/1996	Benoit	172/195
5,586,604	A *	12/1996	Postema	172/21
5,794,712	A *	8/1998	Phillips	172/459
5,881,820	A *	3/1999	Baker	172/455
6,612,378	B2 *	9/2003	Sauder	172/145
7,578,356	B2 *	8/2009	Newman	172/572
7,607,489	B2 *	10/2009	Kelly et al.	172/579

\* cited by examiner

*Primary Examiner*—Mark A Goodwin

(74) *Attorney, Agent, or Firm*—Klemchuk Kubasta LLP;  
Darin M. Klemchuk

(57) **CLAIM**

The ornamental design for a levee harrow, as shown and described.

**DESCRIPTION**

FIG. 1 is a perspective view of an ornamental design for a levee harrow in accordance with the present disclosure;

FIG. 2 is a front elevation view of the levee harrow shown in FIG. 1;

FIG. 3 is a rear elevation view of the levee harrow shown in FIG. 1;

FIG. 4 is a right side elevation view of the levee harrow shown in FIG. 1;

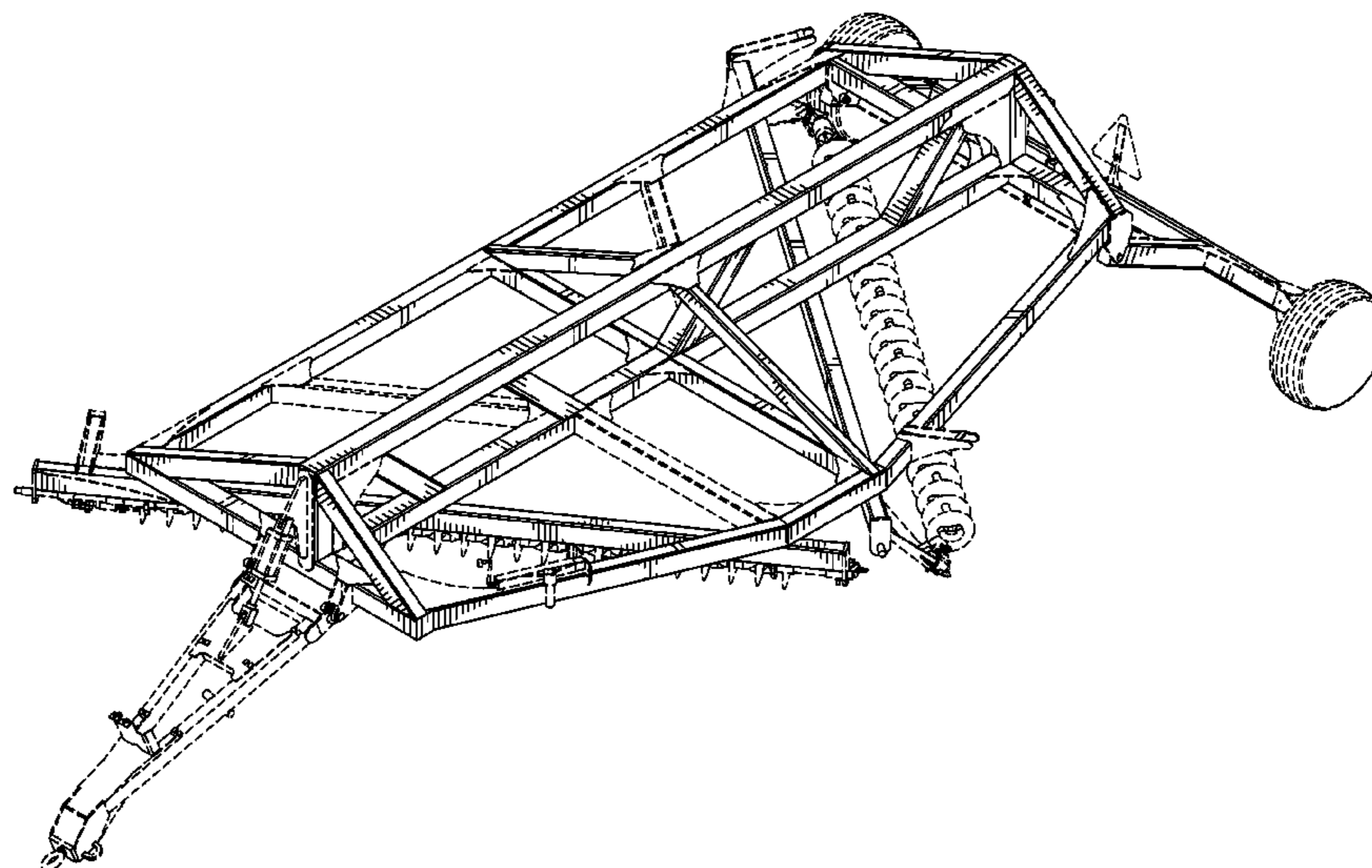
FIG. 5 is a left side elevation view of the levee harrow shown in FIG. 1;

FIG. 6 is a top plan view of the levee harrow shown in FIG. 1; and,

FIG. 7 is a bottom plan view of the levee harrow shown in FIG. 1.

The broken lines shown on FIGS. 1-7 show unclaimed detail only and form no part of the claimed design.

**1 Claim, 6 Drawing Sheets**



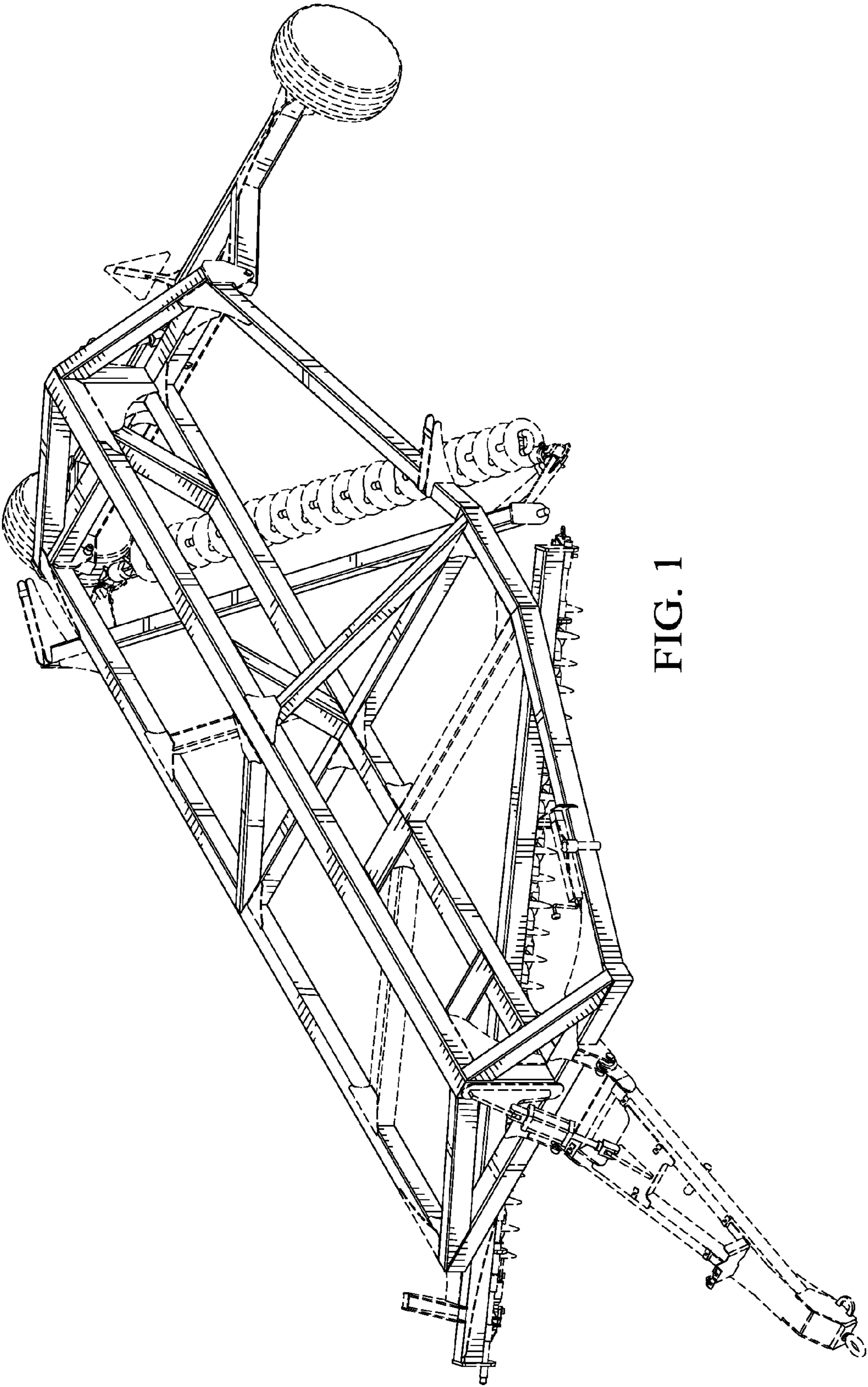


FIG. 1

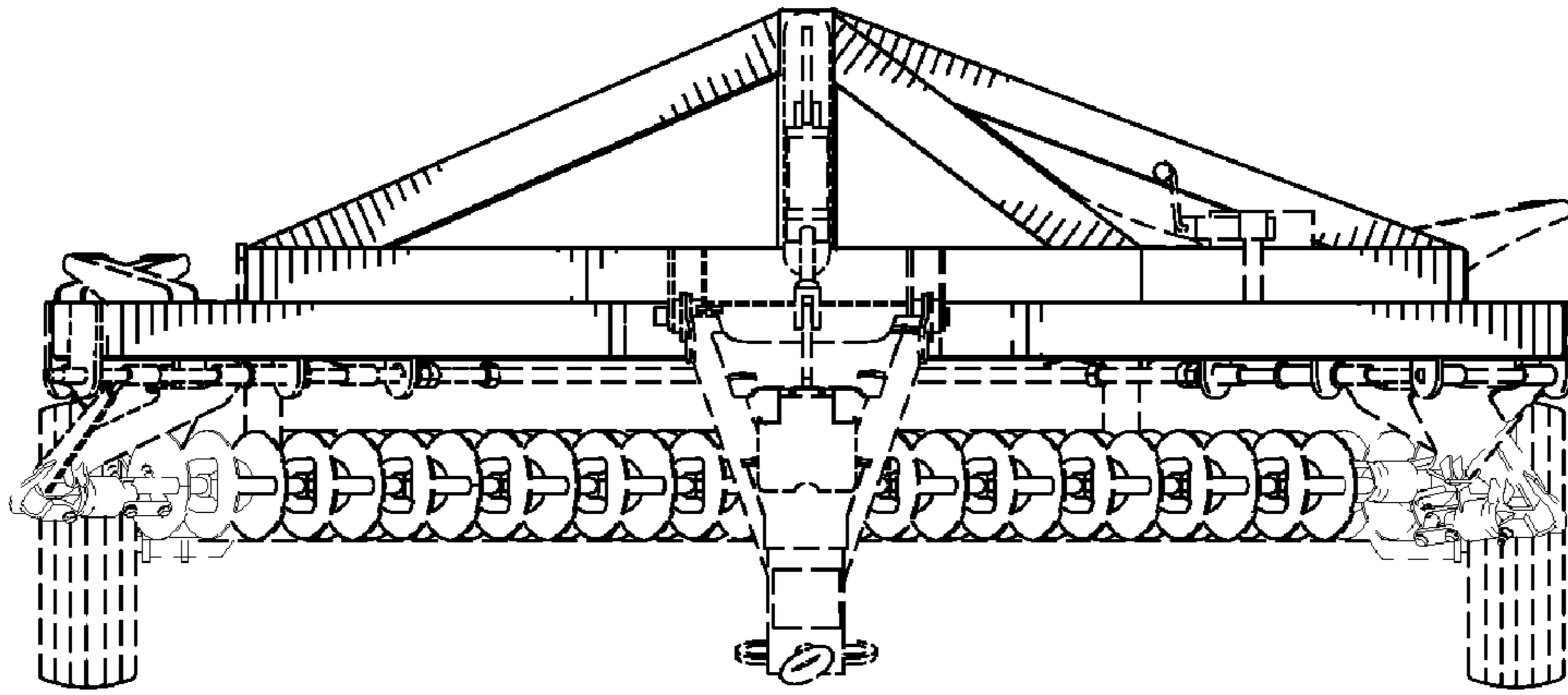


FIG. 2

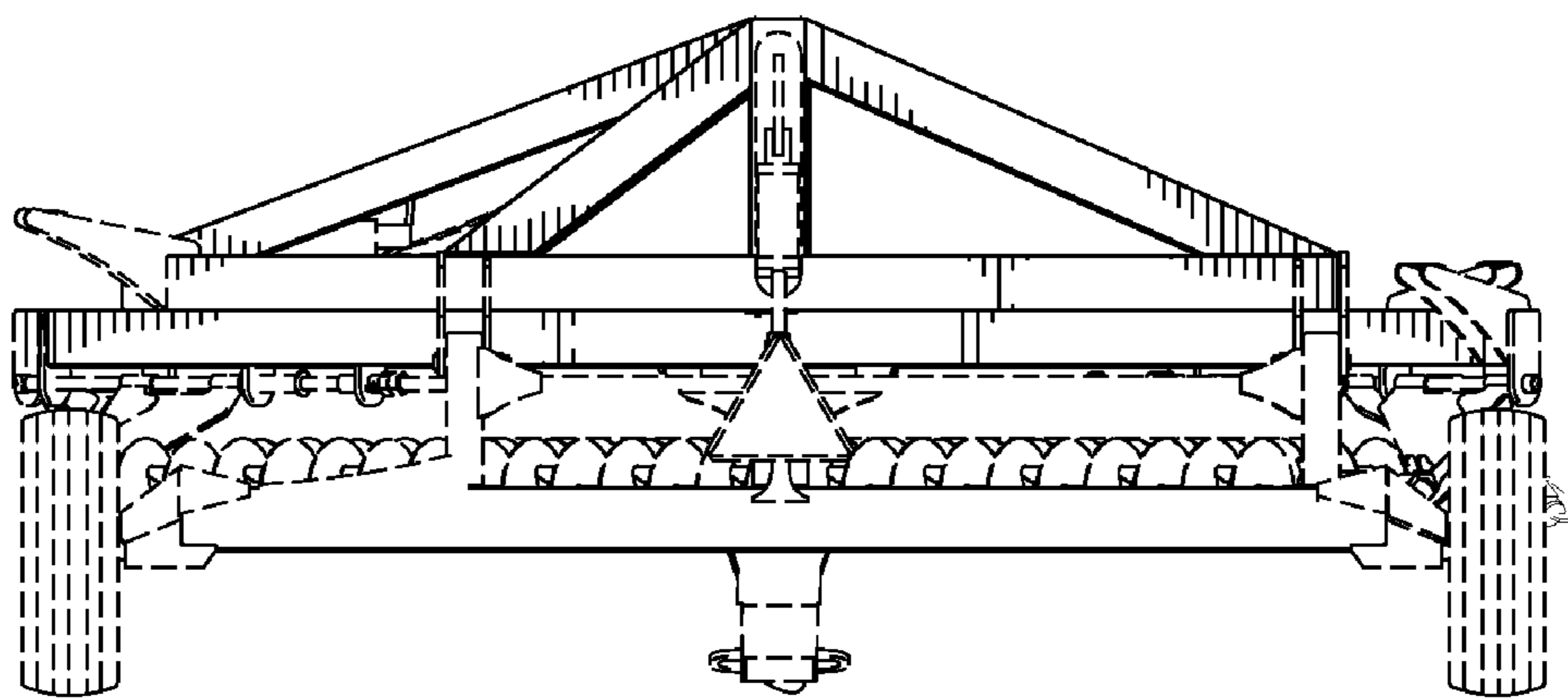


FIG. 3

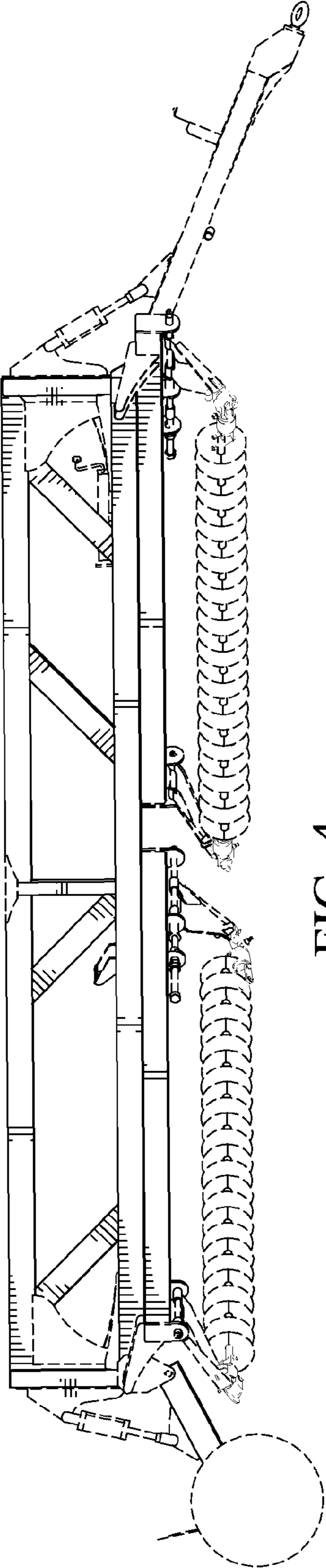


FIG. 4

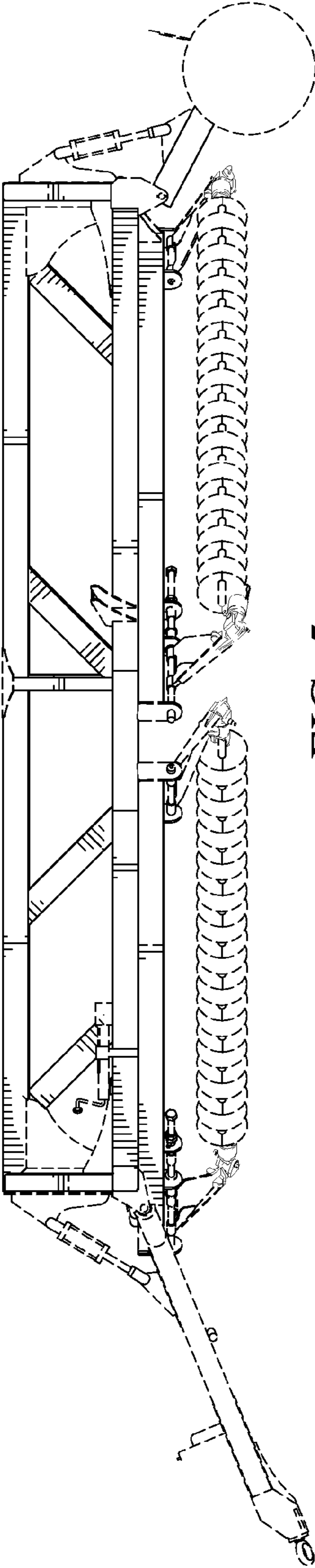


FIG. 5

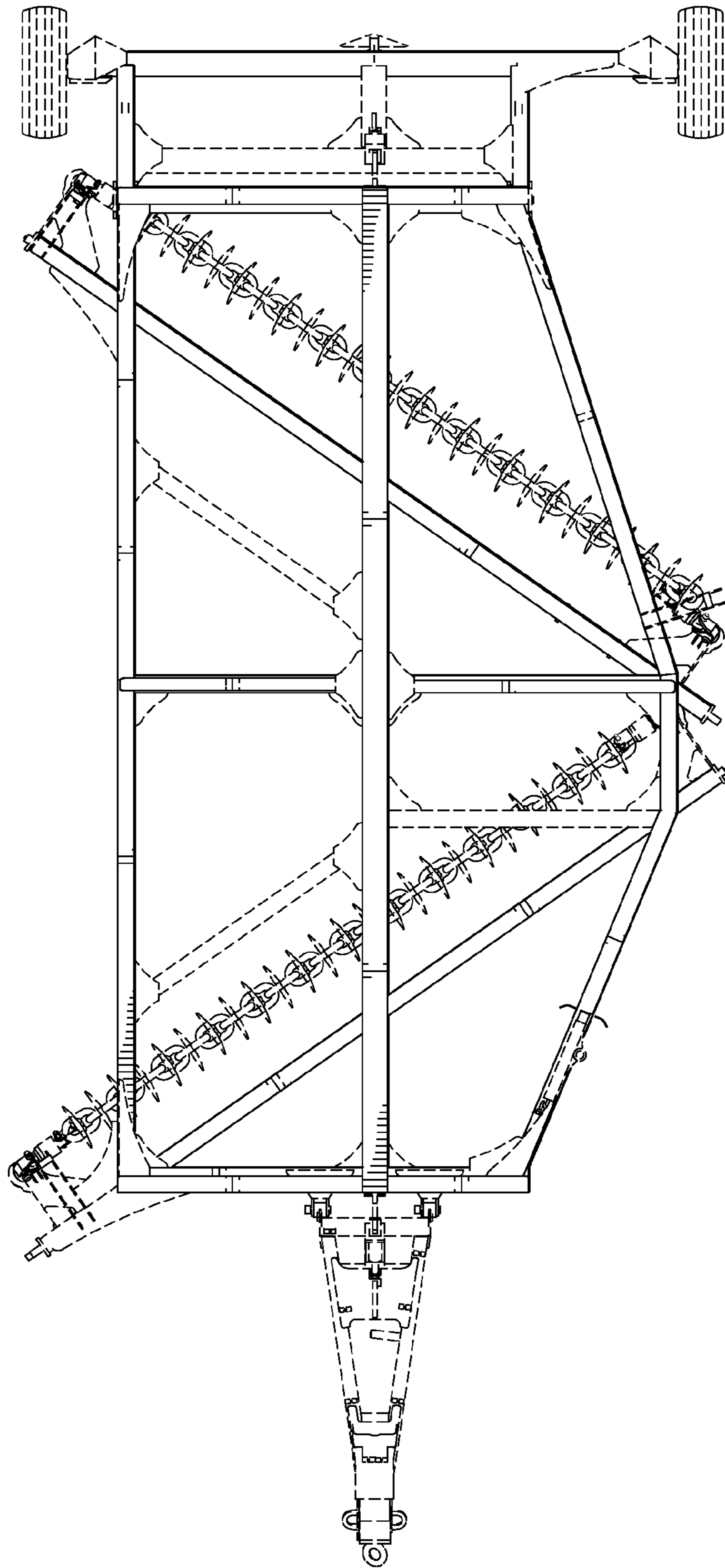


FIG. 6

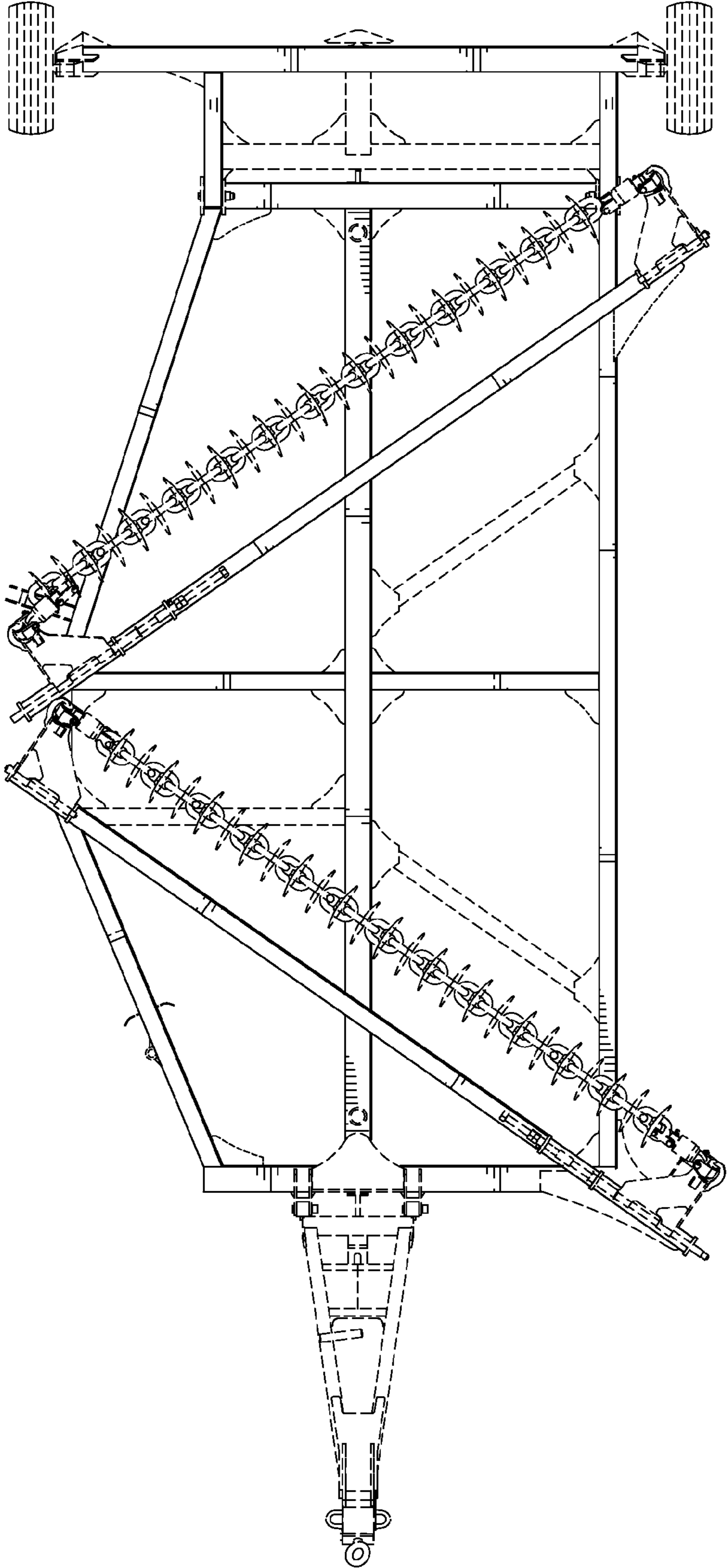


FIG. 7