

US00D628599S

(12) **United States Design Patent**
Major

(10) **Patent No.:** **US D628,599 S**

(45) **Date of Patent:** **** Dec. 7, 2010**

(54) **BACKHOE LOADER**

(75) Inventor: **Gary Edmund Major**, Cheshire (GB)

(73) Assignee: **J.C. Bamford Excavators Limited**,
Rocester, Utttoxeter (GB)

(**) Term: **14 Years**

(21) Appl. No.: **29/357,792**

(22) Filed: **Mar. 17, 2010**

(30) **Foreign Application Priority Data**

Sep. 17, 2009 (EM) 001612805.0002
Feb. 23, 2010 (EM) 001673385.0007

(51) **LOC (9) Cl.** **12-09**

(52) **U.S. Cl.** **D15/23; D15/25**

(58) **Field of Classification Search** D15/10,
D15/22-26, 33; D21/431; 37/403, 409,
37/442, 443; 180/89.1, 89.12, 89.13; 296/190.03;
414/685, 694, 722, 724

See application file for complete search history.

(56) **References Cited**

U.S. PATENT DOCUMENTS

3,893,728 A * 7/1975 Holopainen 296/65.07
4,182,456 A * 1/1980 Paul 414/685
5,265,995 A * 11/1993 Beck 414/694
D364,408 S * 11/1995 Bryant et al. D15/25
D391,581 S * 3/1998 Kato et al. D15/23
5,778,569 A * 7/1998 Schaeff 37/410
D406,151 S * 2/1999 Cunningham et al. D15/25
5,873,612 A * 2/1999 Connor 292/338
D416,266 S * 11/1999 Del Torchio D15/25

D431,575 S * 10/2000 Park D15/25
D523,027 S * 6/2006 Yamashita et al. D15/23
D523,874 S * 6/2006 Hagele D15/30
D529,932 S * 10/2006 Yamashita et al. D15/25
D540,828 S * 4/2007 Johnson et al. D15/25
D540,829 S * 4/2007 Johnson et al. D15/25
D549,738 S * 8/2007 Hiraoka et al. D15/25
D590,846 S * 4/2009 Kinsinger et al. D15/25

* cited by examiner

Primary Examiner—Mark A Goodwin

(74) *Attorney, Agent, or Firm*—Goodman, Allen & Filetti
PLLC

(57) **CLAIM**

The ornamental design for a backhoe loader, as shown and described.

DESCRIPTION

FIG. 1 is a left front perspective view of a backhoe loader embodying my design.

FIG. 2 is a front elevational view thereof.

FIG. 3 is a right side elevational view thereof.

FIG. 4 is a right rear perspective view thereof.

FIG. 5 is a rear elevational view thereof.

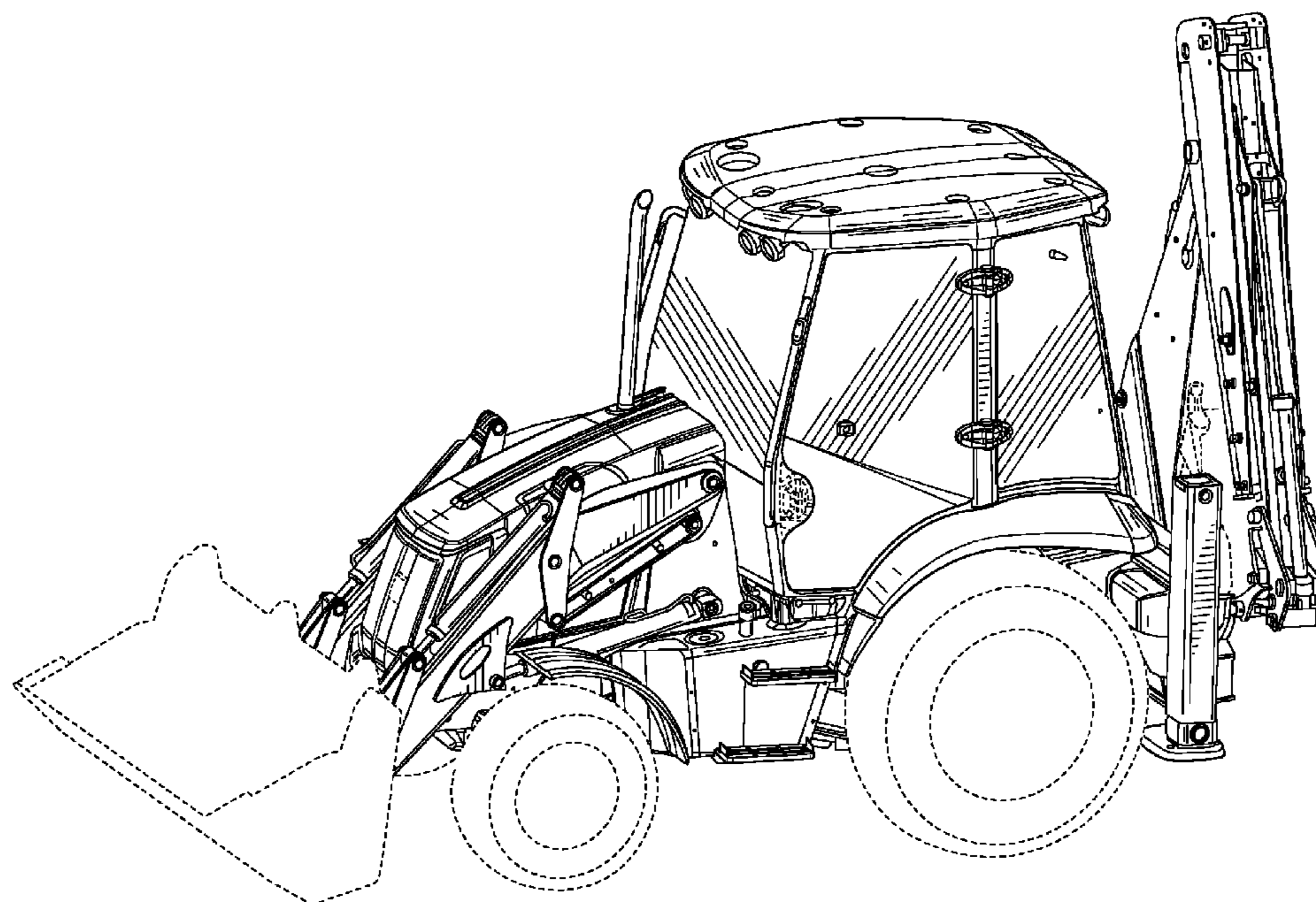
FIG. 6 is a left side elevational view thereof; and,

FIG. 7 is a top plan view thereof.

The bottom forms no part of the claimed design.

The broken line showing the scoop, bucket and wheels, and details of the door handle in the drawings forms no part of the claimed design.

1 Claim, 7 Drawing Sheets



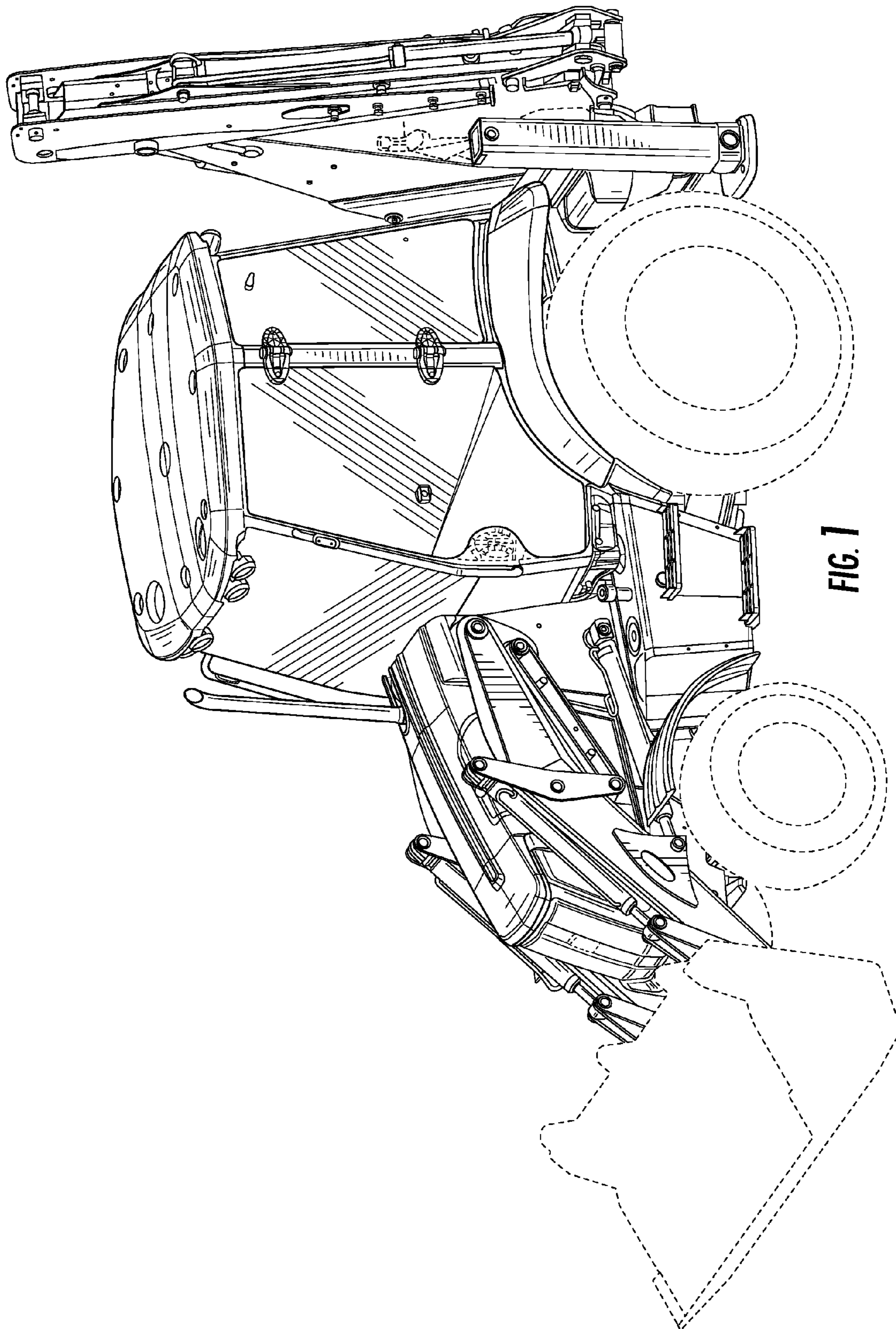


FIG. 1

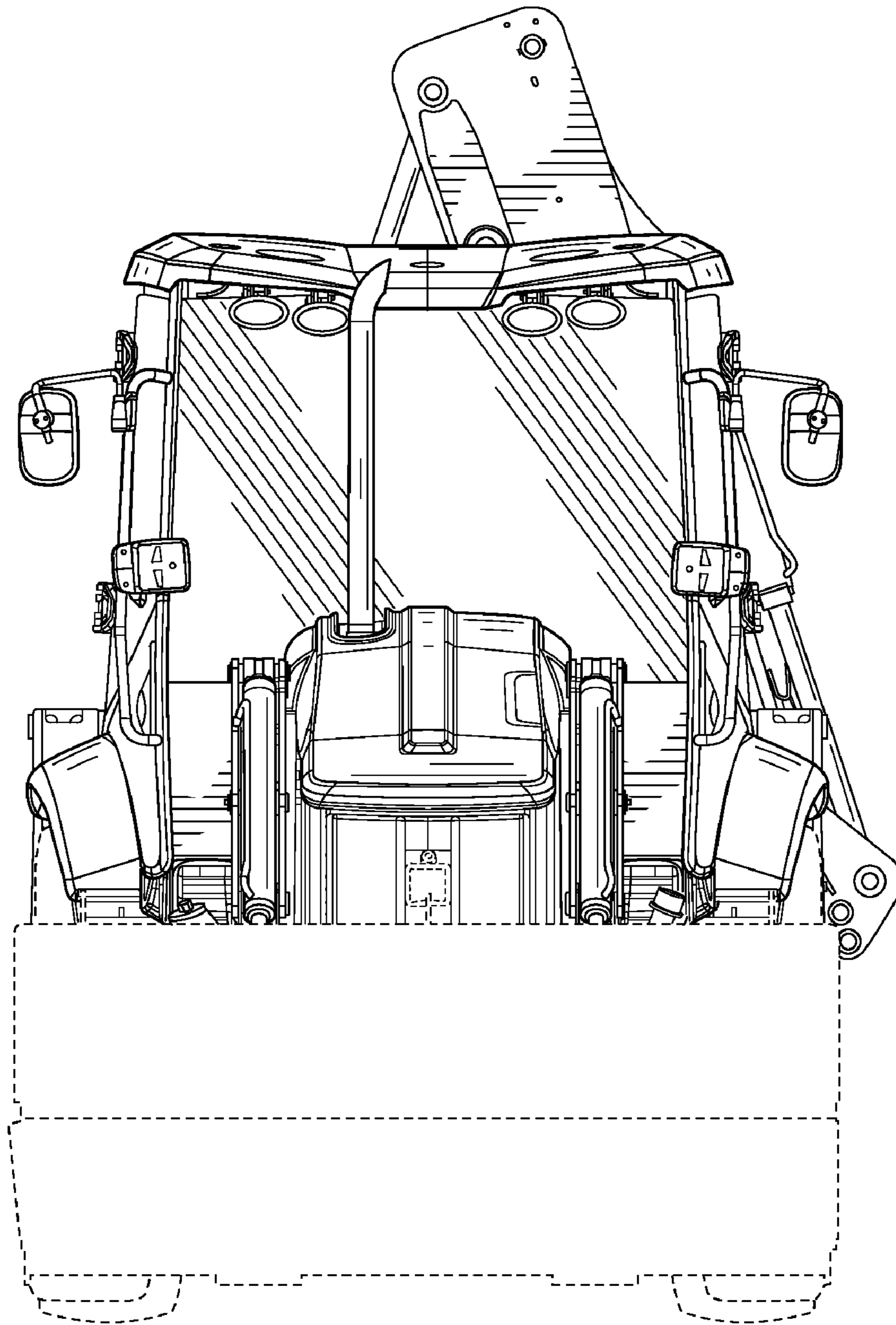
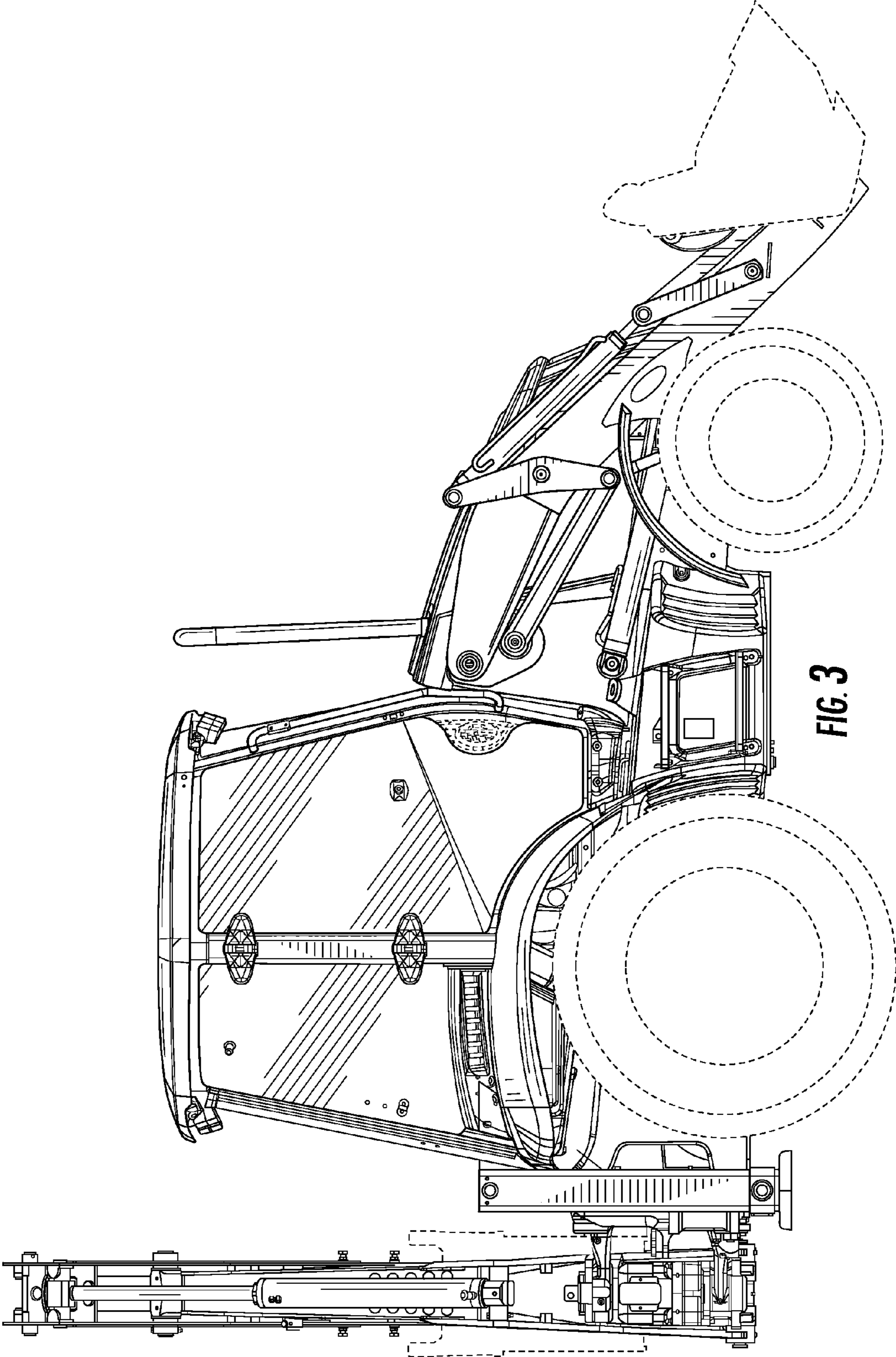


FIG. 2



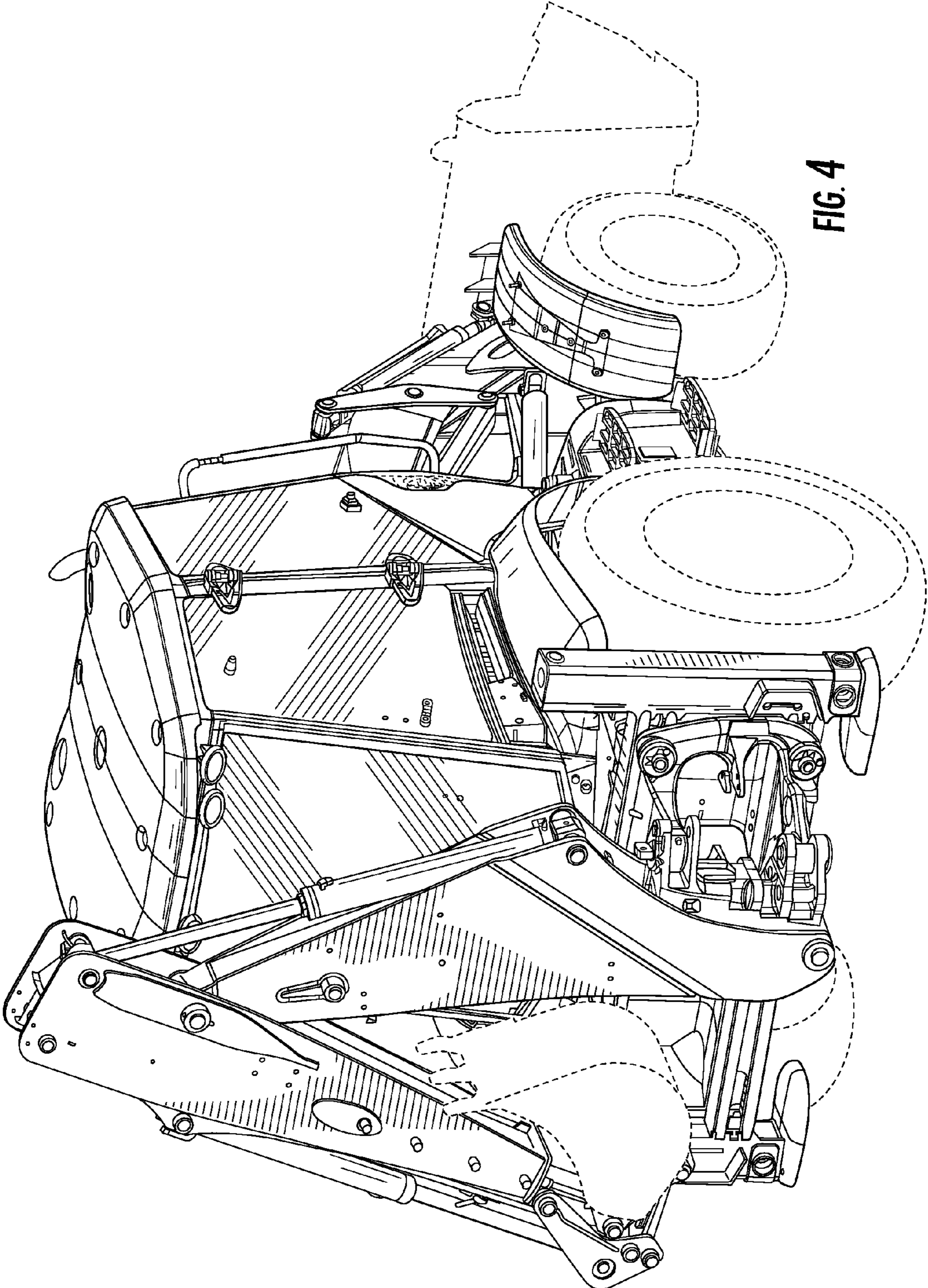


FIG. 4

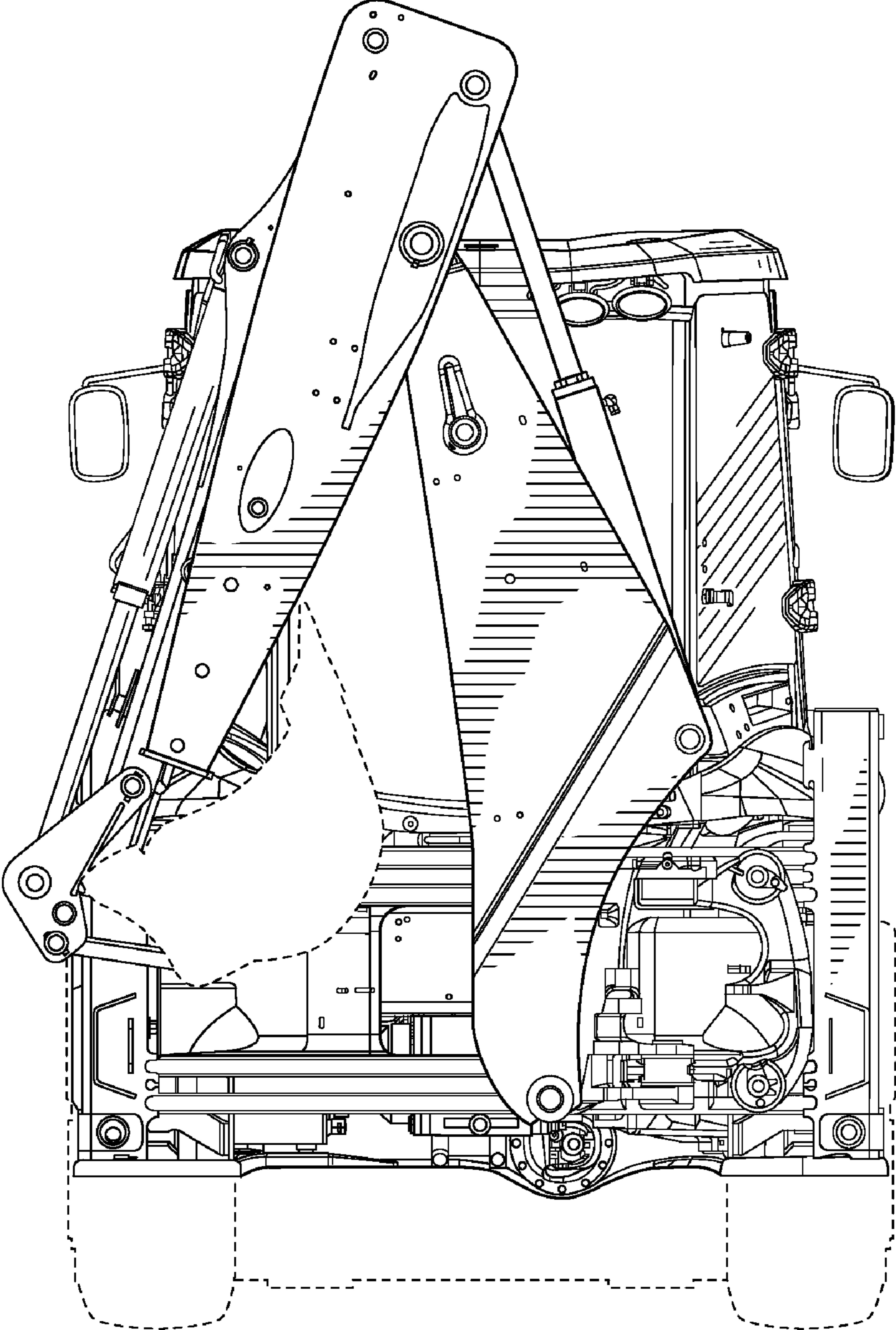


FIG. 5

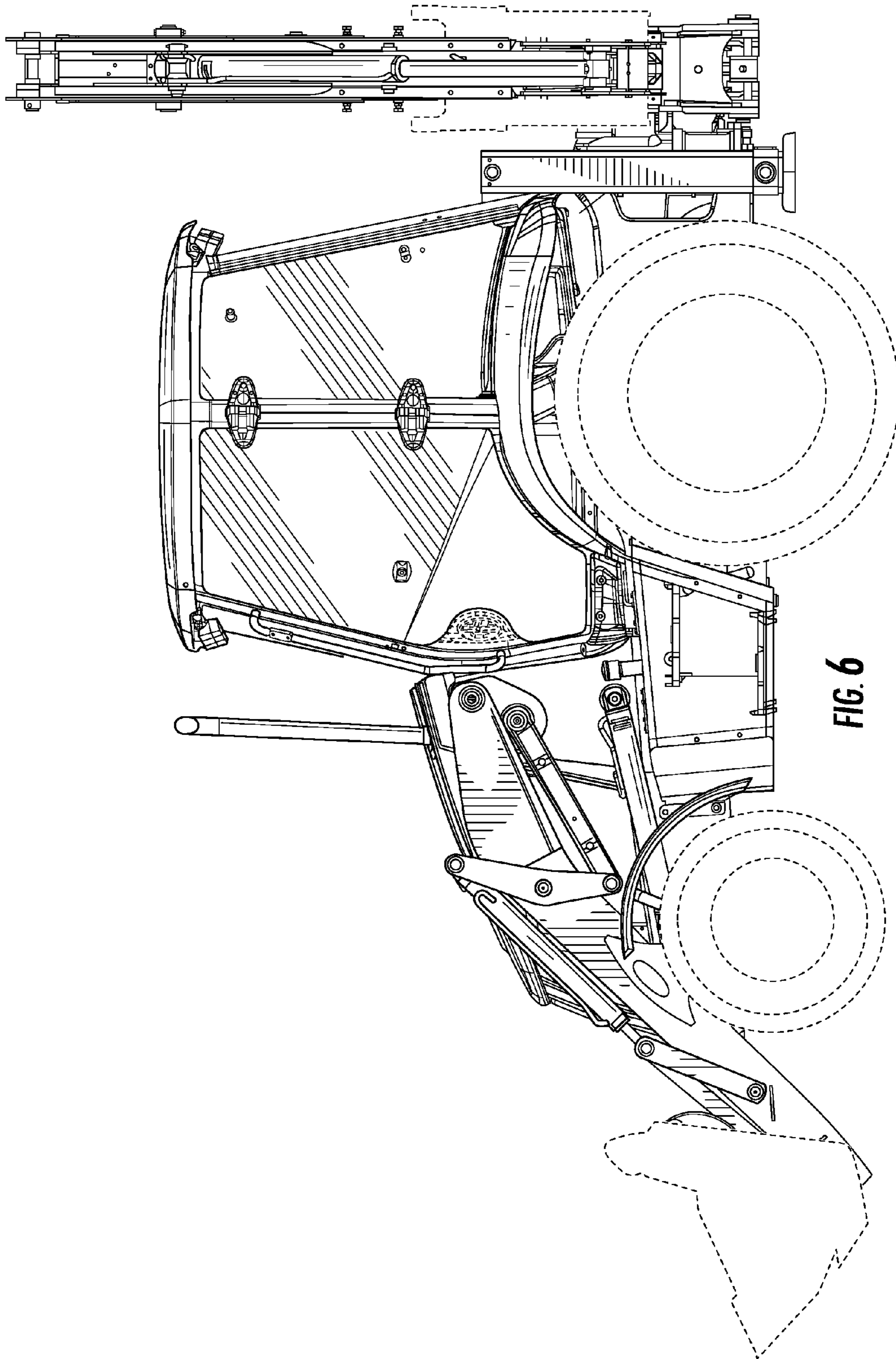


FIG. 6

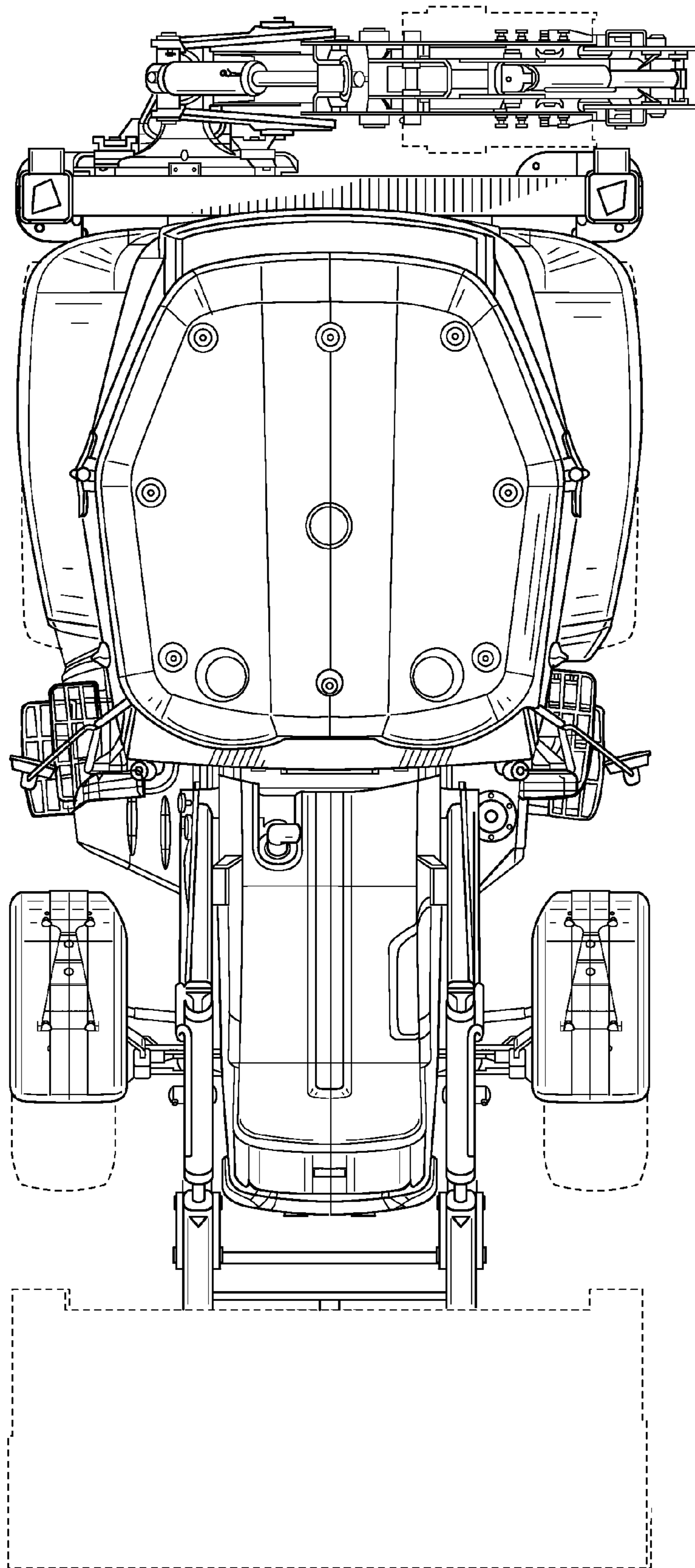


FIG. 7