



US00D628598S

(12) **United States Design Patent**  
**Neeley et al.**

(10) **Patent No.:** **US D628,598 S**  
(45) **Date of Patent:** **\*\* Dec. 7, 2010**

(54) **WALK BEHIND MOWER**

(75) Inventors: **Brian D. Neeley**, West Bend, WI (US);  
**Tandrea Sperfslage**, West Bend, WI  
(US); **Kenneth R. Breitenstein**,  
Cedarburg, WI (US); **William Lowe**,  
Stockbridge, GA (US); **Brian Grewe**,  
Covington, GA (US); **Stephen C. Price**,  
Barnesville, GA (US); **David Tiedeman**,  
Eatonton, GA (US)

(73) Assignee: **Briggs & Stratton Corporation**,  
Wauwatosa, WI (US)

(\*\*) Term: **14 Years**

(21) Appl. No.: **29/358,431**

(22) Filed: **Mar. 26, 2010**

(51) **LOC (9) Cl.** ..... **15-03**

(52) **U.S. Cl.** ..... **D15/14**

(58) **Field of Classification Search** ..... D15/10,  
D15/14-16; 56/11.9, 16.7, 17.1, 17.4, 17.5,  
56/202, 254, 255, 320.1, 320.2, 294, 295,  
56/12.8, 13.4, 11.4  
See application file for complete search history.

(56) **References Cited**

U.S. PATENT DOCUMENTS

4,312,174 A \* 1/1982 Vanderhoef ..... 56/320.2  
D274,250 S \* 6/1984 Allen et al. .... D15/14  
D276,047 S \* 10/1984 Sasaki ..... D15/14  
D307,911 S \* 5/1990 Miyawaki et al. .... D15/14  
D317,165 S \* 5/1991 Schweitz et al. .... D15/14  
D319,447 S \* 8/1991 Oshima et al. .... D15/14  
D330,210 S \* 10/1992 Sirois et al. .... D15/14  
5,251,711 A \* 10/1993 Meyer et al. .... 180/19.1  
D381,665 S \* 7/1997 Hinklin et al. .... D15/14

D384,083 S \* 9/1997 Hinklin ..... D15/14  
5,676,117 A \* 10/1997 Williams ..... 123/527  
D421,265 S \* 2/2000 Ohsumi et al. .... D15/14  
D449,840 S \* 10/2001 Concari et al. .... D15/14  
D450,064 S \* 11/2001 Concari et al. .... D15/14  
D456,030 S \* 4/2002 Maeda ..... D15/14  
D460,973 S \* 7/2002 Jong ..... D15/14  
D489,734 S \* 5/2004 Lin ..... D15/14  
D497,918 S \* 11/2004 Osborne et al. .... D15/14  
D500,054 S \* 12/2004 Jager ..... D15/14  
D610,167 S \* 2/2010 Martin et al. .... D15/14  
D622,291 S \* 8/2010 Martin et al. .... D15/14

\* cited by examiner

*Primary Examiner*—Mark A Goodwin

(74) *Attorney, Agent, or Firm*—Andrus, Scales, Starke &  
Sawall, LLP

(57) **CLAIM**

The ornamental design for a walk behind mower, as shown  
and described.

**DESCRIPTION**

FIG. 1 is a front perspective view of a walk behind mower  
showing our new design;

FIG. 2 is a top plan view of the walk behind mower;

FIG. 3 is a right side elevation view of the walk behind  
mower;

FIG. 4 is a left side elevation view of the walk behind mower;

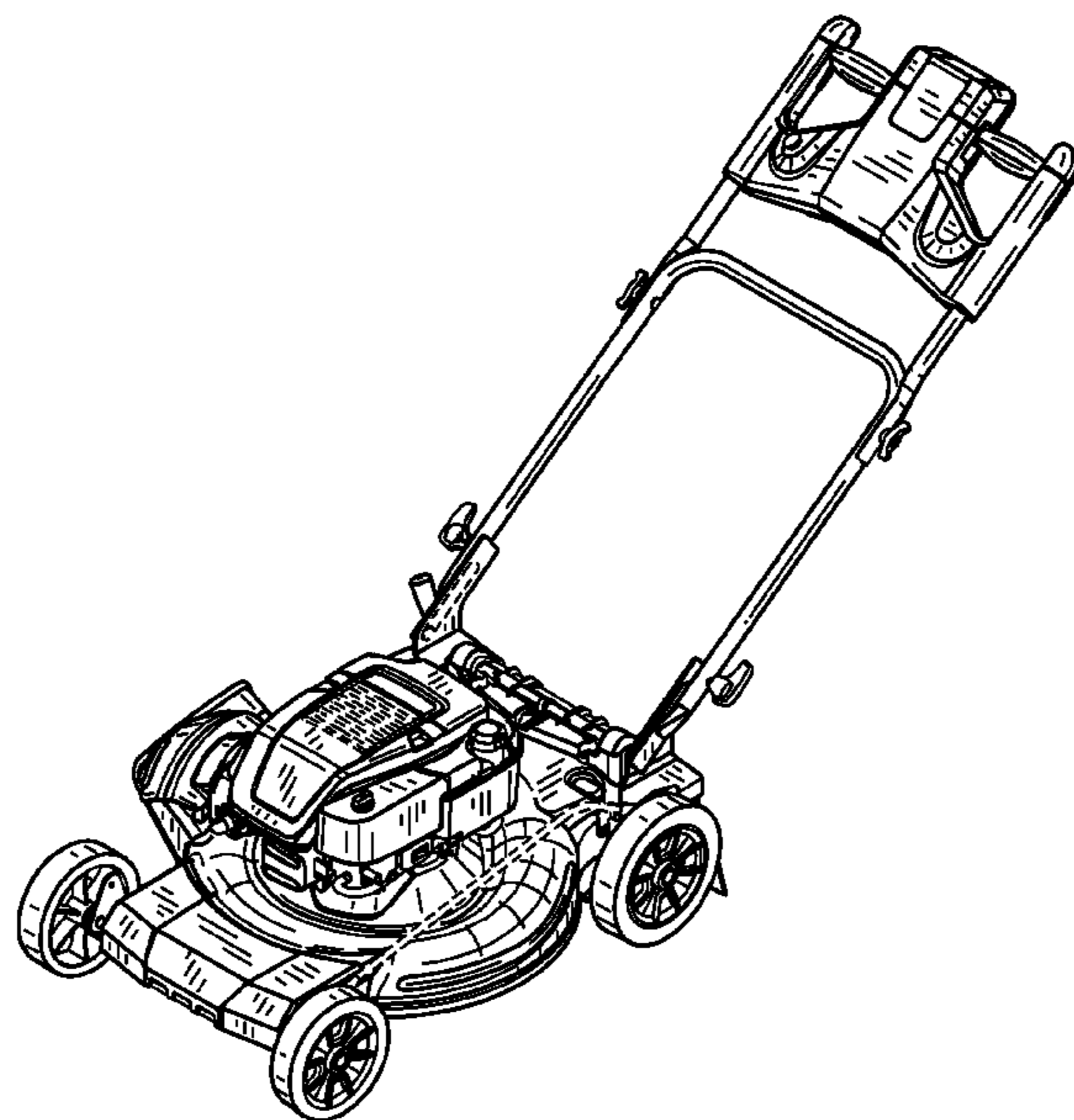
FIG. 5 is a front elevation view of the walk behind mower;

FIG. 6 is a rear view of the walk behind mower; and,

FIG. 7 is a bottom plan view of the walk behind mower.

The broken line showing in the figures is included for the  
purpose of illustrating portions of a walk behind mower and  
forms no part of the claimed design.

**1 Claim, 6 Drawing Sheets**



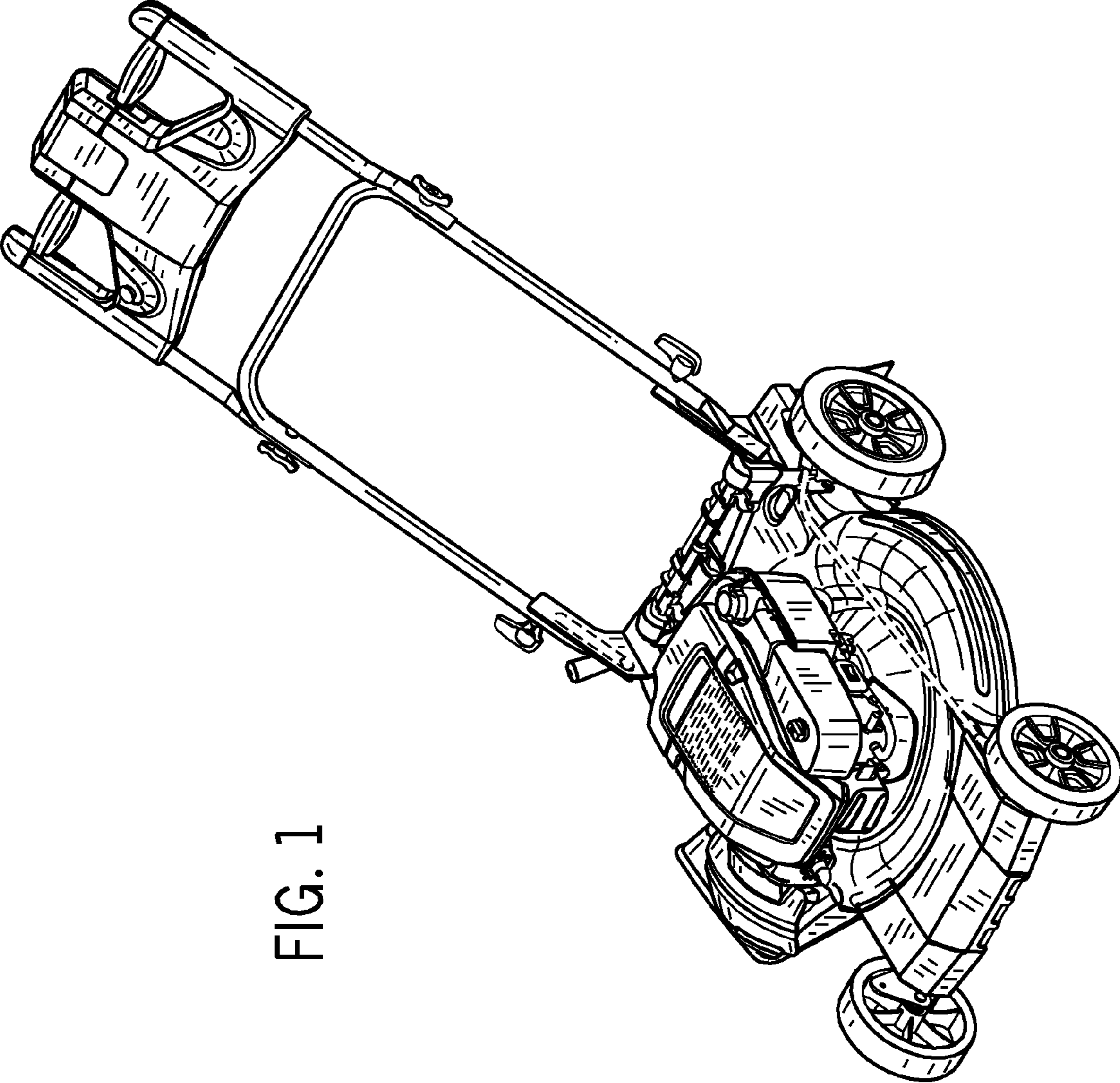


FIG. 1

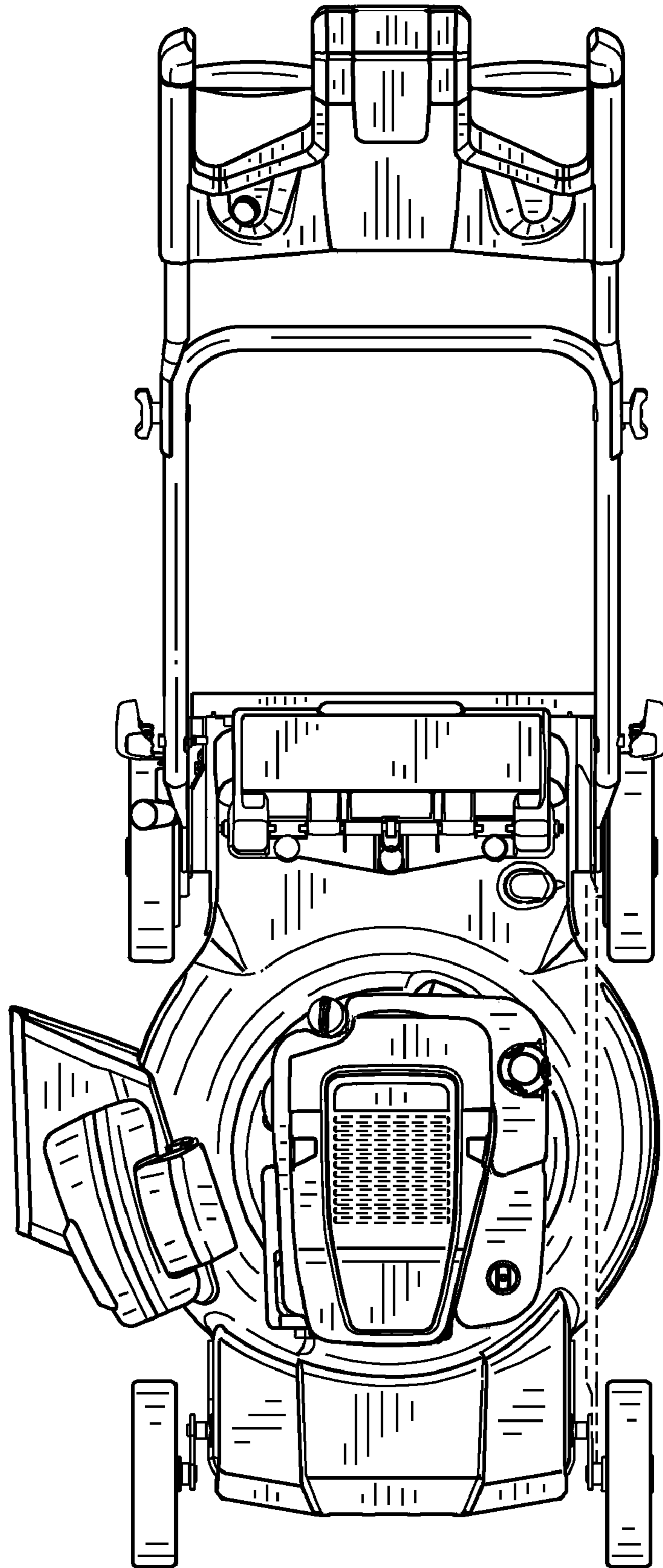


FIG. 2



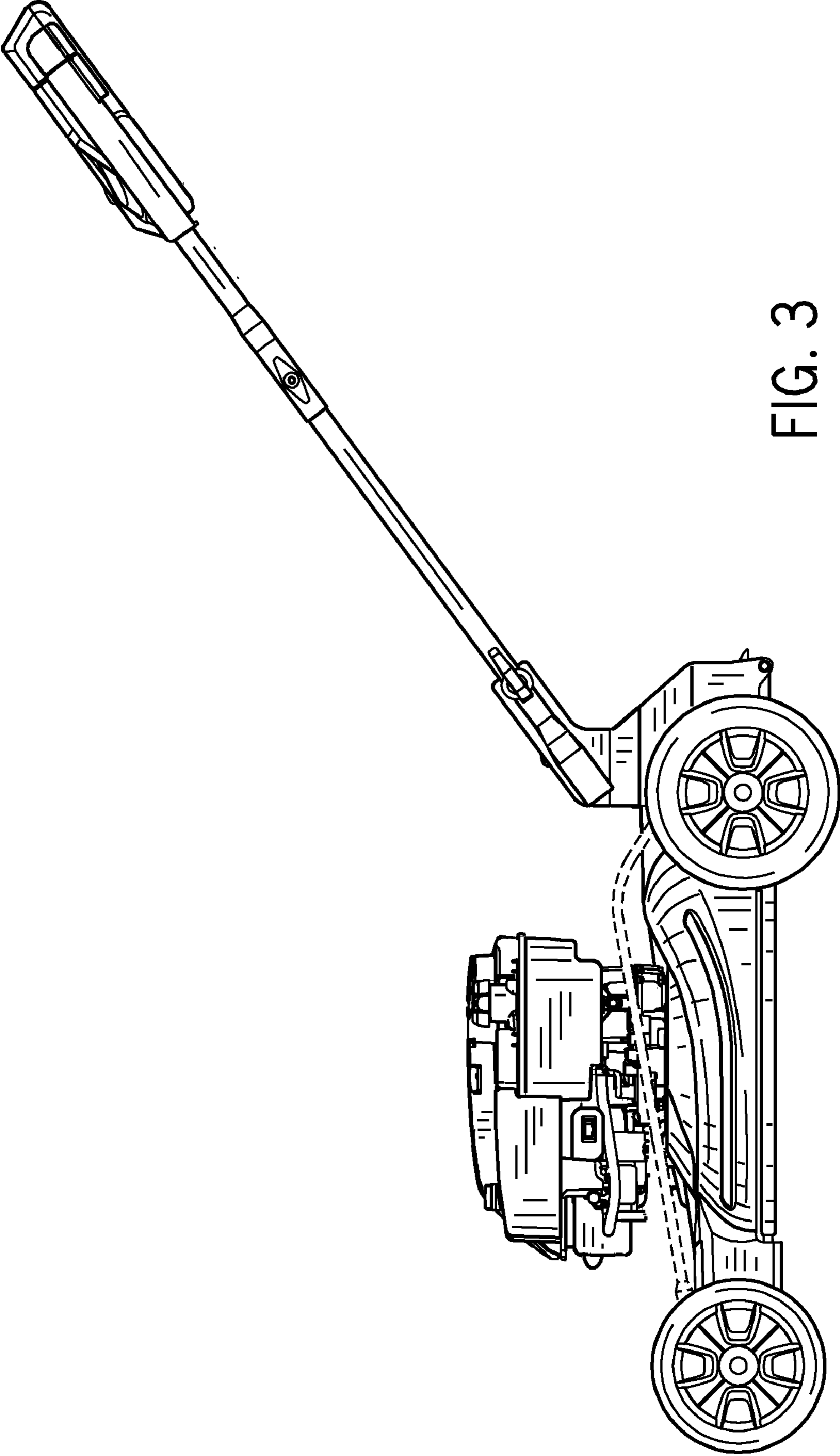


FIG. 3

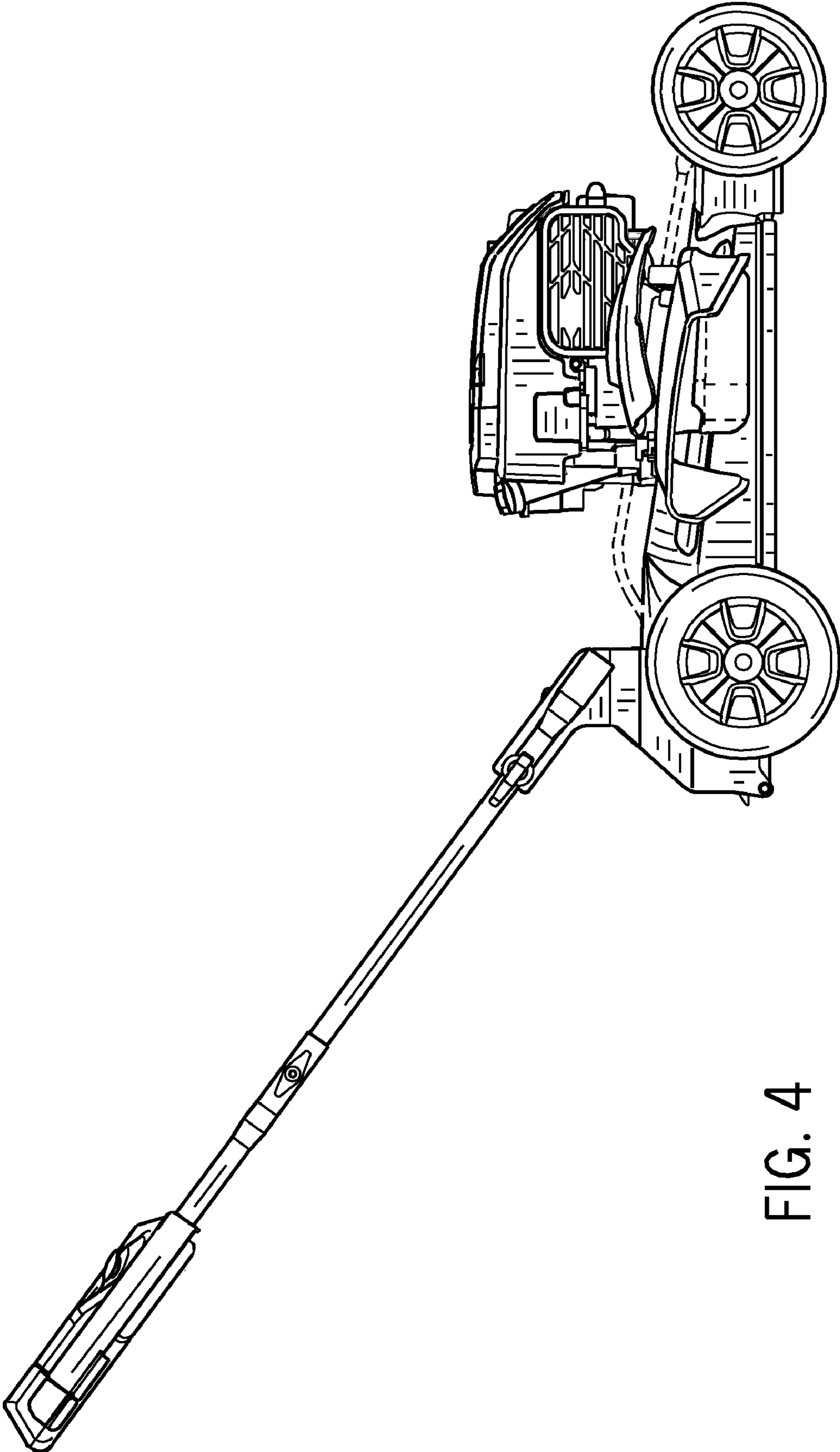


FIG. 4

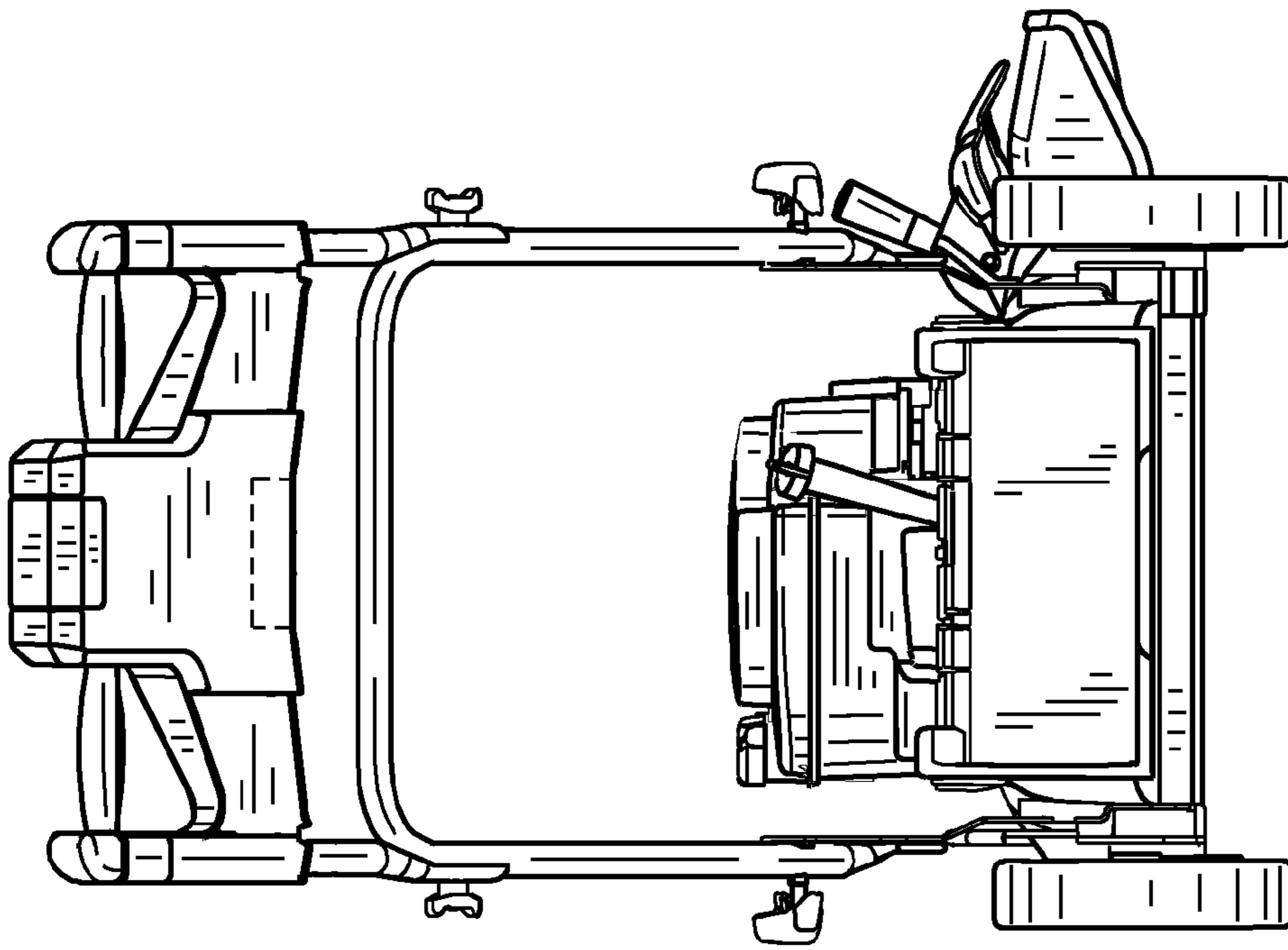


FIG. 6

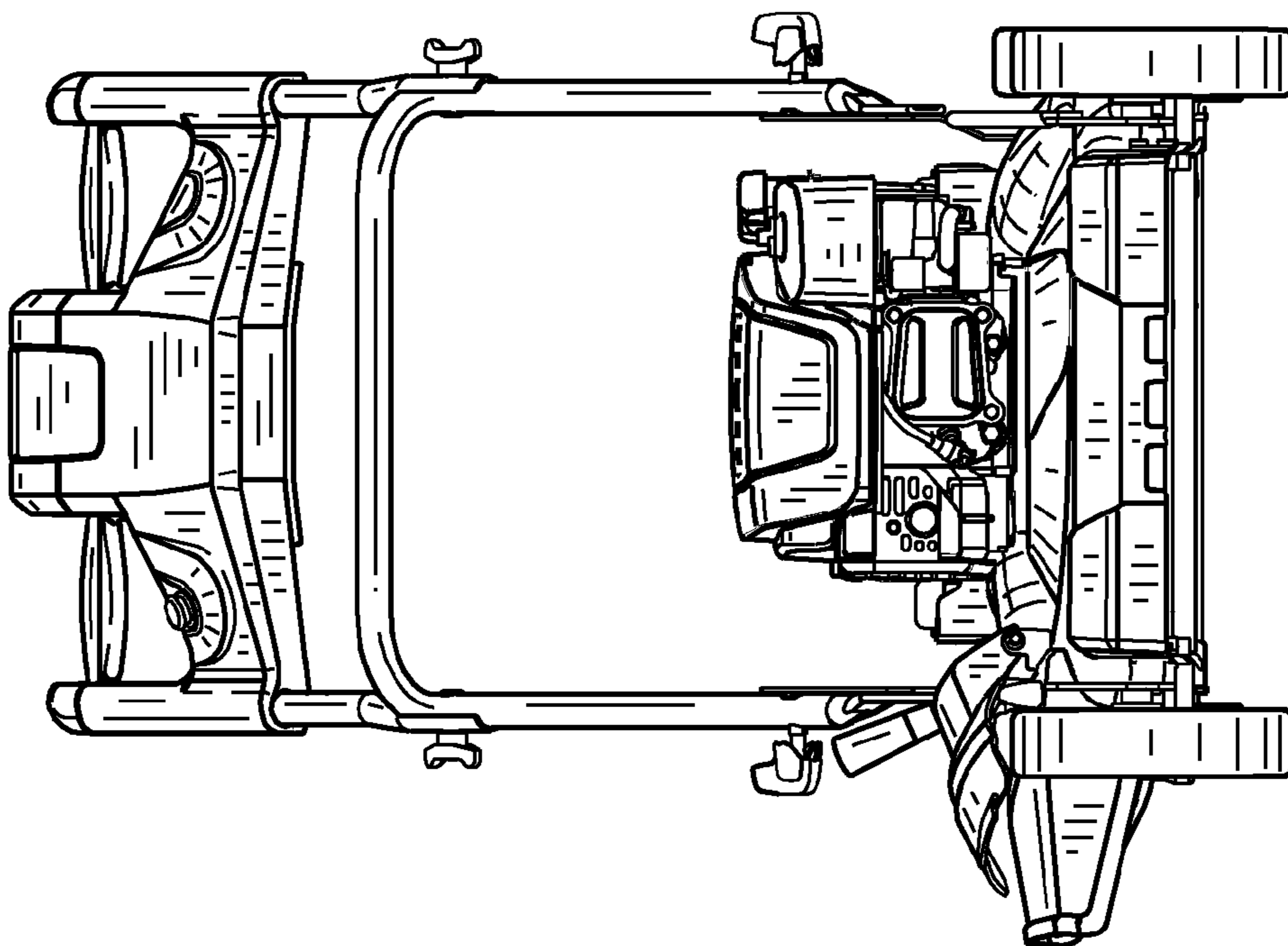


FIG. 5

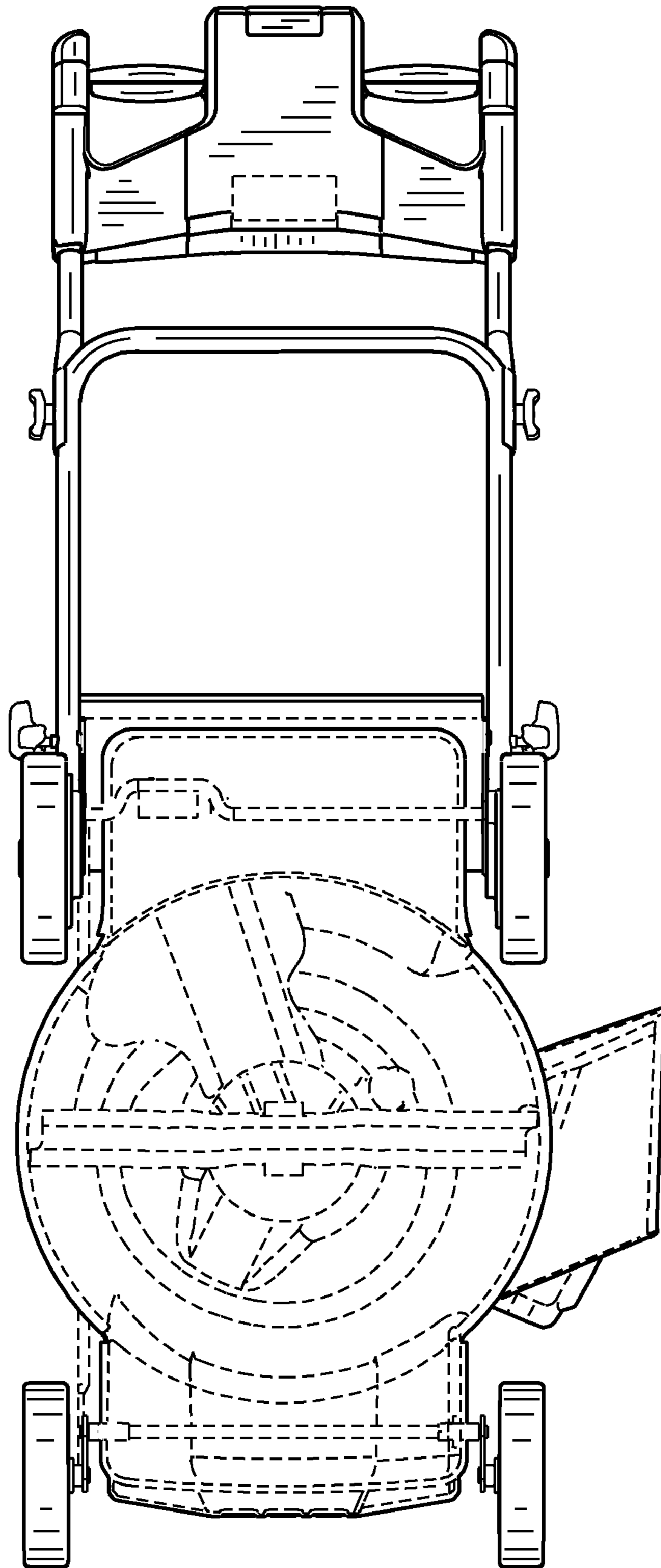


FIG. 7