



US00D628597S

(12) **United States Design Patent**  
**Dai et al.**

(10) **Patent No.:** **US D628,597 S**  
(45) **Date of Patent:** **\*\* Dec. 7, 2010**

(54) **INTERNAL-COMBUSTION ENGINE**

(75) Inventors: **Ruiyi Dai**, Chongqing (CN); **Bing Liu**, Chongqing (CN); **Ju Lei**, Chongqing (CN)

(73) Assignee: **Loncin Industry Co., Ltd.**, Chongqing (CN)

(\*\*) Term: **14 Years**

(21) Appl. No.: **29/342,759**

(22) Filed: **Aug. 31, 2009**

(51) **LOC (9) Cl.** ..... **15-01**

(52) **U.S. Cl.** ..... **D15/1**

(58) **Field of Classification Search** ..... D15/1,  
D15/3, 5, 14-17; 74/606 R; 123/41.66,  
123/41.67, 41.7, 50 A, 50 B, 50 R, 51 A,  
123/51 R, 195 C, 198 E, 306, 308, 657, 661,  
123/667

See application file for complete search history.

(56) **References Cited**

**U.S. PATENT DOCUMENTS**

D506,760 S \* 6/2005 Lin et al. .... D15/1

D556,778 S \* 12/2007 Yoshimatsu et al. .... D15/3  
D581,945 S \* 12/2008 Che et al. .... D15/3  
D591,767 S \* 5/2009 Lee ..... D15/1  
D603,425 S \* 11/2009 Che et al. .... D15/1

\* cited by examiner

*Primary Examiner*—Cathron C. Brooks

*Assistant Examiner*—Maurice Stevens

(74) *Attorney, Agent, or Firm*—Sawyer Law Group, P.C.

(57) **CLAIM**

The ornamental design for an internal-combustion engine, as shown and described.

**DESCRIPTION**

FIG. 1 is a side perspective view of the internal-combustion engine.

FIG. 2 is a left side view of the internal-combustion engine.

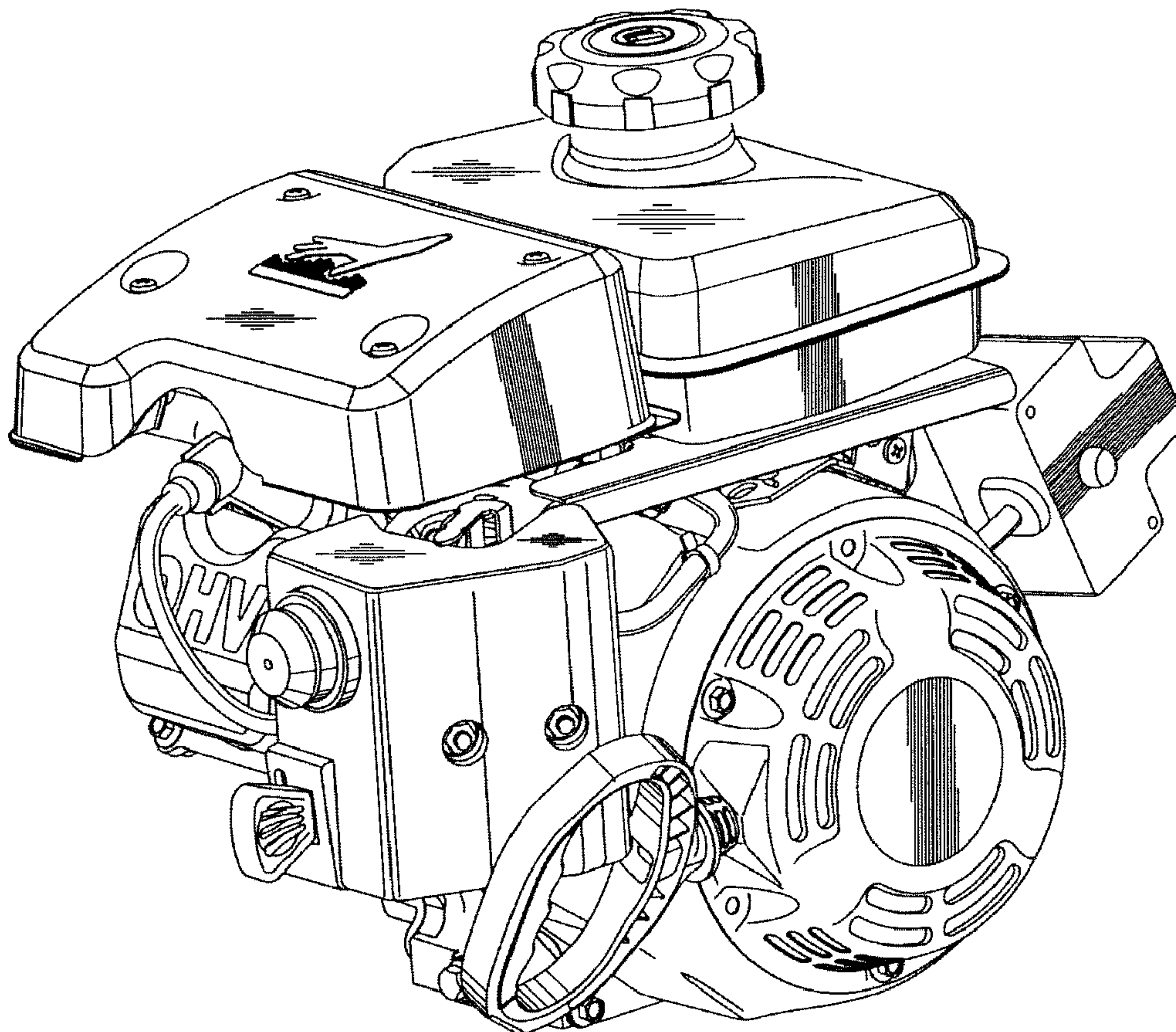
FIG. 3 is a right side view of the internal-combustion engine.

FIG. 4 is a rear view of the internal-combustion engine.

FIG. 5 is a front view of the internal-combustion engine; and,

FIG. 6 is a bottom view of the internal-combustion engine.

**1 Claim, 6 Drawing Sheets**



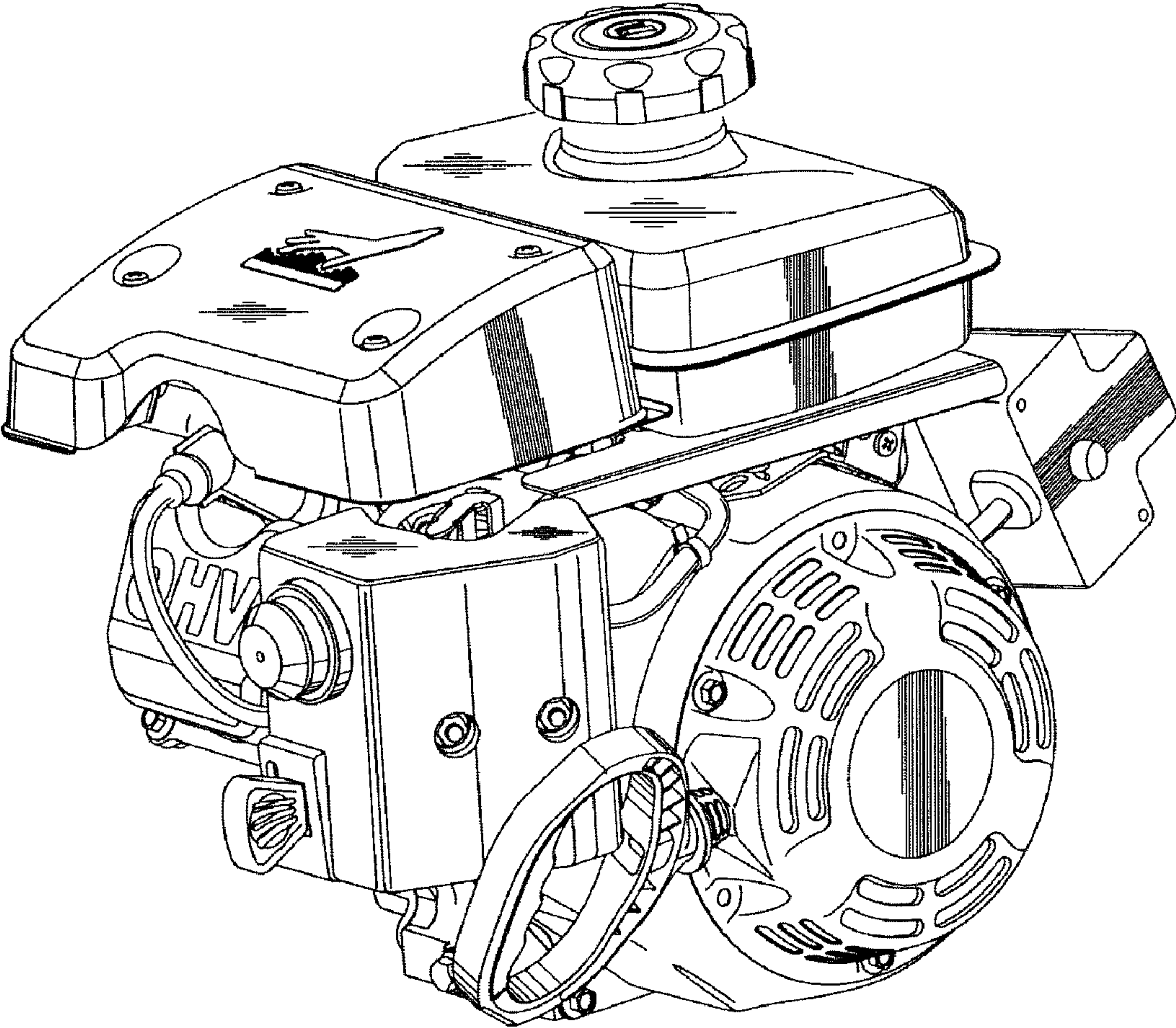


FIGURE 1



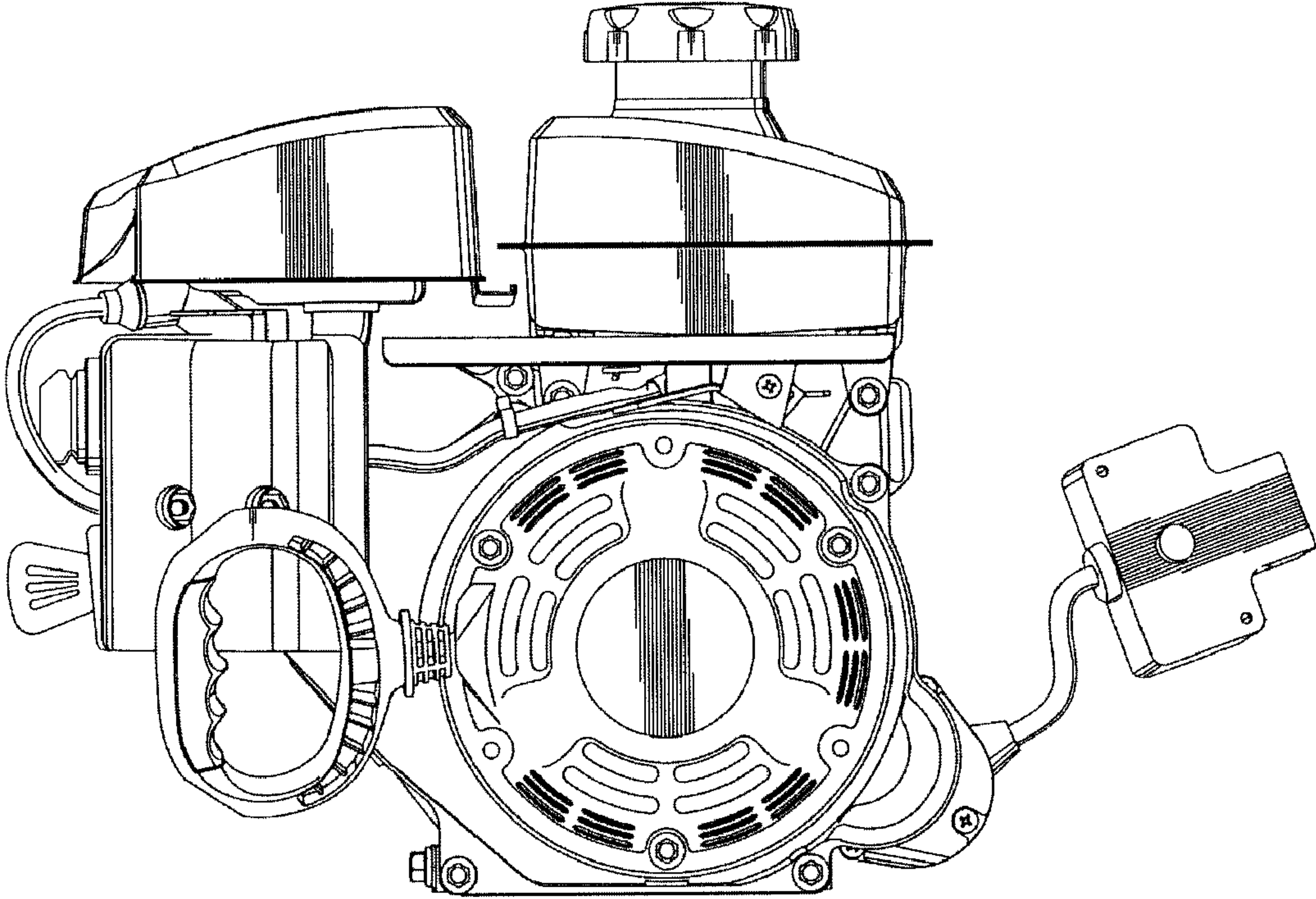


FIGURE 2

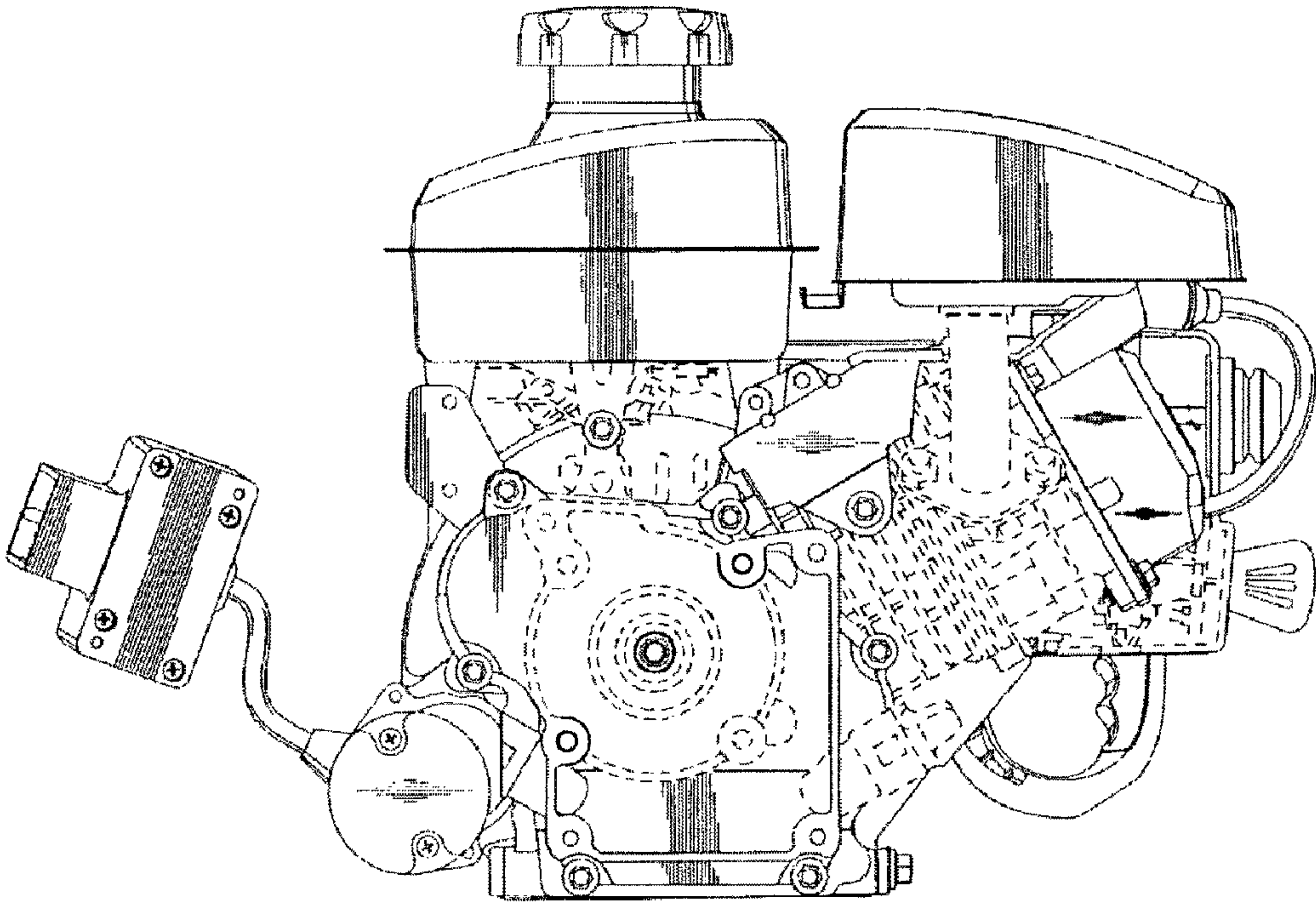


FIGURE 3

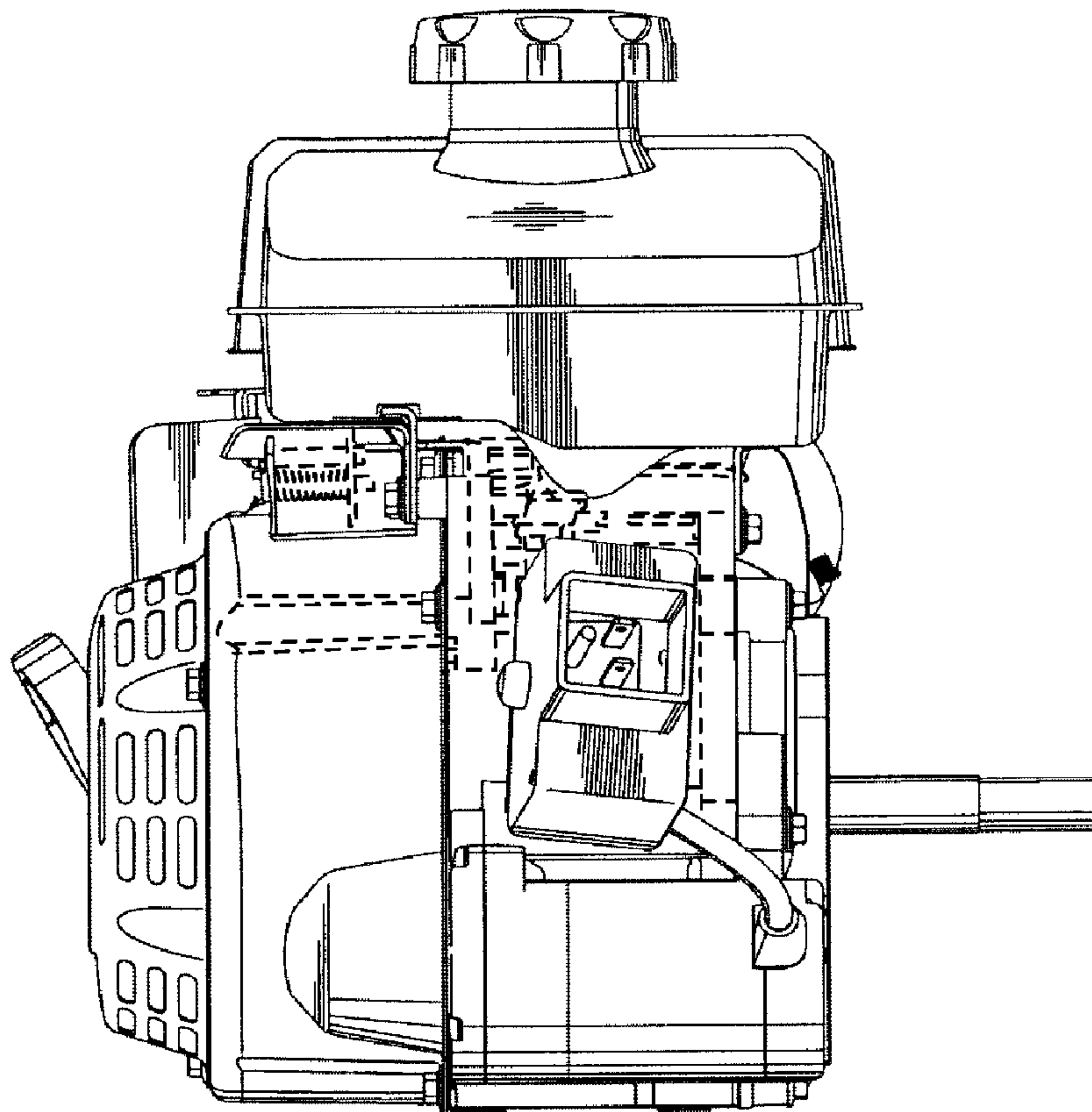


FIGURE 4

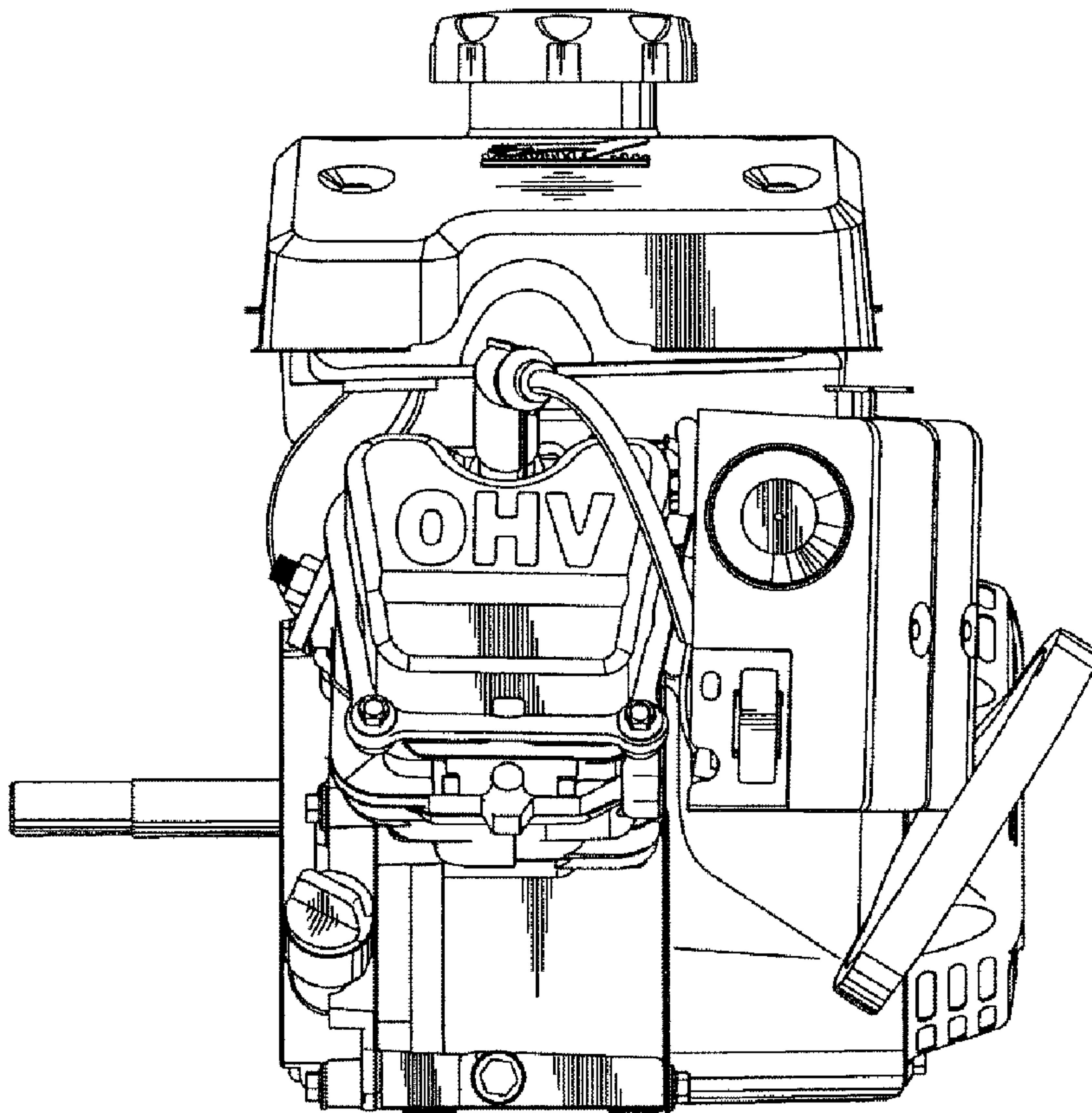


FIGURE 5

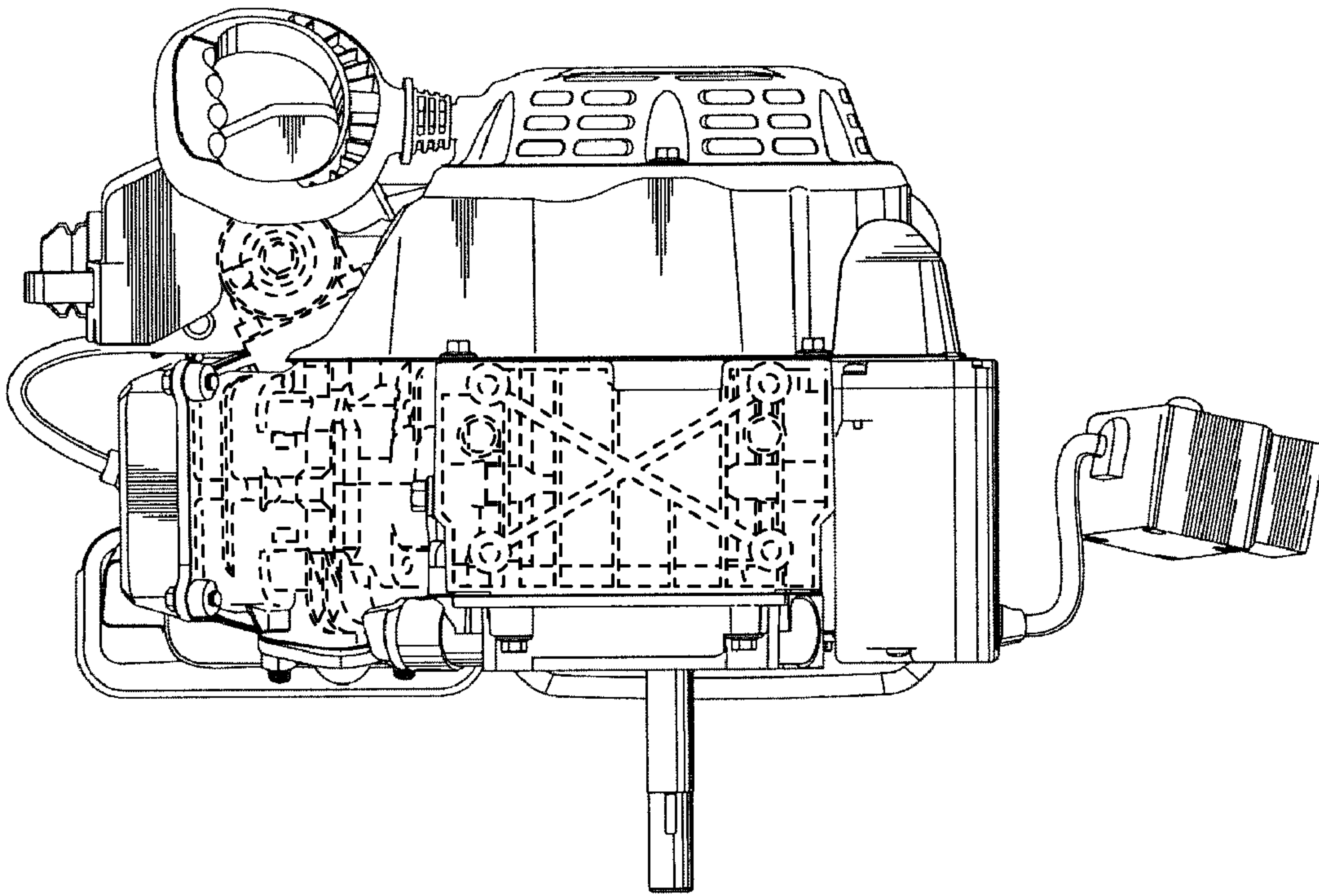


FIGURE 6