



US00D628578S

(12) **United States Design Patent**  
**Chou et al.**

(10) **Patent No.:** **US D628,578 S**  
(45) **Date of Patent:** **\*\* Dec. 7, 2010**

(54) **DISPLAY STAND**

(75) Inventors: **Chien Te Chou**, Taichung (TW);  
**Ming-Sung Lin**, Taipei (TW)

(73) Assignee: **Hannstar Display Corp.**, Taipei County (TW)

(\*\*) Term: **14 Years**

(21) Appl. No.: **29/363,046**

(22) Filed: **Jun. 3, 2010**

(51) **LOC (9) Cl.** ..... **08-07**

(52) **U.S. Cl.** ..... **D14/451**

(58) **Field of Classification Search** ..... D14/447,  
D14/451, 452, 239, 432, 434, 439, 448, 457,  
D14/251, 253, 224, 224.1, 126, 127, 371,  
D14/373, 374, 375; D8/363, 373, 380; 248/917,  
248/918, 919, 920, 921, 922, 923, 924, 441.1,  
248/460, 122.1, 125.7, 371, 176.1, 176.3,  
248/222.52, 276.1, 324; 361/679.06, 679.04,  
361/679.21, 679.22, 679.56

See application file for complete search history.

(56) **References Cited**

**U.S. PATENT DOCUMENTS**

D474,162 S *	5/2003	Kubota	.....	D14/126
D529,502 S *	10/2006	Huang et al.	.....	D14/375
D533,168 S *	12/2006	Inoue	.....	D14/239
D579,429 S *	10/2008	Baek et al.	.....	D14/126
D588,602 S *	3/2009	Chao et al.	.....	D14/451
D591,290 S *	4/2009	Park et al.	.....	D14/371
D592,664 S *	5/2009	Lee et al.	.....	D14/375

7,672,121 B2 *	3/2010	Li et al.	.....	361/679.21
7,694,922 B2 *	4/2010	Kim	.....	248/176.1
D617,801 S *	6/2010	Chang et al.	.....	D14/451
D621,408 S *	8/2010	Okoshi et al.	.....	D14/451
2005/0023418 A1 *	2/2005	Kim	.....	248/121
2007/0127194 A1 *	6/2007	She	.....	361/681

\* cited by examiner

*Primary Examiner*—Angela J Lee

(74) *Attorney, Agent, or Firm*—Muncy, Geissler, Olds & Lowe, PLLC

(57) **CLAIM**

The ornamental design for a display stand, as shown and described.

**DESCRIPTION**

FIG. 1 is a perspective view showing our new design for a display stand;

FIG. 2 is another perspective view thereof

FIG. 3 is a front elevational view thereof;

FIG. 4 is a rear elevational view thereof;

FIG. 5 is a left side elevational view thereof;

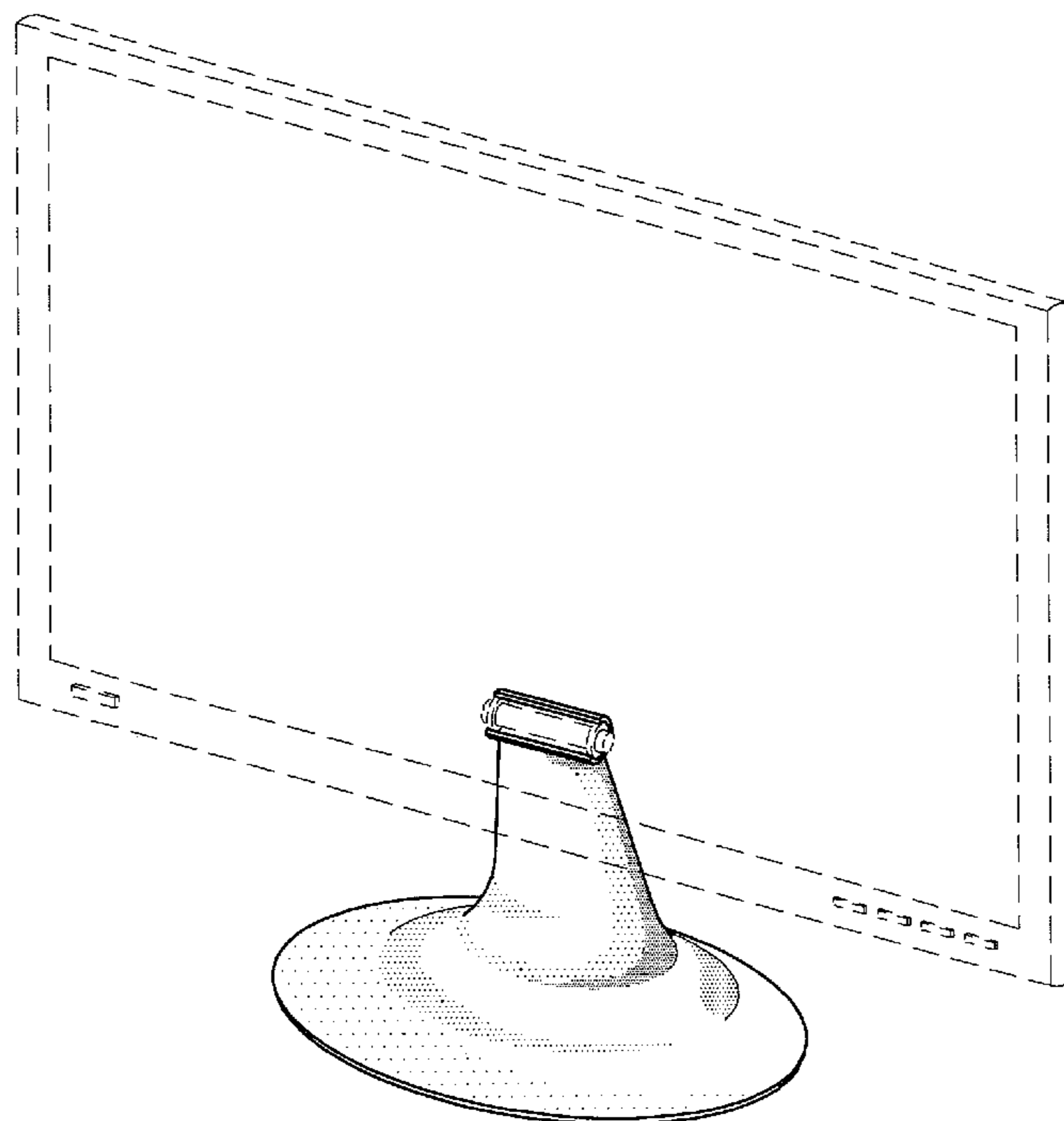
FIG. 6 is a right side elevational view thereof;

FIG. 7 is a top plan view thereof; and,

FIG. 8 is a bottom plan view thereof.

The broken line showing of unclaimed portions and a display is included for the purpose of illustrating environmental structure and forms no part of the claimed design.

**1 Claim, 8 Drawing Sheets**



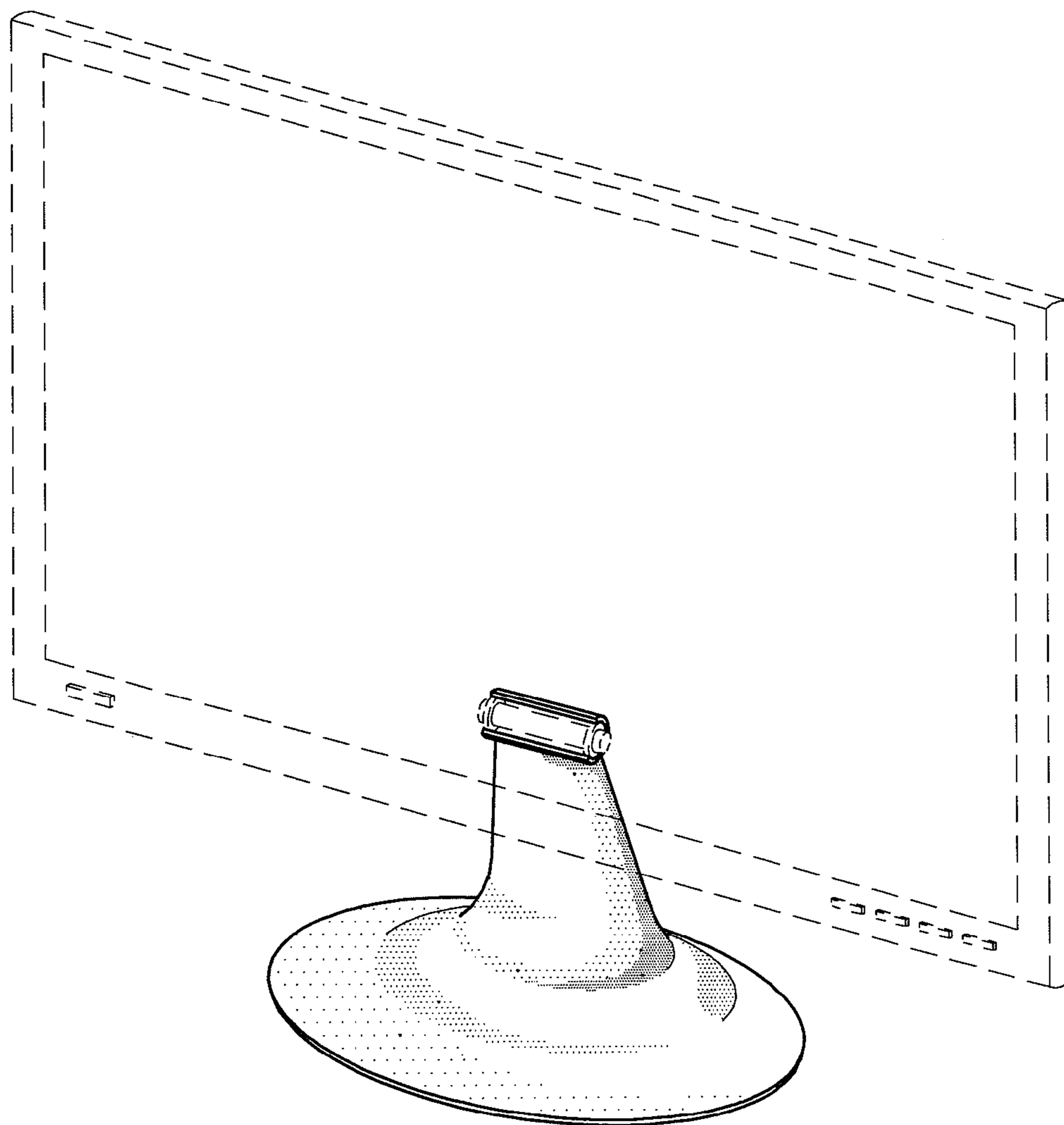


FIG. 1

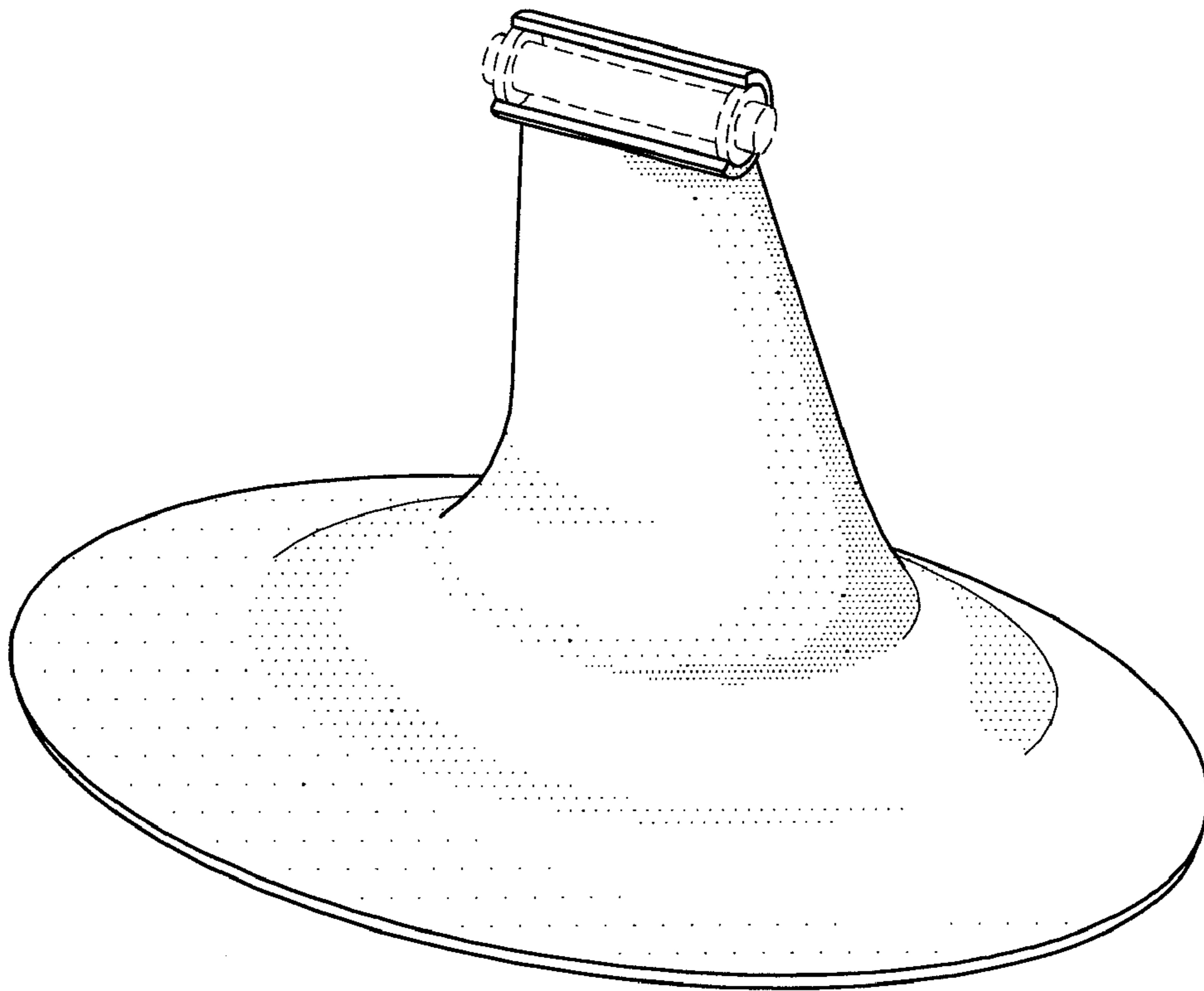


FIG. 2

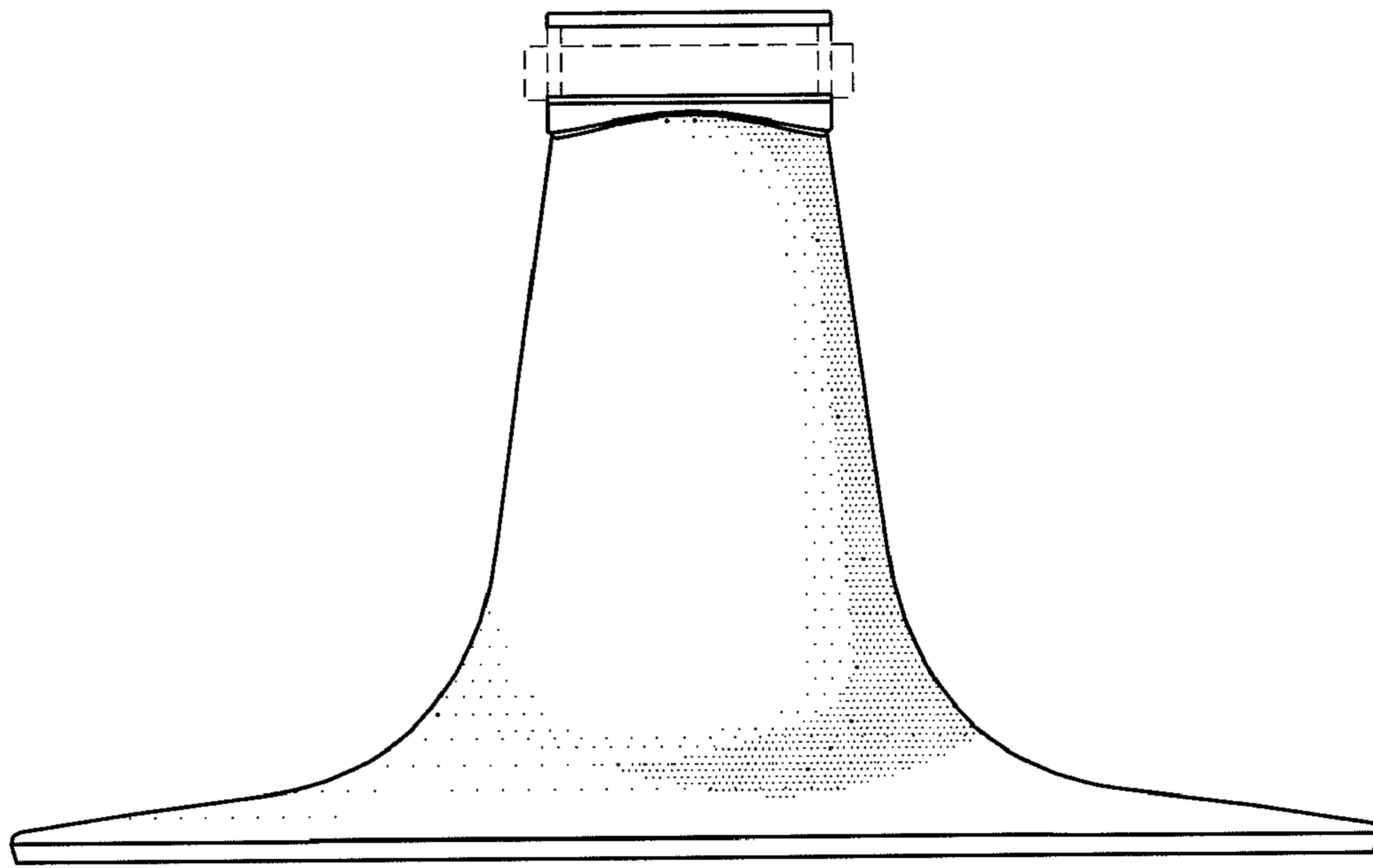


FIG. 3

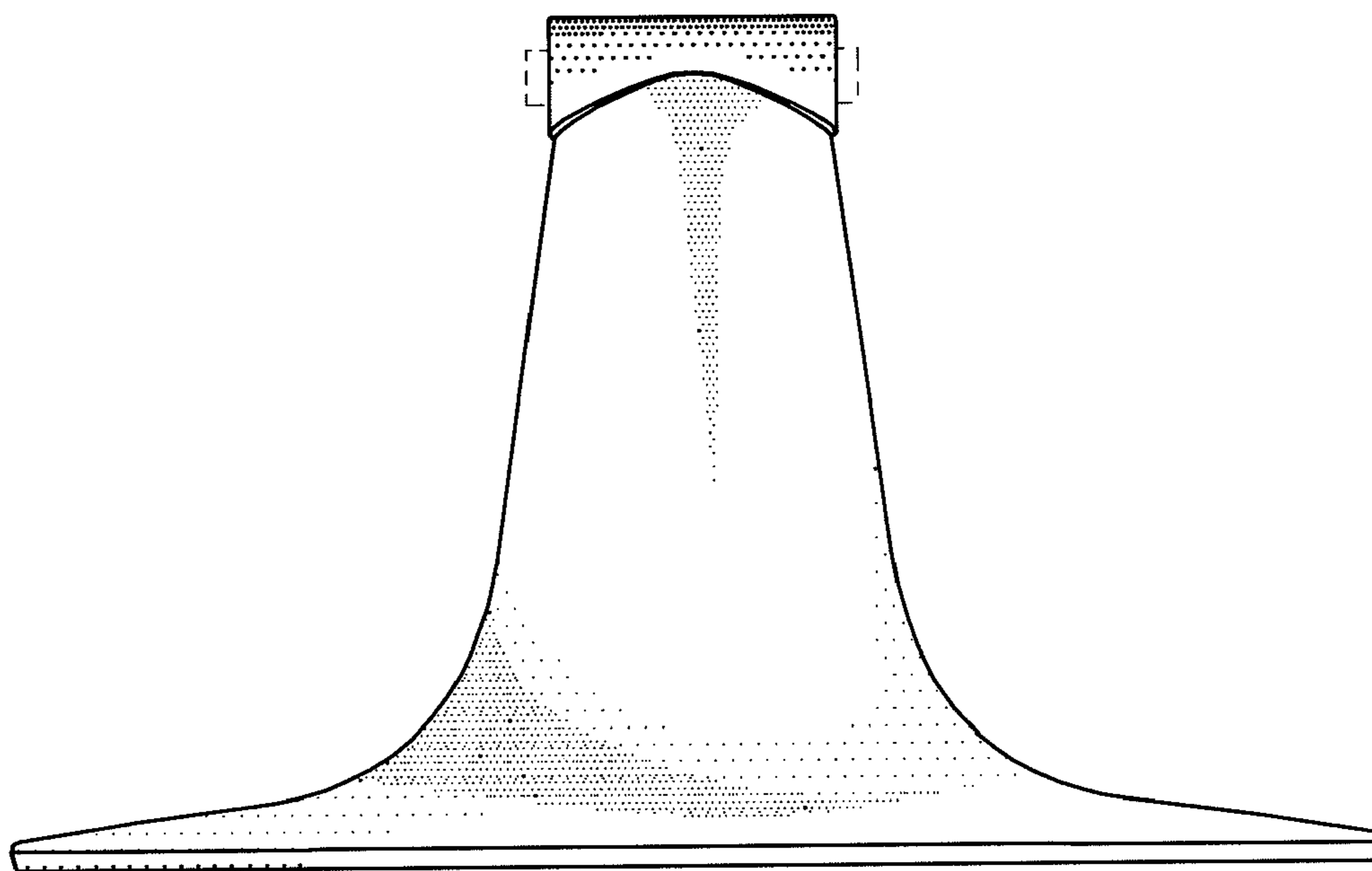


FIG. 4

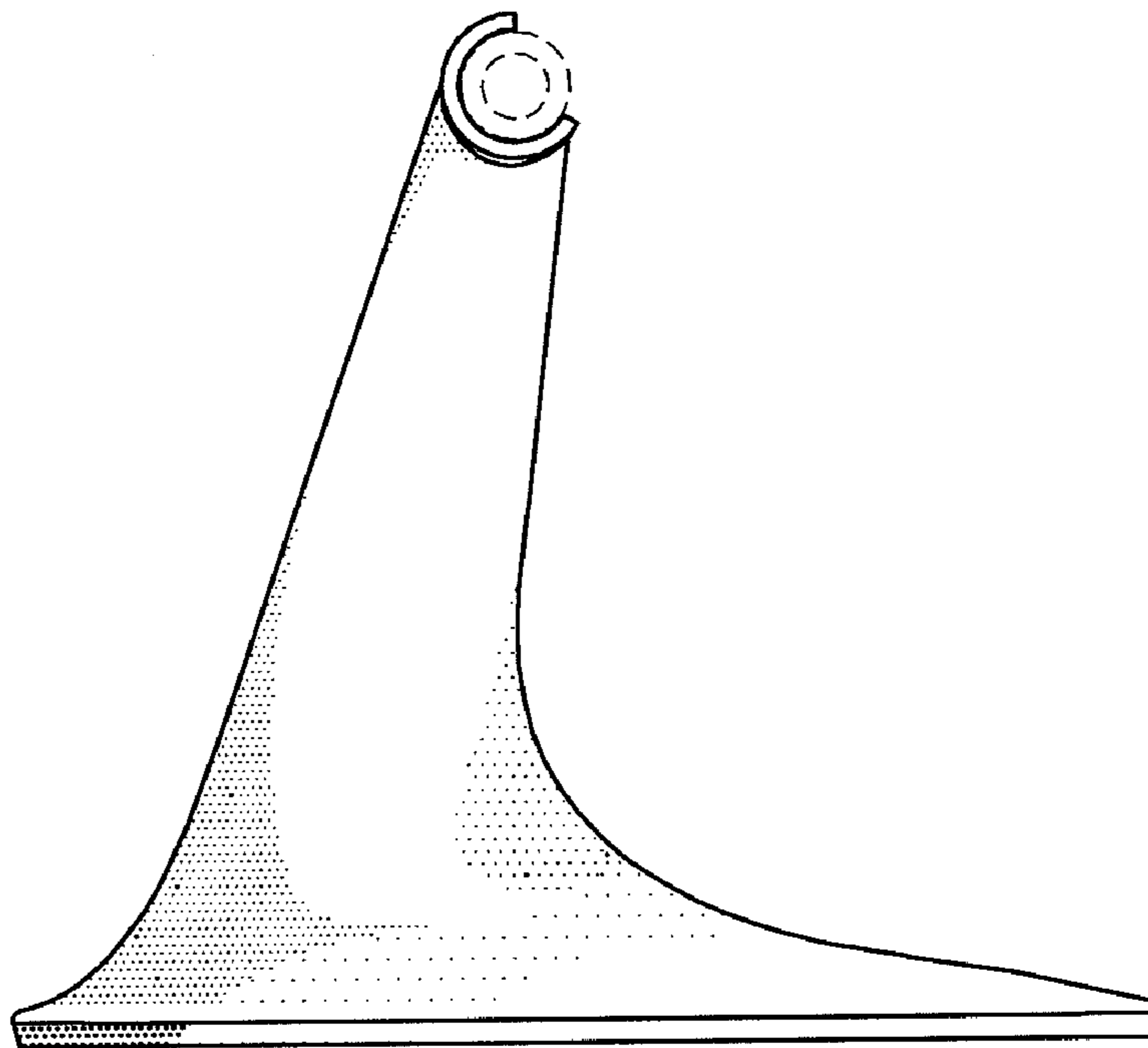


FIG. 5

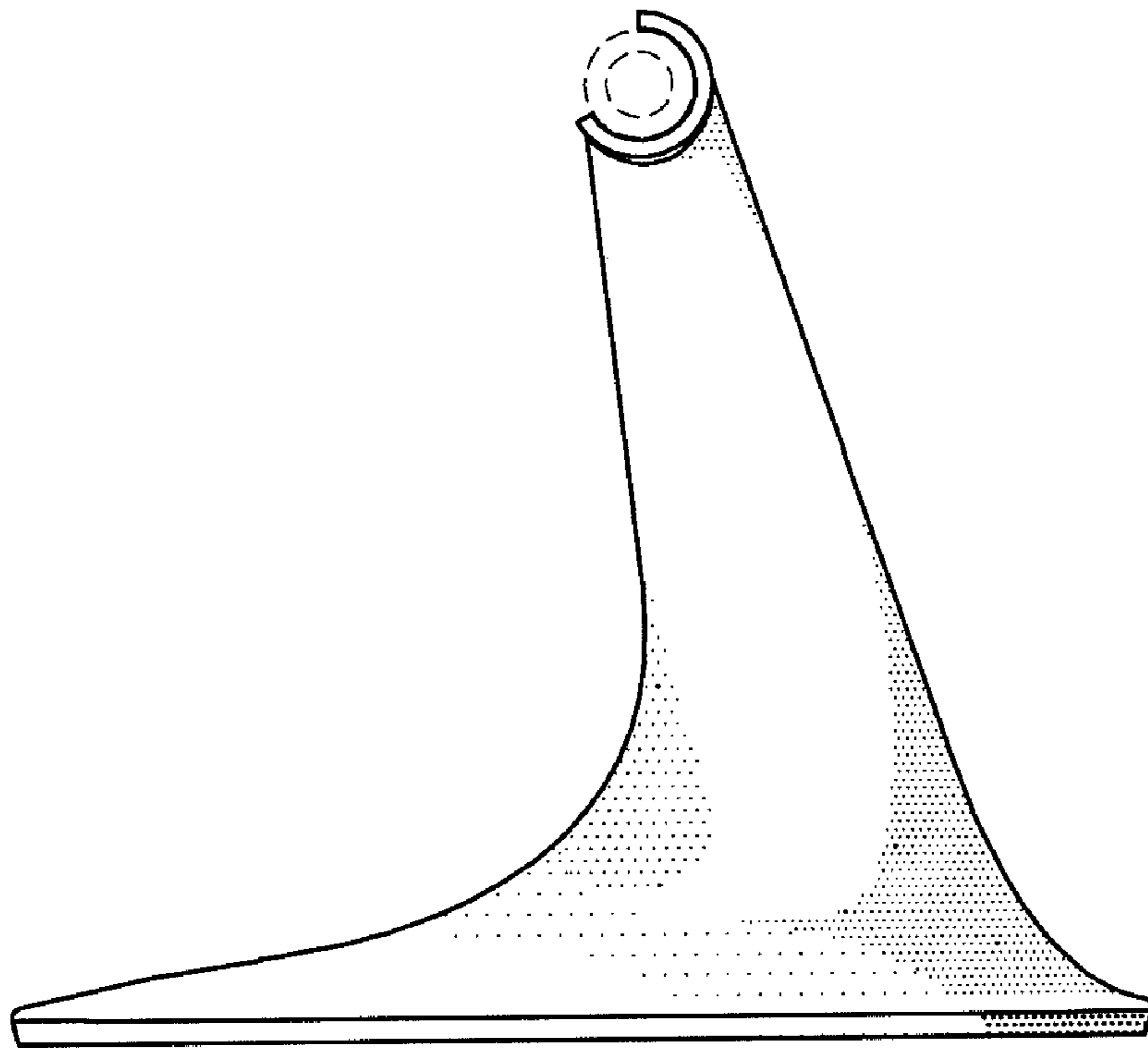


FIG. 6

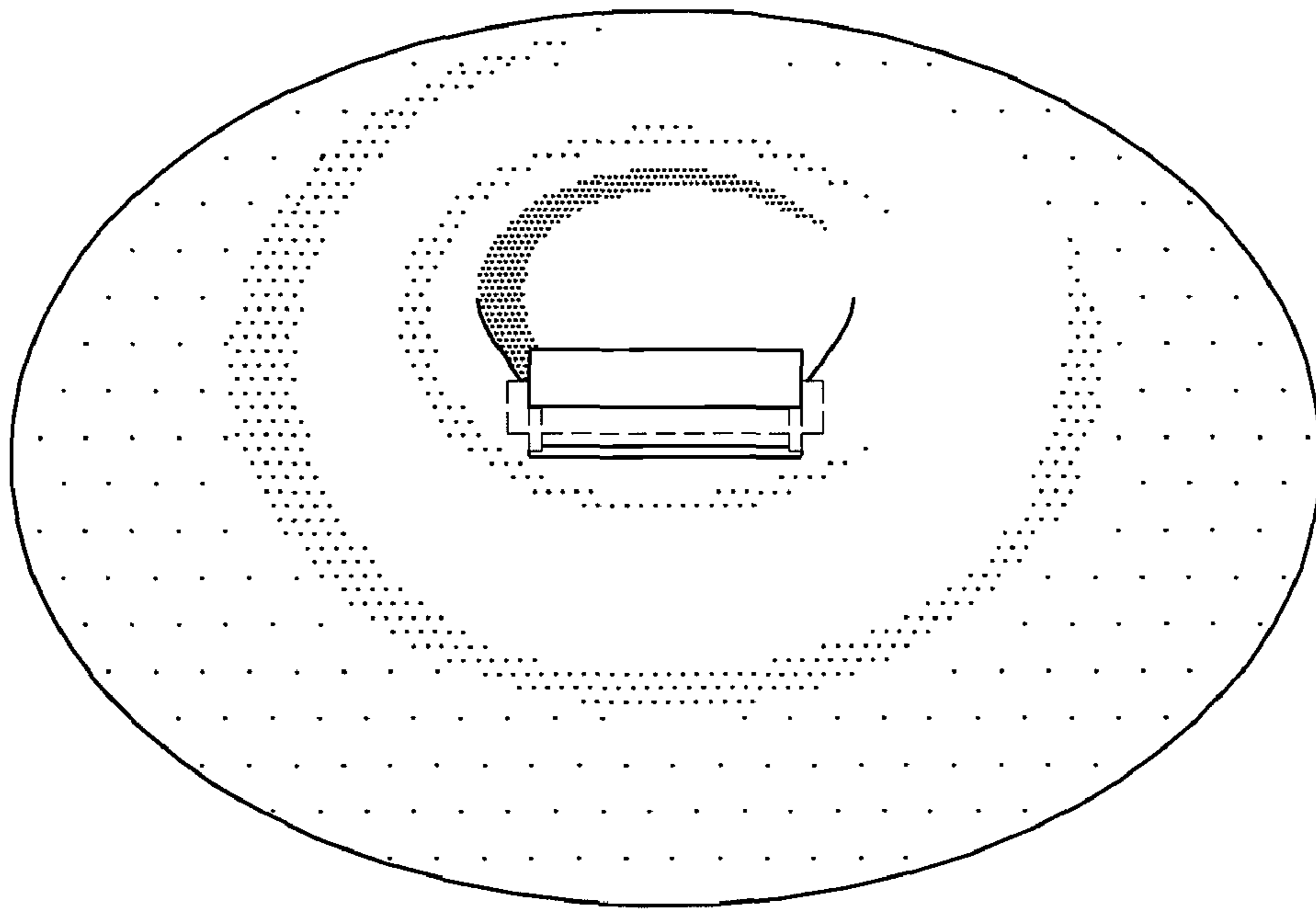


FIG. 7



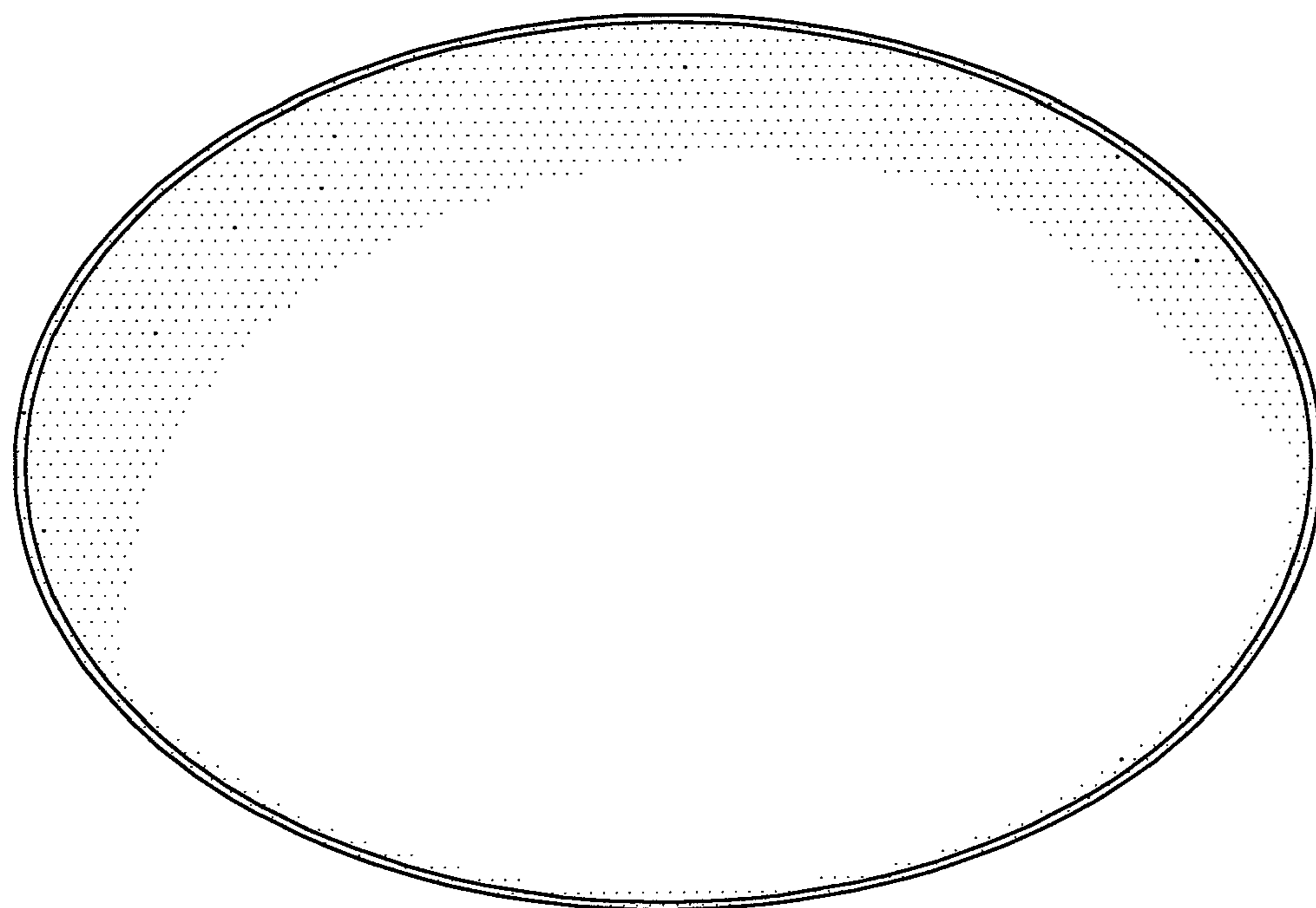


FIG. 8