



US00D628576S

(12) **United States Design Patent**
Daniel

(10) **Patent No.:** **US D628,576 S**

(45) **Date of Patent:** **** Dec. 7, 2010**

(54) **CARD READER**

(75) Inventor: **Isaac Sayo Daniel**, Miramar, FL (US)

(73) Assignee: **F3M3 Companies, Inc.**, Miramar, FL (US)

(**) Term: **14 Years**

(21) Appl. No.: **29/358,427**

(22) Filed: **Mar. 26, 2010**

(51) **LOC (9) Cl.** **14-02**

(52) **U.S. Cl.** **D14/385**

(58) **Field of Classification Search** D14/383-389,
D14/356-358, 361, 363, 432-438; 235/441,
235/451, 492, 380, 439, 375; 361/679.31,
361/600, 679.01, 679.02

See application file for complete search history.

(56) **References Cited**

U.S. PATENT DOCUMENTS

D291,317 S *	8/1987	Sharp	D14/356
D296,330 S *	6/1988	Davis et al.	D14/385
D305,882 S *	2/1990	Kato et al.	D14/385
D348,872 S *	7/1994	Cherry	D14/386
D375,486 S *	11/1996	Shinano	D14/357
D415,739 S *	10/1999	Yamamoto	D14/356
D445,422 S *	7/2001	Hsin	D14/385
D449,078 S *	10/2001	Fujita	D21/332
D477,815 S *	7/2003	Gillingham et al.	D13/184
D489,070 S *	4/2004	Chatterjee	D14/433

D515,092 S *	2/2006	Wilfong	D14/385
D522,511 S *	6/2006	Sekou	D14/385
7,131,592 B2 *	11/2006	Lebaschi et al.	235/476
D571,789 S *	6/2008	Tanaka	D14/217
D577,038 S *	9/2008	Nakamura	D14/496
D590,828 S *	4/2009	Sherrod et al.	D14/385
D606,995 S *	12/2009	Goldsmith	D14/361
D615,543 S *	5/2010	Padilla et al.	D14/385
2008/0041941 A1 *	2/2008	Talwerdi et al.	235/382
2008/0179401 A1 *	7/2008	Hart et al.	235/449

* cited by examiner

Primary Examiner—Cathron C Brooks

Assistant Examiner—Deanna Fluegeman

(74) *Attorney, Agent, or Firm*—Carol N. Green, Esq.

(57) **CLAIM**

The ornamental design for a card reader, as shown and described.

DESCRIPTION

FIG. 1 is a perspective view of the article;

FIG. 2 is a front view of the article;

FIG. 3 is a rear view of the article;

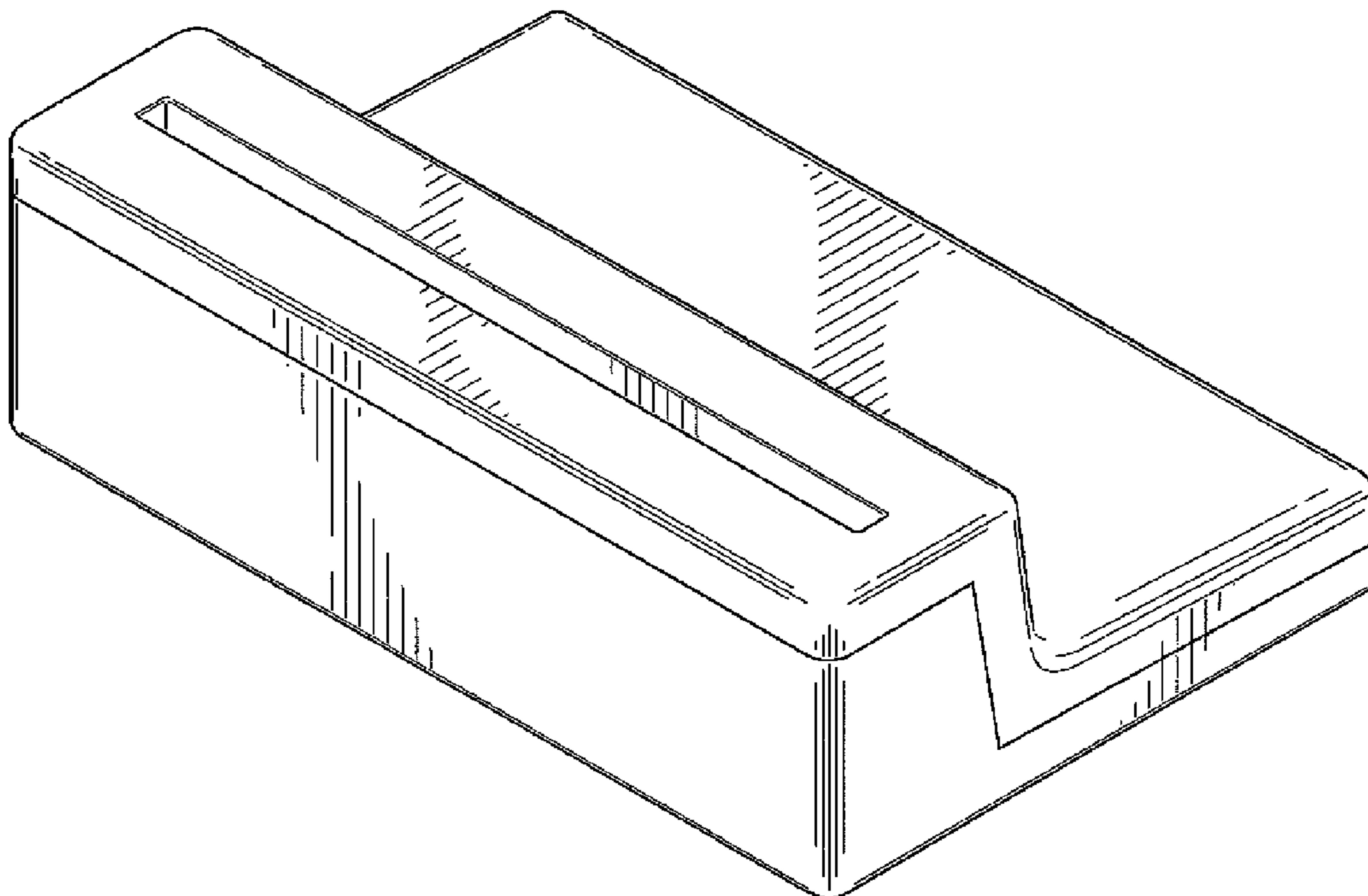
FIG. 4 is a side view of the article;

FIG. 5 is a side view of the article;

FIG. 6 is a top view of the article; and,

FIG. 7 is a bottom view of the article.

1 Claim, 6 Drawing Sheets



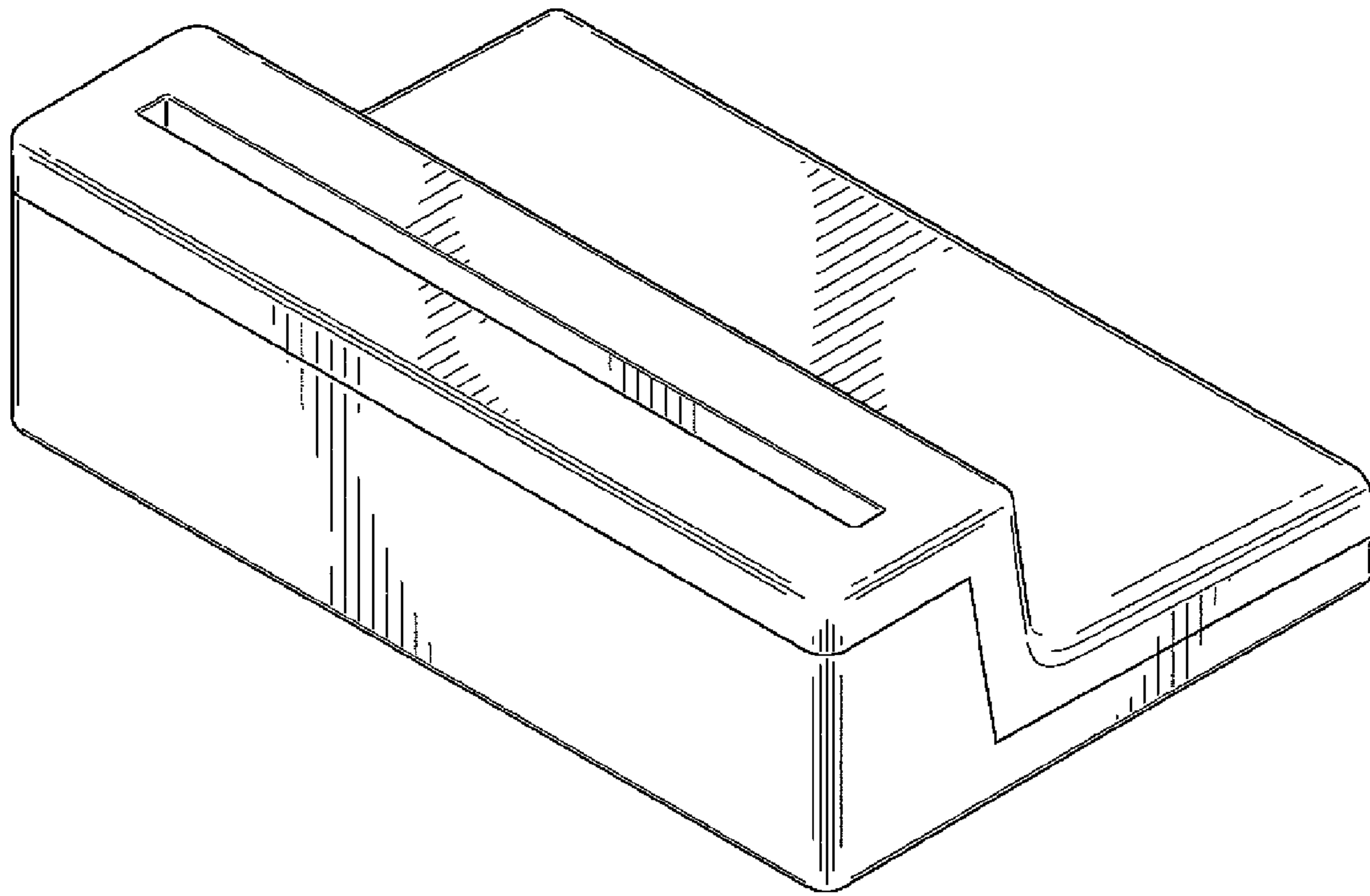


FIG. 1

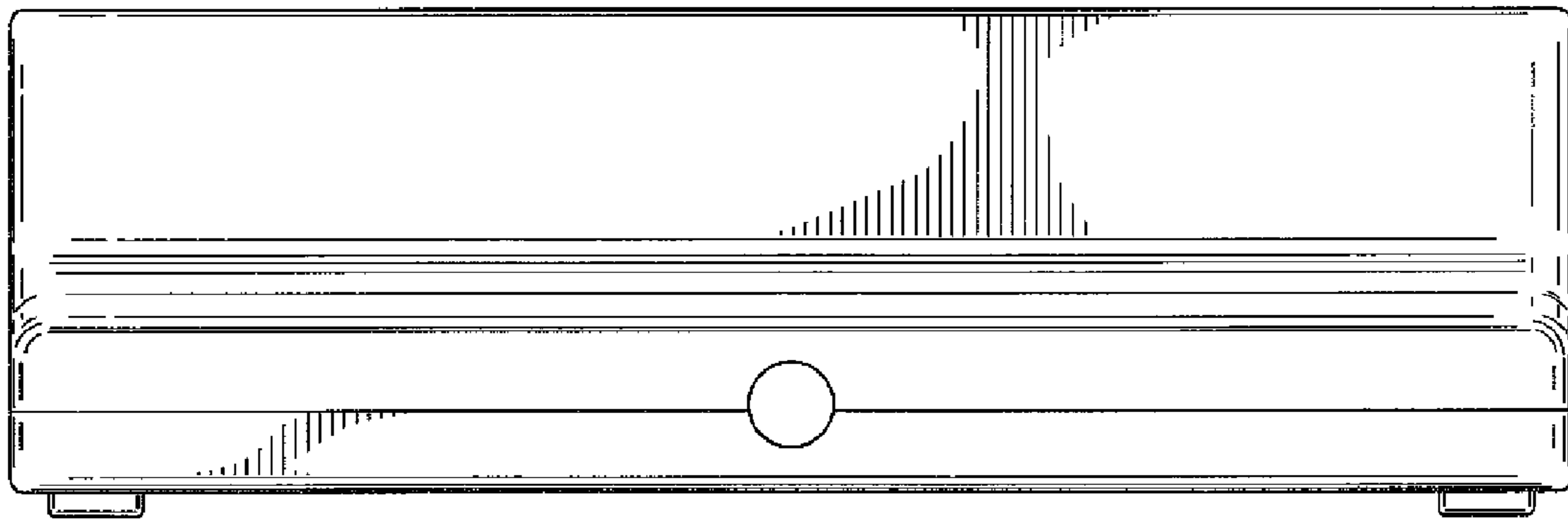


FIG. 2

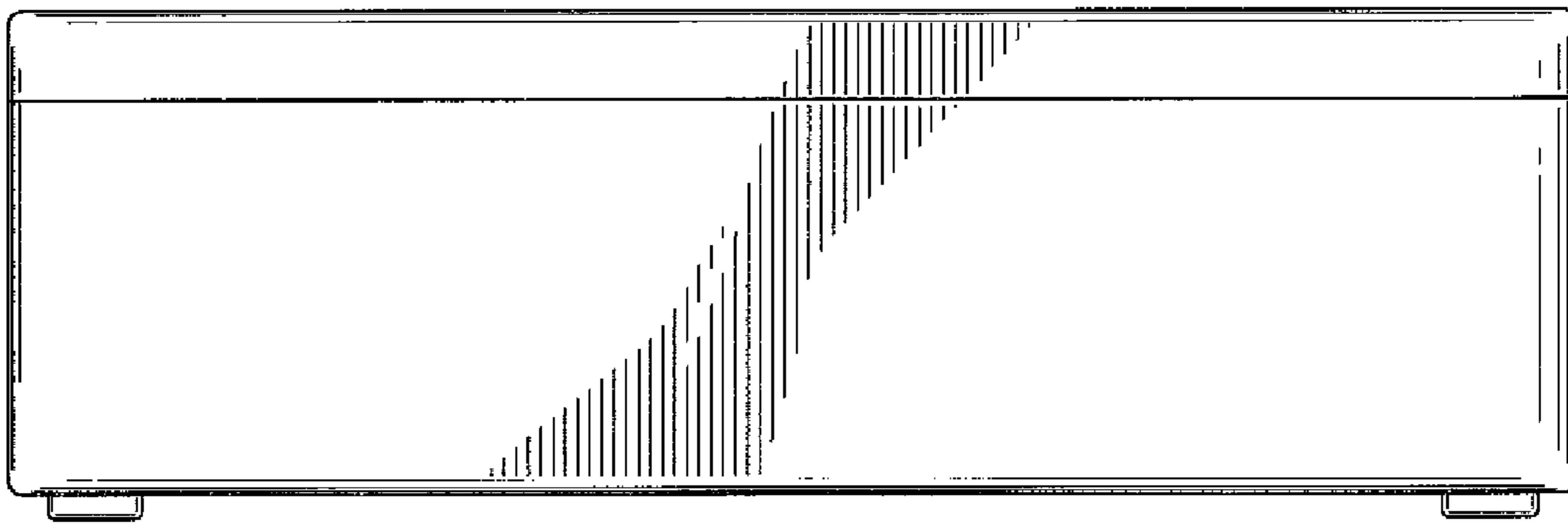


FIG. 3

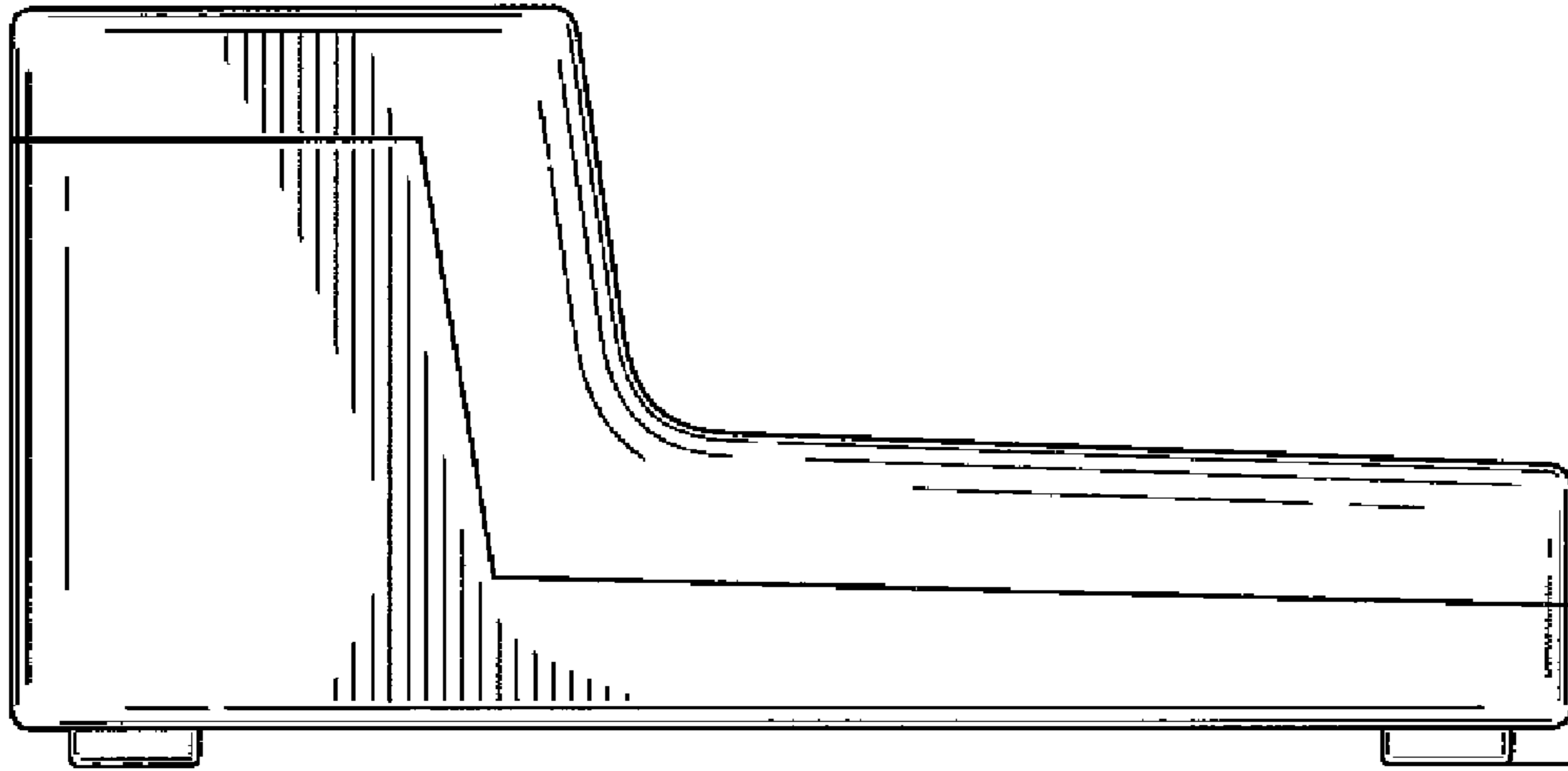


FIG. 4

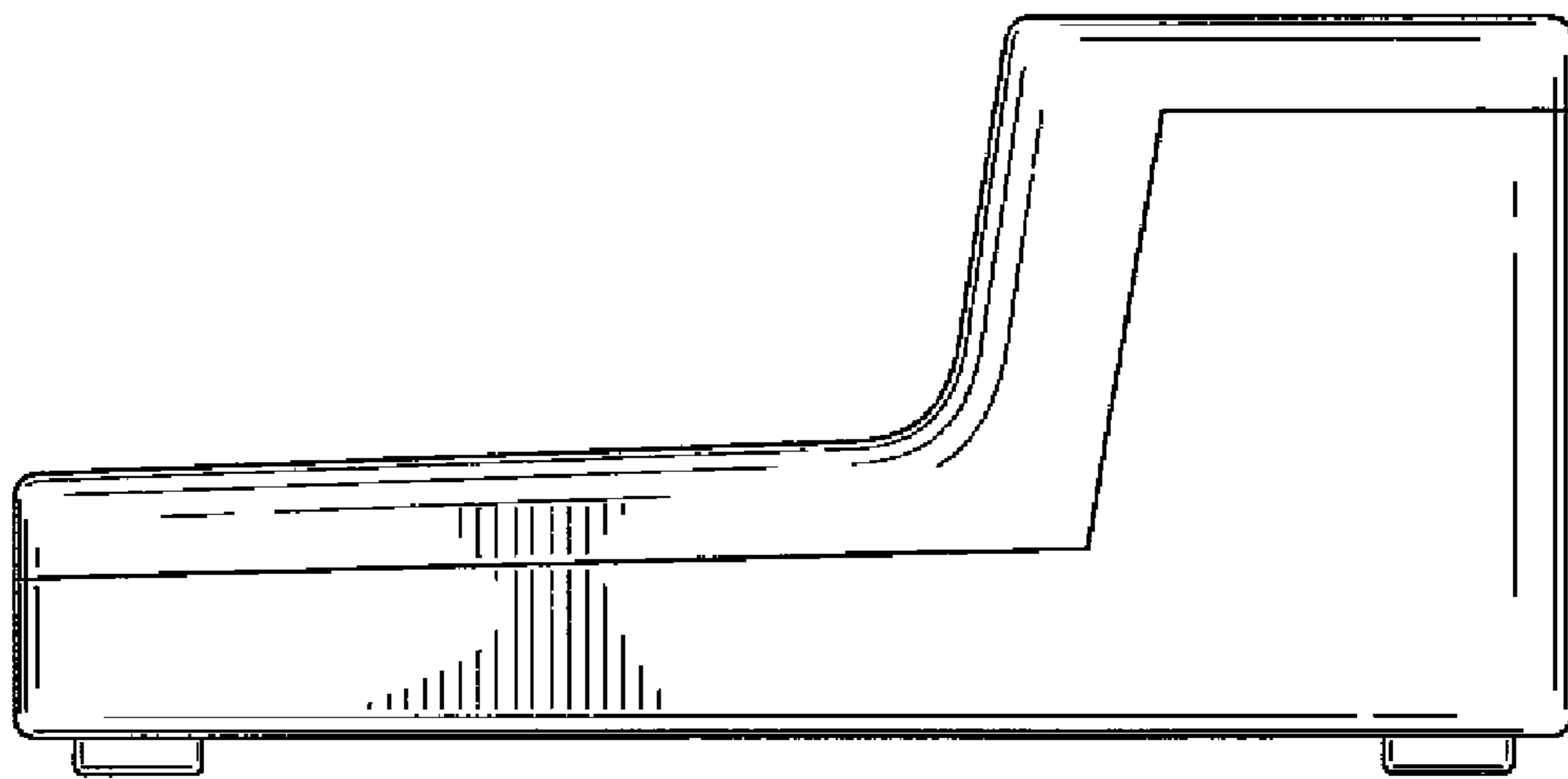


FIG. 5

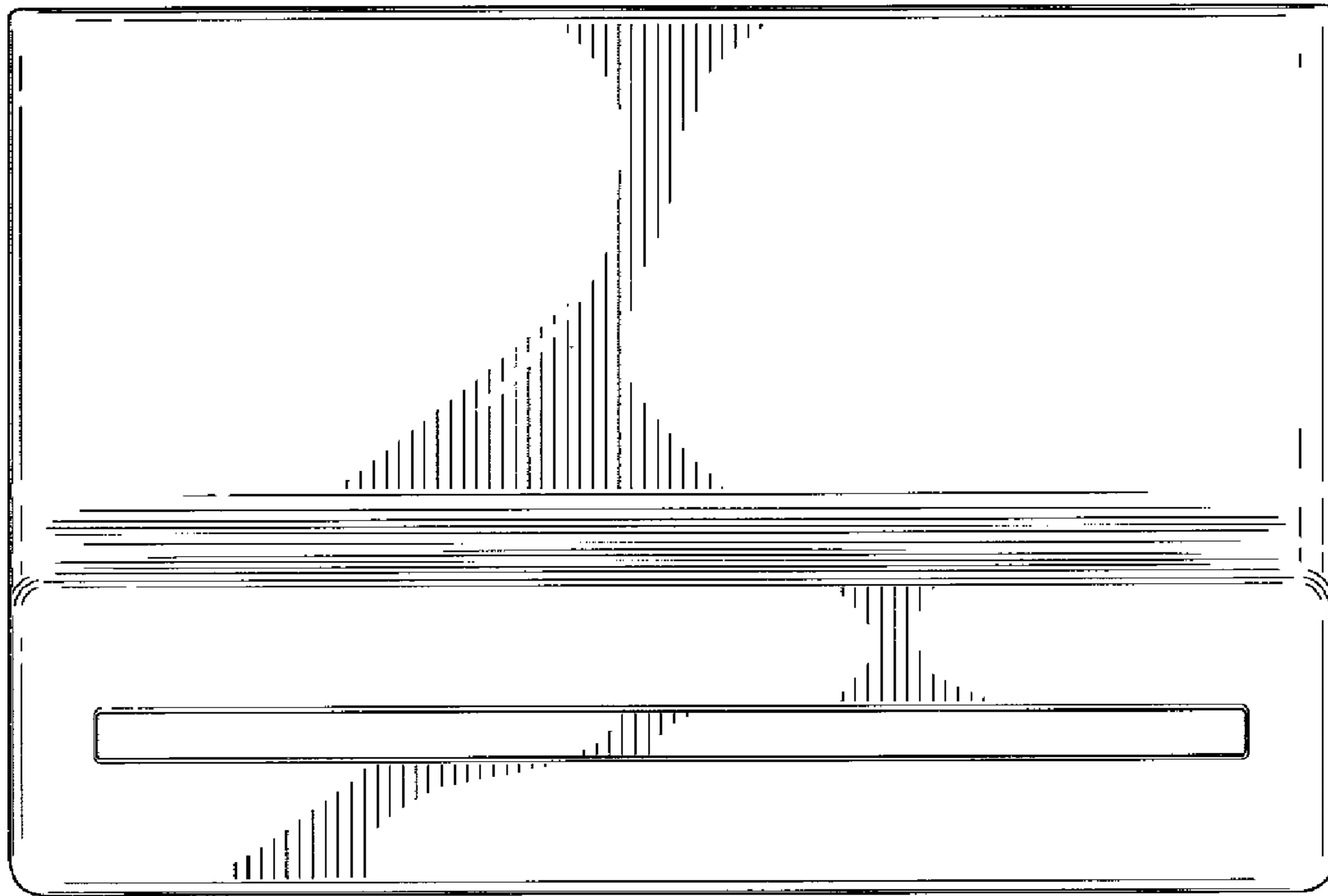


FIG. 6

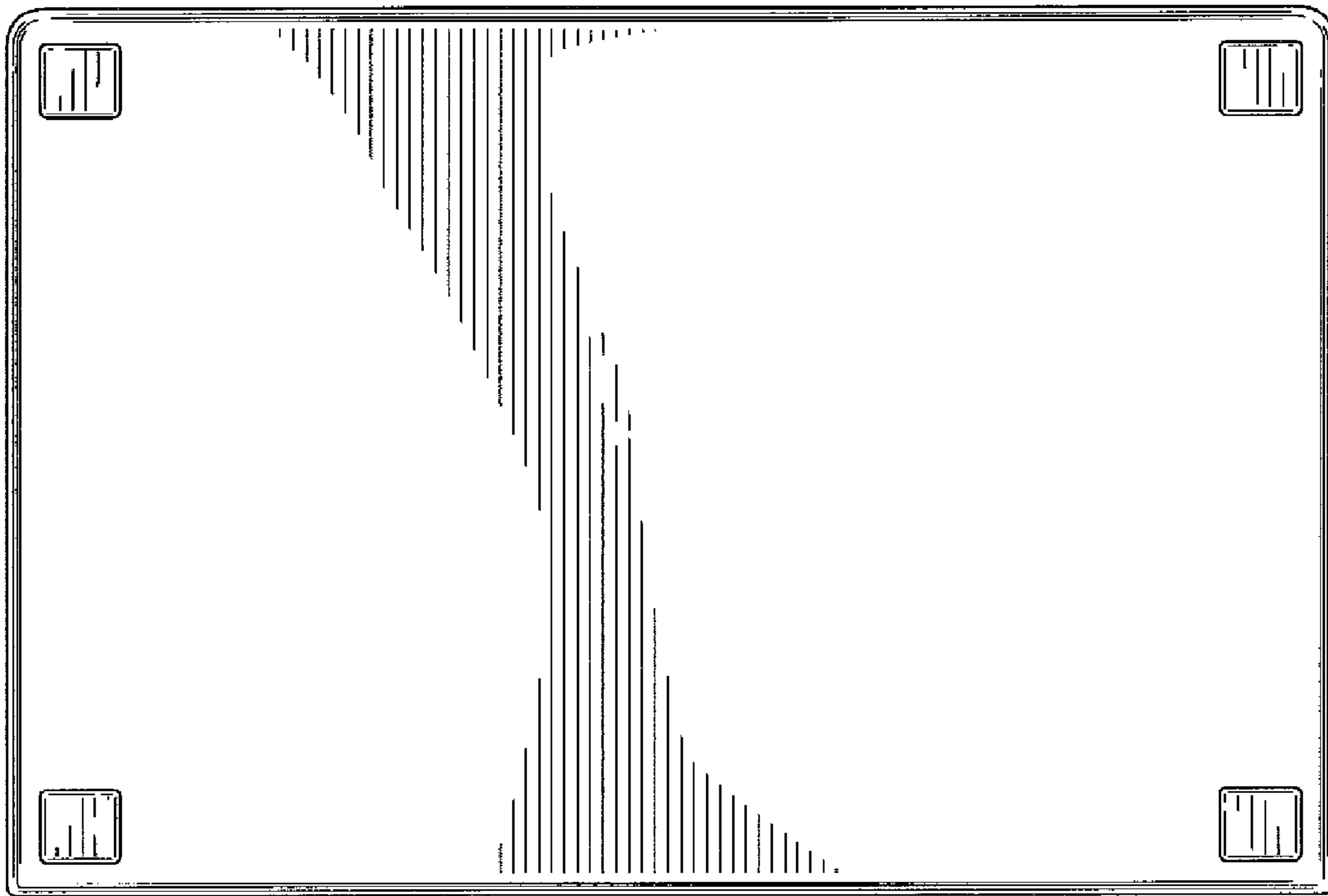


FIG. 7

UNITED STATES PATENT AND TRADEMARK OFFICE
CERTIFICATE OF CORRECTION

PATENT NO. : D628,576 S
APPLICATION NO. : 29/358427
DATED : December 7, 2010
INVENTOR(S) : Isaac S. Daniel

Page 1 of 1

It is certified that error appears in the above-identified patent and that said Letters Patent is hereby corrected as shown below:

Title page item (74), should read:
Attorney agent: Alberto Interian III, Esq.

Signed and Sealed this
Eighteenth Day of January, 2011

A handwritten signature in black ink that reads "David J. Kappos". The signature is written in a cursive style with a large initial "D" and "K".

David J. Kappos
Director of the United States Patent and Trademark Office