



US00D628574S

(12) **United States Design Patent**
Woodward et al.

(10) **Patent No.:** **US D628,574 S**
(45) **Date of Patent:** **** Dec. 7, 2010**

(54) **SUSPENDED MONITOR SYSTEM**

(57) **CLAIM**

(76) Inventors: **Robert Woodward**, 1149 E. 900 South,
Salem, UT (US) 84653; **Creed Larsen**,
159 S. Pleasant Grove Blvd., #19,
Pleasant Grove, UT (US) 84062

The ornamental design for a suspended monitor system, as shown and described.

(**) Term: **14 Years**

DESCRIPTION

(21) Appl. No.: **29/337,411**

FIG. 1 shows a front view of the design according to one embodiment of the present invention.

(22) Filed: **May 21, 2009**

FIG. 2 shows a side view of the design according to one embodiment of the present invention.

Related U.S. Application Data

FIG. 3 shows another side view of the design according to one embodiment of the present invention.

(62) Division of application No. 29/286,029, filed on Apr. 20, 2007, now Pat. No. Des. 595,294.

FIG. 4 shows a rear view of the design according to one embodiment of the present invention.

(51) **LOC (9) Cl.** **14-02**

FIG. 5 shows a bottom view of the design according to one embodiment of the present invention.

(52) **U.S. Cl.** **D14/373**

(58) **Field of Classification Search** D14/447,
D14/451, 452, 239, 432, 434, 439, 448, 457,
D14/251, 253, 224, 224.1, 126, 127, 371,
D14/373, 374, 375; D8/363, 373, 380; 248/917,
248/918, 919, 920, 921, 922, 923, 924, 441.1,
248/460, 122.1, 125.7, 371, 176.1, 176.3,
248/222.52, 276.1, 324; 361/679.06, 679.04,
361/679.21, 679.22, 679.56

FIG. 6 shows a top view of the design according to one embodiment of the present invention.

See application file for complete search history.

FIG. 7 shows a front perspective view of the design according to one embodiment of the present invention.

FIG. 8 shows a front view of the design according to another embodiment of the present invention.

(56) **References Cited**

U.S. PATENT DOCUMENTS

D337,103 S * 7/1993 Harper D14/373
D395,298 S * 6/1998 Rosen D14/127
D595,294 S * 6/2009 Woodward et al. D14/373
D599,855 S * 9/2009 Soodeen et al. D19/59
7,738,245 B1 * 6/2010 Stifal 361/679.21

FIG. 9 shows a side view of the design according to another embodiment of the present invention.

FIG. 10 shows another side view of the design according to another embodiment of the present invention.

FIG. 11 shows a rear view of the design according to another embodiment of the present invention.

FIG. 12 shows a bottom view of the design according to another embodiment of the present invention.

FIG. 13 shows a top view of the design according to another embodiment of the present invention; and,

FIG. 14 shows a front perspective view of the design according to another embodiment of the present invention.

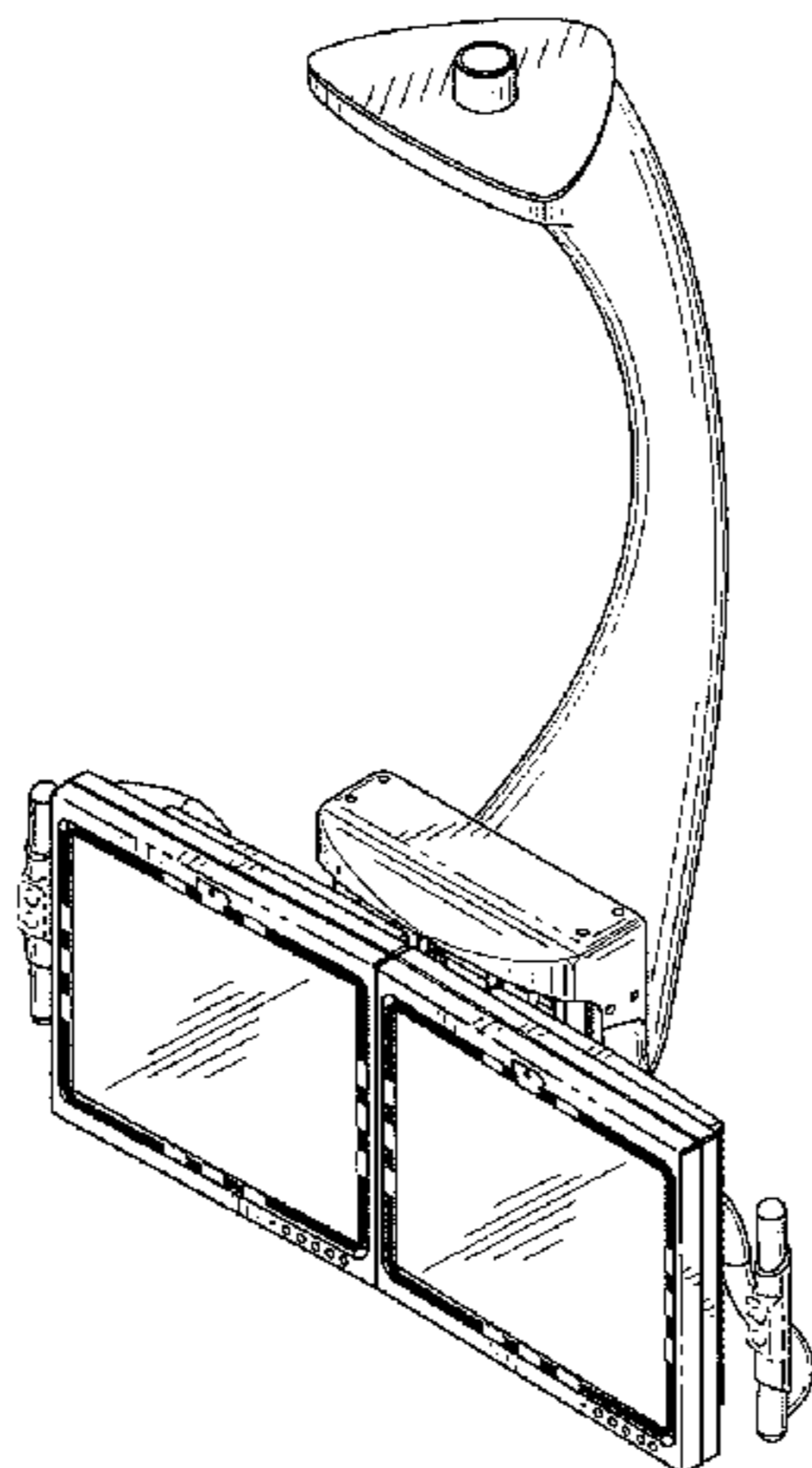
The portions of the suspended monitor system shown in broken lines form no part of the claimed design.

(Continued)

Primary Examiner—Angela J Lee

(74) Attorney, Agent, or Firm—Jones Waldo Holbrook & McDonough

1 Claim, 10 Drawing Sheets



US D628,574 S

Page 2

U.S. PATENT DOCUMENTS

2002/0194792	A1*	12/2002	Feldpausch et al.	52/36.1	2007/0138356	A1*	6/2007	Johansson et al.	248/125.1
2004/0011938	A1*	1/2004	Oddsens, Jr.	248/393	2008/0128574	A1*	6/2008	Walters et al.	248/324
2004/0041062	A1*	3/2004	Ozolins et al.	248/122.1	2008/0259541	A1*	10/2008	Woodward et al.	361/681
2006/0238967	A1*	10/2006	Carson et al.	361/681	2010/0039758	A1*	2/2010	Ozolins et al.	361/679.06

* cited by examiner

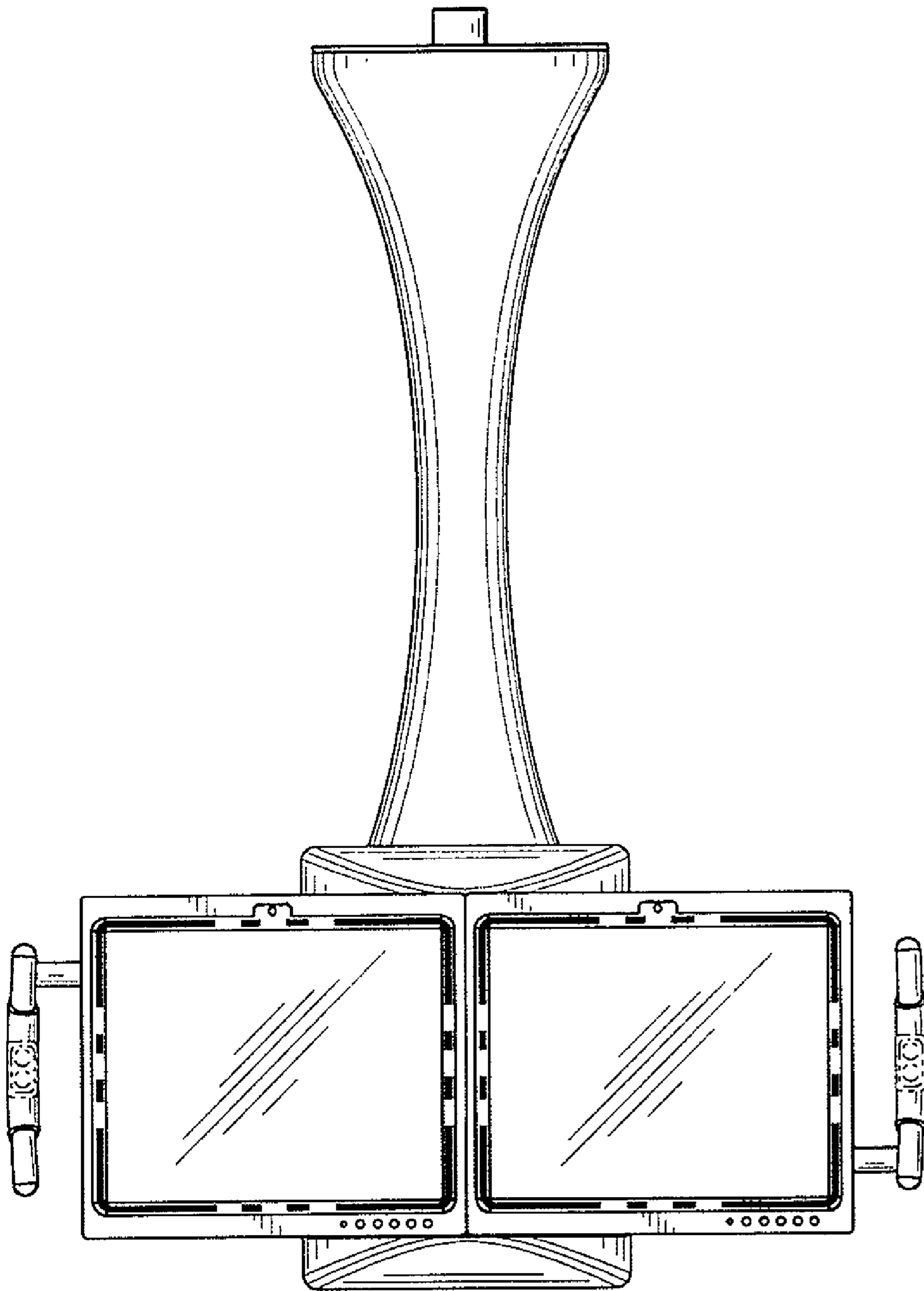


FIG. 1

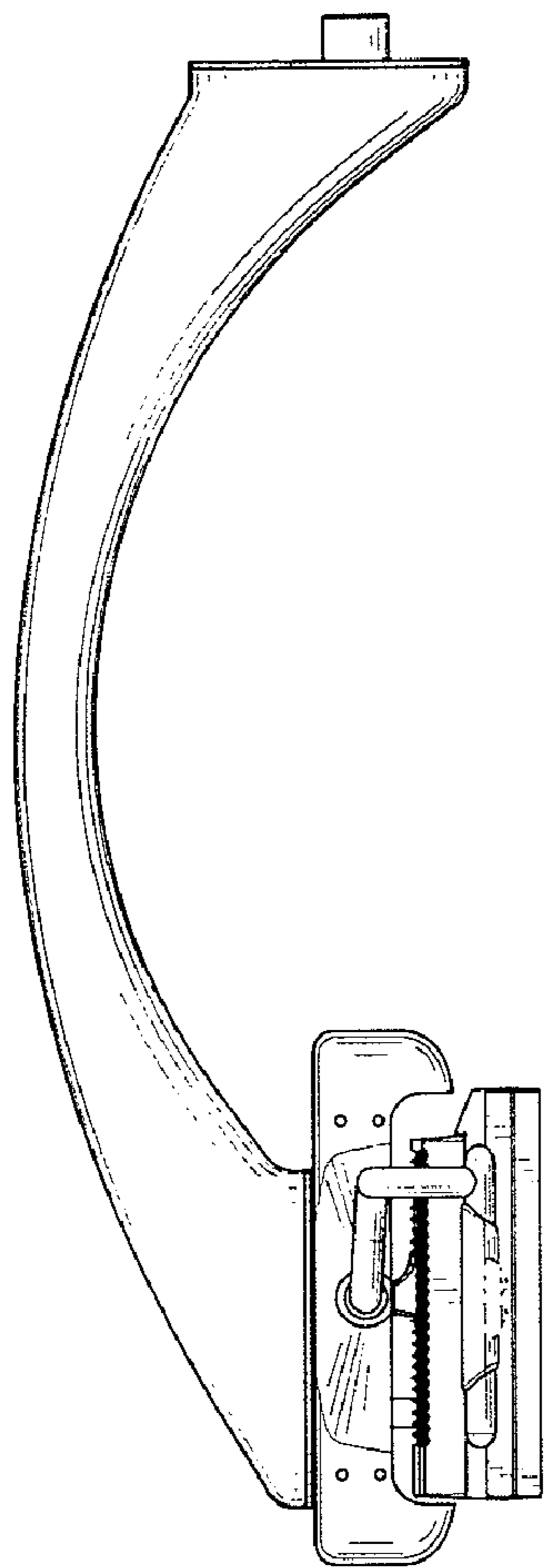


FIG. 2

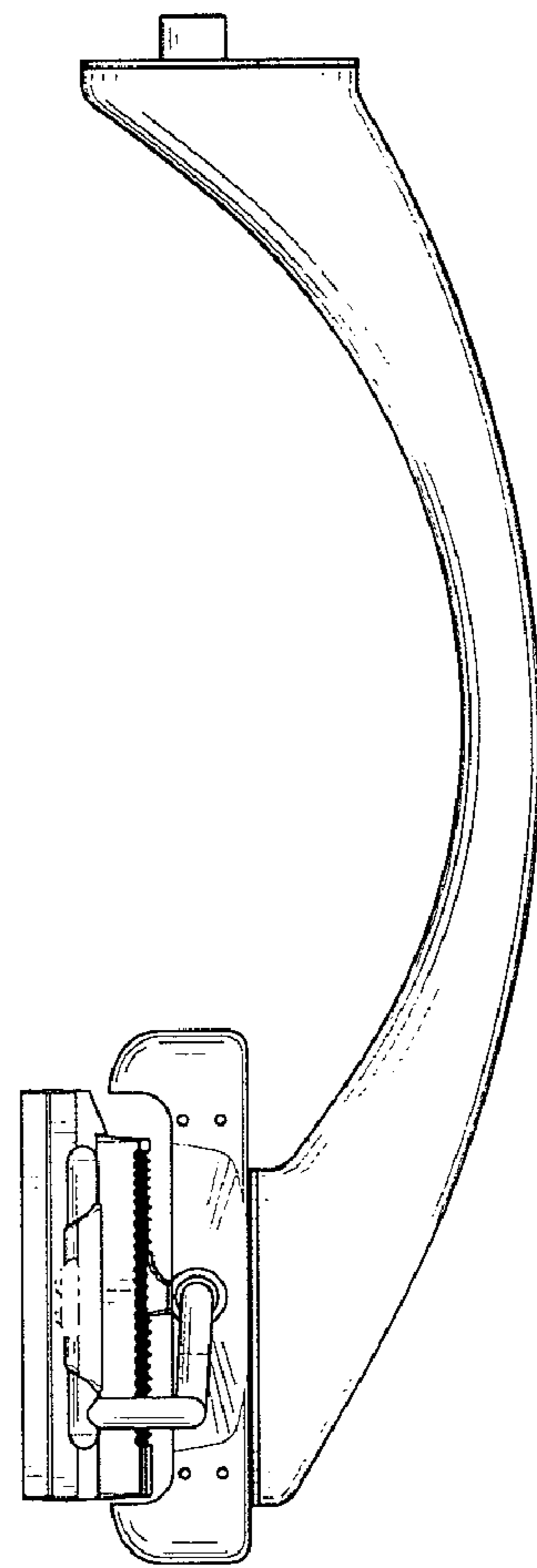


FIG. 3

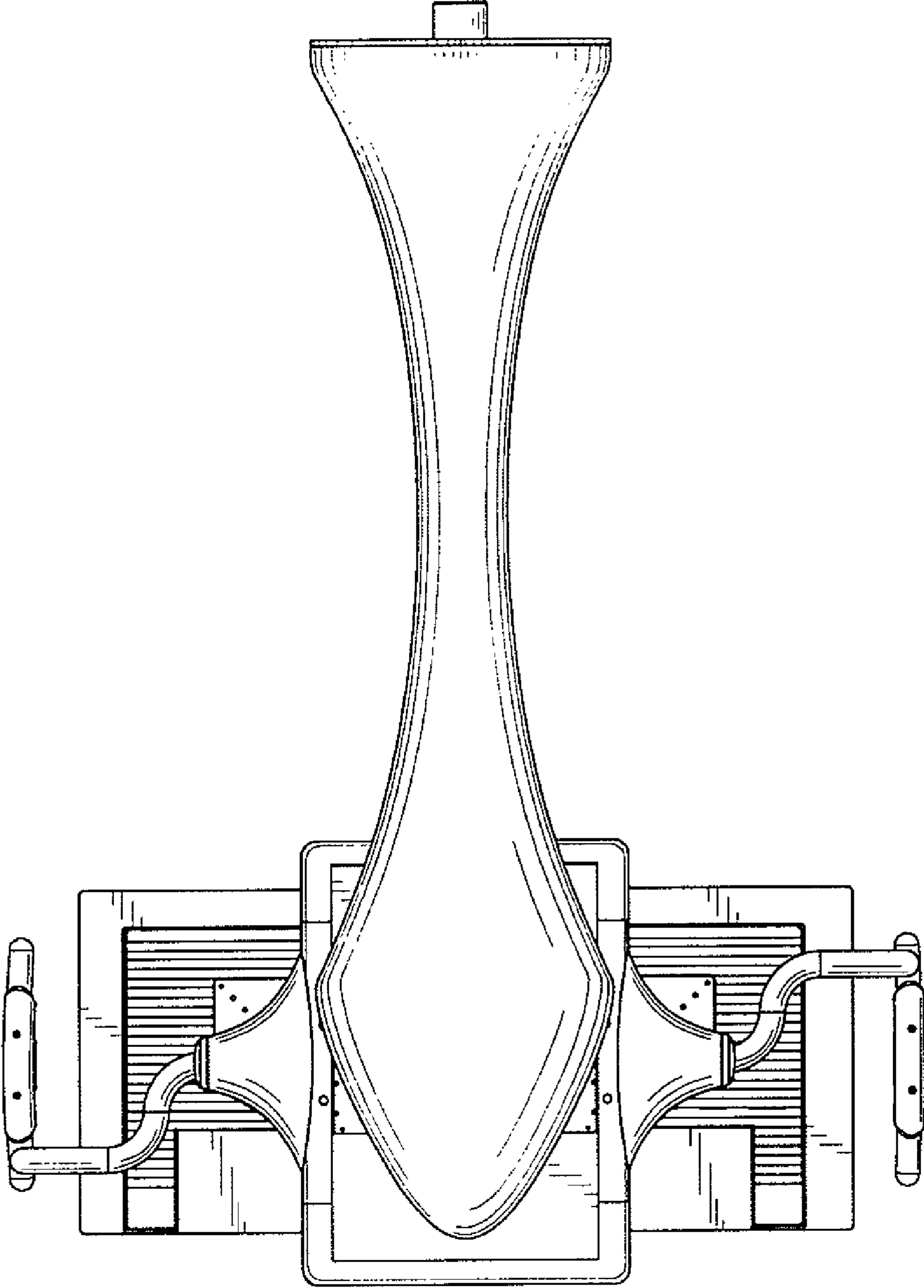


FIG. 4

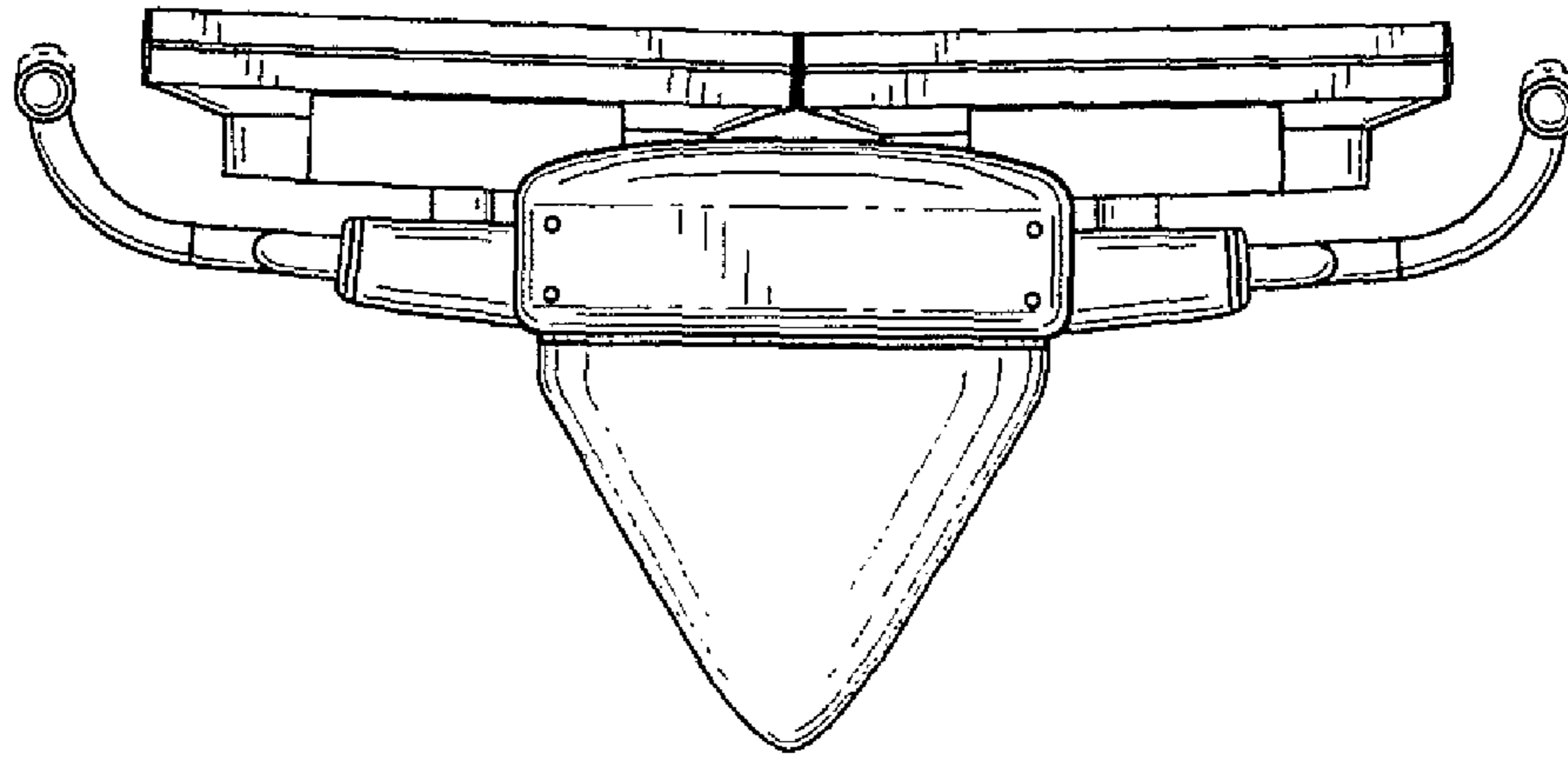


FIG. 5

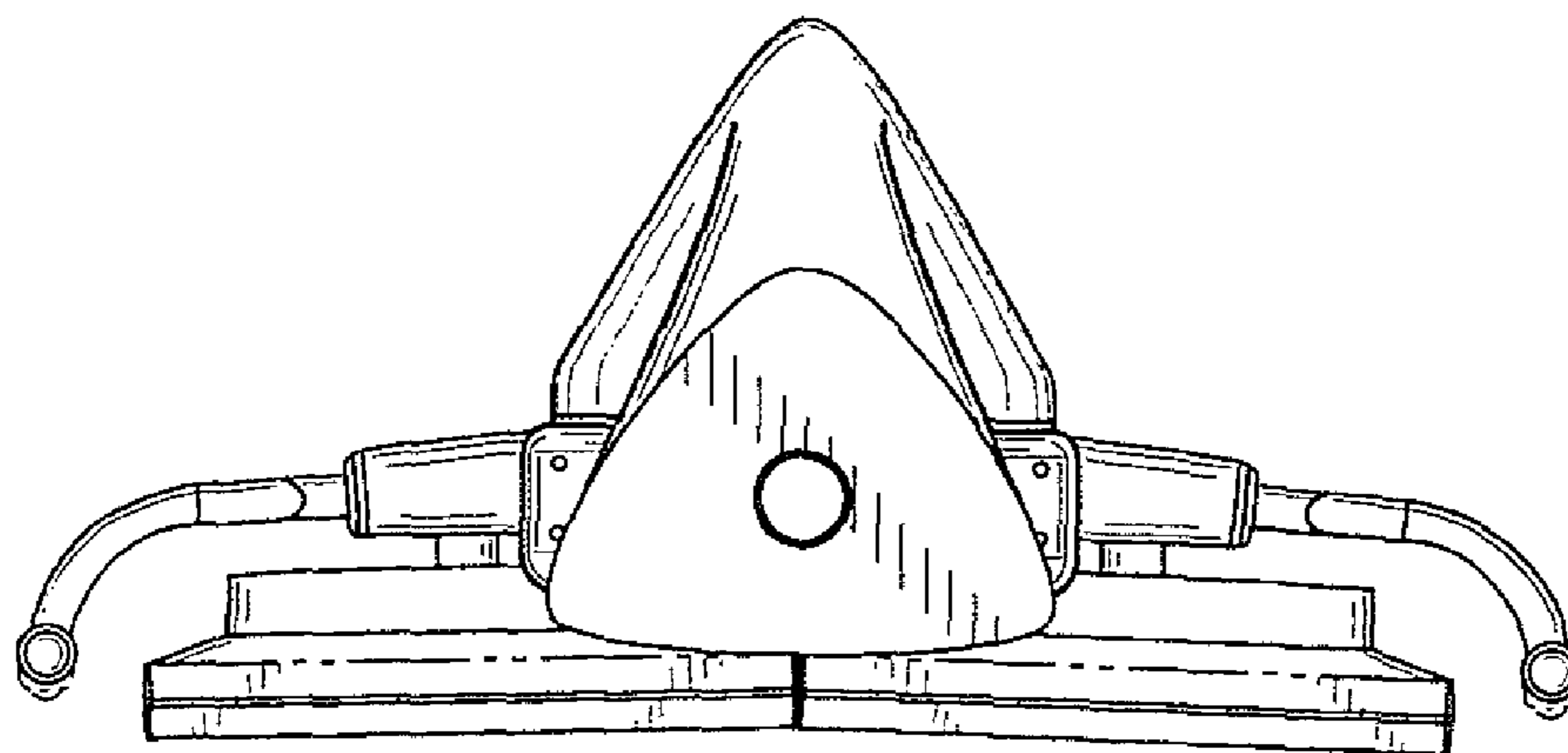


FIG. 6

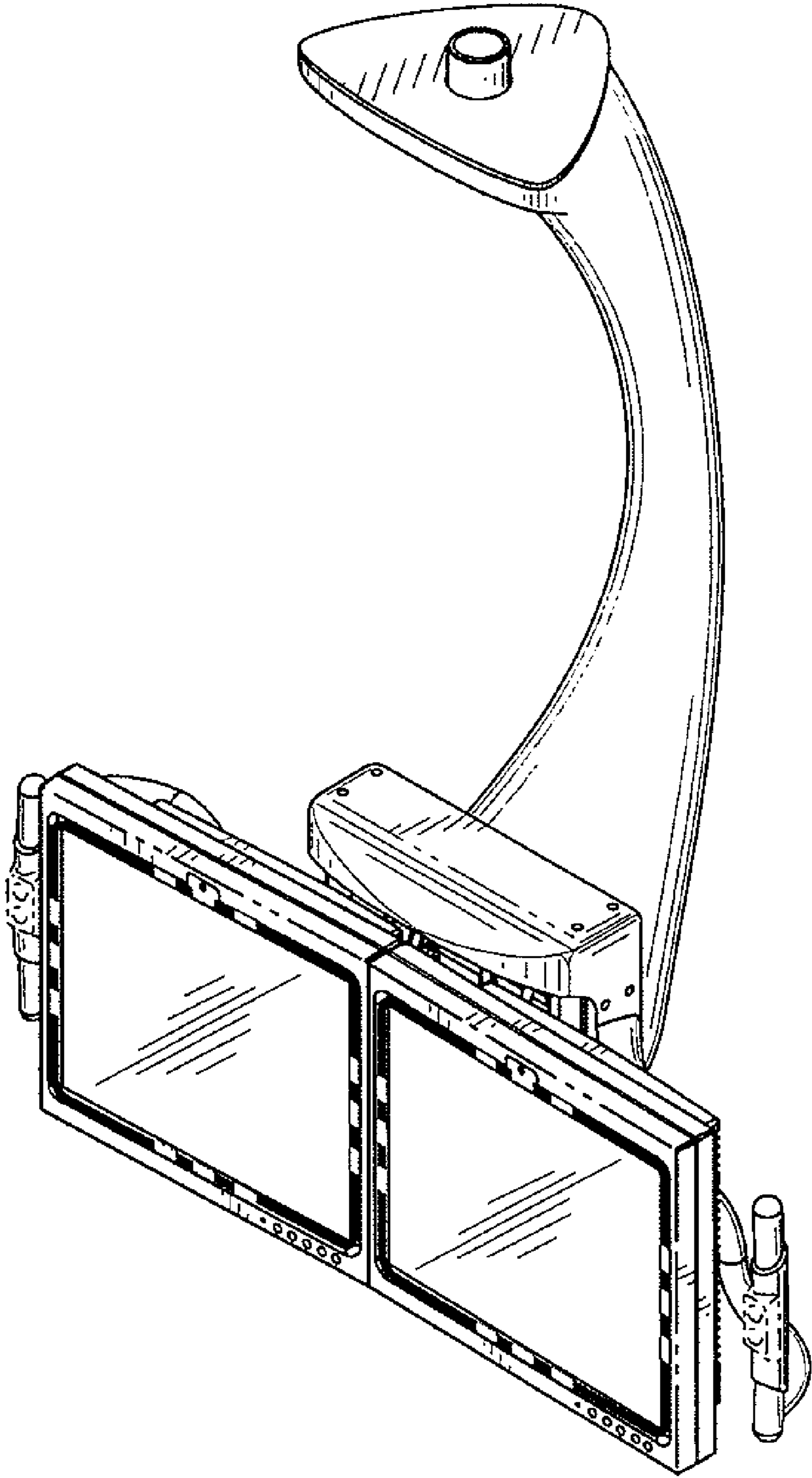


FIG. 7

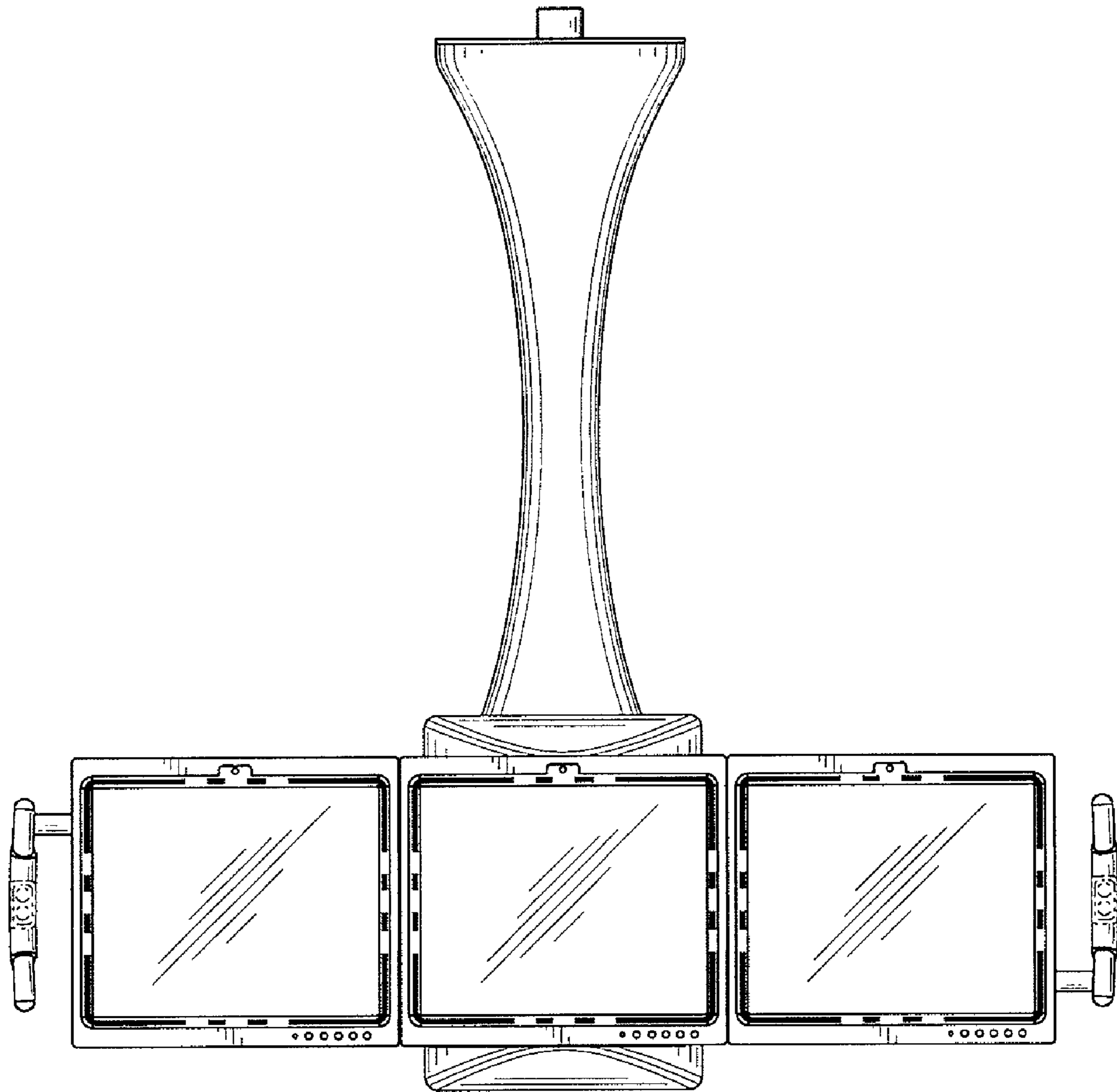


FIG. 8

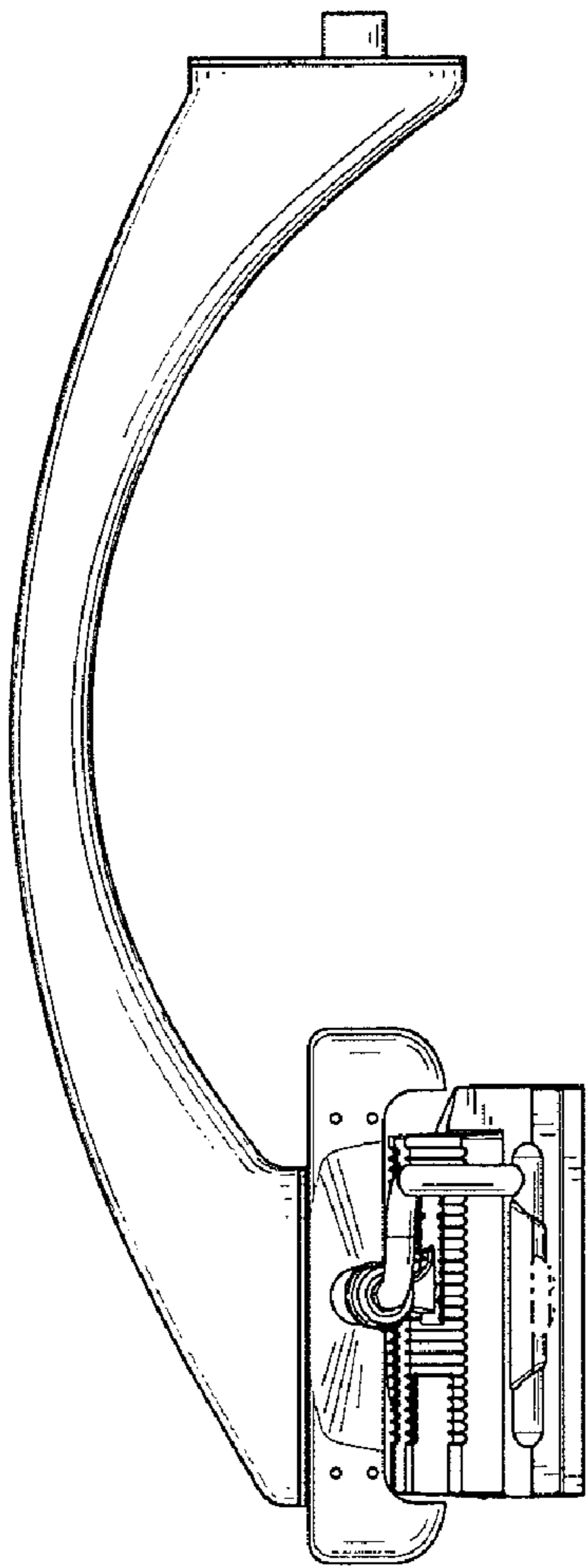


FIG. 9

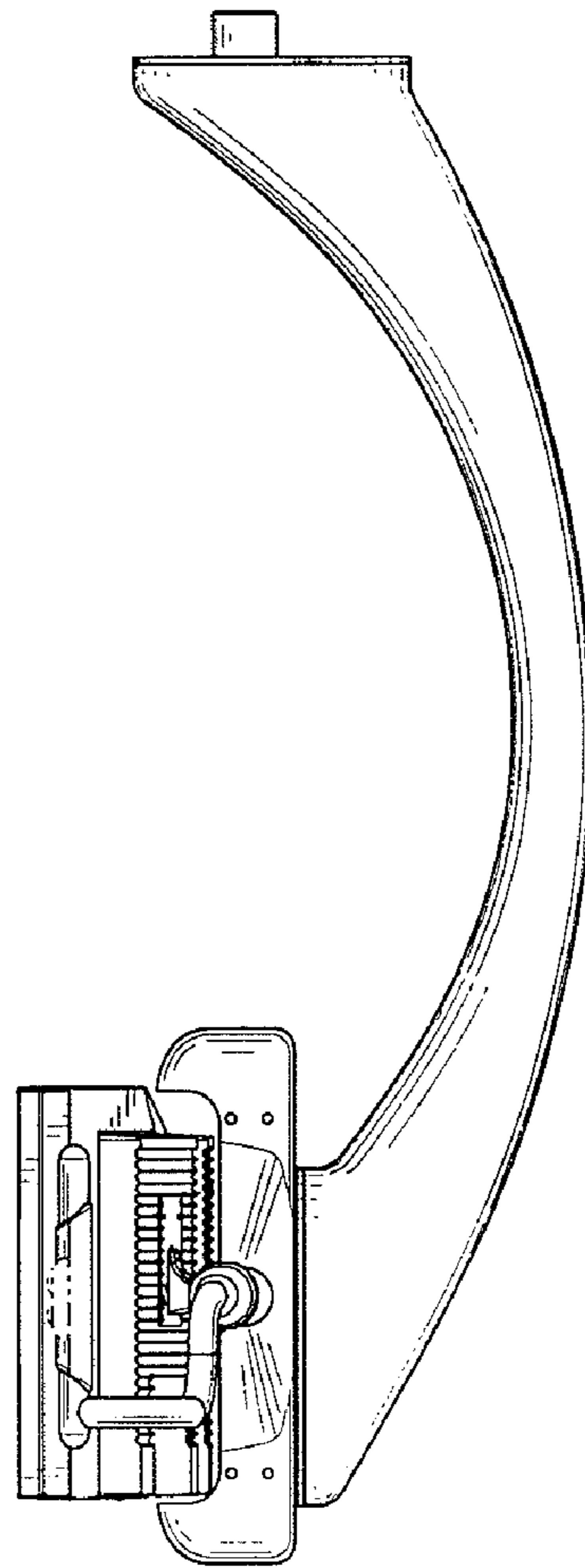


FIG. 10

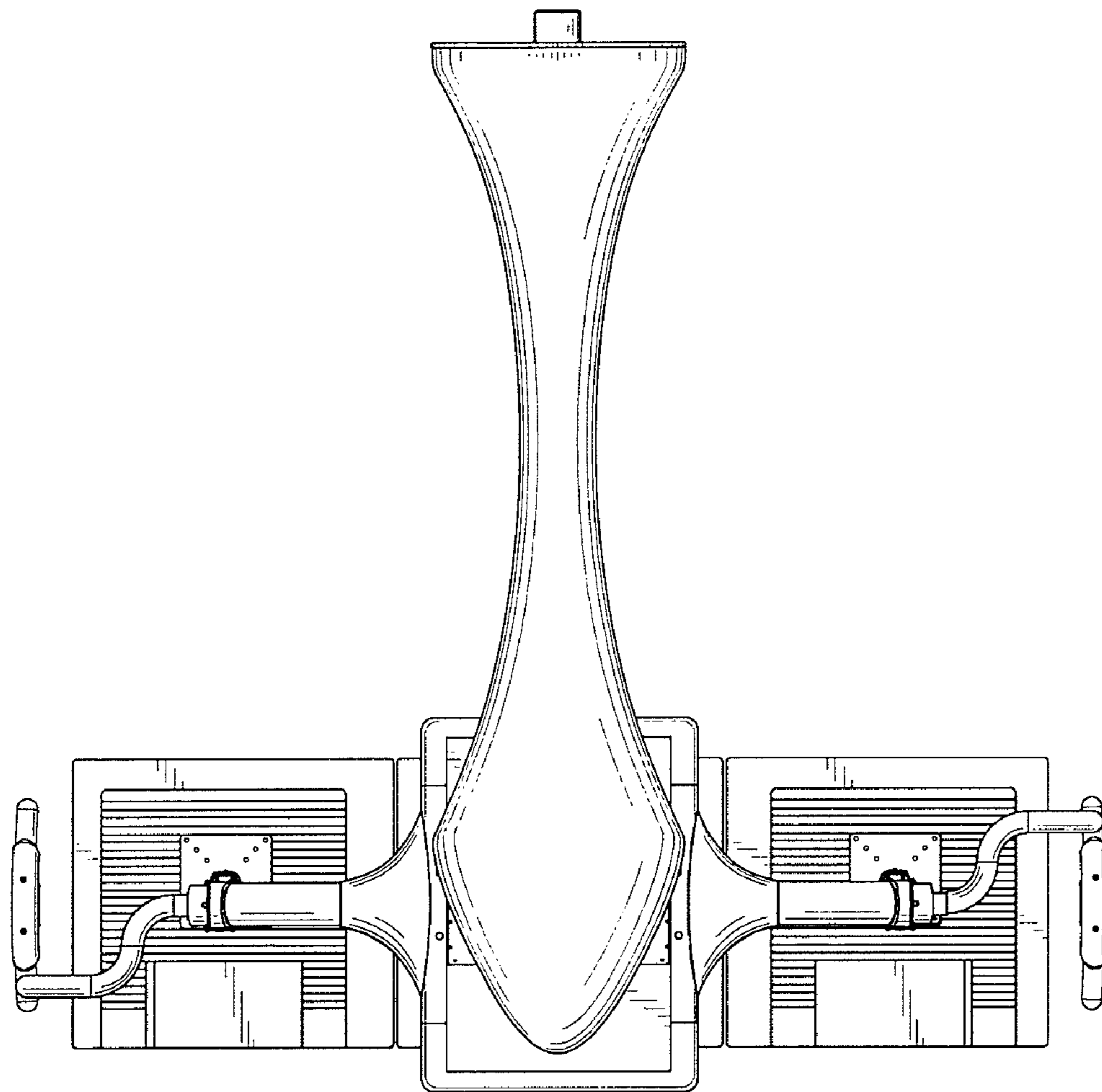


FIG. 11

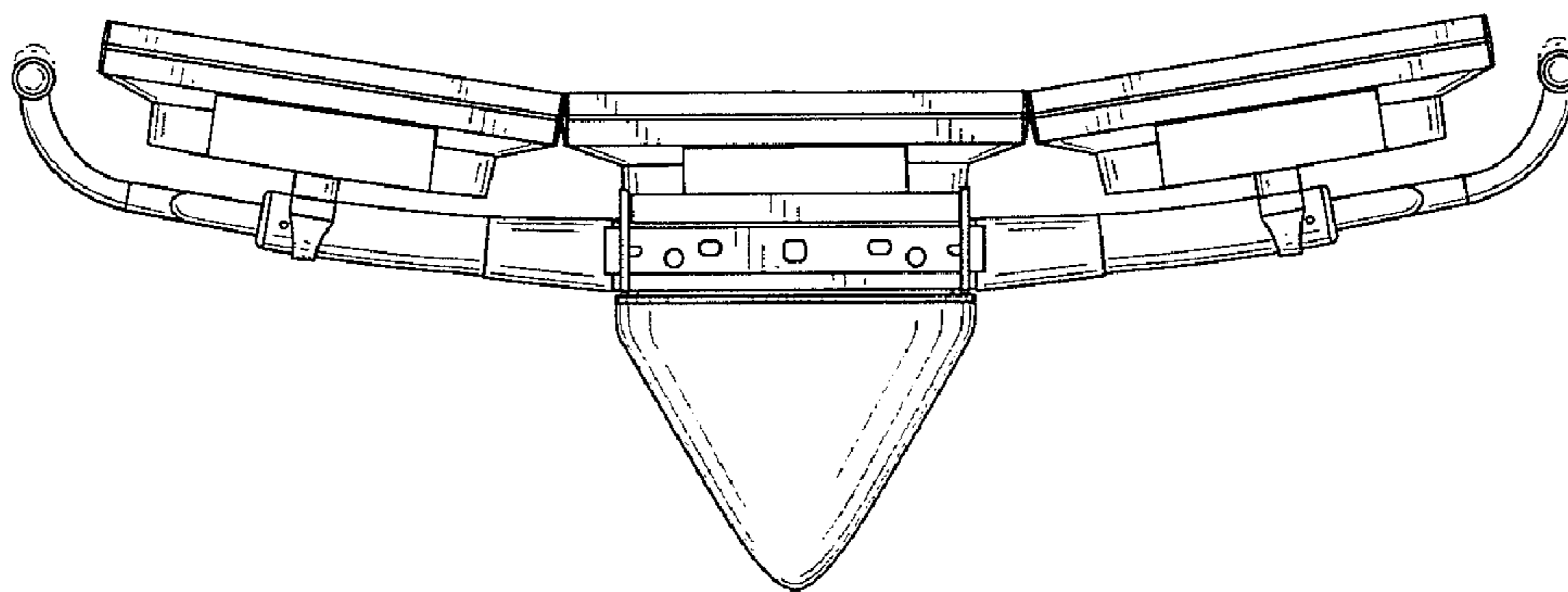


FIG. 12

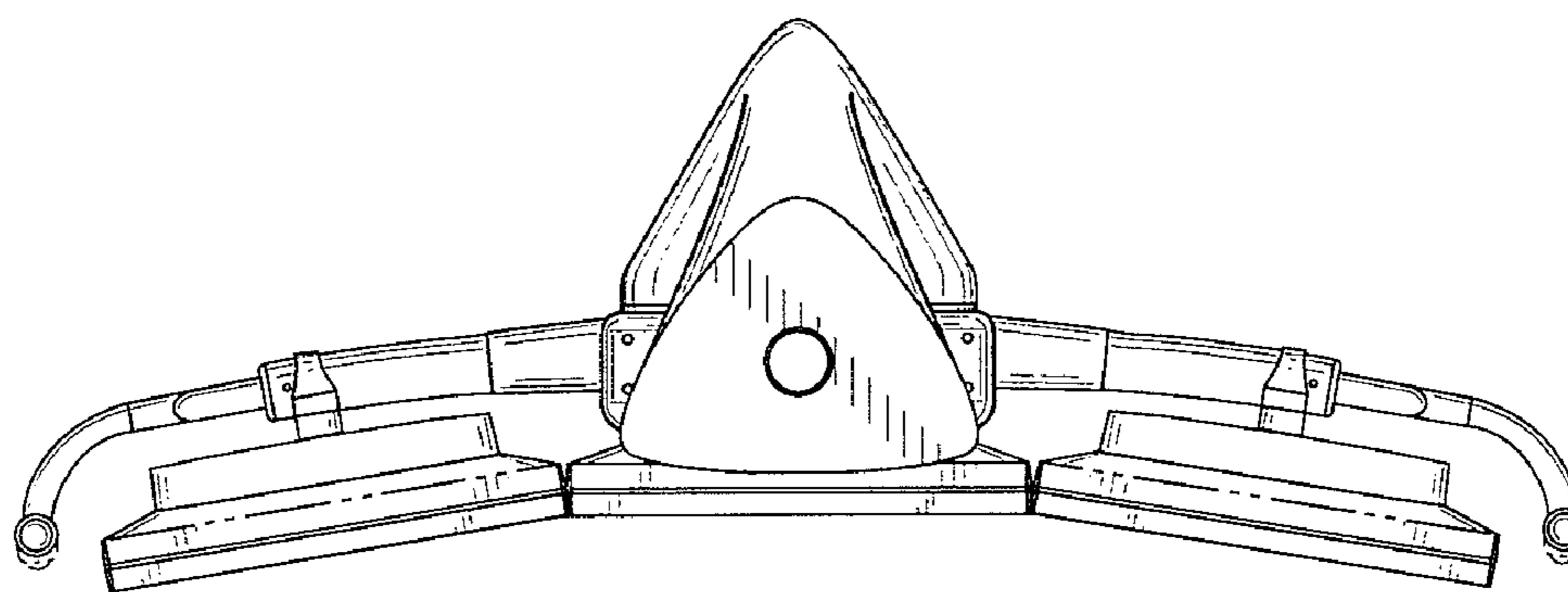


FIG. 13

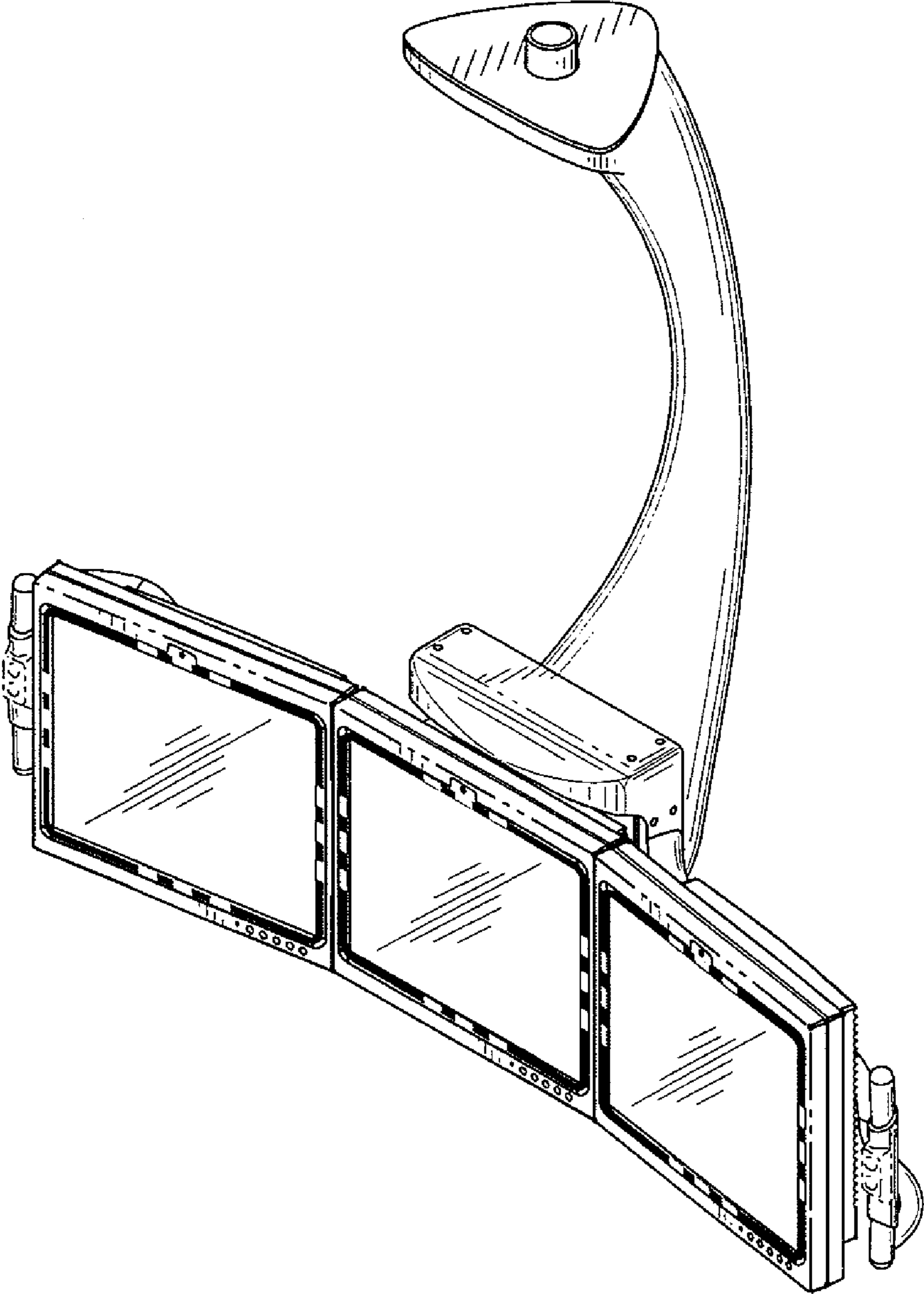


FIG. 14