



US00D628572S

(12) **United States Design Patent**  
**Wang**

(10) **Patent No.:** **US D628,572 S**  
(45) **Date of Patent:** **\*\* Dec. 7, 2010**

(54) **EXTERNAL STORAGE DEVICE CASE**

(75) Inventor: **Chia-Jen Wang**, Taipei Hsien (TW)

(73) Assignee: **Datastore Technology Corp.**, Taipei Hsien (TW)

(\*\*) Term: **14 Years**

(21) Appl. No.: **29/355,037**

(22) Filed: **Feb. 2, 2010**

(51) **LOC (9) Cl.** ..... **14-02**

(52) **U.S. Cl.** ..... **D14/356**

(58) **Field of Classification Search** ..... D14/300–302,  
D14/314, 348–370, 432, 496, 125, 240, 242,  
D14/299; D3/201, 273; D10/65, 75, 78;  
D13/103, 149, 162, 184, 199; 361/679.31–679.45,  
361/752; 711/100, 115

See application file for complete search history.

(56) **References Cited**

**U.S. PATENT DOCUMENTS**

- D322,963 S \* 1/1992 Kittirutsunetorn ..... D14/242
- D345,647 S \* 4/1994 Luxon ..... D3/218
- D363,064 S \* 10/1995 Rogov ..... D14/433
- D404,565 S \* 1/1999 Ichihara et al. .... D3/247
- D476,149 S \* 6/2003 Andre et al. .... D3/218
- D490,426 S \* 5/2004 Wu ..... D14/368
- D494,562 S \* 8/2004 Lee ..... D14/203.3
- D510,729 S \* 10/2005 Chen et al. .... D14/125
- D514,563 S \* 2/2006 Kuramashi et al. .... D14/358
- D522,520 S \* 6/2006 Hsu ..... D14/436
- D528,548 S \* 9/2006 Tang ..... D14/435
- 7,104,816 B1 \* 9/2006 Wang ..... 439/136
- D540,774 S \* 4/2007 Alwicker et al. .... D14/155
- D542,289 S \* 5/2007 Diebel ..... D14/356
- D549,697 S \* 8/2007 Jeon et al. .... D14/240
- D549,698 S \* 8/2007 Jeon et al. .... D14/240
- D559,532 S \* 1/2008 Kwak et al. .... D3/218
- D567,500 S \* 4/2008 Kwak et al. .... D3/218
- D570,845 S \* 6/2008 Liu et al. .... D14/433
- D570,846 S \* 6/2008 Liu et al. .... D14/433
- D581,156 S \* 11/2008 Wang ..... D3/218

- D586,808 S \* 2/2009 Wang ..... D14/356
- D590,392 S \* 4/2009 Wang ..... D14/356
- D592,660 S \* 5/2009 Wang ..... D14/356
- D602,492 S \* 10/2009 Wang ..... D14/356
- D609,713 S \* 2/2010 Du et al. .... D14/480.6

**OTHER PUBLICATIONS**

2.5" HDD external enclosure Manufacturer exporting direct from Taiwan, [online], [retrieved on Jul. 28, 2009]. Retrieved from the Internet <URL: [http://www.alibaba.com/product/tw103811517-104240123-0/2\\_5\\_HDD\\_external\\_enclosure.html](http://www.alibaba.com/product/tw103811517-104240123-0/2_5_HDD_external_enclosure.html)>.\*

Apricorn.com, [online], [retrieved on Jul. 6, 2007]. Retrieved from the Internet <URL: [http://www.apricorn.com/full\\_images/aegis-mini-USB.jpg](http://www.apricorn.com/full_images/aegis-mini-USB.jpg)>.\*

(Continued)

*Primary Examiner*—Cathron C Brooks

*Assistant Examiner*—Karen E Kearney

(74) *Attorney, Agent, or Firm*—Leong C. Lei

(57) **CLAIM**

The ornamental design for an external storage device case, as shown and described.

**DESCRIPTION**

FIG. 1 is a perspective view of an external storage device case showing my new design;

FIG. 2 is a front elevational view thereof;

FIG. 3 is a rear elevational view thereof;

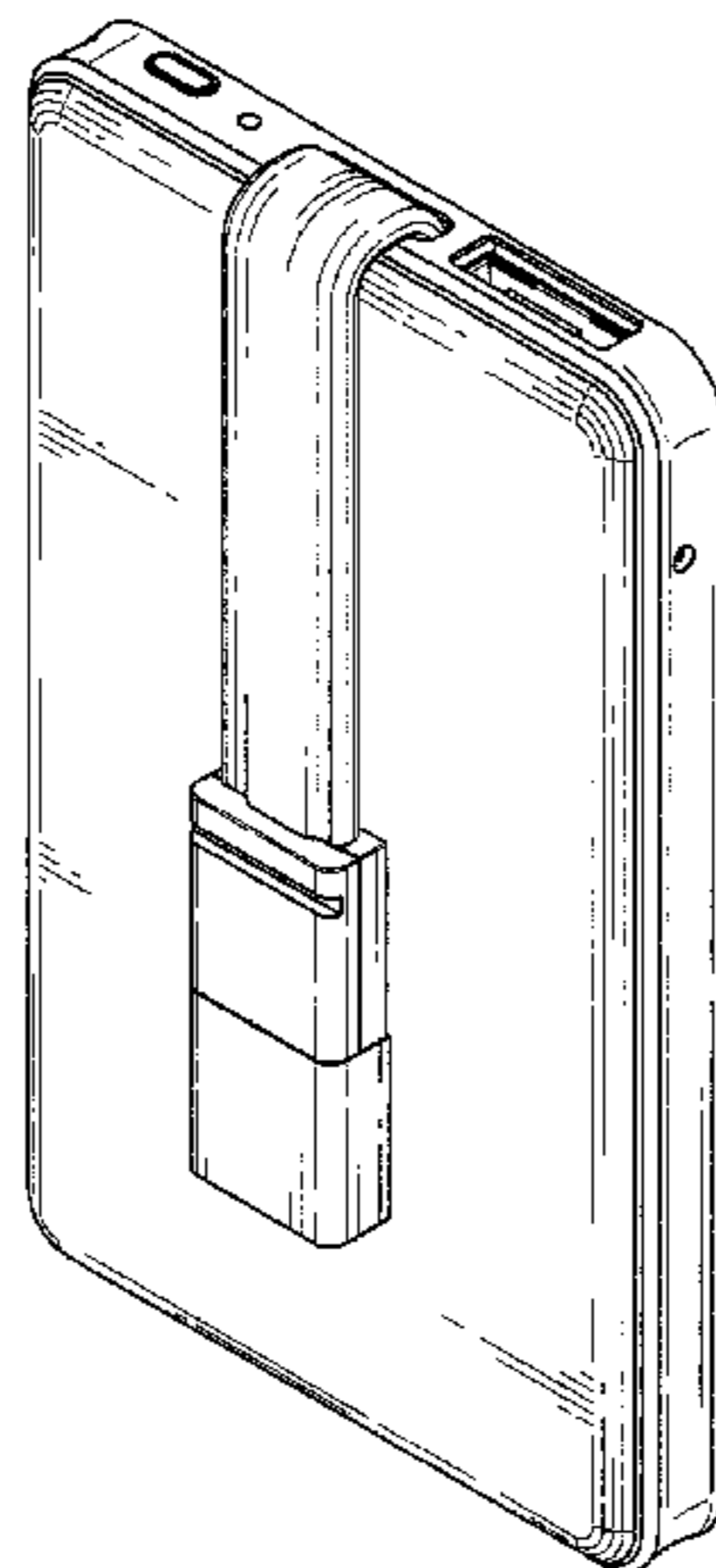
FIG. 4 is a left side elevational view thereof;

FIG. 5 is a right side elevational view thereof;

FIG. 6 is a top plan view thereof; and,

FIG. 7 is a bottom plan view thereof.

**1 Claim, 5 Drawing Sheets**



OTHER PUBLICATIONS

Sierra Wireless AirCard® USB Modems, [online], [retrieved on May 3, 2010]. Retrieved from the Internet <URL: <http://www.sierrawireless.com>>.\*

Stop the Cap! >> Netgear Will Help Internet Subscribers Independently Measure Broadband Use, [online] posted on Jul. 21, 2009

[retrieved on Jun. 23, 2010]. Retrieved from the Internet <URL: <http://stopthecap.com/2009/07/21/netgear-will-help-internet-subscribers-independently-measure-broadband-use/>>.\*

\* cited by examiner

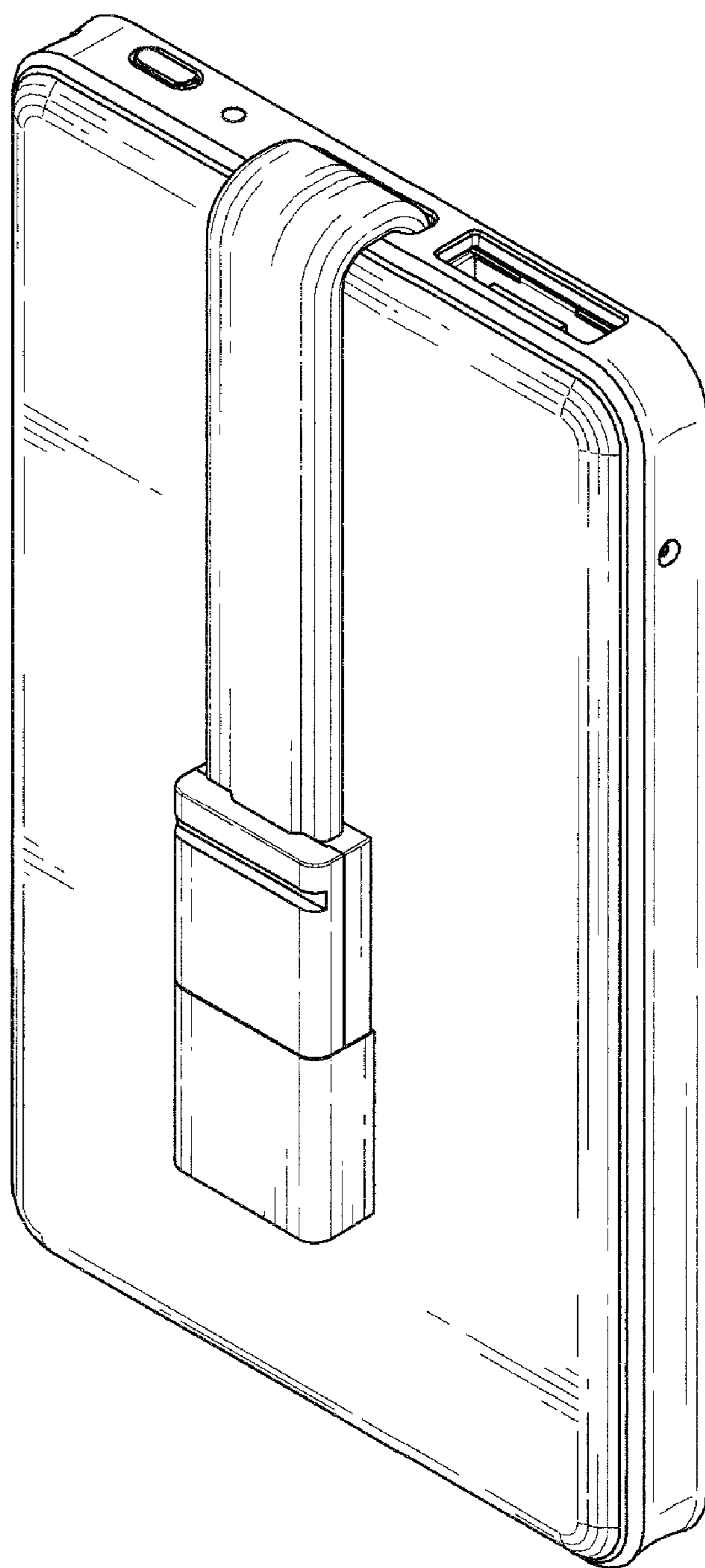


FIG. 1

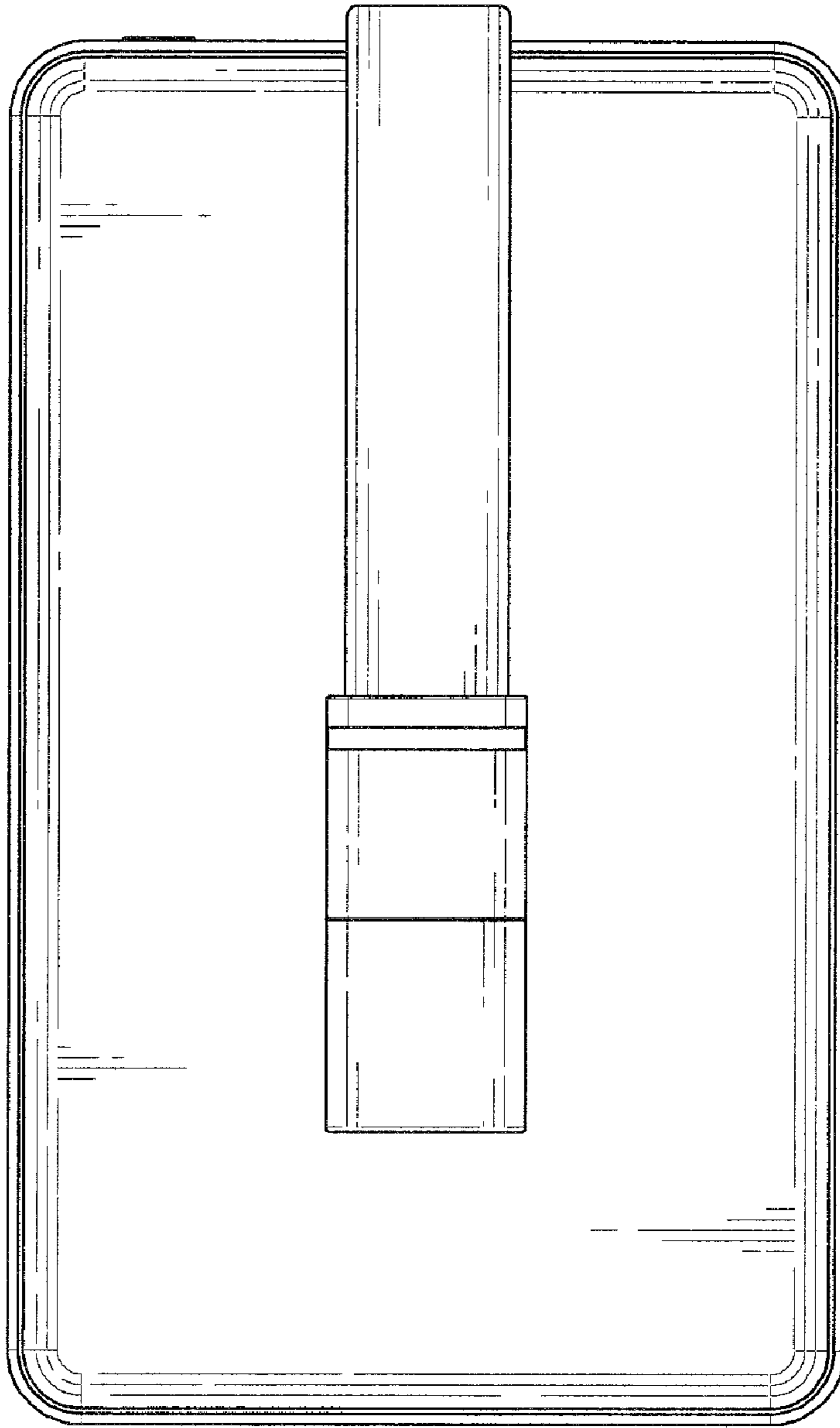


FIG. 2

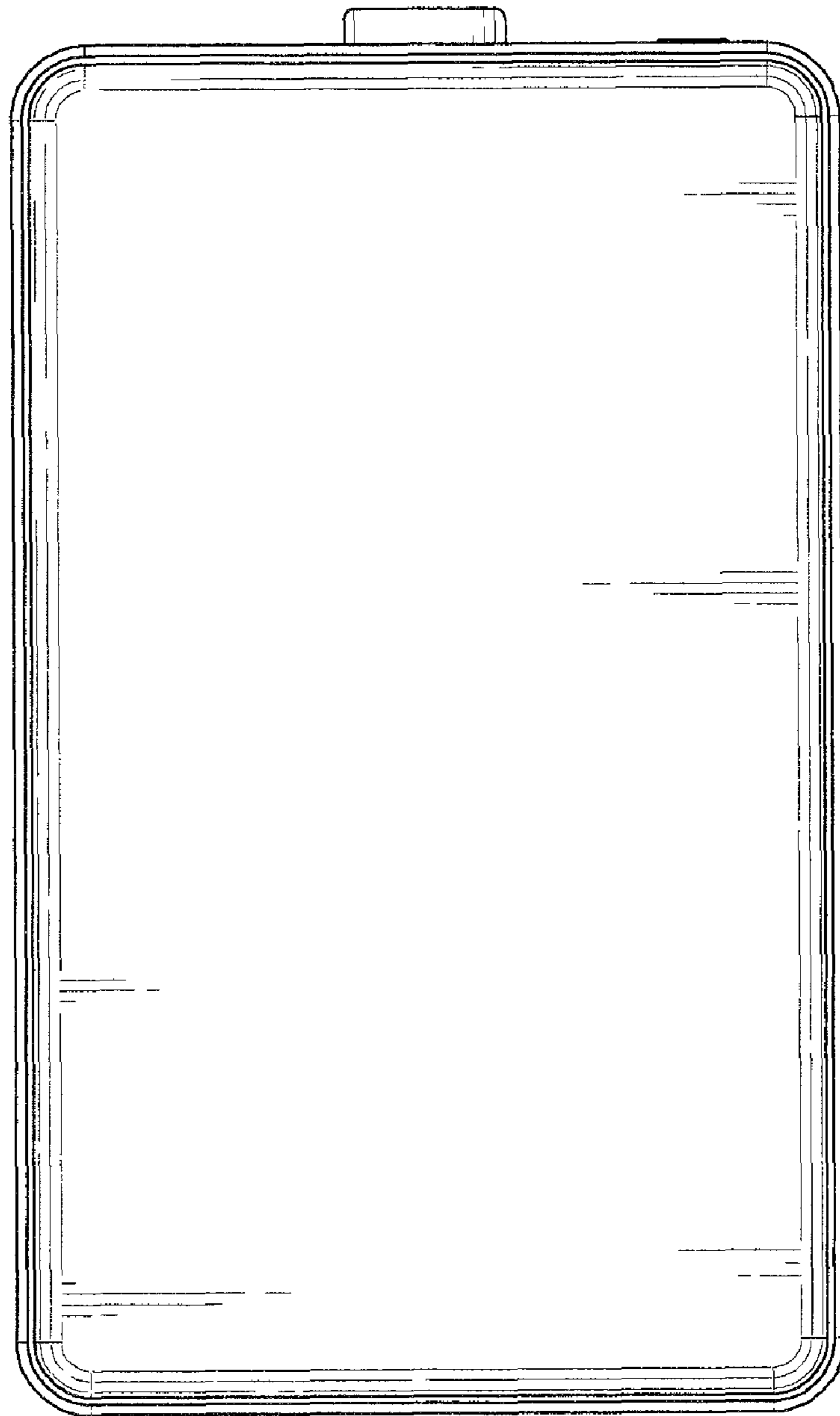


FIG. 3

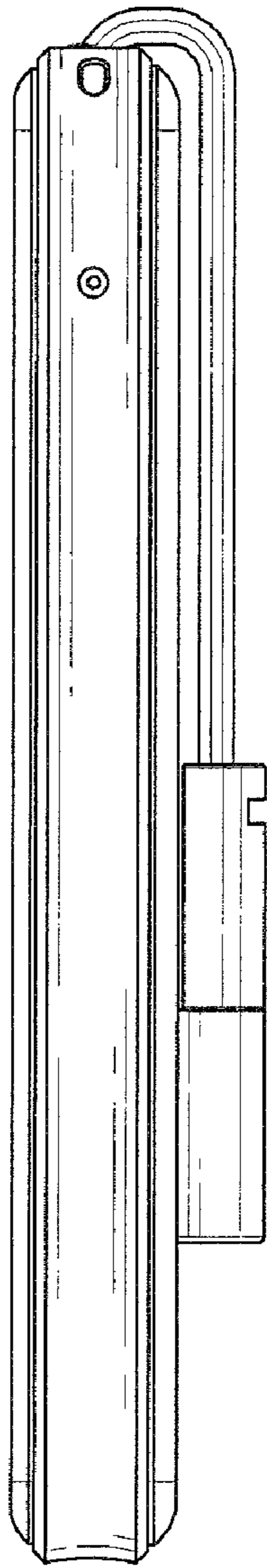


FIG. 4

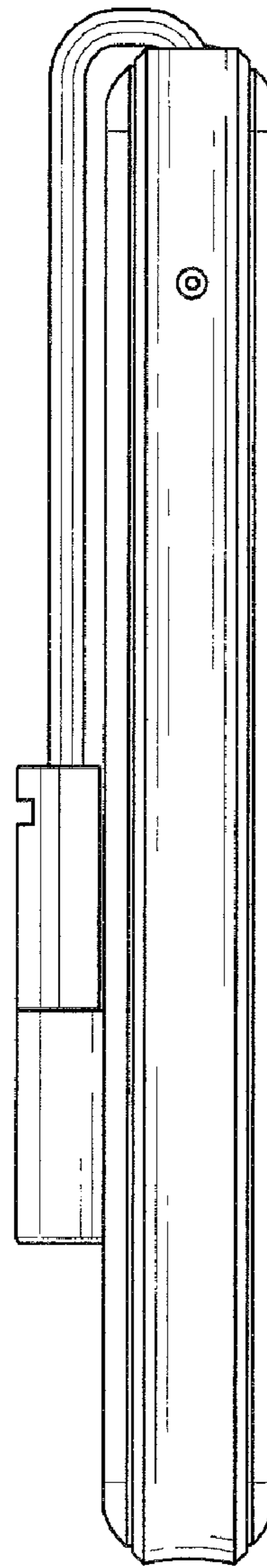


FIG. 5

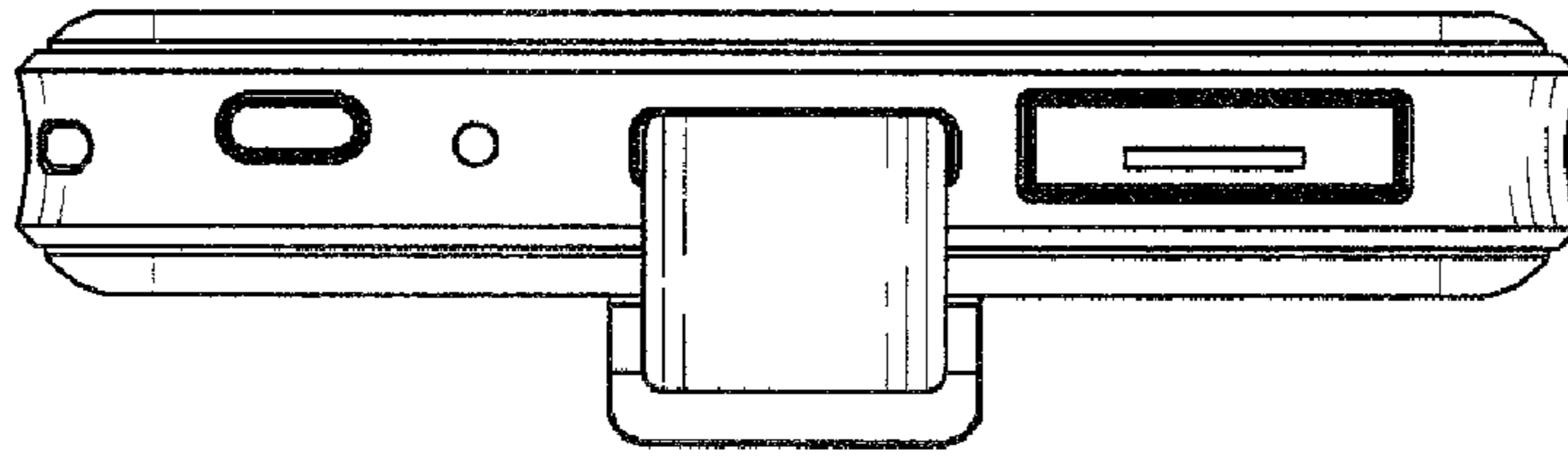


FIG. 6

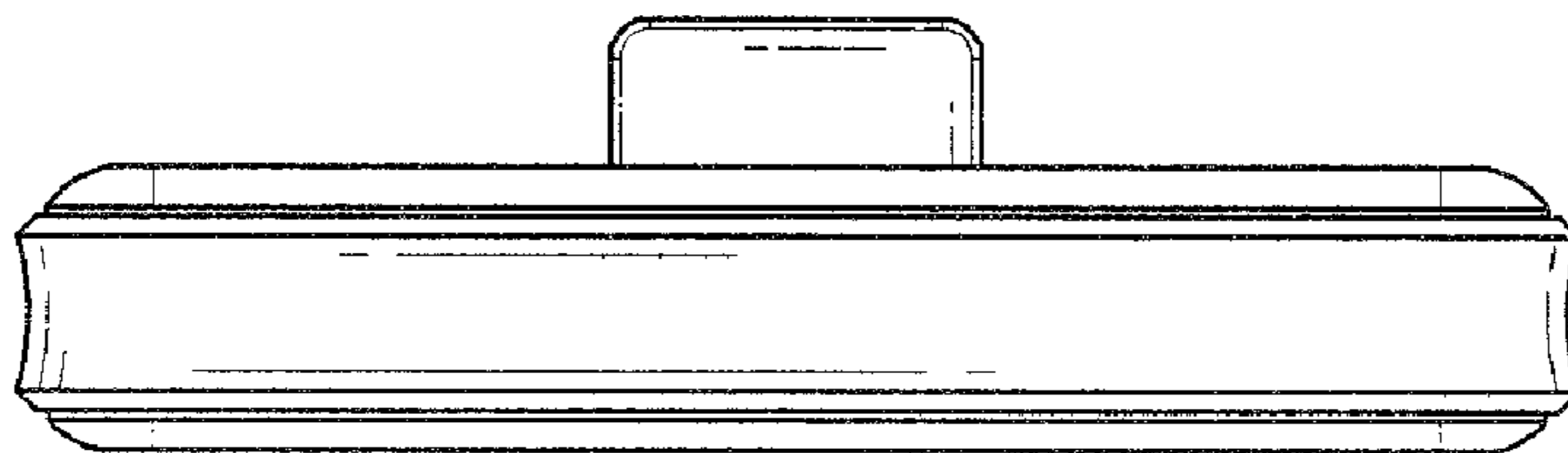


FIG. 7