



US00D628565S

(12) **United States Design Patent**
Wu et al.

(10) **Patent No.:** **US D628,565 S**

(45) **Date of Patent:** **** Dec. 7, 2010**

(54) **BLUETOOTH HEADSET**

(75) Inventors: **Kun-Tsan Wu**, Shindian (TW); **Li-Wen Tien**, Shindian (TW)

(73) Assignee: **FIH (Hong Kong) Limited**, Kowloon (HK)

(**) Term: **14 Years**

(21) Appl. No.: **29/353,977**

(22) Filed: **Jan. 18, 2010**

(30) **Foreign Application Priority Data**

Dec. 22, 2009 (CN) 200930330172

(51) **LOC (9) Cl.** **14-01**

(52) **U.S. Cl.** **D14/223**

(58) **Field of Classification Search** D14/205,
D14/206, 223, 240, 251, 253, 254, 238.1;
181/129, 130; 379/430; 455/90.3, 455.2;
D24/174; 128/864, 866, 867

See application file for complete search history.

(56) **References Cited**

U.S. PATENT DOCUMENTS

2,430,229	A *	11/1947	Kelsey	381/338
2,971,065	A *	2/1961	Busse	381/321
4,069,400	A *	1/1978	Johanson et al.	381/324
D287,765	S *	1/1987	Topholm	D24/174
5,654,530	A *	8/1997	Sauer et al.	181/130
D481,709	S *	11/2003	Solderits	D14/228
D482,022	S *	11/2003	Nakano	D14/223

D505,411	S *	5/2005	Sakai	D14/192
D512,417	S *	12/2005	Hirakawa et al.	D14/223
D519,985	S *	5/2006	Wikel et al.	D14/205
7,120,267	B2 *	10/2006	Ito et al.	381/375
D537,438	S *	2/2007	Hermansen	D14/223
D543,972	S *	6/2007	Taylor	D14/223
D579,006	S *	10/2008	Kim et al.	D14/223
D600,675	S *	9/2009	Lee et al.	D14/205
D603,380	S *	11/2009	Hutchieson	D14/223

* cited by examiner

Primary Examiner—Paula Greene

(74) *Attorney, Agent, or Firm*—Steven M. Reiss

(57) **CLAIM**

The ornamental design for a bluetooth headset, as shown and described.

DESCRIPTION

FIG. 1 is a perspective view of a bluetooth headset showing our new design;

FIG. 2 is a front elevational view thereof;

FIG. 3 is a rear elevational view thereof;

FIG. 4 is a left side elevational view thereof;

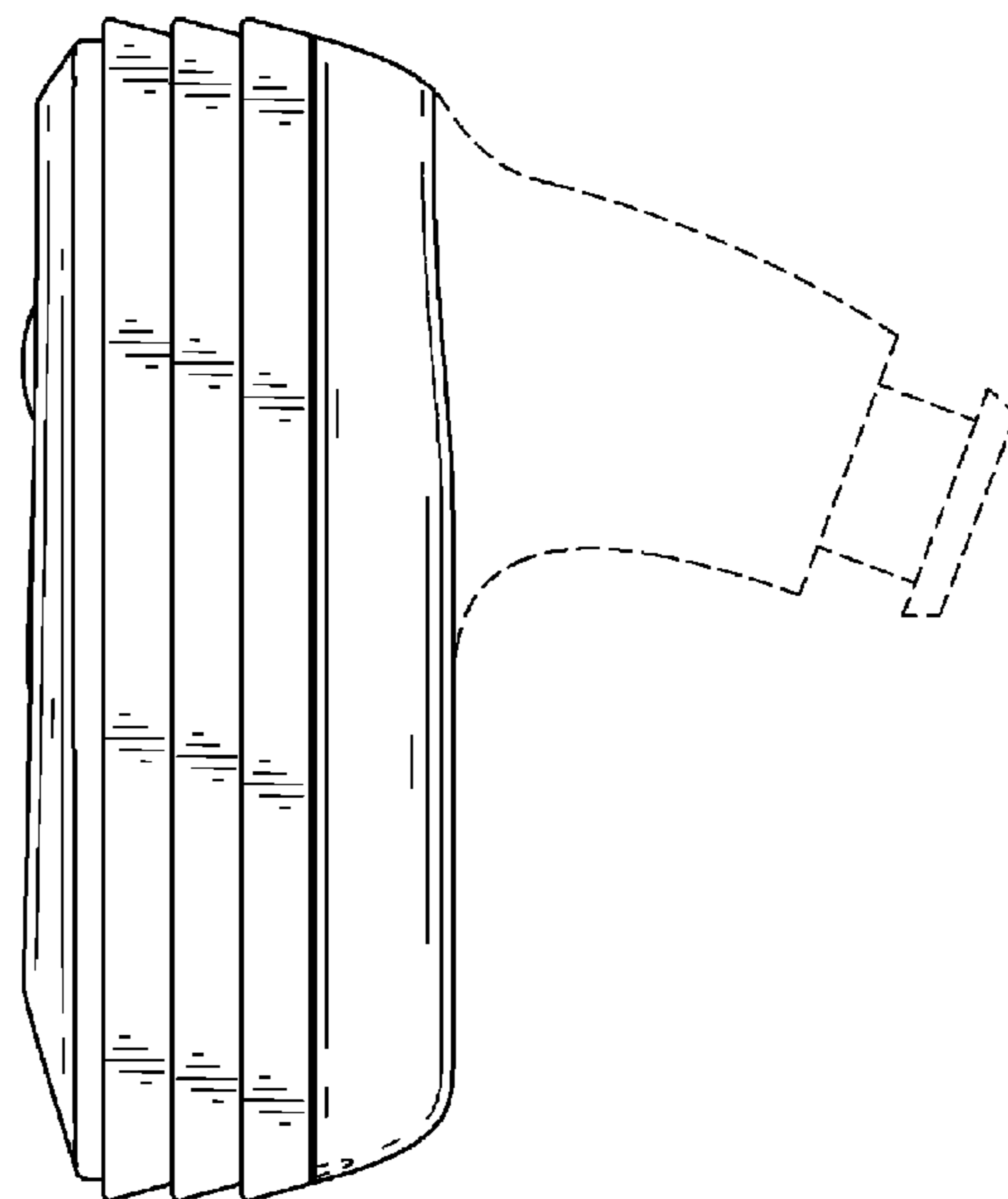
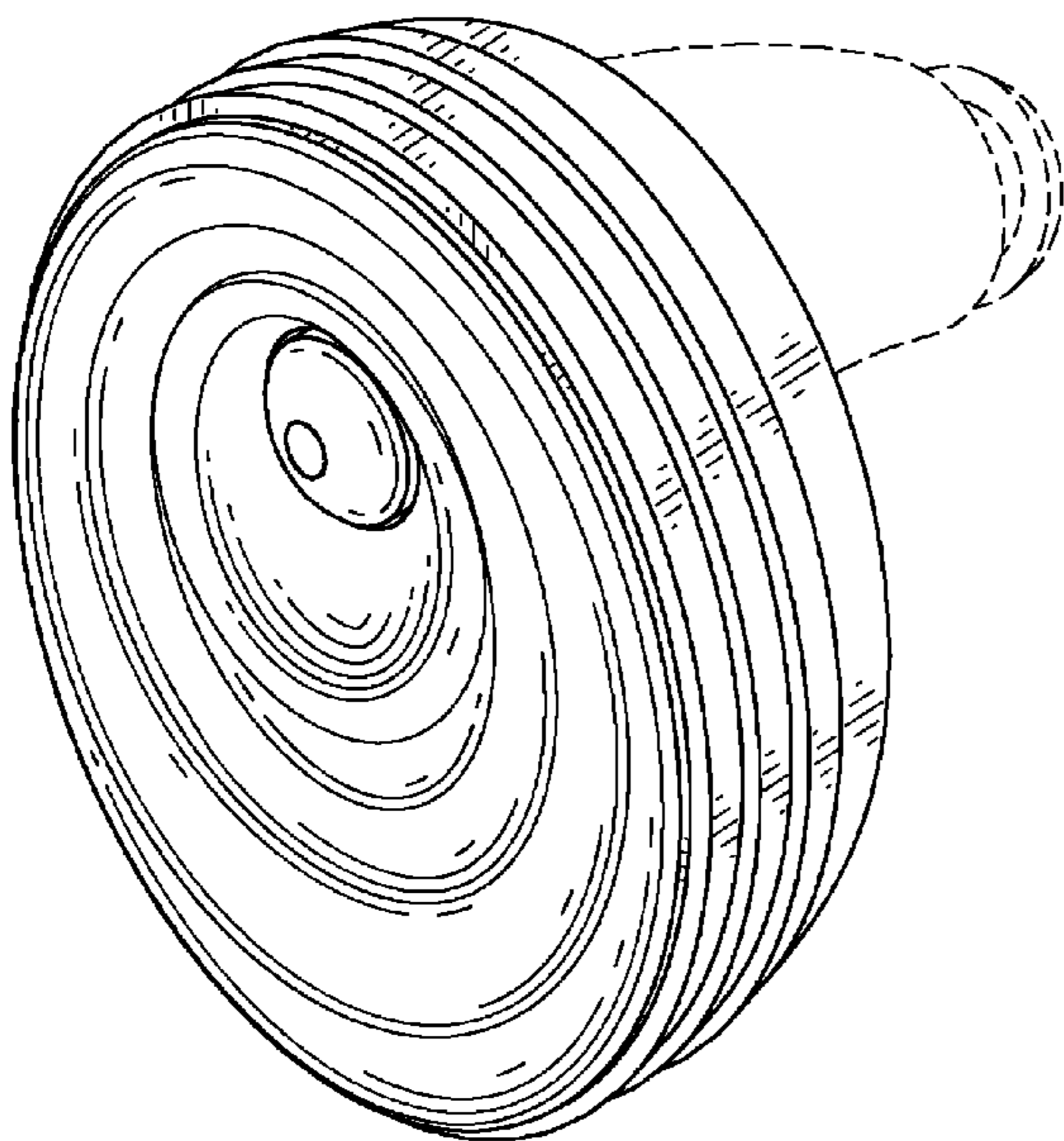
FIG. 5 is a right side elevational view thereof;

FIG. 6 is a top plan view thereof; and,

FIG. 7 is a bottom plan view thereof.

The broken lines are for illustrative purposes only and form no part of the claimed design.

1 Claim, 7 Drawing Sheets



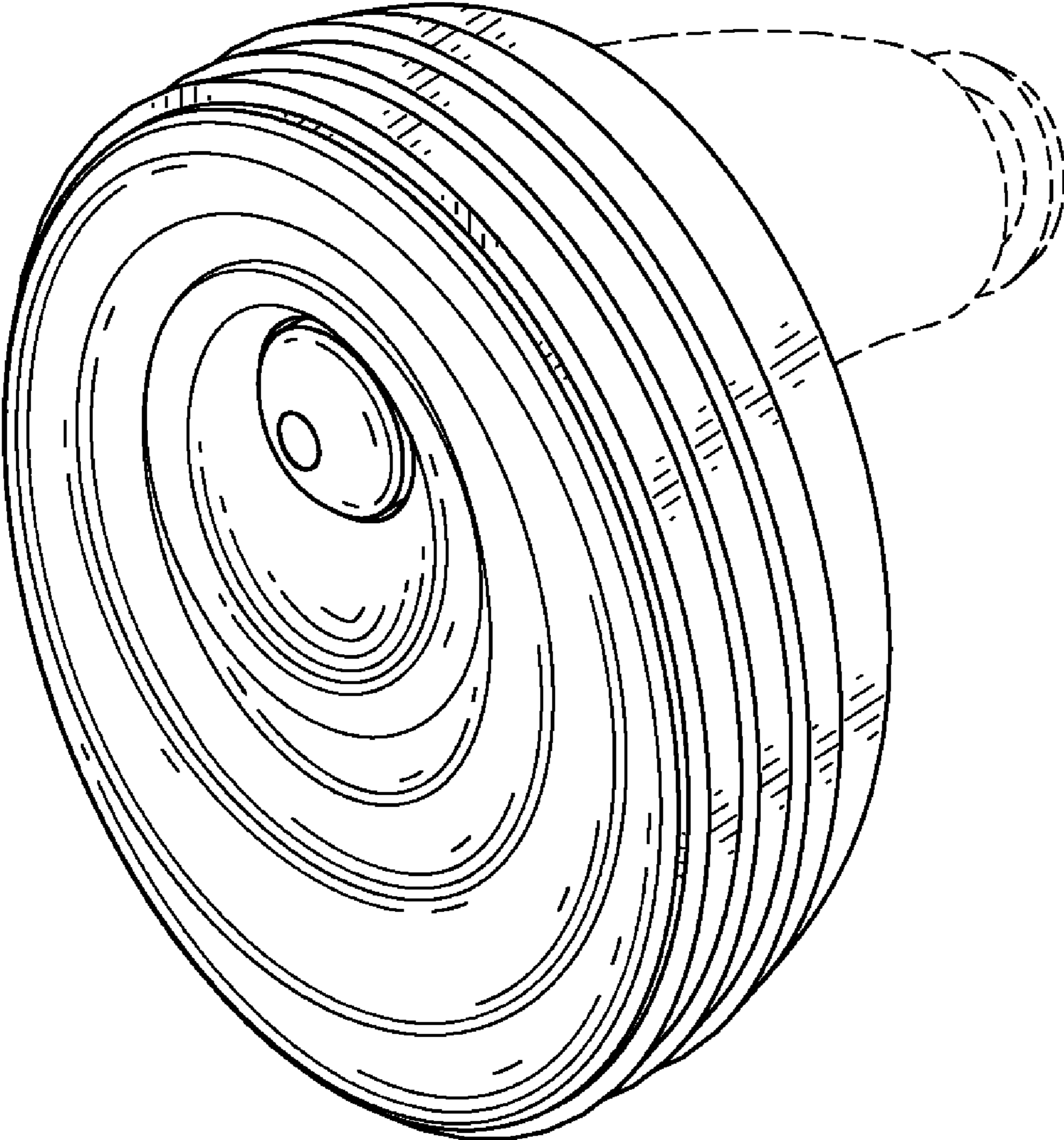


FIG. 1

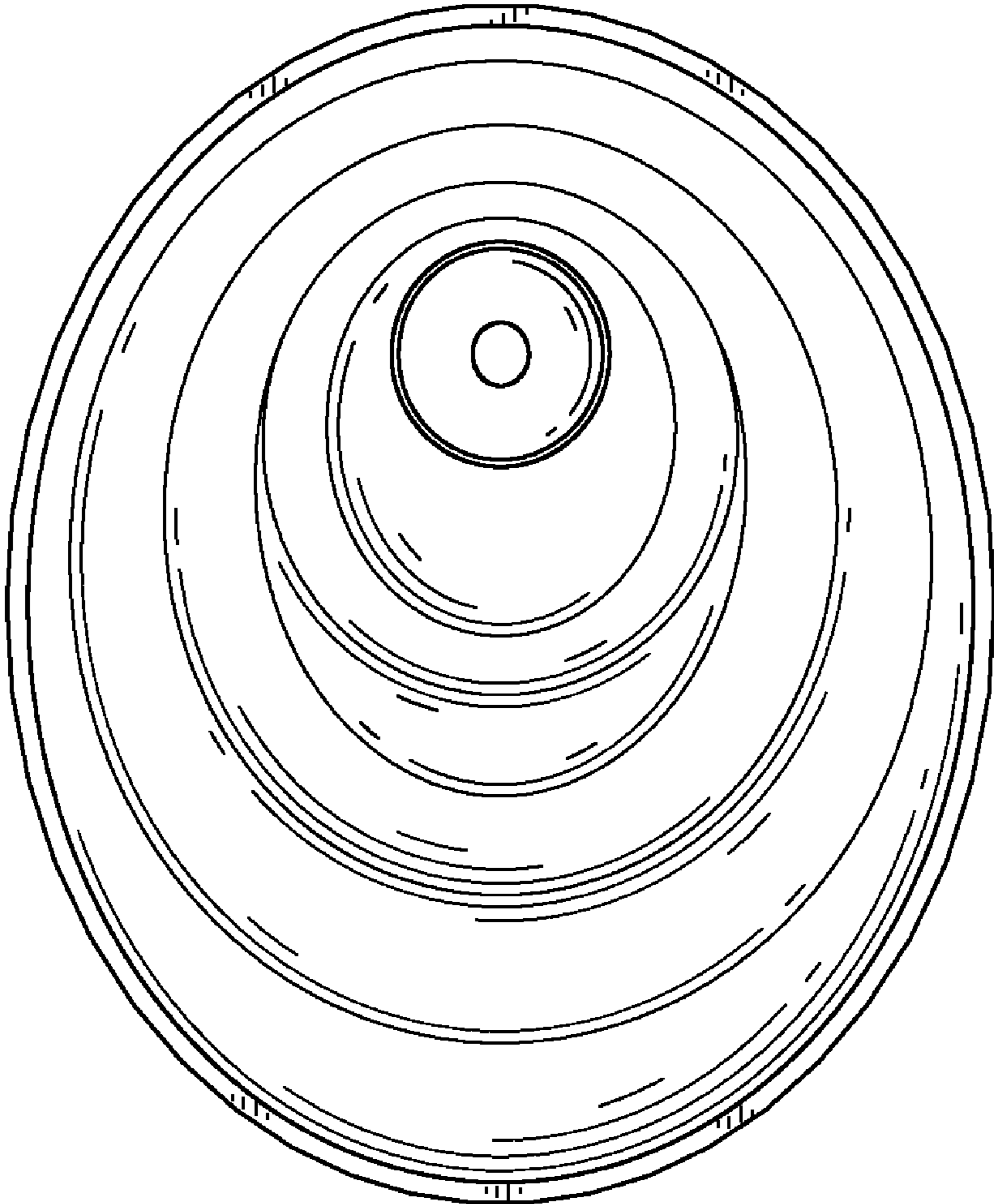


FIG. 2

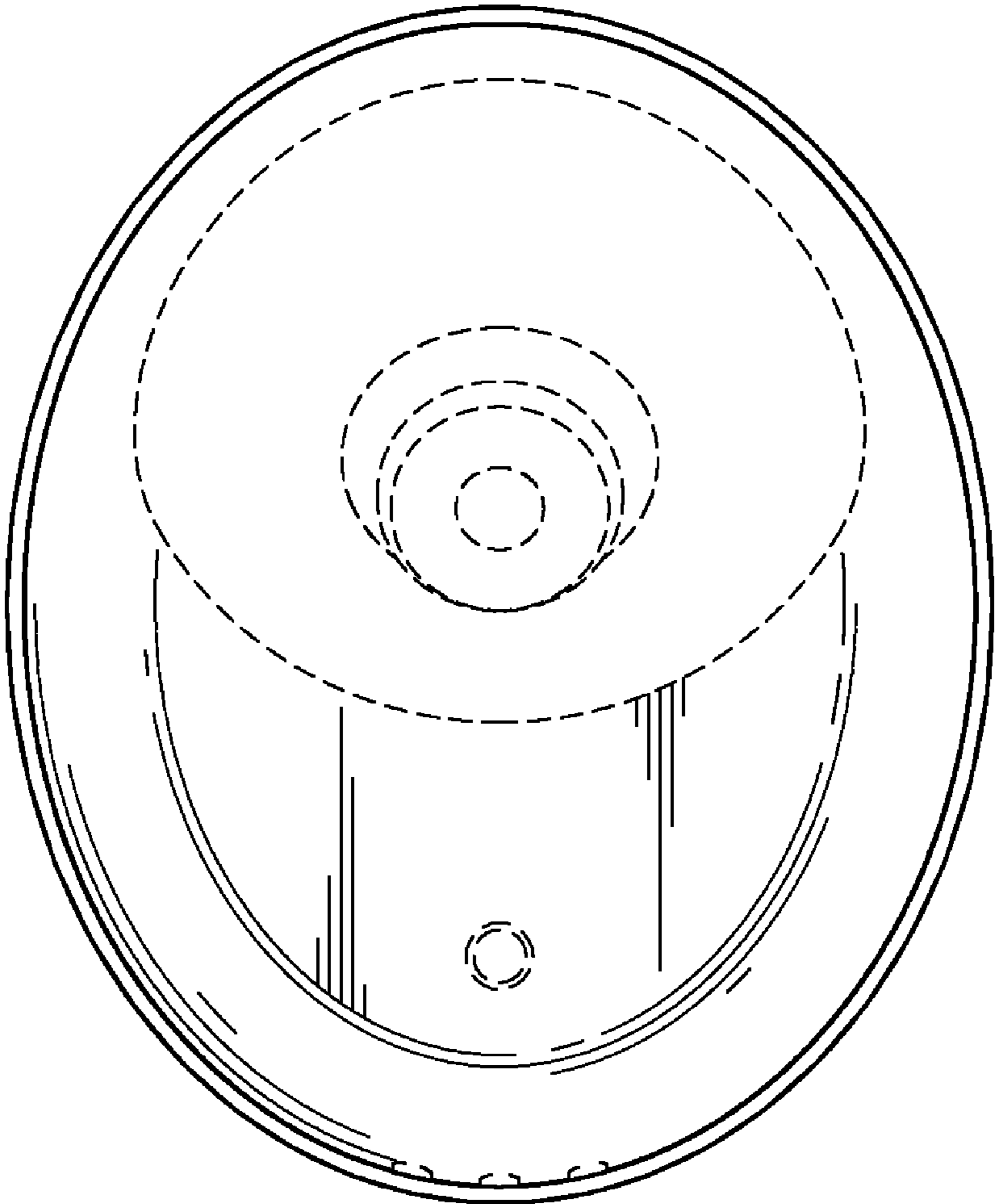


FIG. 3

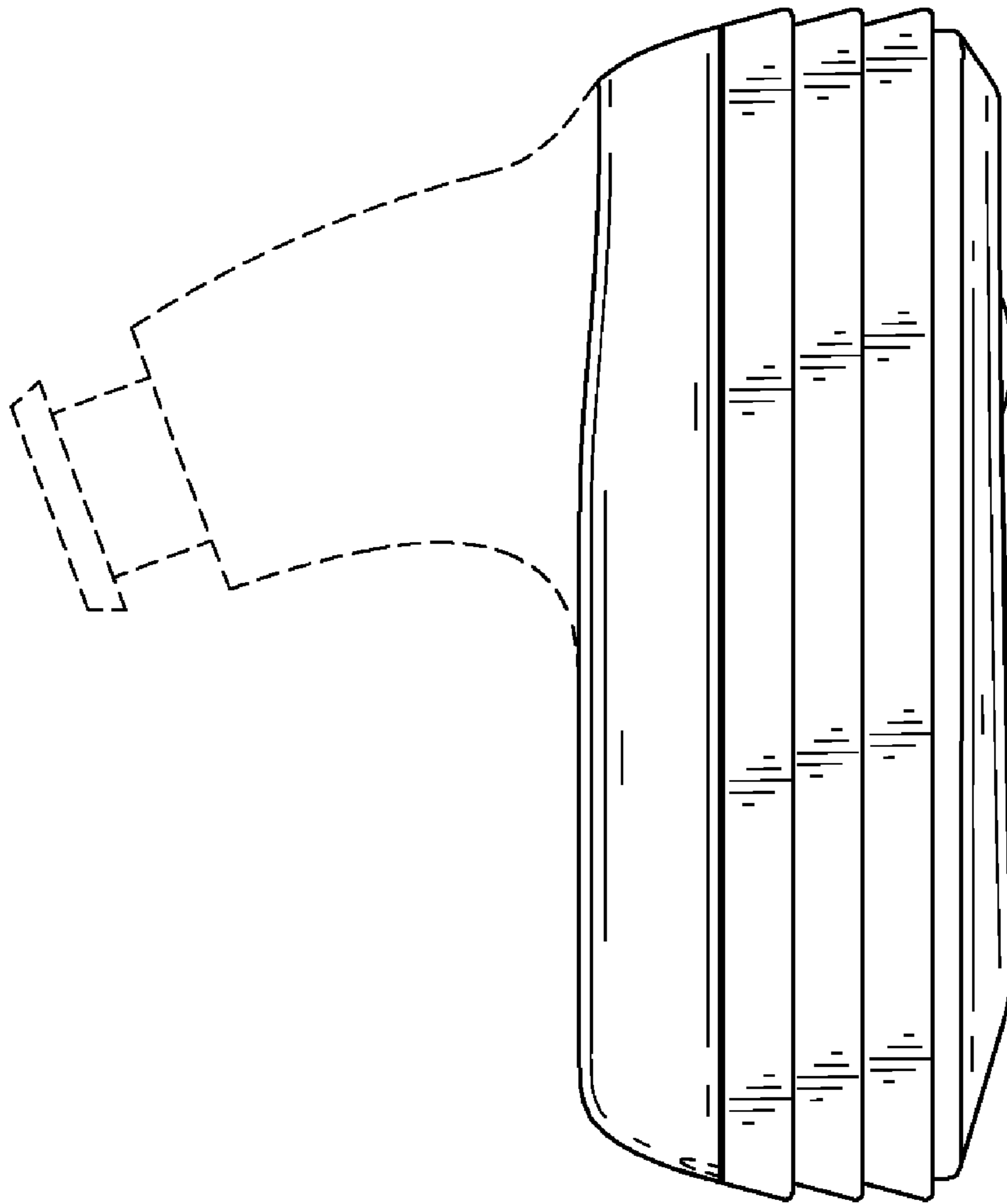


FIG. 4

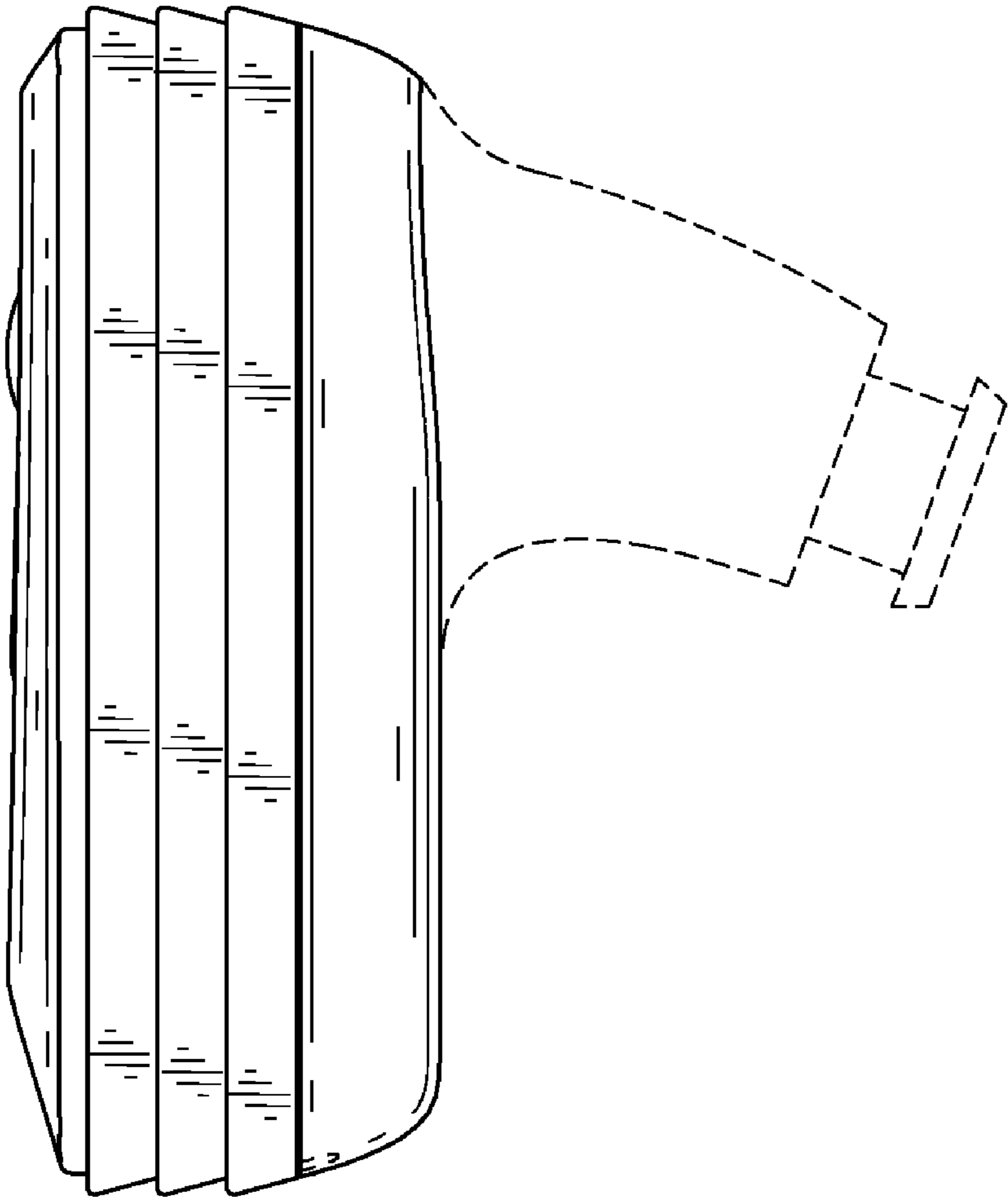


FIG. 5

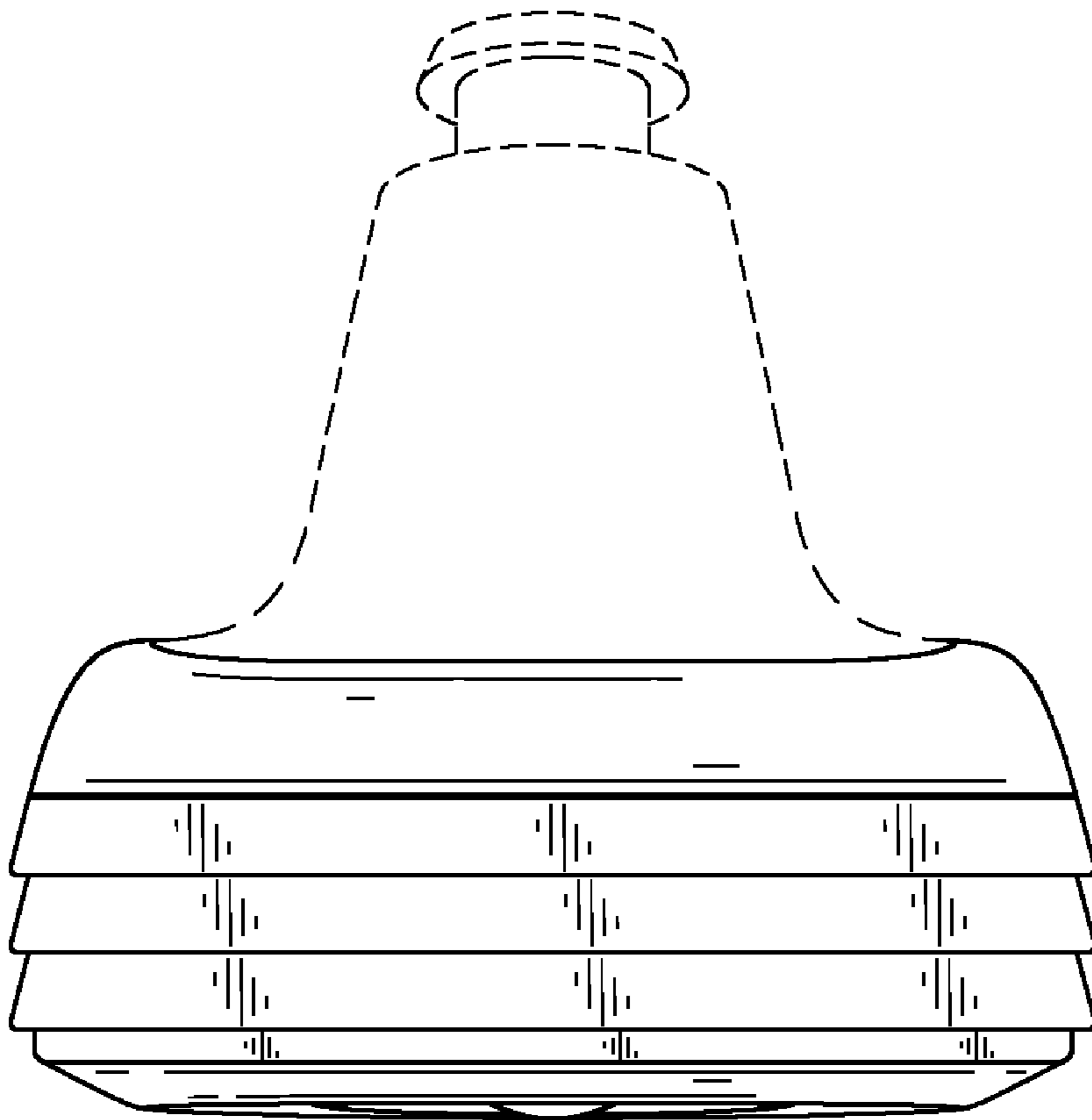


FIG. 6

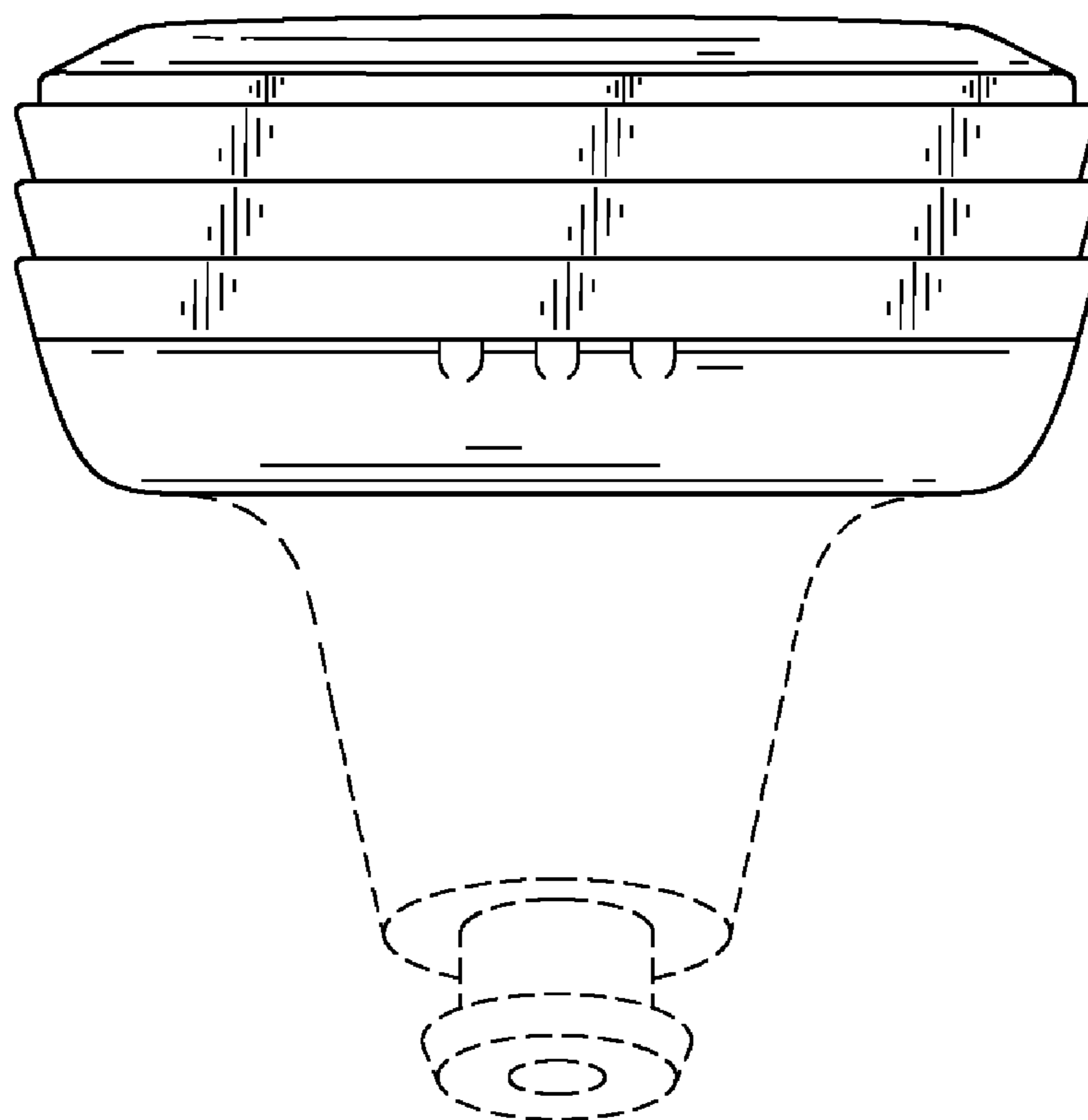


FIG. 7