

US00D628562S

(12) **United States Design Patent**  
**Akana et al.**

(10) **Patent No.:** **US D628,562 S**  
(45) **Date of Patent:** **\*\* Dec. 7, 2010**

(54) **DOCKING STATION**

(75) Inventors: **Jody Akana**, San Francisco, CA (US); **Bartley K. Andre**, Menlo Park, CA (US); **Jeremy Bataillou**, San Francisco, CA (US); **Daniel J. Coster**, San Francisco, CA (US); **Daniele De Iuliis**, San Francisco, CA (US); **Evans Hankey**, San Francisco, CA (US); **Richard P. Howarth**, San Francisco, CA (US); **Jonathan P. Ive**, San Francisco, CA (US); **Duncan Robert Kerr**, San Francisco, CA (US); **Shin Nishibori**, Portola Valley, CA (US); **Matthew Dean Rohrbach**, San Francisco, CA (US); **Peter Russell-Clarke**, San Francisco, CA (US); **Christopher J. Stringer**, Woodside, CA (US); **Eugene Antony Whang**, San Francisco, CA (US); **Rico Zorkendorfer**, San Francisco, CA (US)

(73) Assignee: **Apple Inc.**, Cupertino, CA (US)

(\*\*) Term: **14 Years**

(21) Appl. No.: **29/353,321**

(22) Filed: **Jan. 6, 2010**

(51) **LOC (9) Cl.** ..... **14-02**

(52) **U.S. Cl.** ..... **D14/217; D14/434**

(58) **Field of Classification Search** ..... D14/142, D14/149, 155, 157, 188, 191-193, 203.1-203.8, D14/217, 251, 253, 432-435.1, 447, 451, D14/496, 474, 480.1-480.7; D13/107, 108, D13/118; D3/218; 248/221.11, 309.1; 320/107, 320/110, 113-115; 361/600; 439/529, 534; 455/556.1-556.2, 557

See application file for complete search history.

(56) **References Cited**

**U.S. PATENT DOCUMENTS**

D335,861 S \* 5/1993 Tattari ..... D13/108

(Continued)

*Primary Examiner*—Stella M Reid

*Assistant Examiner*—Keli L Hill

(74) *Attorney, Agent, or Firm*—Sterne, Kessler, Goldstein & Fox PLLC

(57) **CLAIM**

The ornamental design for a docking station, as shown and described.

**DESCRIPTION**

FIG. 1 is a top front perspective view of a docking station showing our new design;

FIG. 2 is a top rear perspective view thereof;

FIG. 3 is a bottom front perspective view thereof;

FIG. 4 is a bottom rear perspective view thereof;

FIG. 5 is a top view thereof;

FIG. 6 is a bottom view thereof;

FIG. 7 is a front view thereof;

FIG. 8 is rear view thereof;

FIG. 9 is a side view thereof;

FIG. 10 is another side view thereof;

FIG. 11 is a top front perspective view of another embodiment of a docking station showing our new design;

FIG. 12 is a top rear perspective view thereof;

FIG. 13 is a bottom front perspective view thereof;

FIG. 14 is a bottom rear perspective view thereof;

FIG. 15 is a top plan view thereof;

FIG. 16 is a bottom plan view thereof;

FIG. 17 is a front view thereof;

FIG. 18 is rear view thereof;

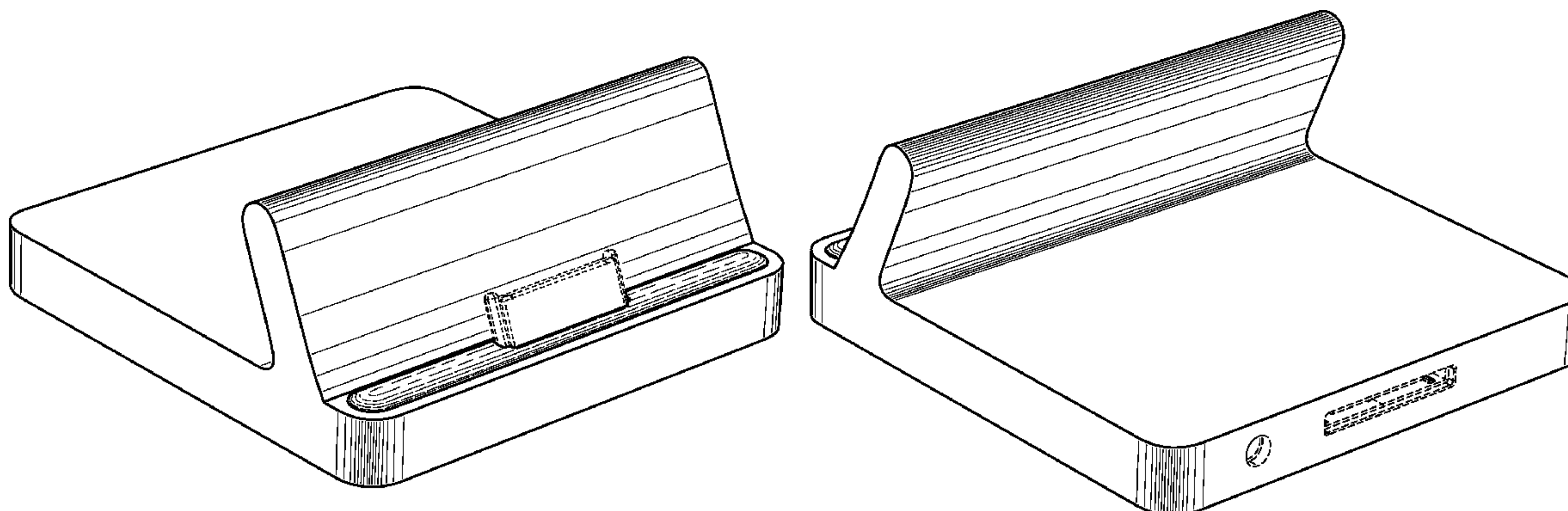
FIG. 19 is a side view thereof; and,

FIG. 20 is another side view thereof.

The shade lines in the Figures show contour and not surface ornamentation.

The broken lines in the figures show portions of the docking station which form no part of the claimed design.

**1 Claim, 10 Drawing Sheets**



# US D628,562 S

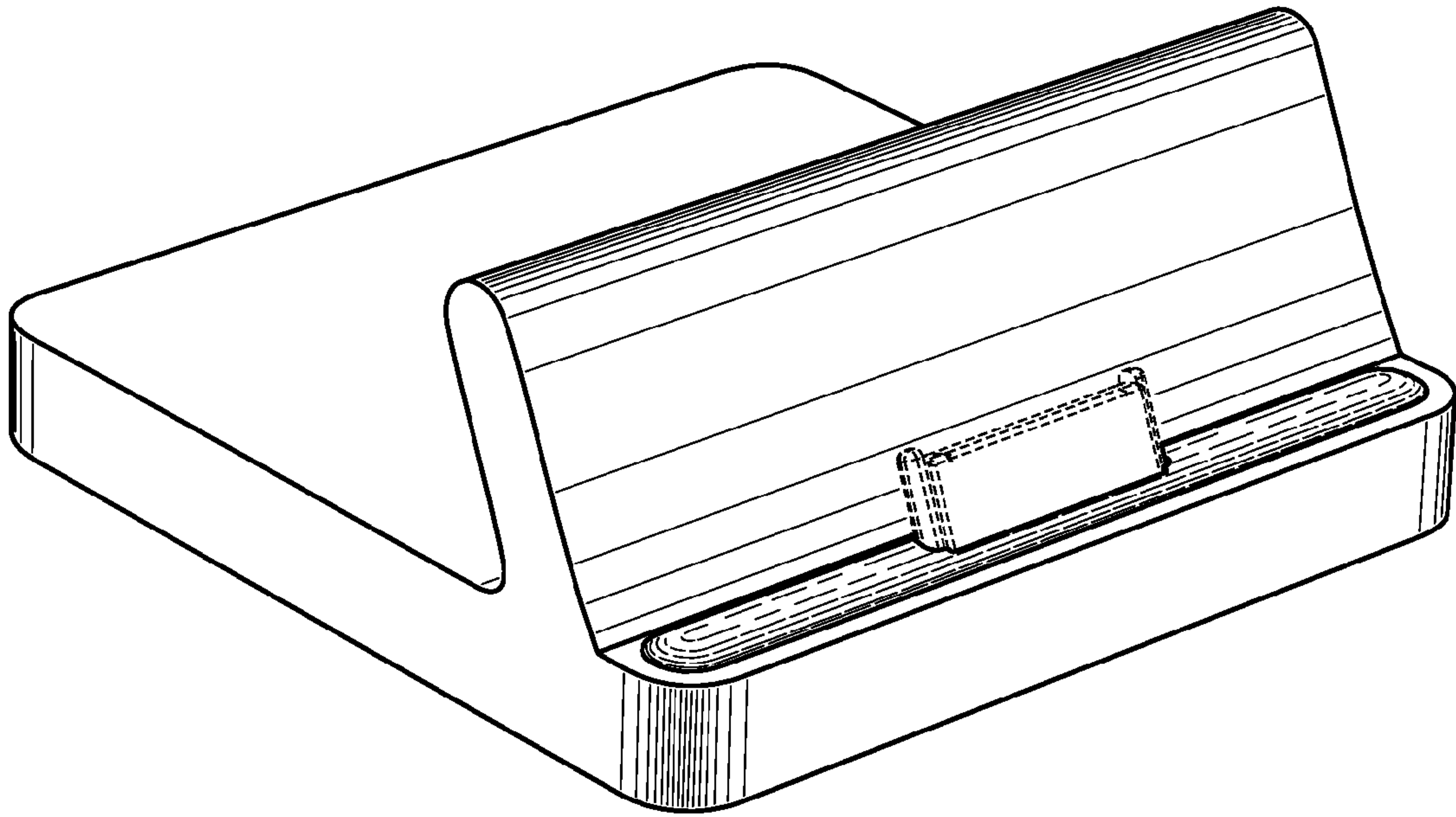
Page 2

---

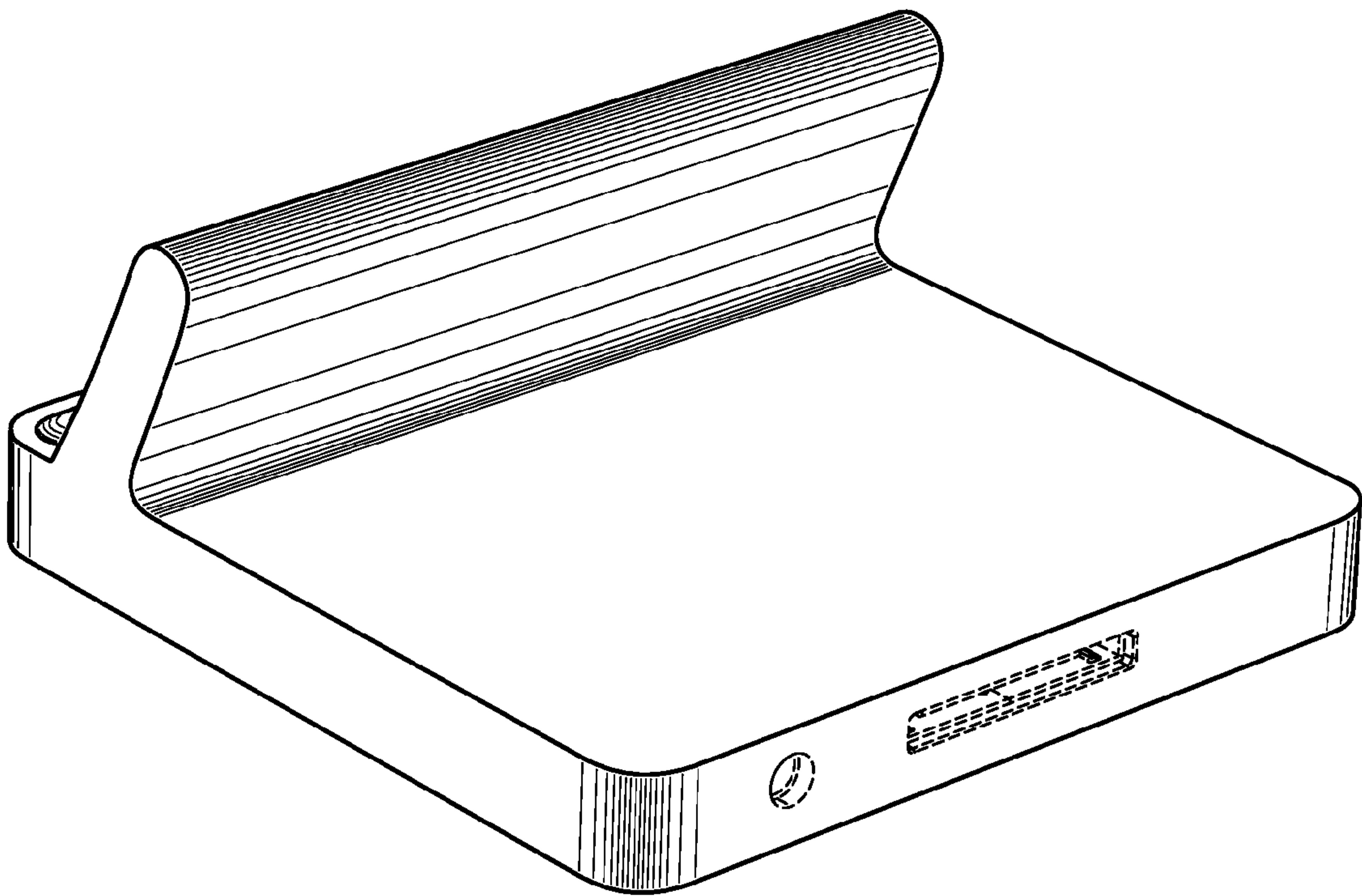
## U.S. PATENT DOCUMENTS

D408,026 S *	4/1999	Hung et al. ....	D14/461	D515,062 S *	2/2006	Winebrenner et al. ....	D14/149
6,031,924 A *	2/2000	Etzel .....	381/389	D579,917 S *	11/2008	Marchand et al. ....	D14/217
D429,242 S *	8/2000	Sun .....	D14/253	D584,731 S *	1/2009	Montgomery et al. ....	D14/434
D454,353 S *	3/2002	Hicks et al. ....	D14/457	D593,988 S *	6/2009	Liu et al. ....	D14/149
D483,771 S *	12/2003	Esswein .....	D14/457	D599,801 S *	9/2009	Skaf et al. ....	D14/434
D494,182 S *	8/2004	Singer et al. ....	D14/451	D607,879 S *	1/2010	Ferber et al. ....	D14/217
D507,526 S *	7/2005	Ohta .....	D13/108	D609,697 S *	2/2010	Legrand et al. ....	D14/217
				2010/0118485 A1 *	5/2010	Crooijmans et al. ....	361/679.43

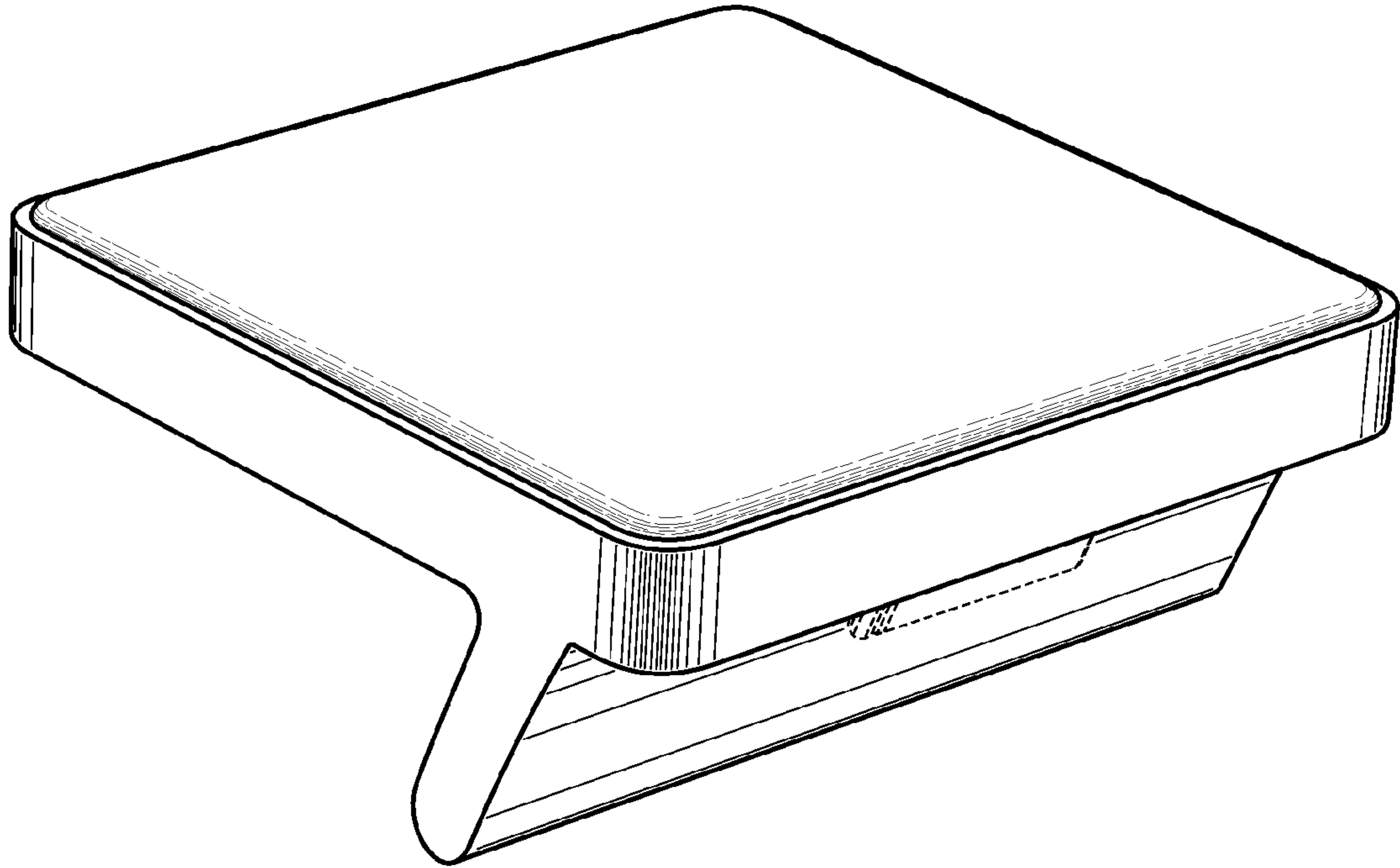
\* cited by examiner



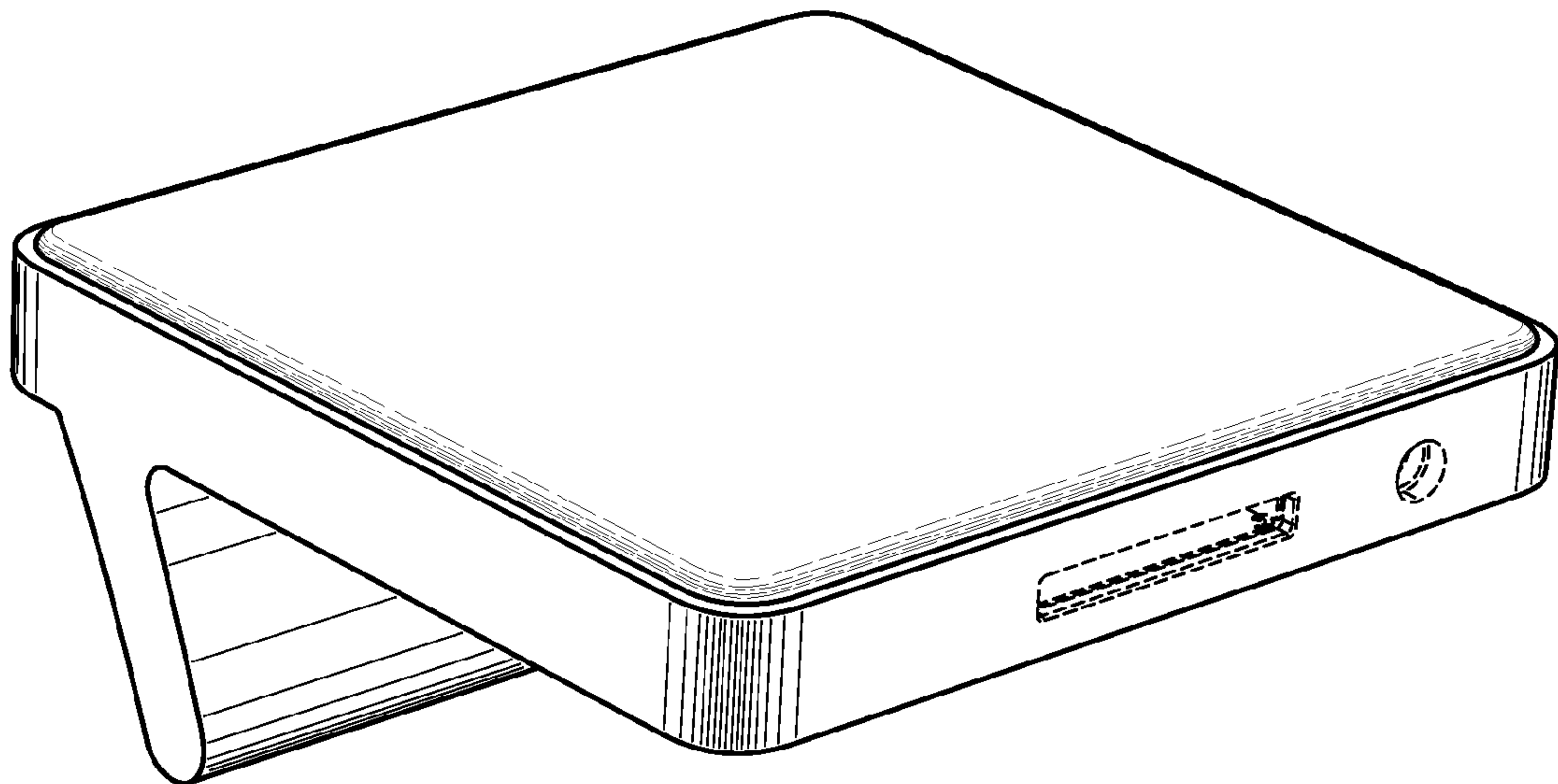
**FIG. 1**



**FIG. 2**

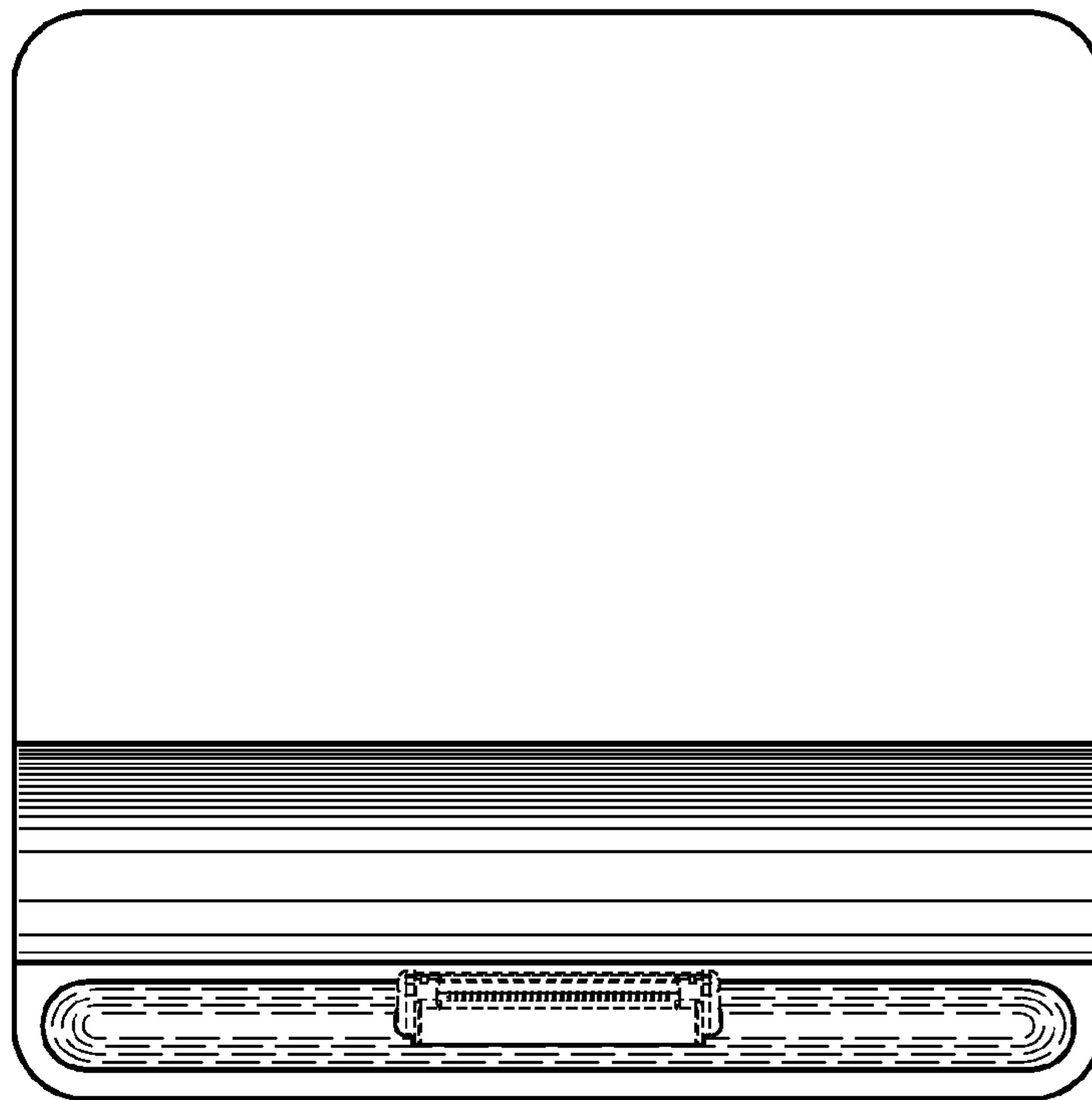


**FIG. 3**

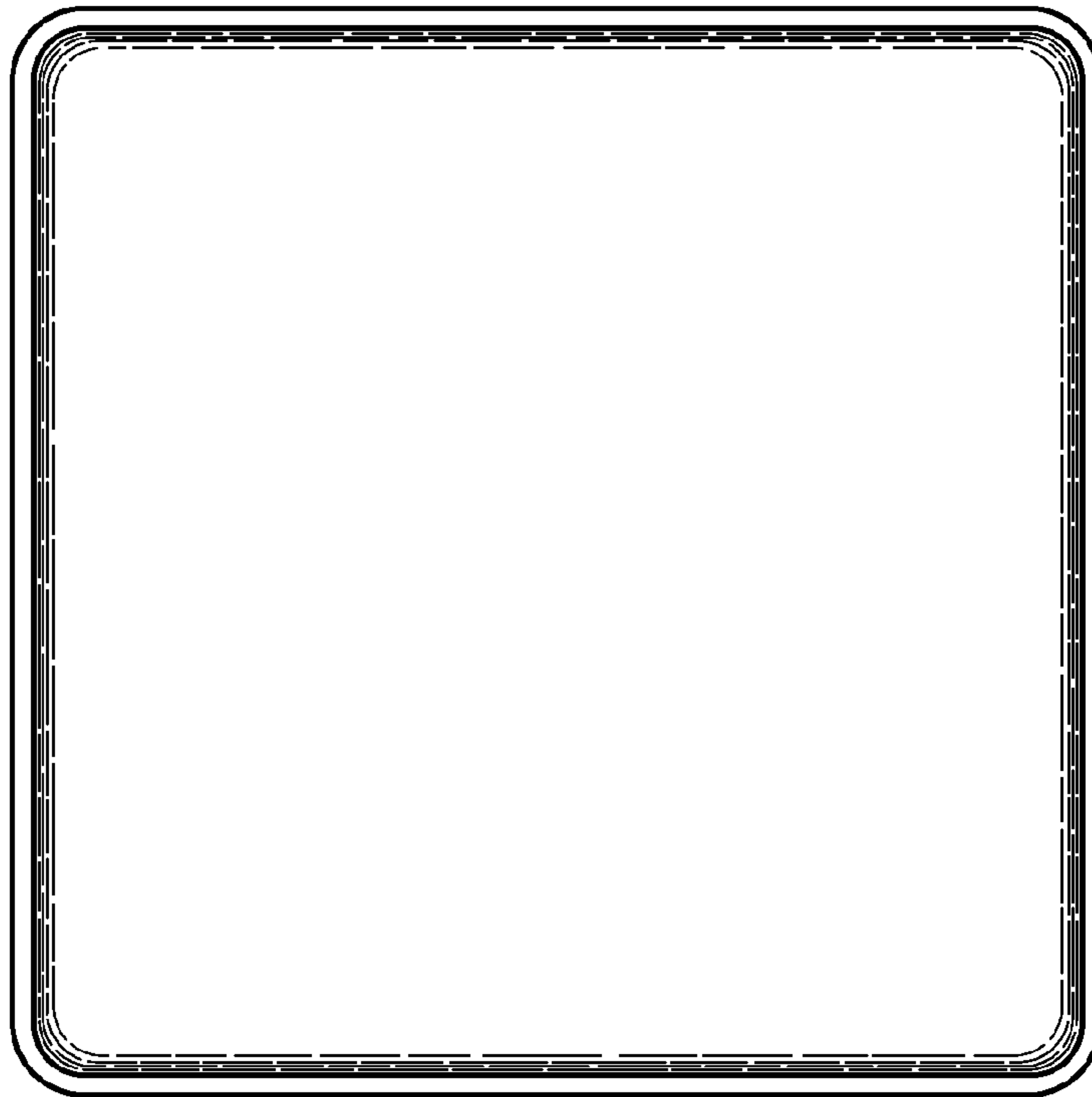


**FIG. 4**

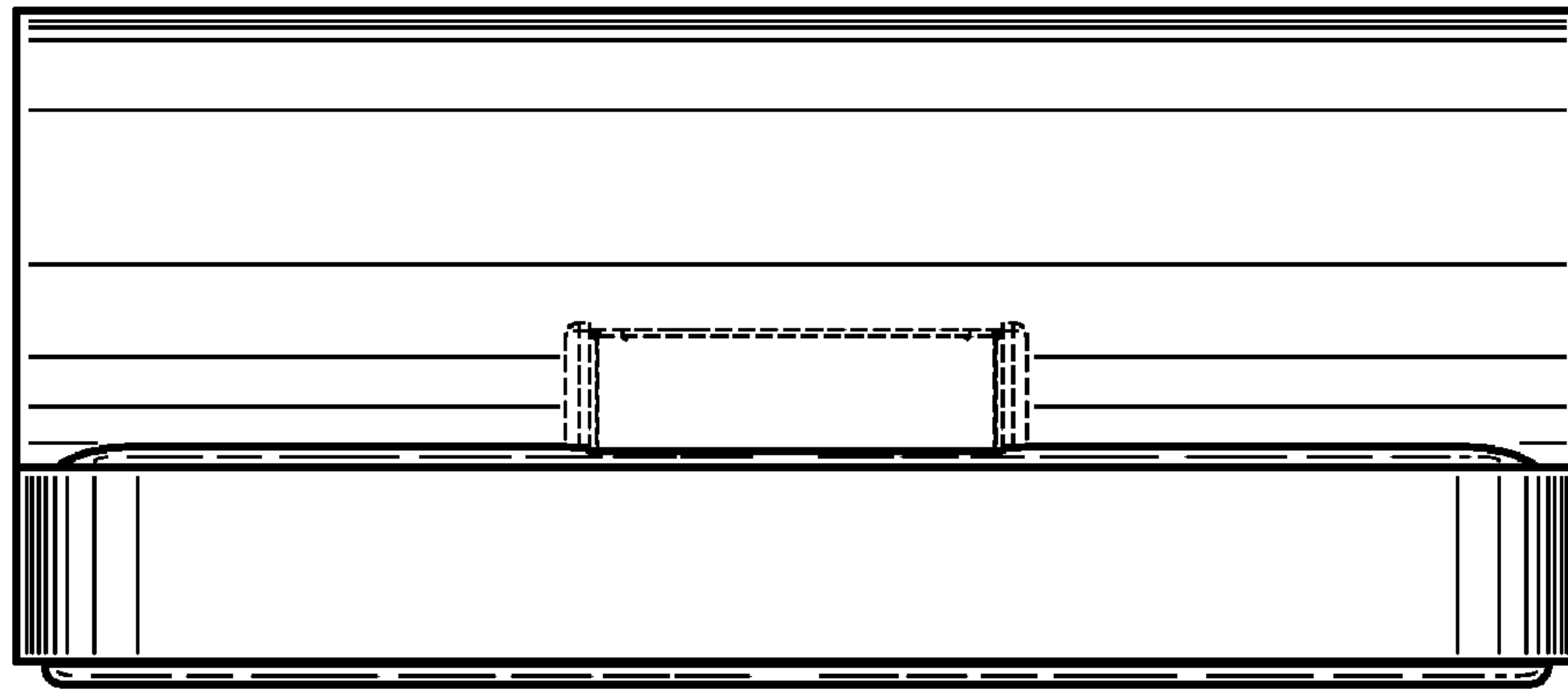




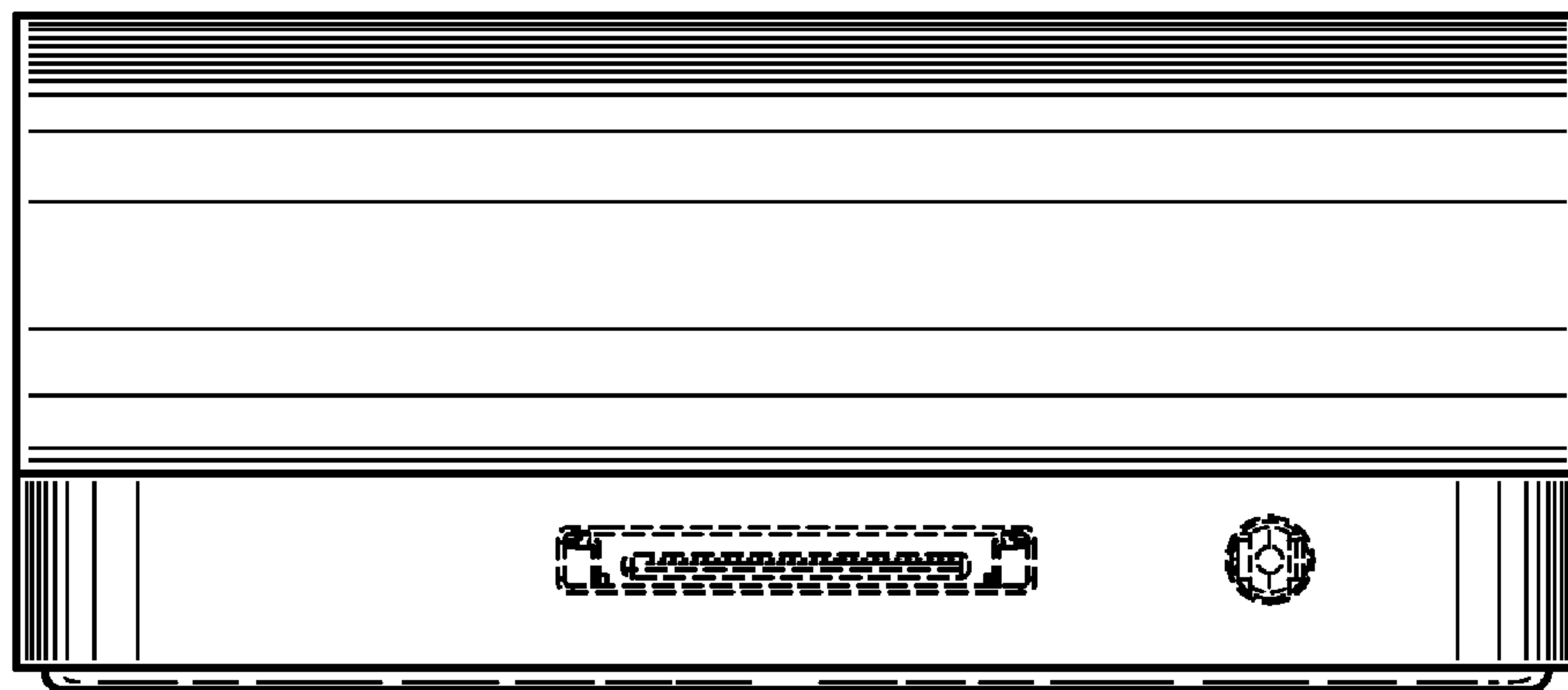
*FIG. 5*



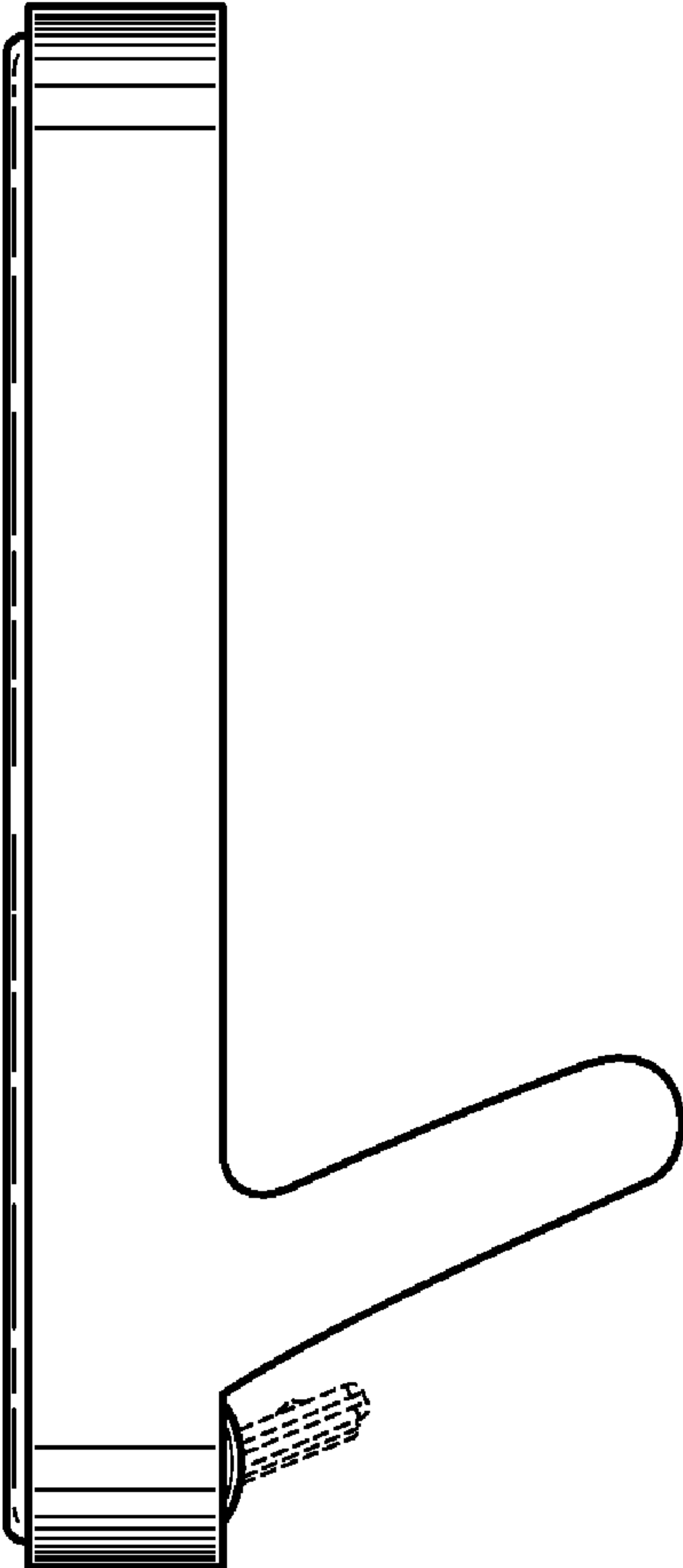
*FIG. 6*



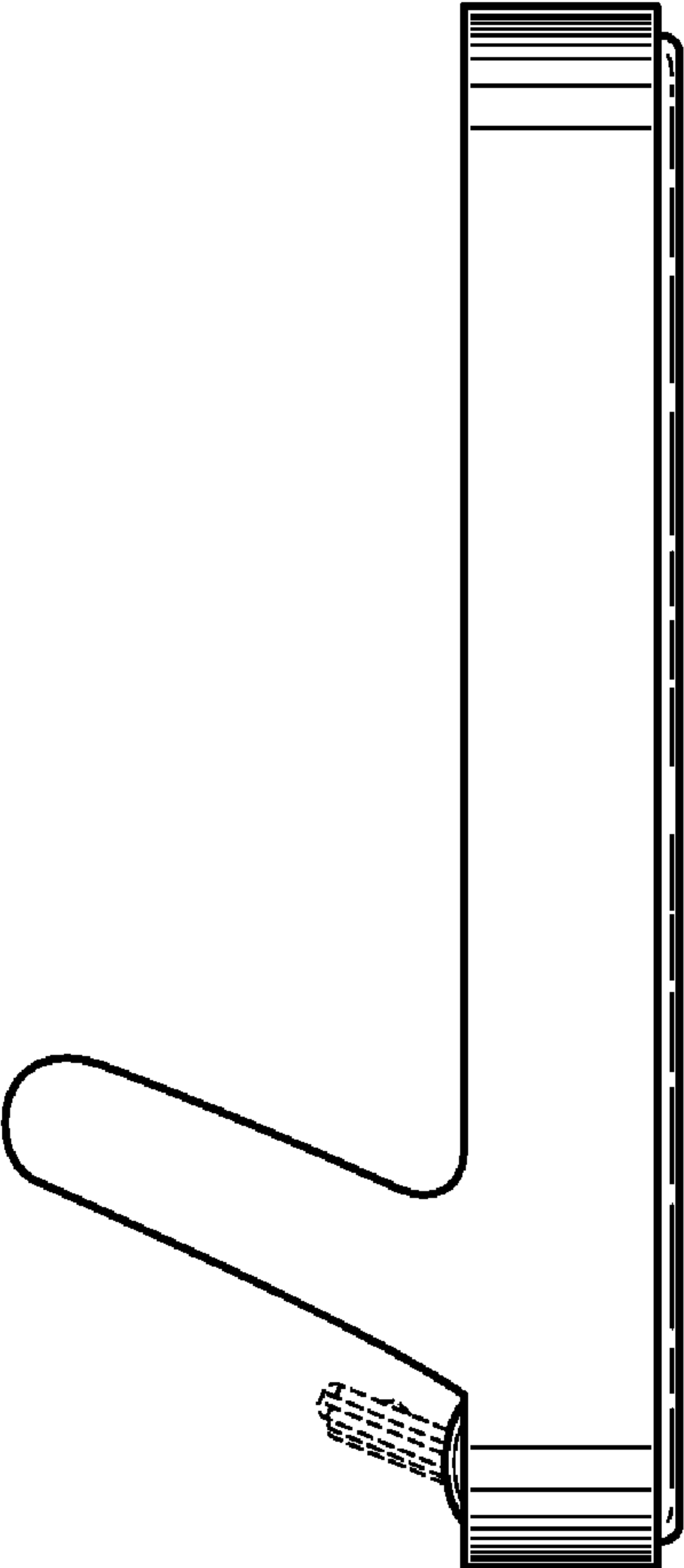
**FIG. 7**



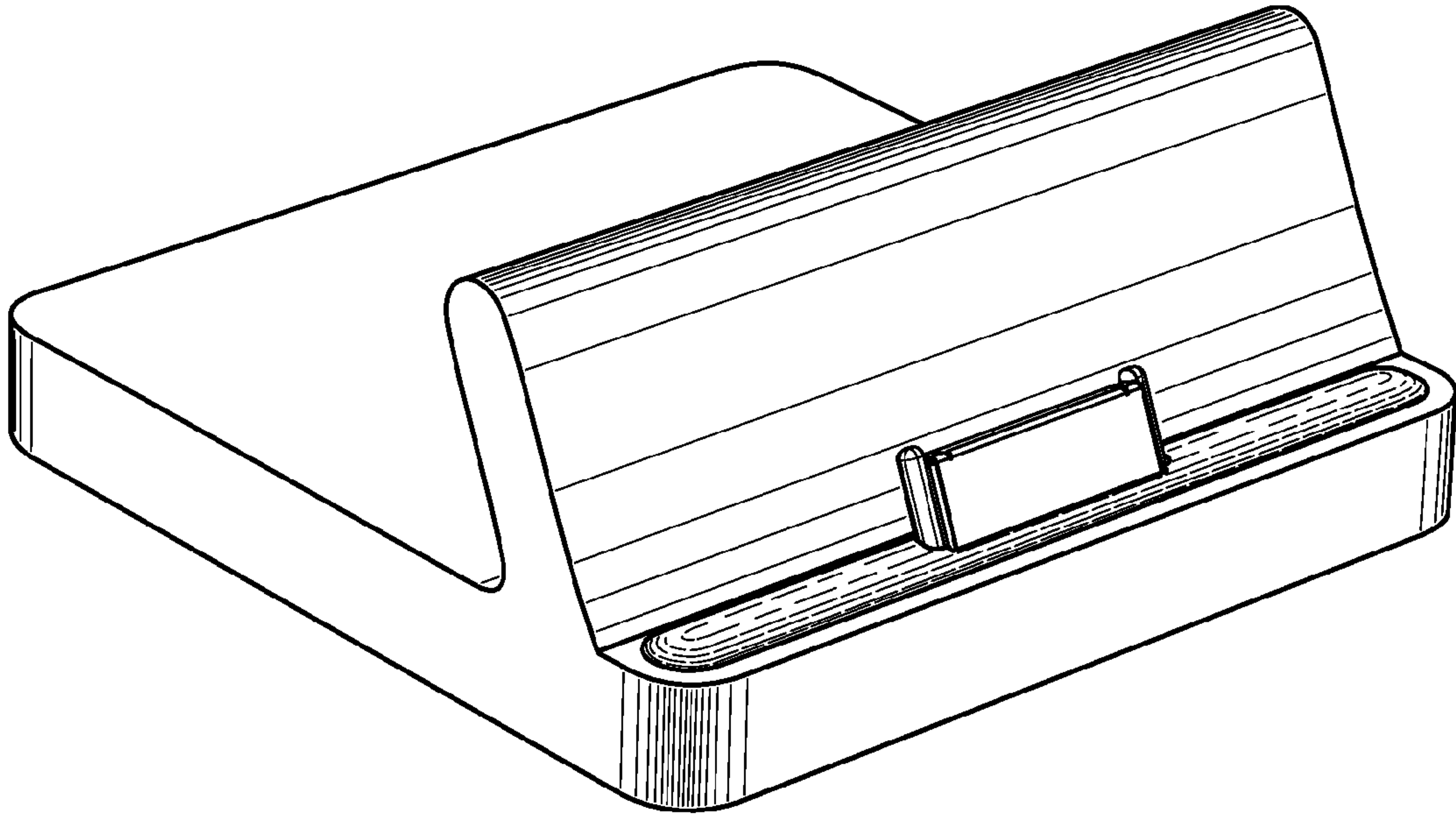
**FIG. 8**



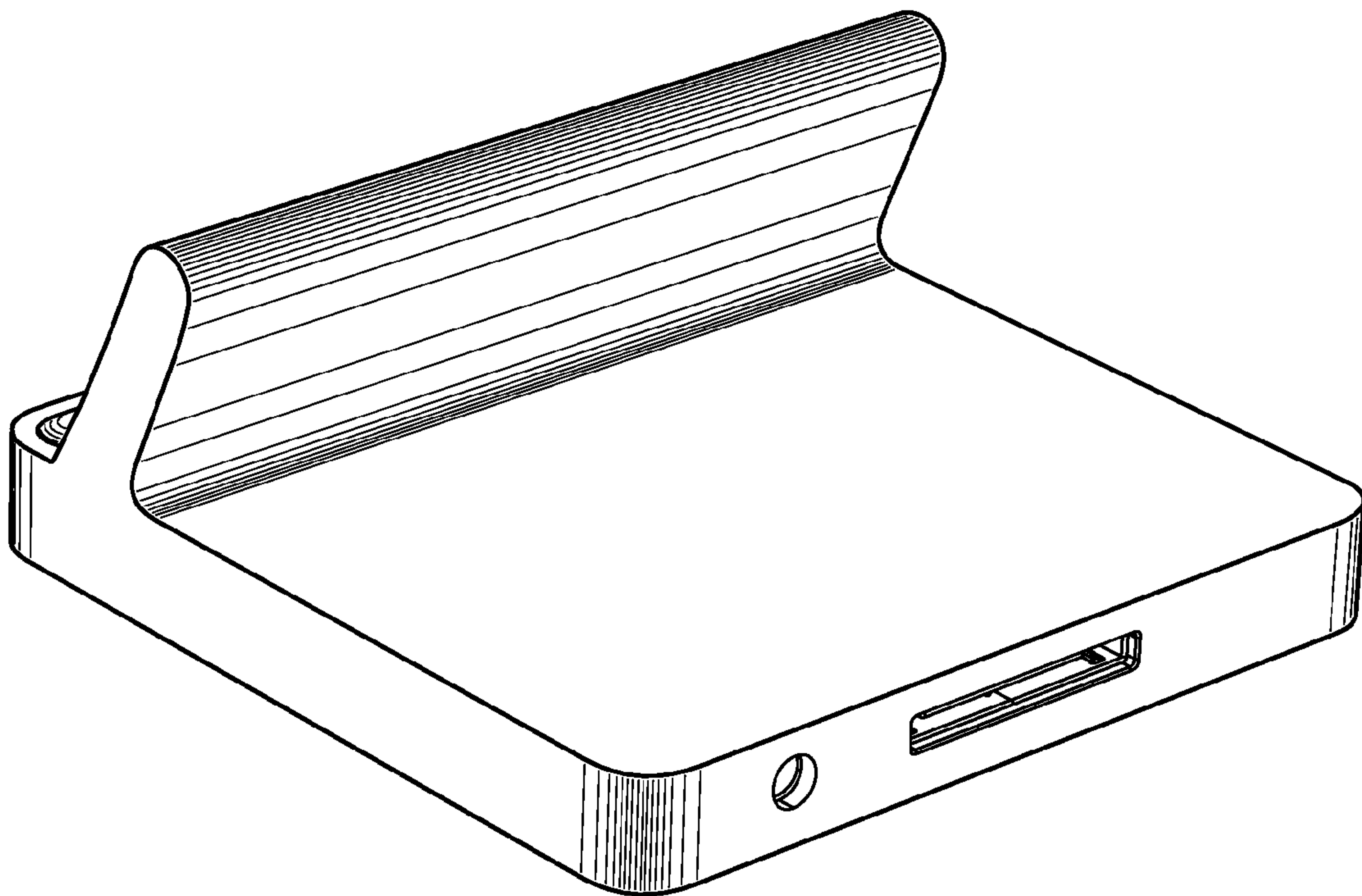
**FIG. 9**



**FIG. 10**

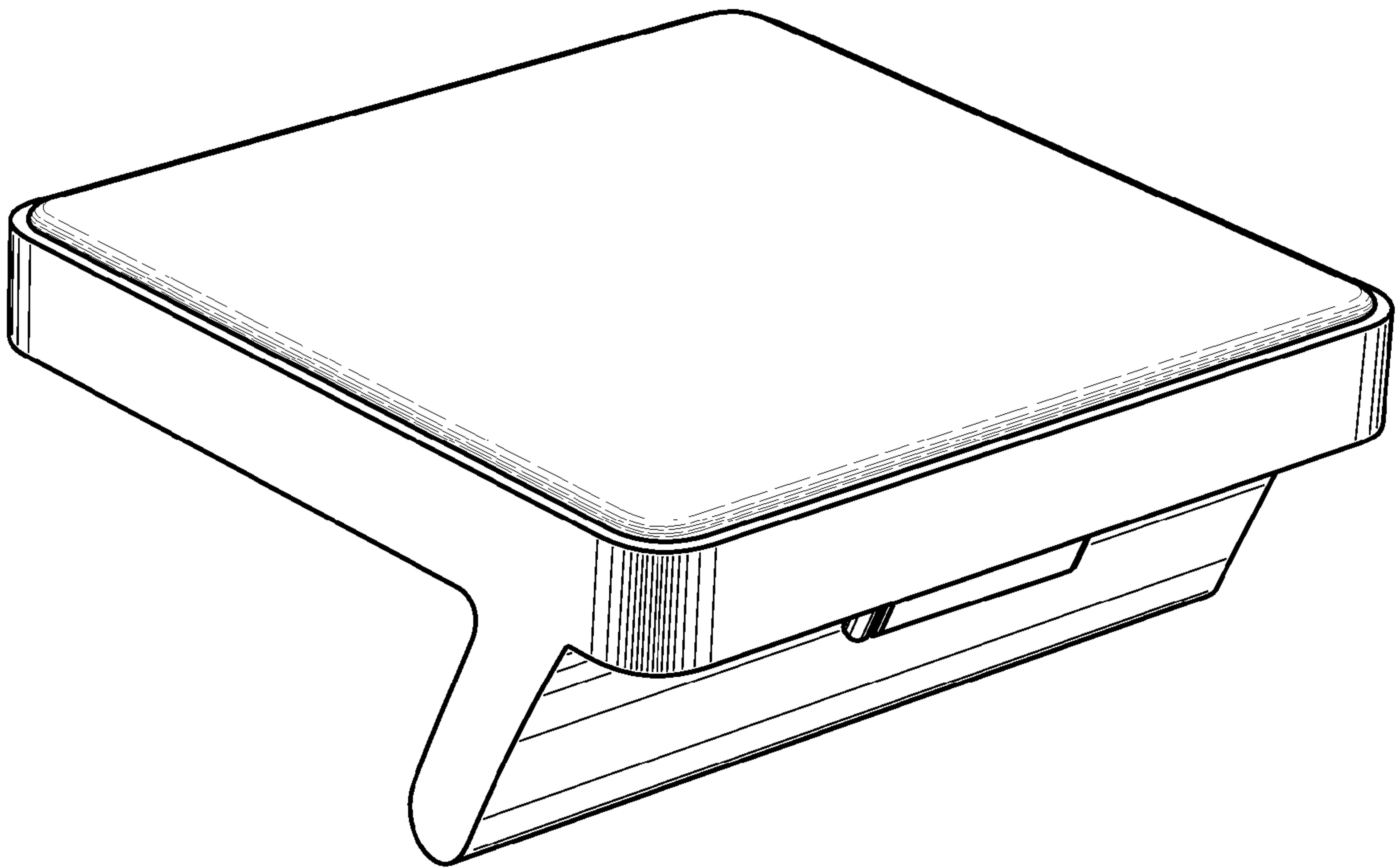


**FIG. 11**

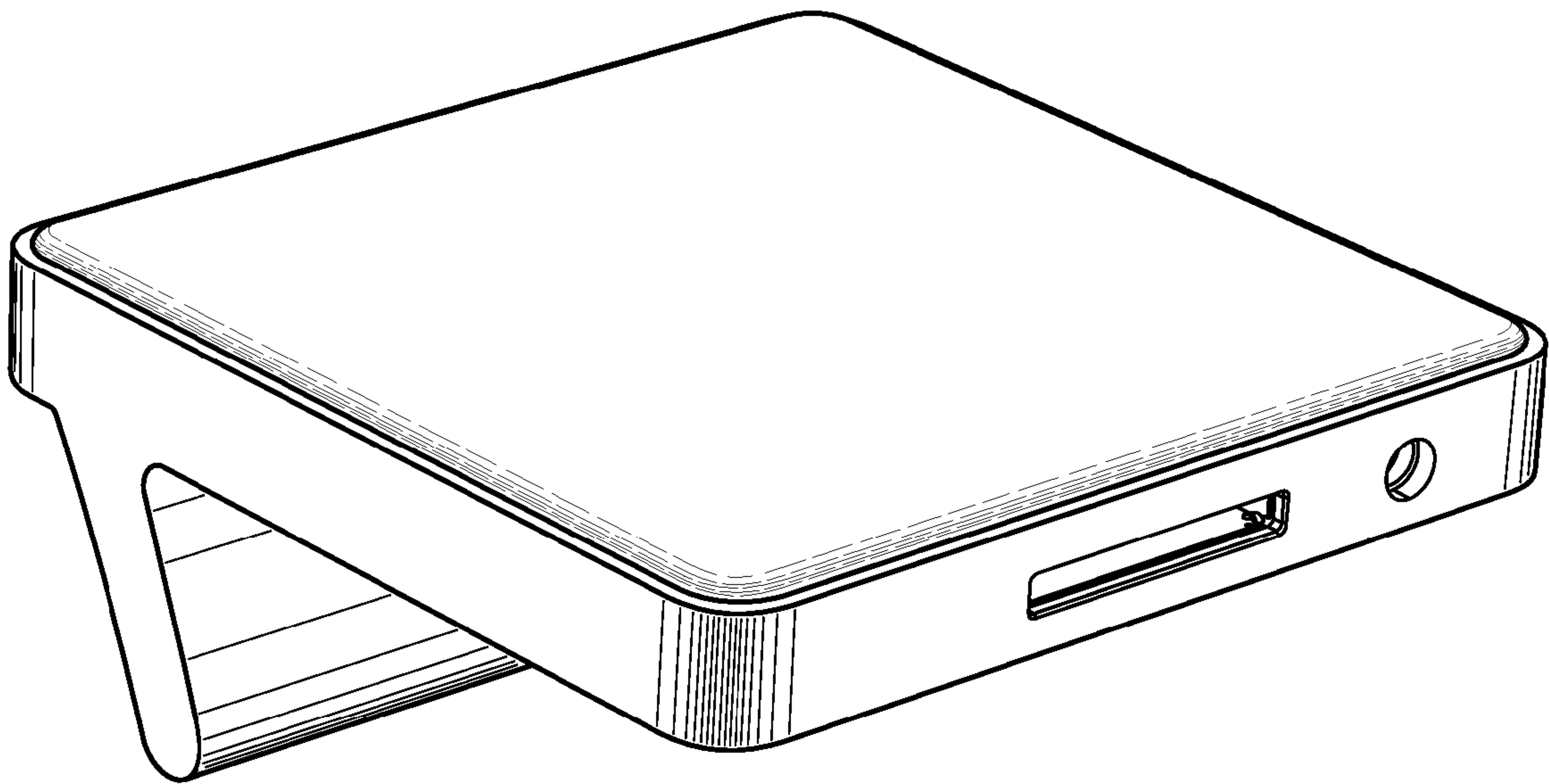


**FIG. 12**

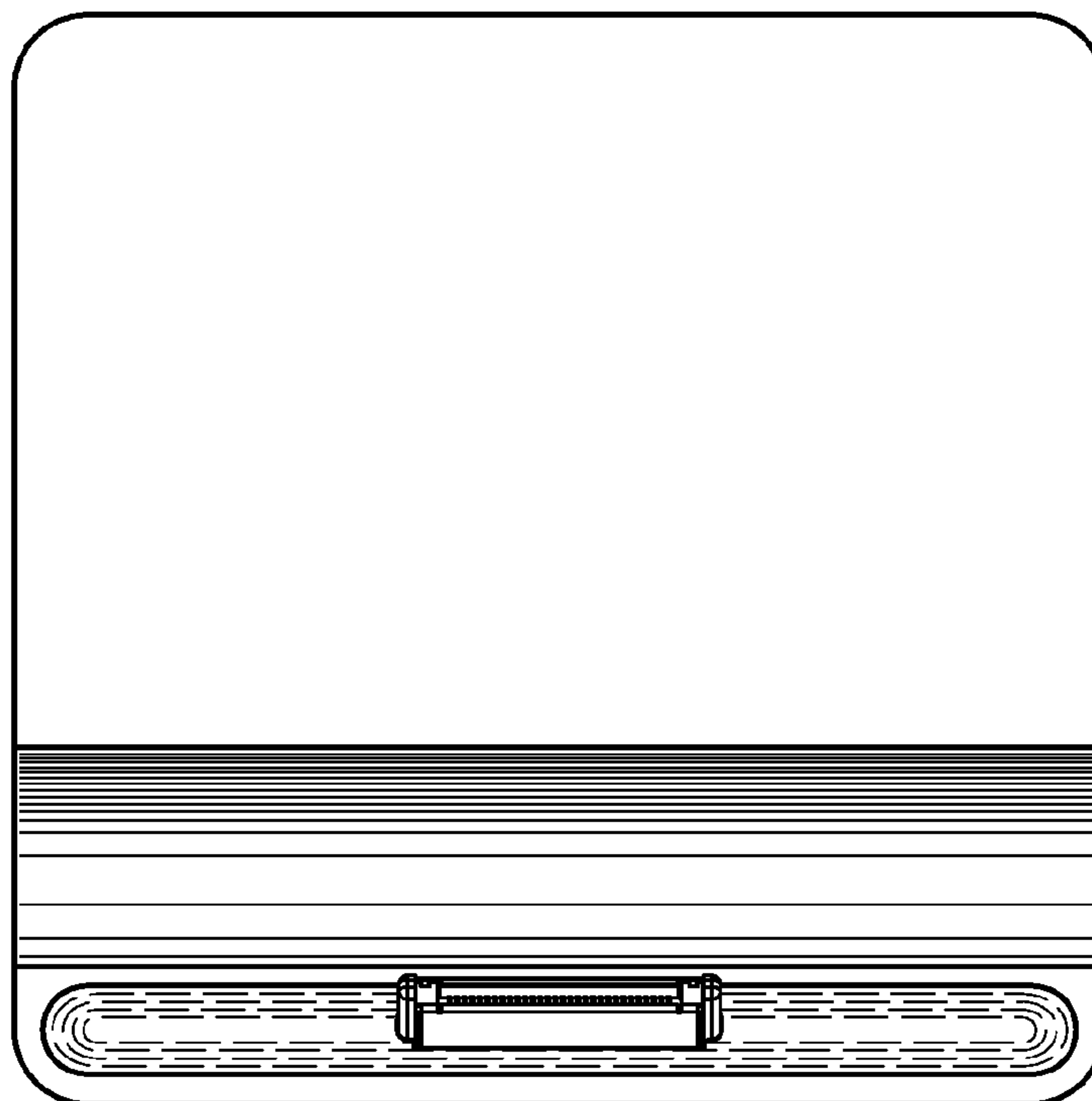




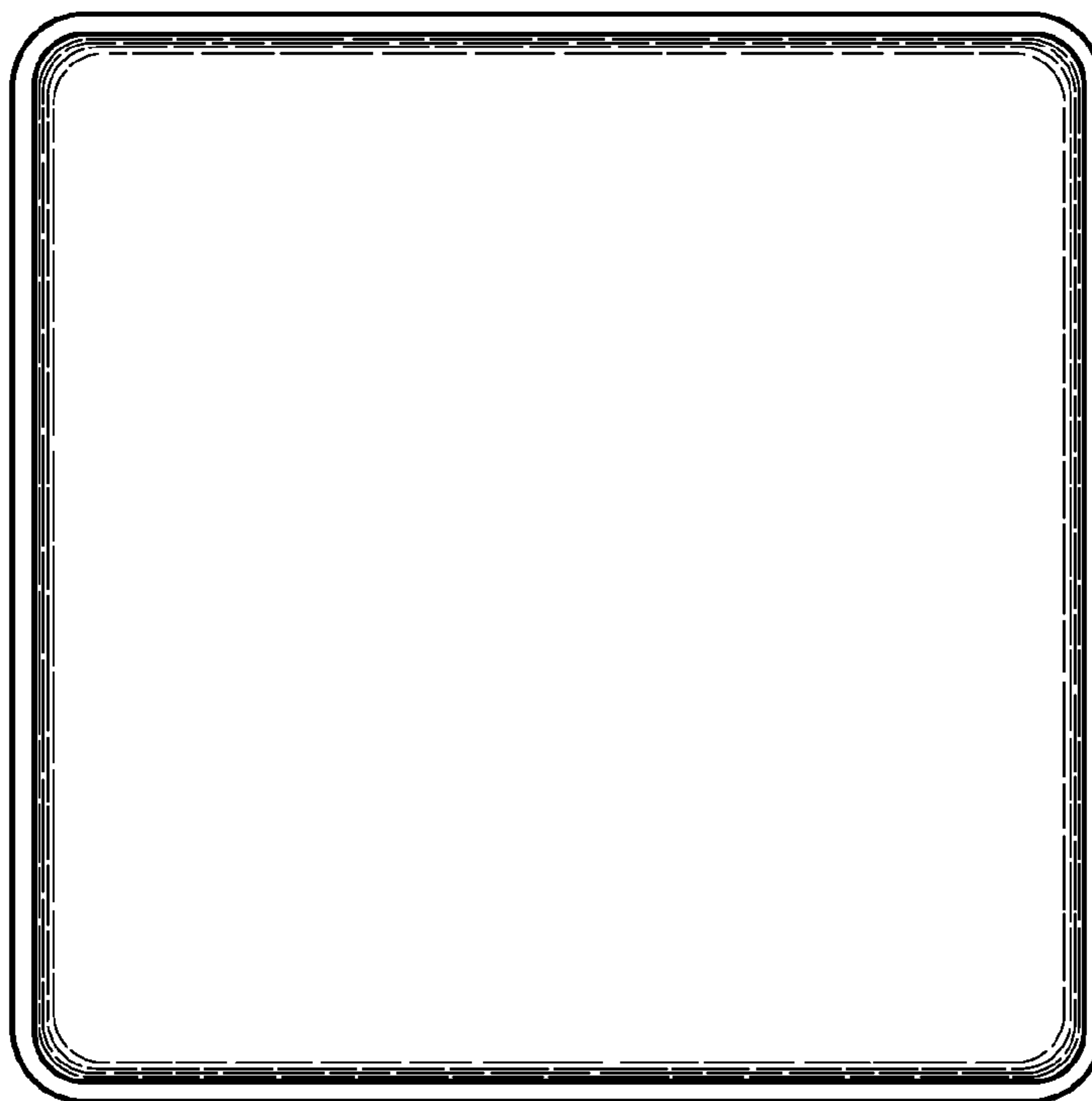
**FIG. 13**



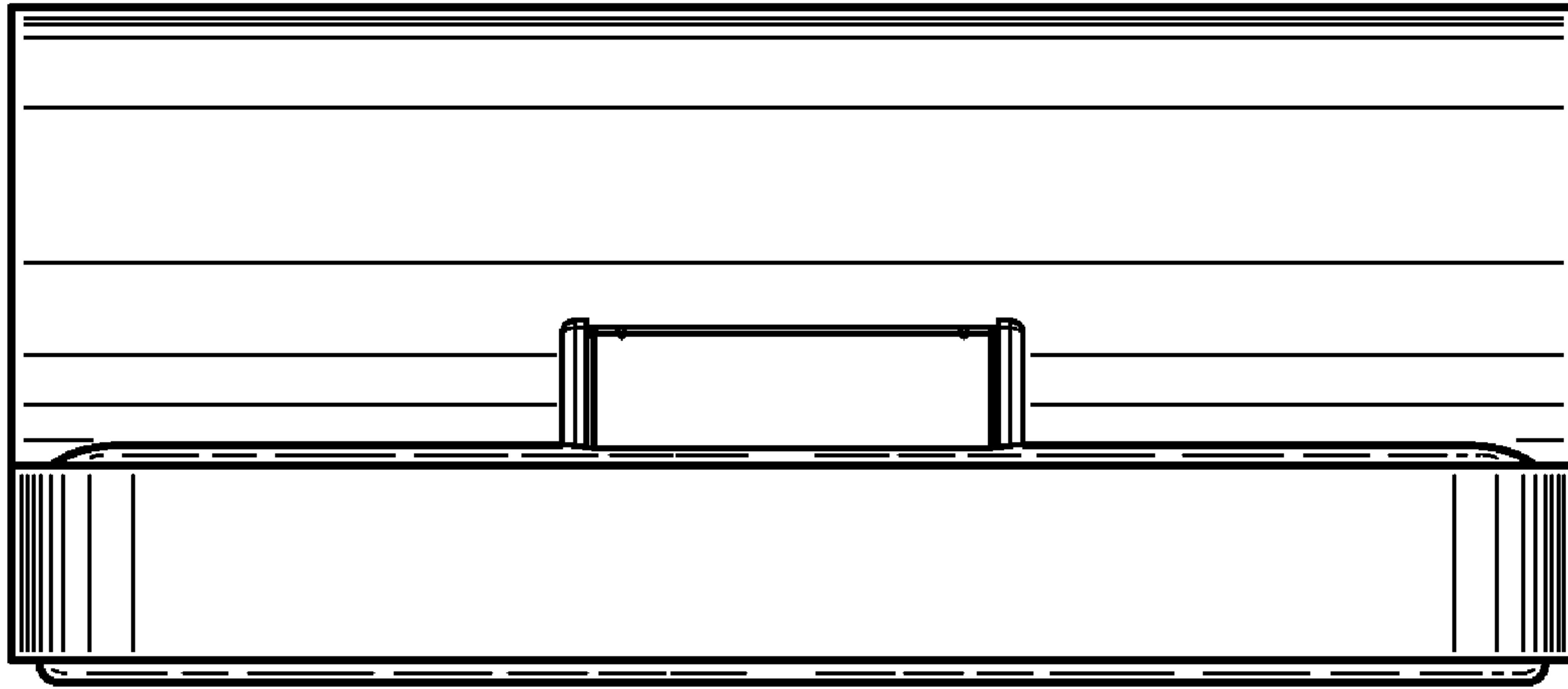
**FIG. 14**



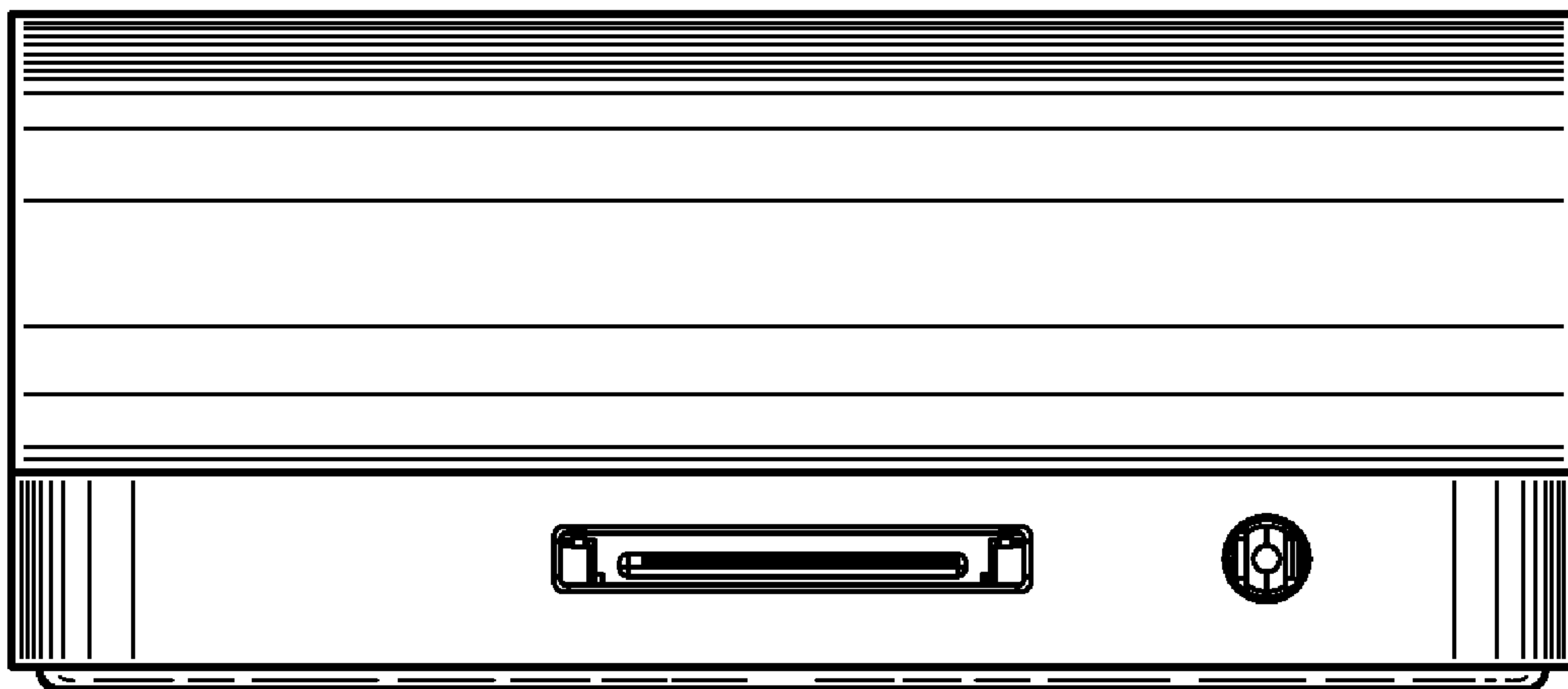
*FIG. 15*



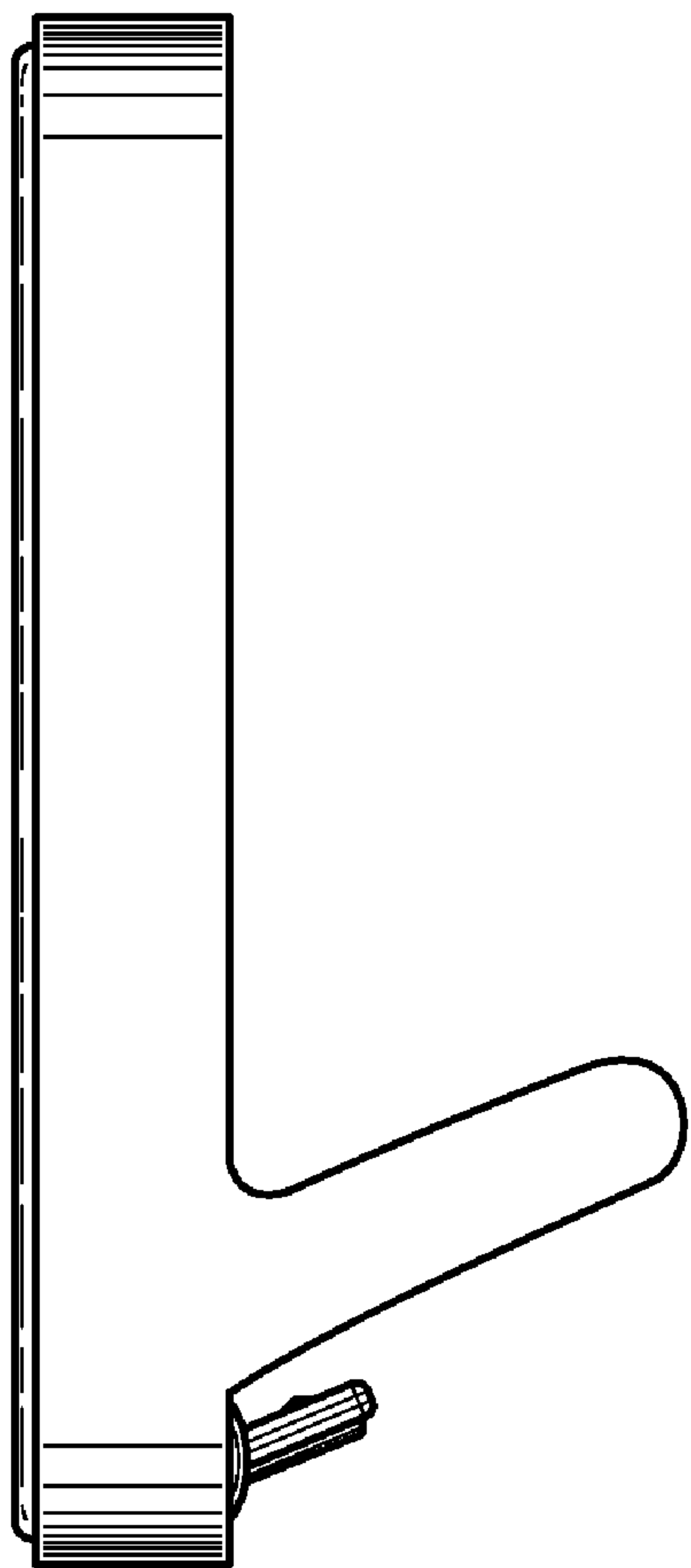
*FIG. 16*



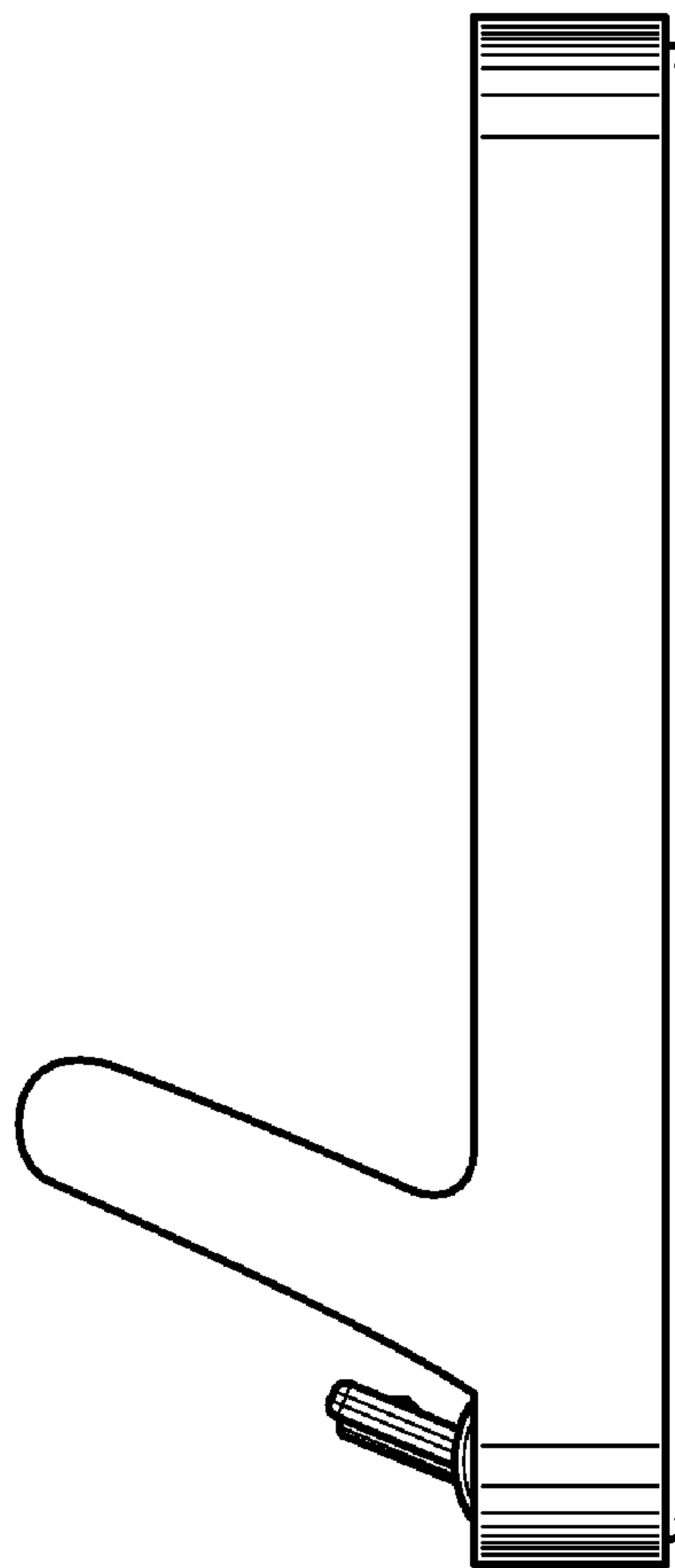
**FIG. 17**



**FIG. 18**



**FIG. 19**



**FIG. 20**