



US00D628561S

(12) **United States Design Patent**
Andre et al.

(10) **Patent No.:** **US D628,561 S**
(45) **Date of Patent:** **** Dec. 7, 2010**

(54) **DOCK INSERT**

(75) Inventors: **Bartley K. Andre**, Menlo Park, CA (US); **Daniel J. Coster**, San Francisco, CA (US); **Daniele De Iuliis**, San Francisco, CA (US); **Richard P. Howarth**, San Francisco, CA (US); **Jonathan P. Ive**, San Francisco, CA (US); **Duncan Robert Kerr**, San Francisco, CA (US); **Shin Nishibori**, Portola Valley, CA (US); **Matthew Dean Rohrbach**, San Francisco, CA (US); **Douglas B. Satzger**, Menlo Park, CA (US); **Calvin Q. Seid**, Palo Alto, CA (US); **Christopher J. Stringer**, Woodside, CA (US); **Eugene Antony Whang**, San Francisco, CA (US); **Rico Zorkendorfer**, San Francisco, CA (US)

(73) Assignee: **Apple Inc.**, Cupertino, CA (US)

(**) Term: **14 Years**

(21) Appl. No.: **29/351,429**

(22) Filed: **Dec. 4, 2009**

Related U.S. Application Data

(60) Continuation of application No. 29/339,382, filed on Jun. 29, 2009, now Pat. No. Des. 606,518, which is a division of application No. 29/317,759, filed on May 6, 2008, now Pat. No. Des. 595,265, which is a continuation of application No. 29/282,543, filed on Jul. 23, 2007, now Pat. No. Des. 568,297, which is a continuation of application No. 29/237,097, filed on Aug. 24, 2005, now Pat. No. Des. 552,085, which is a continuation of application No. 29/237,111, filed on Aug. 24, 2005, now Pat. No. Des. 551,212, which is a continuation of application No. 29/237,112, filed on Aug. 24, 2005, now Pat. No. Des. 551,213.

(51) **LOC (9) Cl.** **14-03**

(52) **U.S. Cl.** **D14/217**

(58) **Field of Classification Search** D14/142, D14/149, 155, 157, 188, 191-193, 230.1-203.8, D14/251, 253, 432-435.1, 447, 451, 496, D14/474, 480.1-480.7; D13/107, 108, 118; D3/218; 248/221.11, 309.1; 320/107, 110, 320/113-115; 361/600; 439/529, 534; 455/556.1-556.2, 455/557

See application file for complete search history.

(56) **References Cited**

U.S. PATENT DOCUMENTS

D328,277 S 7/1992 Leman et al.

(Continued)

OTHER PUBLICATIONS

“AdaptexHub for Notebooks”, http://www.everythingusb.com/hardware/index/Adaptex_xHub_for_Notebooks.htm, downloaded Nov. 22, 2005.

(Continued)

Primary Examiner—Stella M Reid

Assistant Examiner—Keli L Hill

(74) *Attorney, Agent, or Firm*—Sterne, Kessler, Goldstein & Fox PLLC

(57) **CLAIM**

The ornamental design for a dock insert, as shown and described.

DESCRIPTION

FIG. 1 is a top perspective view of a dock insert showing our new design;

FIG. 2 is a bottom perspective view thereof;

FIG. 3 is a top view thereof;

FIG. 4 is a bottom view thereof;

FIG. 5 is a rear view thereof;

FIG. 6 is a right view thereof;

FIG. 7 is a front view thereof;

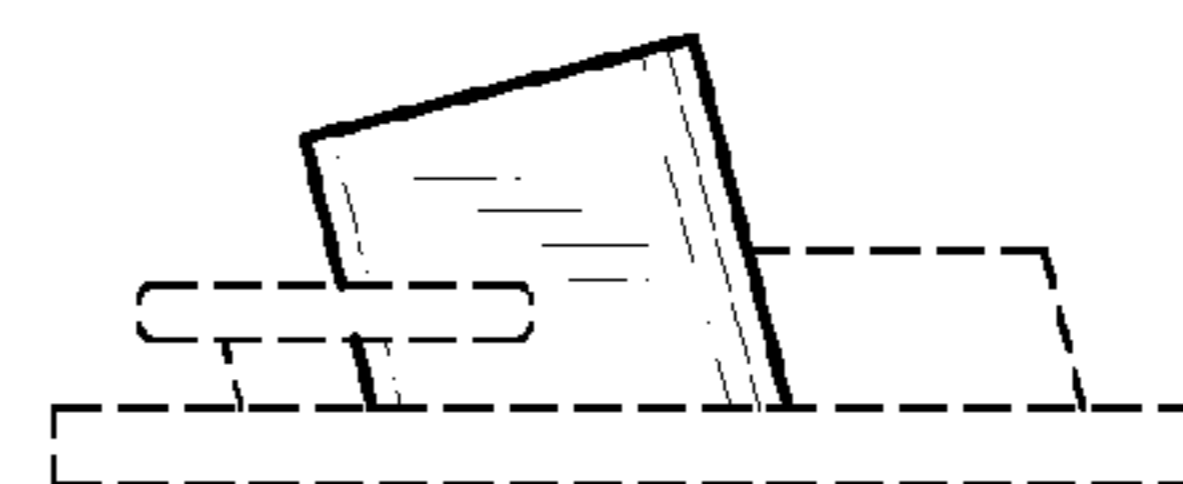
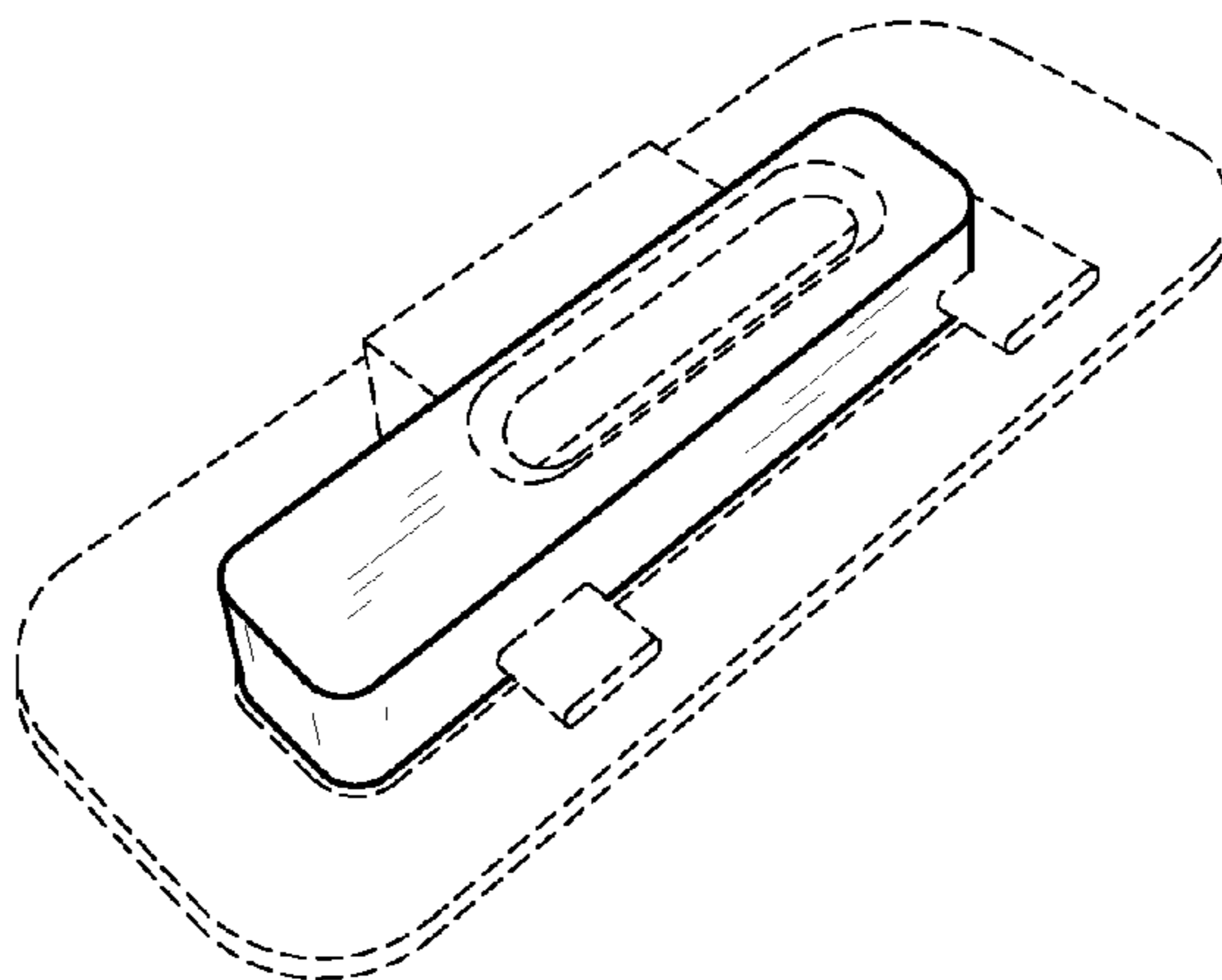
FIG. 8 is a left view thereof;

FIG. 9 is a perspective view showing the dock insert of FIG. 1 in an environment of use; and,

FIG. 10 is a top view showing the dock insert of FIG. 1 in an environment of use.

The broken lines in the Figures show portions of the dock insert which form no part of the claimed design.

1 Claim, 3 Drawing Sheets



U.S. PATENT DOCUMENTS

D336,631	S	6/1993	Ivester	D532,005	S	11/2006	Leith
5,233,281	A	8/1993	Chiang et al.	D534,066	S	12/2006	Arkins
5,280,229	A	1/1994	Faude et al.	7,145,603	B2	12/2006	Whitby et al.
D350,330	S	9/1994	Petersom	D535,614	S	1/2007	Majanen et al.
D358,821	S	5/1995	Hellier et al.	D537,925	S	3/2007	Mahon
D361,069	S	8/1995	Hellier et al.	D540,327	S	4/2007	Wong et al.
D374,858	S	10/1996	Chu	D544,899	S	6/2007	Li et al.
5,600,225	A	2/1997	Goto	D551,212	S	9/2007	Andre et al.
5,602,458	A	2/1997	Dowe	D551,213	S	9/2007	Andre et al.
5,627,727	A	5/1997	Aguilera et al.	D551,214	S	9/2007	Hussaini et al.
D385,530	S	10/1997	Hames et al.	D551,658	S	9/2007	Hussaini et al.
D388,764	S	1/1998	Bartling et al.	D552,085	S	10/2007	Andre et al.
D390,824	S	2/1998	Foster et al.	D552,570	S	10/2007	Niitsu
5,742,149	A	4/1998	Simpson	D553,106	S	10/2007	Griffin
D397,996	S	9/1998	Smith	D558,207	S	12/2007	Ikeda et al.
D409,987	S	5/1999	Okumura	D558,208	S	12/2007	Ikeda et al.
D411,166	S	6/1999	Uemura et al.	D558,738	S	1/2008	Andre et al.
5,926,005	A	7/1999	Holcomb et al.	D558,739	S	1/2008	Andre et al.
5,952,814	A	9/1999	Van Lerberghe	D568,297	S	5/2008	Andre et al.
D416,536	S	11/1999	Ross et al.	D570,335	S	6/2008	Andre et al.
D419,160	S	1/2000	Davidson et al.	D575,275	S	8/2008	Andre et al.
6,042,414	A	3/2000	Kunert	D578,110	S	10/2008	Andre et al.
D422,556	S	4/2000	Okura et al.	D578,512	S	10/2008	Andre et al.
D439,908	S	4/2001	Gozani	D584,313	S	1/2009	Pittel et al.
D440,542	S	4/2001	Hawkins et al.	D595,265	S	6/2009	Andre et al.
D442,939	S	5/2001	Goldenburg	D595,266	S	6/2009	Andre et al.
D444,121	S	6/2001	Chun et al.	D596,161	S	7/2009	Andre et al.
D444,124	S	6/2001	Casey et al.	D597,079	S	7/2009	Andre et al.
6,307,348	B1	10/2001	Green	D599,783	S	9/2009	Andre et al.
D450,707	S	11/2001	Francavilla et al.	D605,174	S	* 12/2009	Andre et al. D14/217
D454,332	S	3/2002	Yokoyama	D605,633	S	* 12/2009	Andre et al. D14/217
D459,299	S	6/2002	Hughes et al.	D606,518	S	12/2009	Andre et al.
D461,476	S	8/2002	Evers et al.	D608,352	S	1/2010	Andre et al.
D463,361	S	9/2002	Ruohonen	2002/0103008	A1	8/2002	Rahn et al.
D466,122	S	11/2002	Moody	2003/0198015	A1	10/2003	Vogt
D468,305	S	1/2003	Ma et al.	2006/0250764	A1	11/2006	Howarth et al.
6,524,240	B1	2/2003	Thede	2007/0047198	A1	3/2007	Crooijmans
D472,900	S	4/2003	Matsumoto	2008/0164845	A1	7/2008	Choi
D477,823	S	7/2003	Lavello				
D487,897	S	3/2004	Huang et al.				
6,711,005	B2	3/2004	Martin				
D495,336	S	8/2004	Andre et al.				
6,798,647	B2	9/2004	Dickie				
6,813,528	B1	11/2004	Yang				
6,898,080	B2	5/2005	Yin et al.				
D509,790	S	9/2005	Sakai				
D510,091	S	9/2005	Mori et al.				
D520,945	S	5/2006	Hayamizu				
D520,946	S	5/2006	Nasu				
D525,616	S	7/2006	Andre et al.				
7,075,579	B2	7/2006	Whitby et al.				
D526,321	S	8/2006	Hayes et al.				
D530,717	S	10/2006	Mori et al.				

OTHER PUBLICATIONS

“Atech Flash Technology Iduo Ipod Dock and card Reader”, www.thegadgeteer.com, downloaded Nov. 21, 2005.
 “Belkin Hi-Speed USB 2.07_Port Hub”, http://www.everythingusb.com/hardware/index/Belkin_Hi-Speed_USB_2.0_7-Port_Hub..., downloaded Nov. 22, 2005.
 “Belkin’s Top loading USB Hub for iPod shuffle”, http://www.everythingusb.com/belkin_hispeed_usb_2.0_4-port_hub.html, downloaded Nov. 22, 2005.
 “BookEndz Home Page” downloaded Apr. 11, 2003, www.bookendzdocks.com/bookendz/index.htm.
 “iPod Dock Cradle”, downloaded Apr. 11, 2003, www.bookendzdocks.com/bookendz/dock_cradle.htm.
 U.S. Appl. No. 29/340,843, filed Jul. 27, 2009, entitled “Dock Insert”.

* cited by examiner

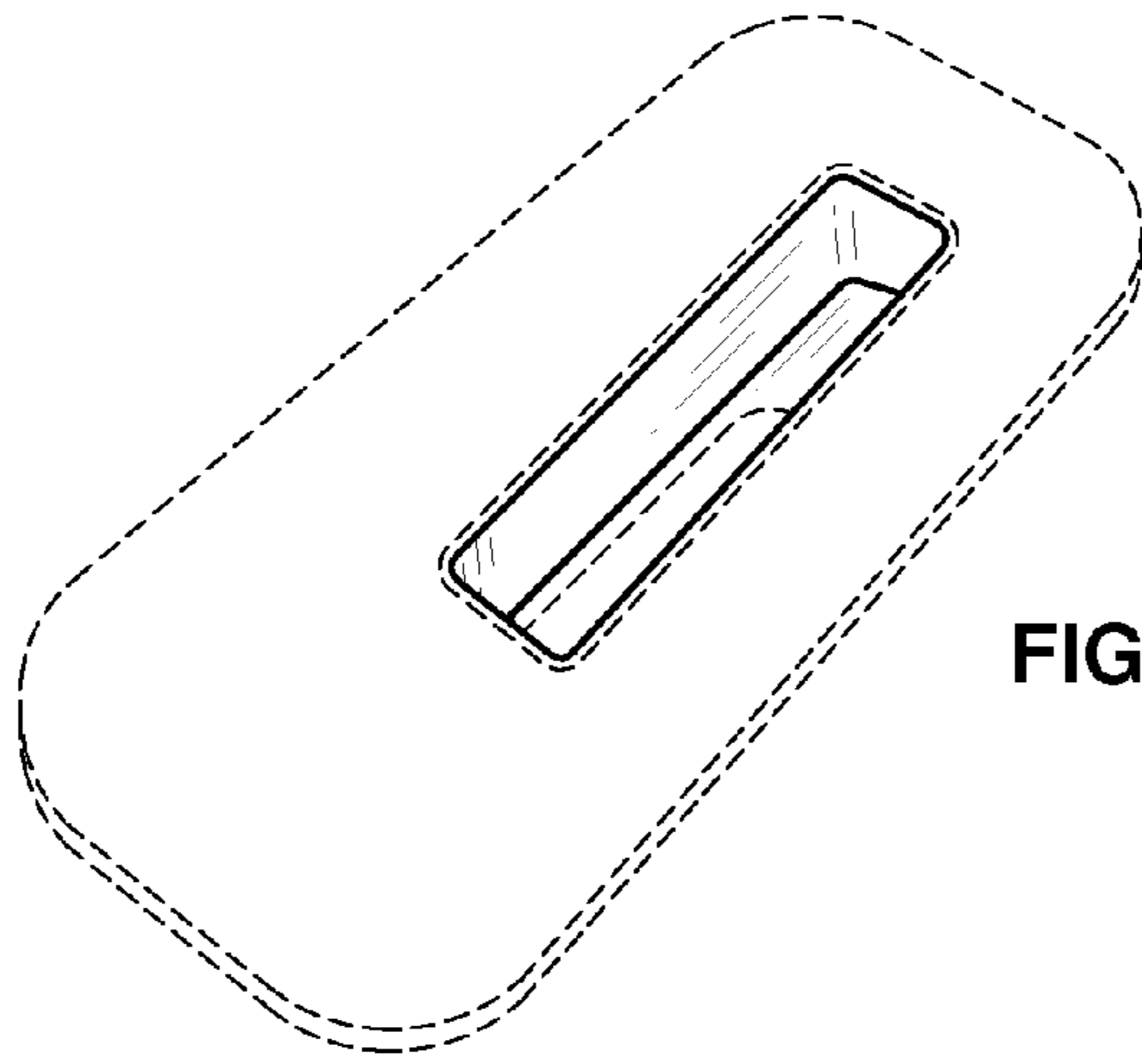


FIG. 1

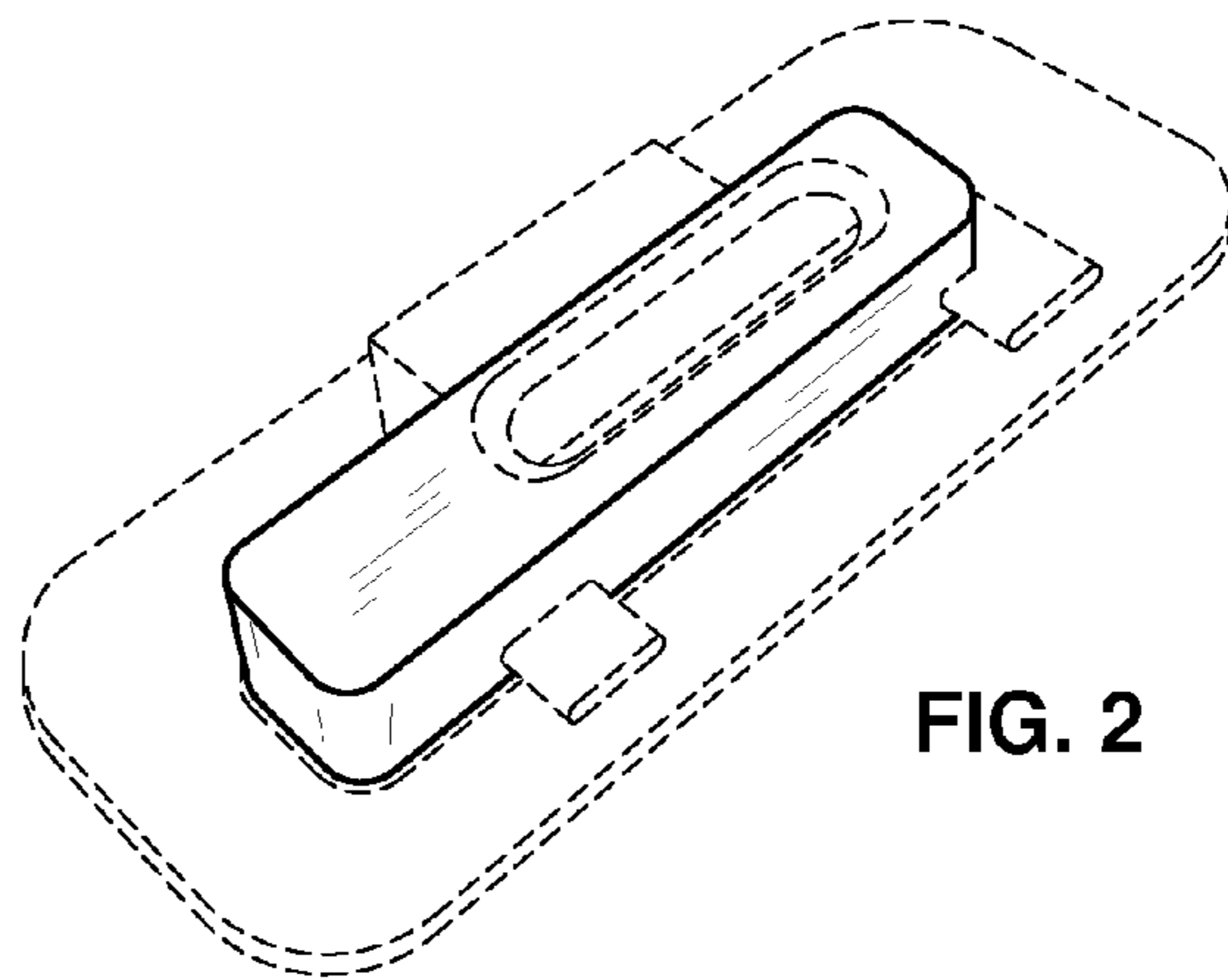


FIG. 2

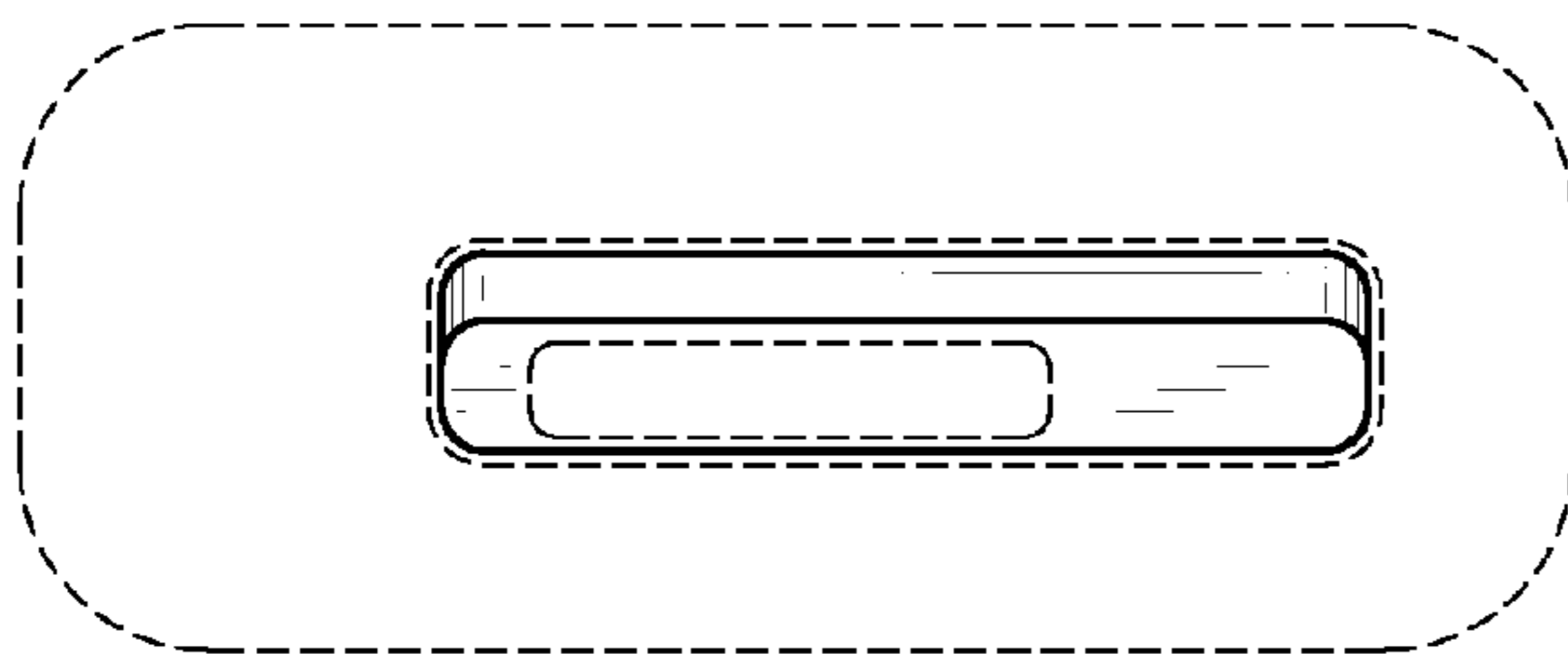
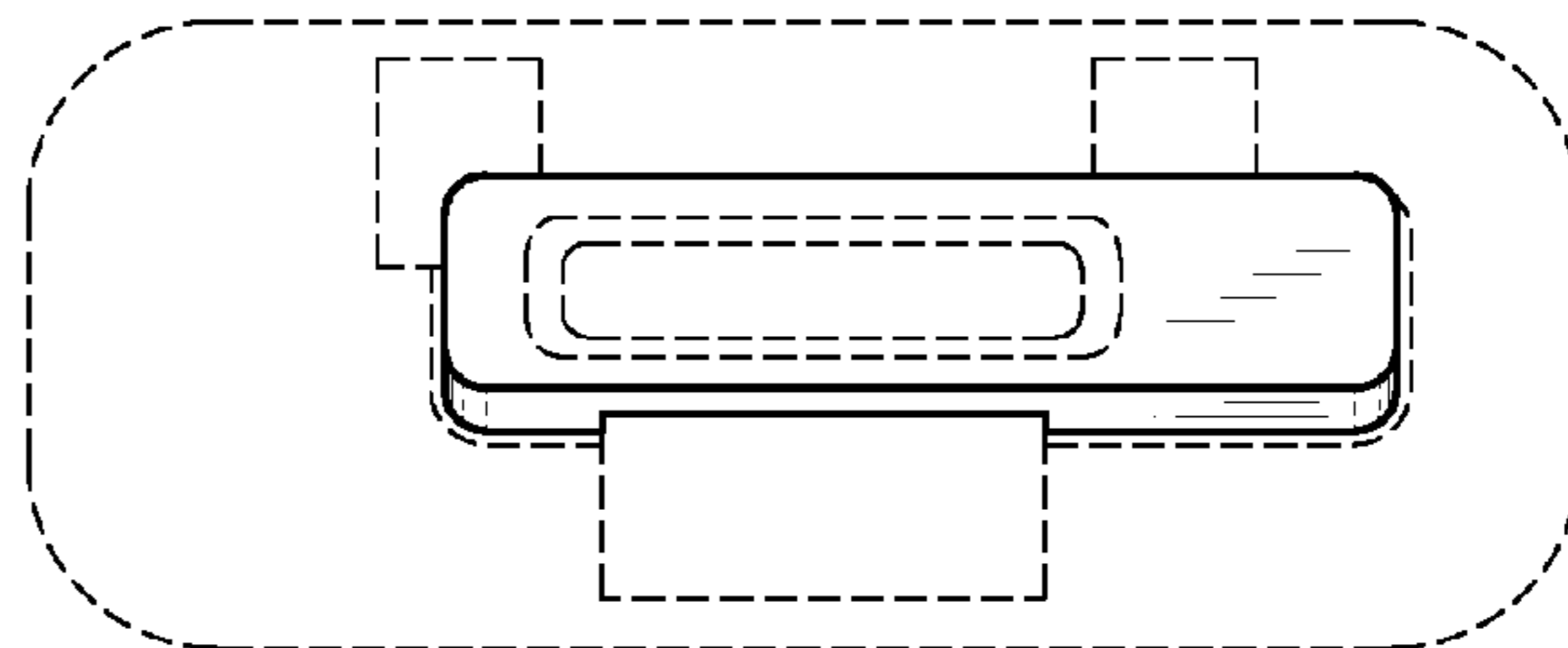


FIG. 3

FIG. 4



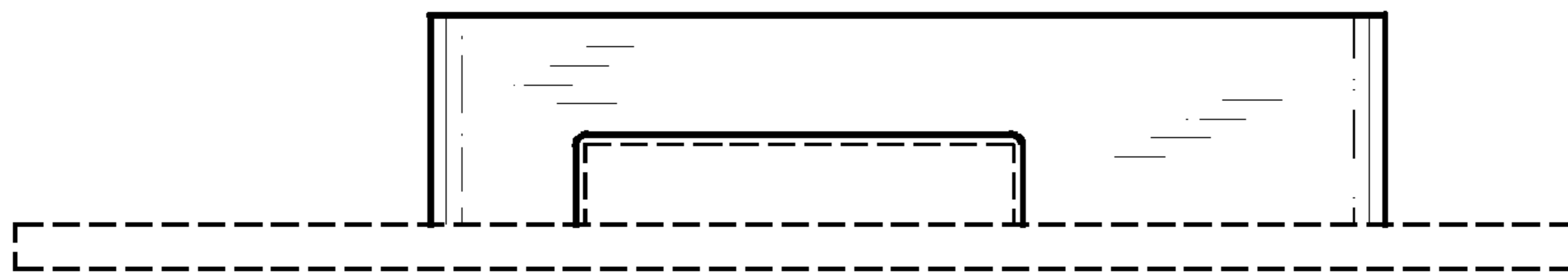


FIG. 5

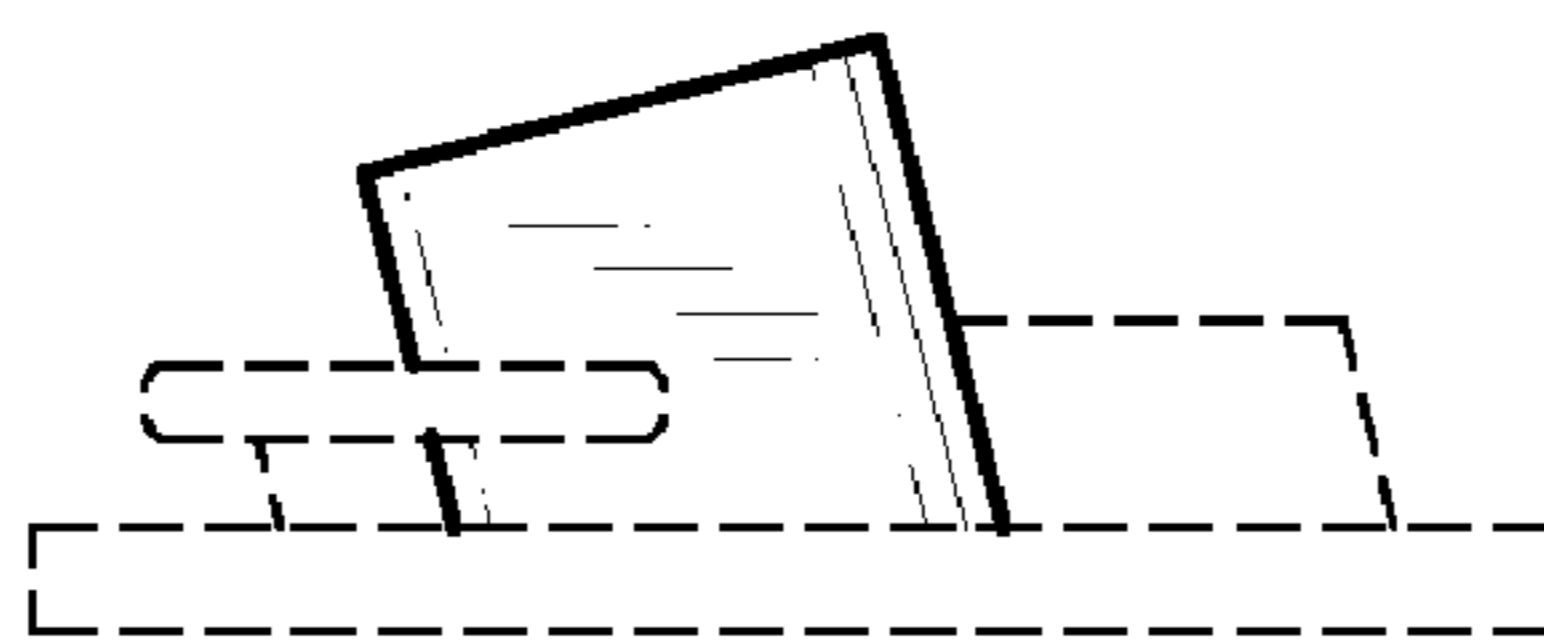


FIG. 6

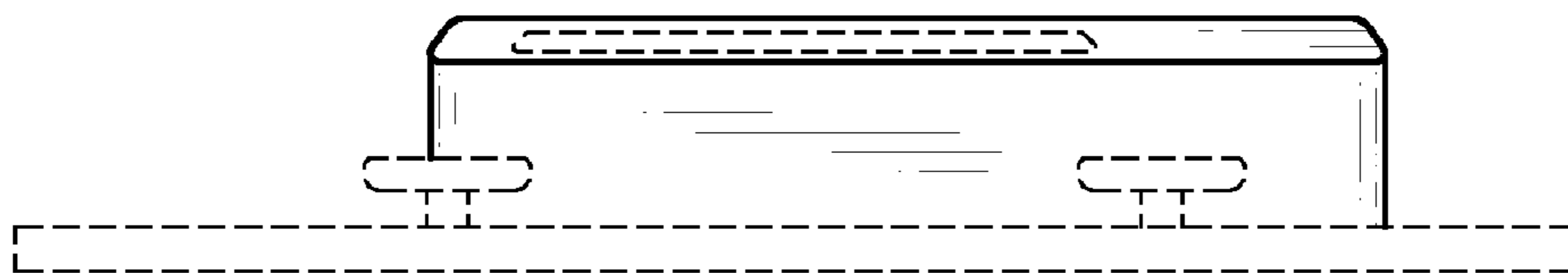


FIG. 7

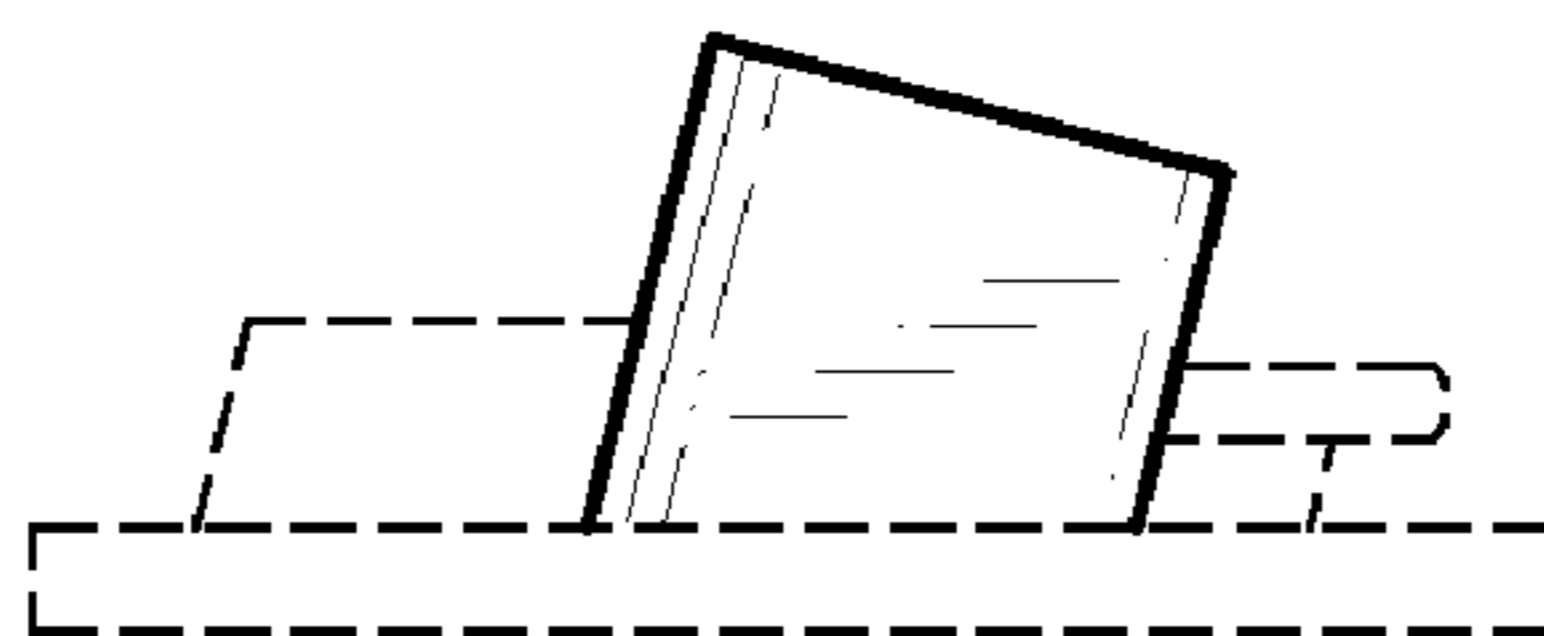


FIG. 8

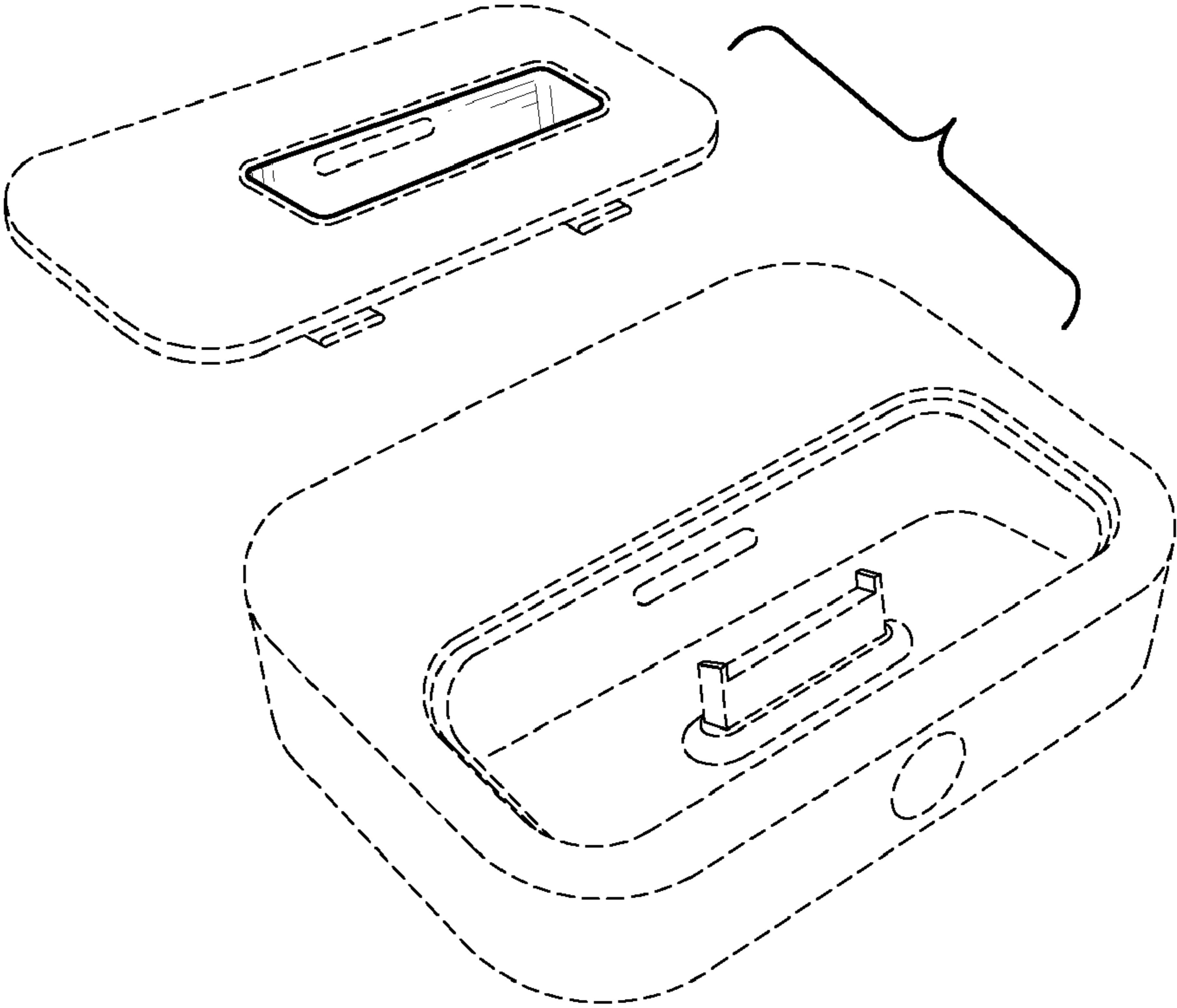


FIG. 9

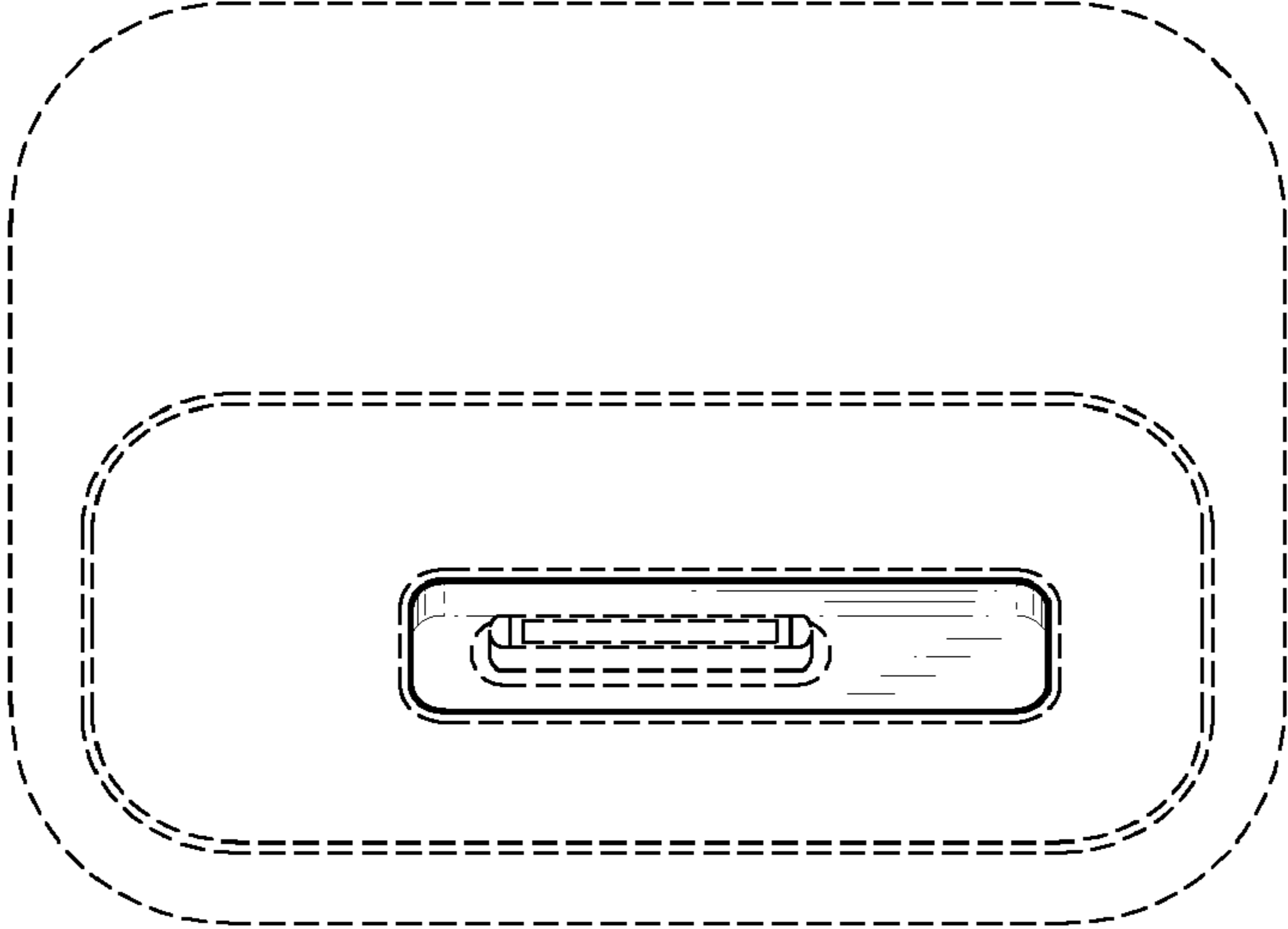


FIG. 10