



US00D628558S

(12) **United States Design Patent**
Vercelli et al.

(10) **Patent No.:** **US D628,558 S**

(45) **Date of Patent:** **** Dec. 7, 2010**

(54) **LOUDSPEAKER**

(76) Inventors: **Marcelo Vercelli**, 17036 NE. 179th St.,
Woodinville, WA (US) 98072; **Petr**
Stolz, 107 Camarvon St., NSW 2128
Silverwater (AU)

(**) Term: **14 Years**

(21) Appl. No.: **29/340,746**

(22) Filed: **Jul. 24, 2009**

(51) **LOC (9) Cl.** **14-01**

(52) **U.S. Cl.** **D14/215**

(58) **Field of Classification Search** D14/204,
D14/210–216, 172, 496; 181/143–144, 147–148,
181/150–153, 157, 198–199; 381/300–303,
381/306, 332–333, 336, 345, 361–364, 386–388
See application file for complete search history.

(56) **References Cited**

U.S. PATENT DOCUMENTS

4,221,929	A *	9/1980	Fukuda	381/386
D271,967	S *	12/1983	Meyer et al.	D14/214
D439,239	S *	3/2001	Ito et al.	D14/215
D452,964	S *	1/2002	Vosse	D14/204
D521,494	S *	5/2006	Koskinen et al.	D14/214
D544,466	S *	6/2007	Pincek et al.	D14/214

* cited by examiner

Primary Examiner—Nanda Bondade

(74) *Attorney, Agent, or Firm*—EON Law; Adam L. K. Philipp

(57) **CLAIM**

The ornamental design for a loudspeaker, as shown and described.

DESCRIPTION

FIG. 1 is a front perspective of a loudspeaker showing my new design.

FIG. 2 is a rear perspective view thereof.

FIG. 3 is a front view thereof.

FIG. 4 is a side view thereof.

FIG. 5 is a rear view thereof.

FIG. 6 is a top view thereof.

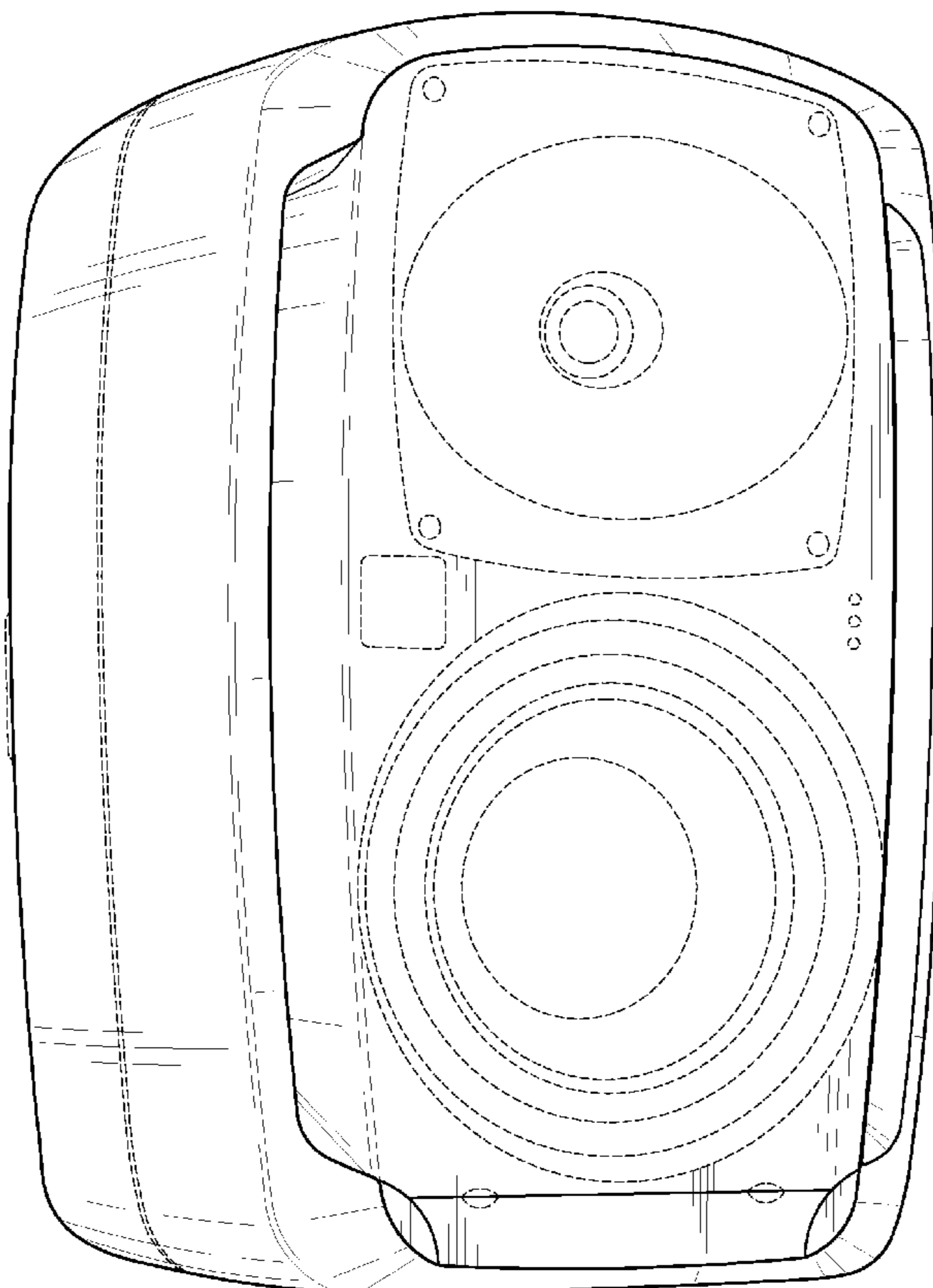
FIG. 7 is a bottom view thereof.

FIG. 8 is another front perspective thereof, showing an alternate position of a front control cover; and,

FIG. 9 is another front view thereof, showing an alternate position of the front control cover.

The broken line showing on the drawing disclosure is for illustrative purposes only and forms no part of the claimed design.

1 Claim, 8 Drawing Sheets



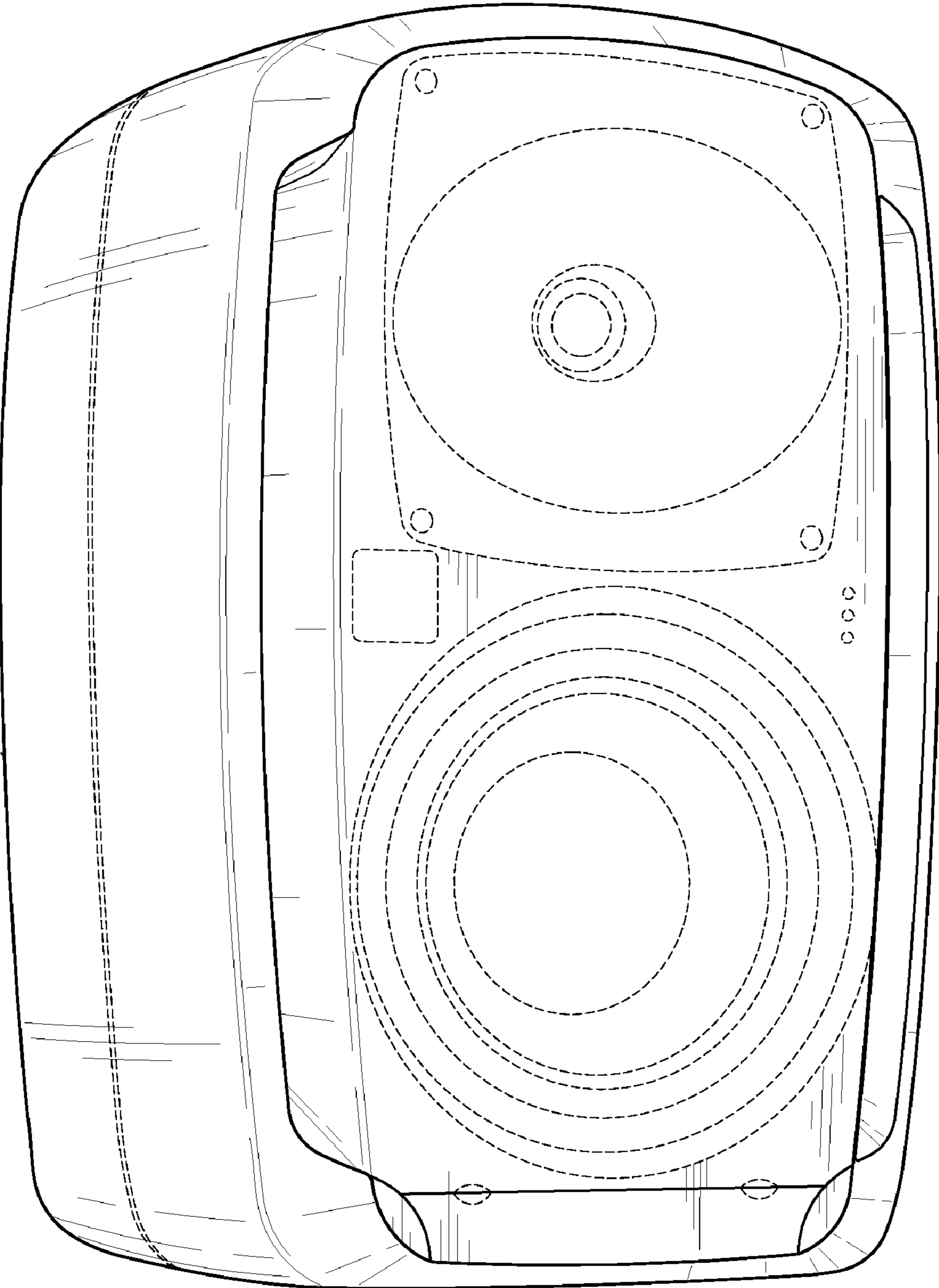


Fig. 1

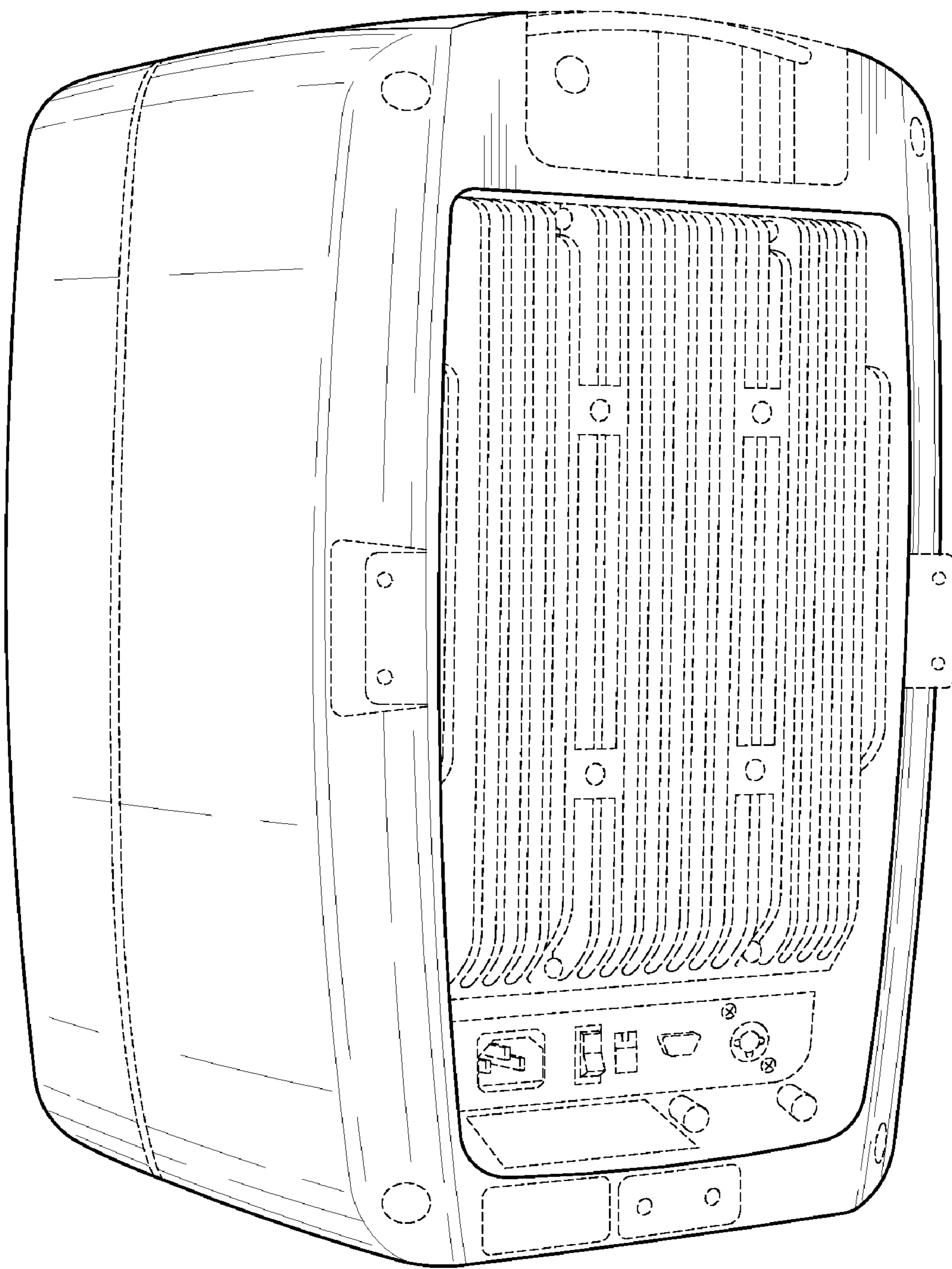


Fig. 2

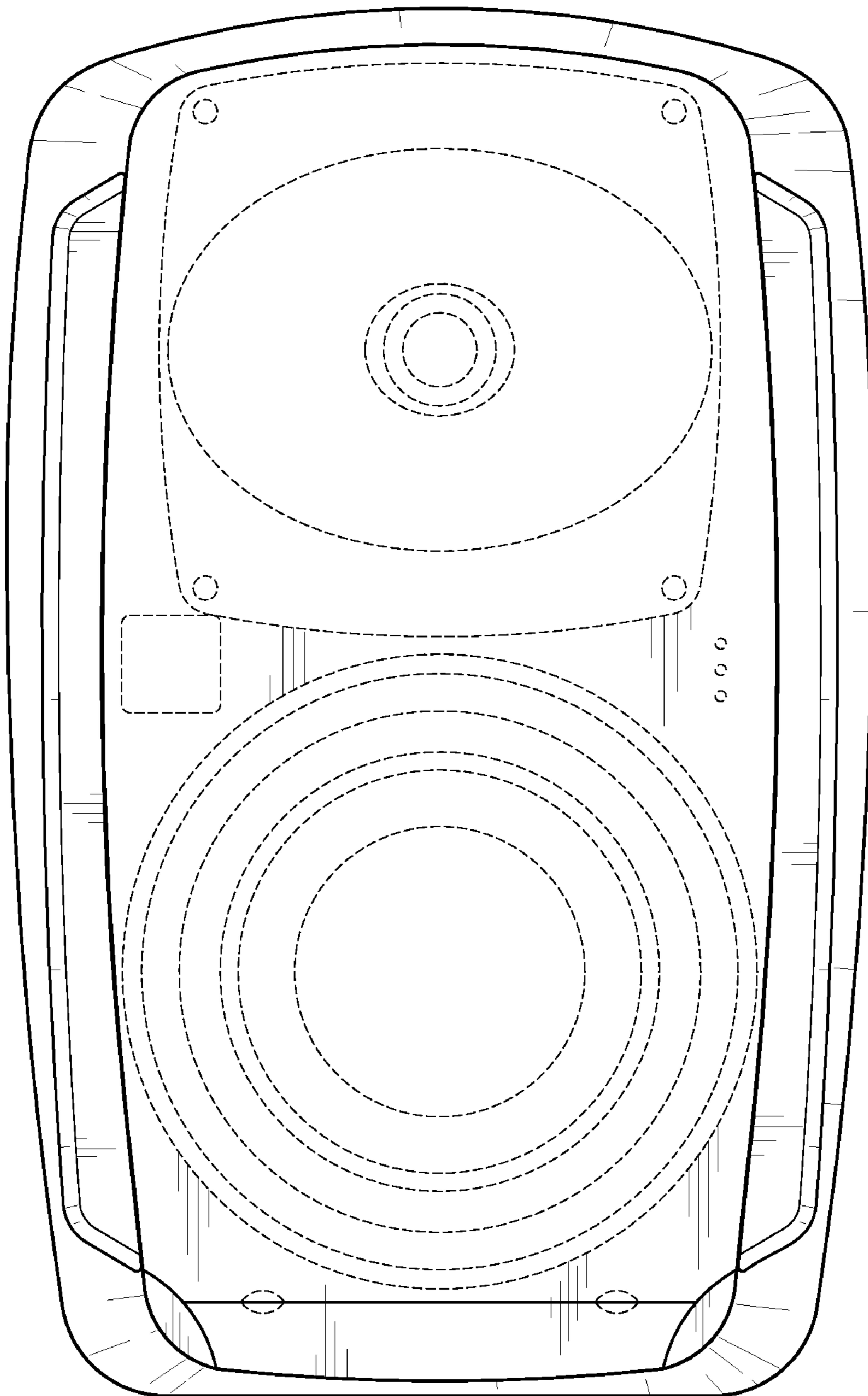


Fig. 3

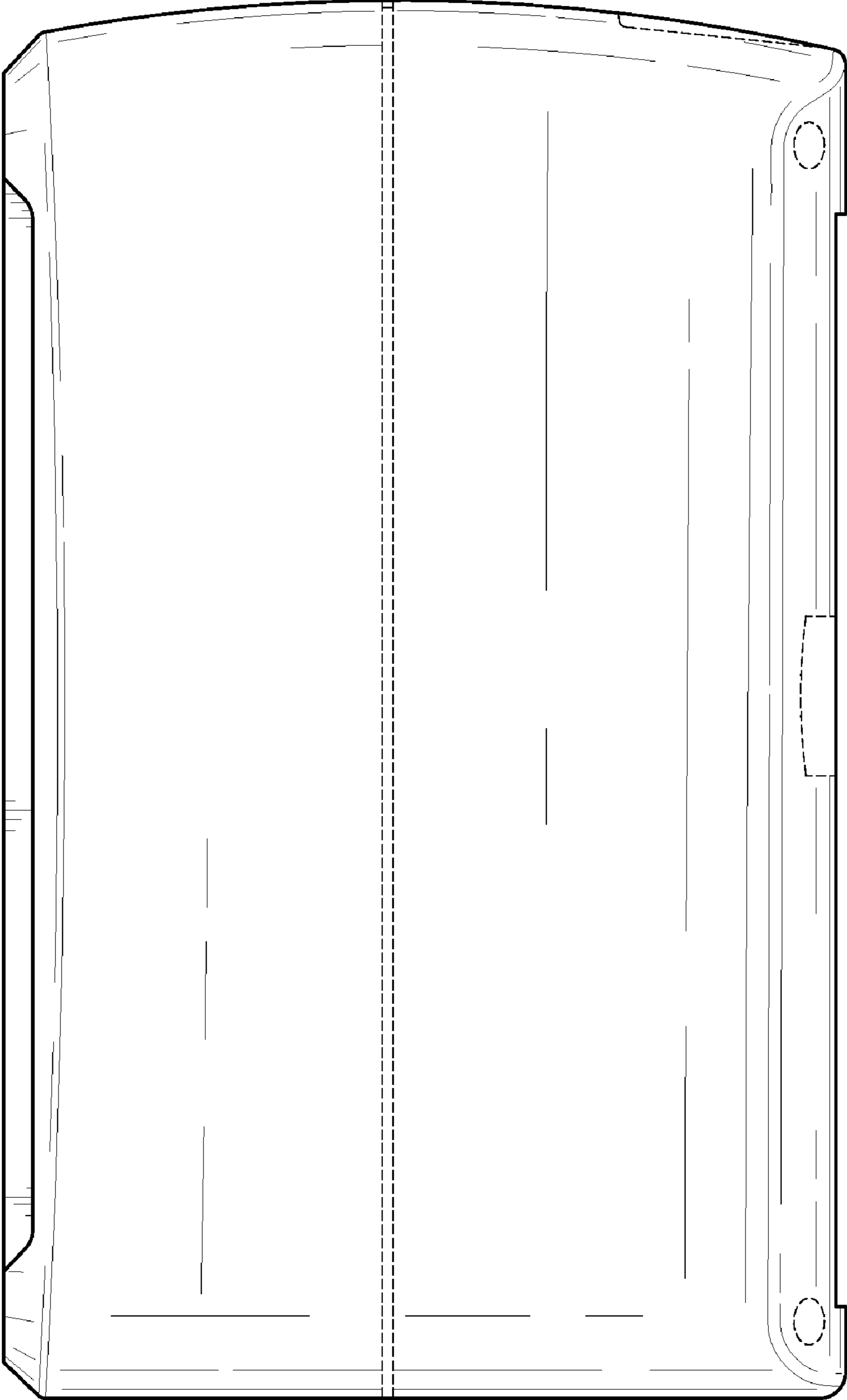


Fig. 4

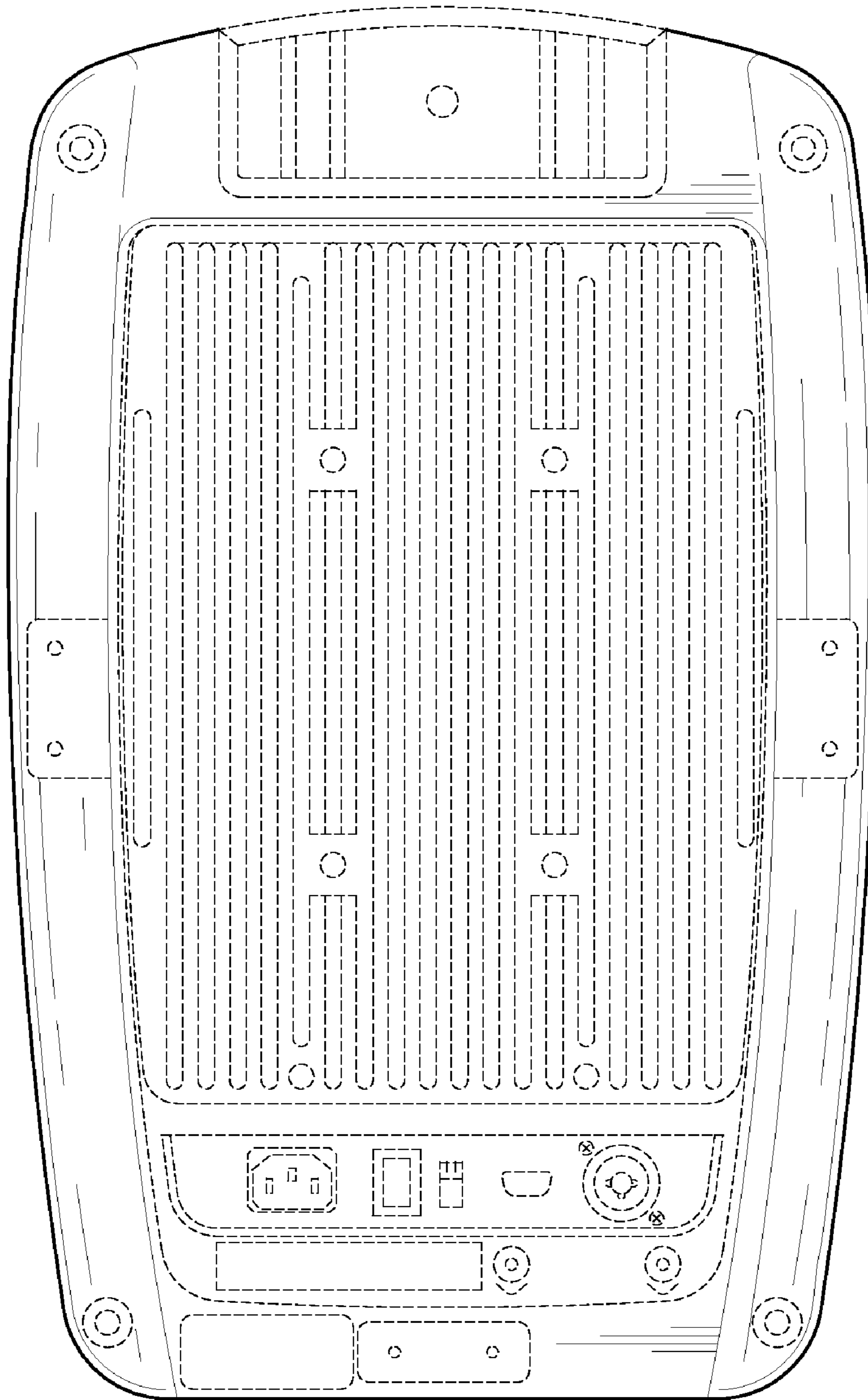


Fig. 5

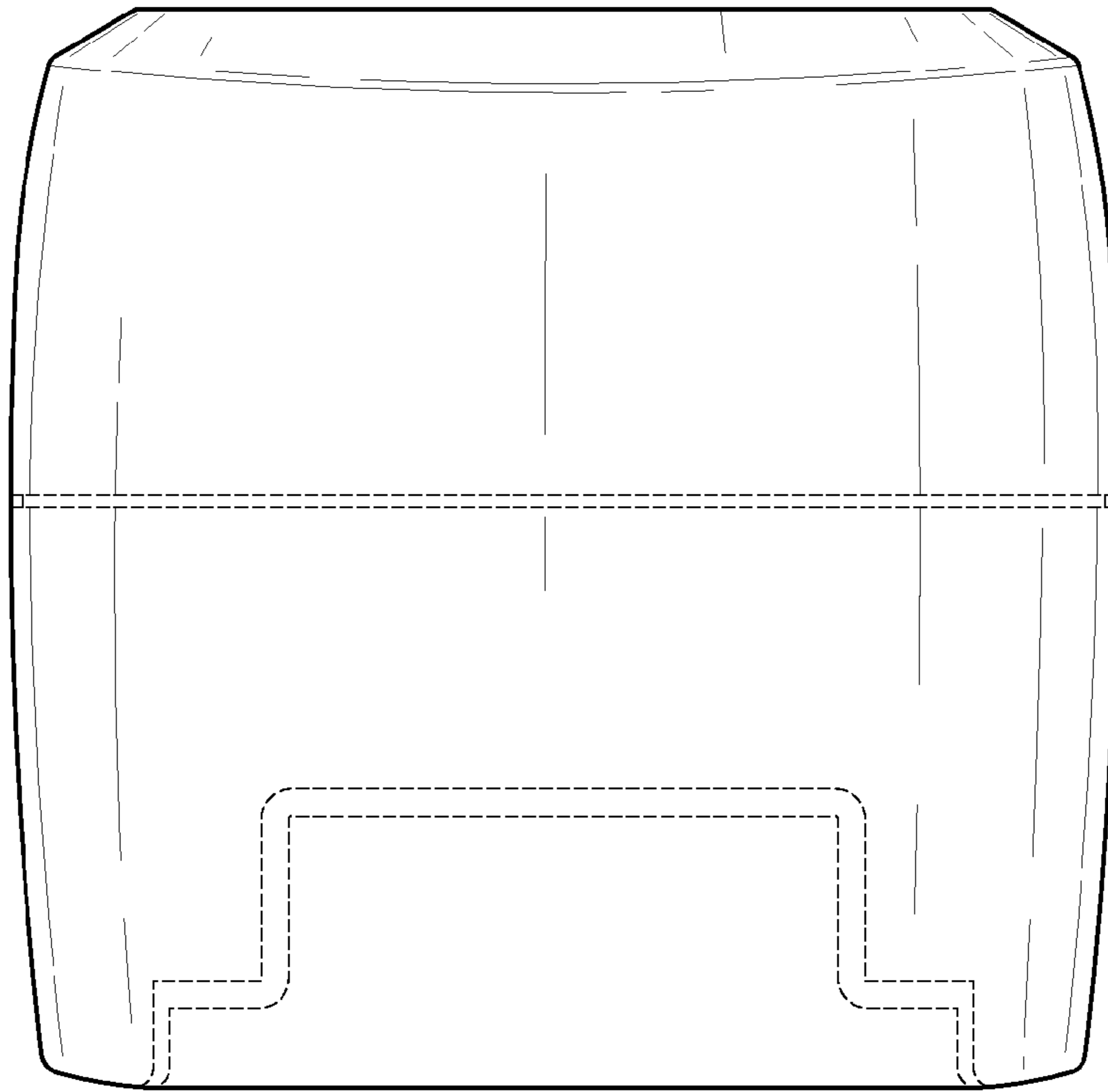


Fig. 6

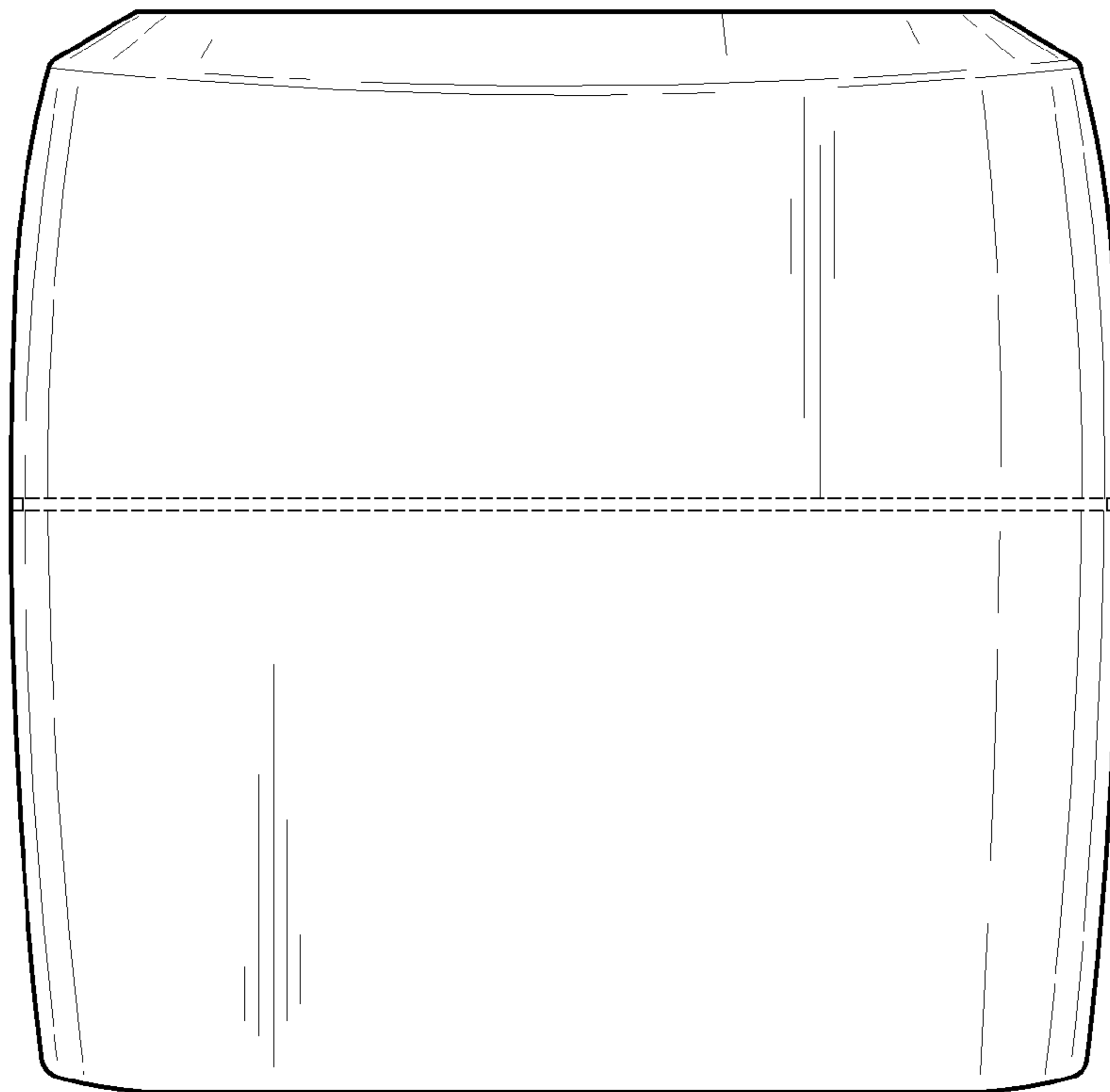


Fig. 7

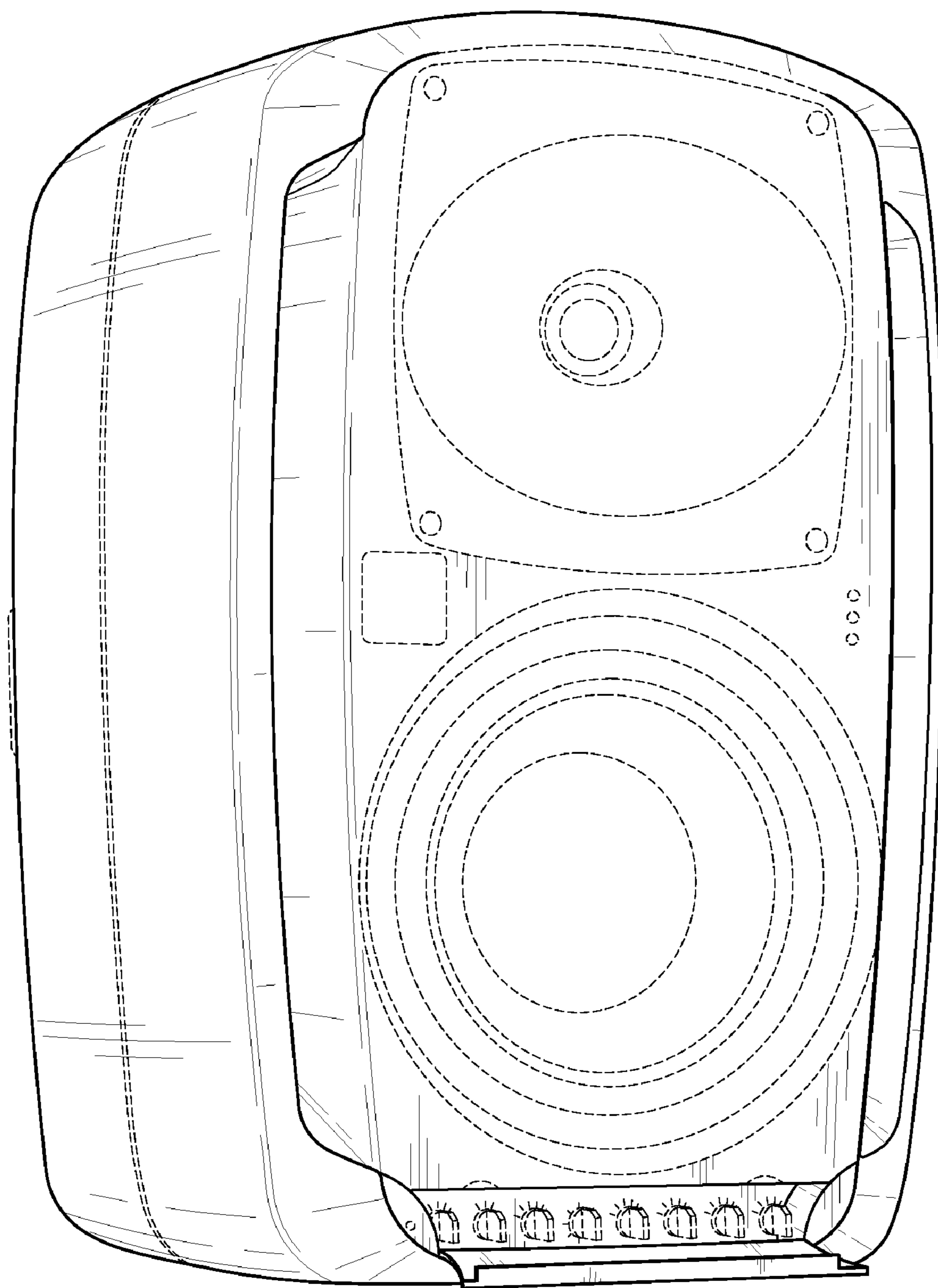


Fig. 8

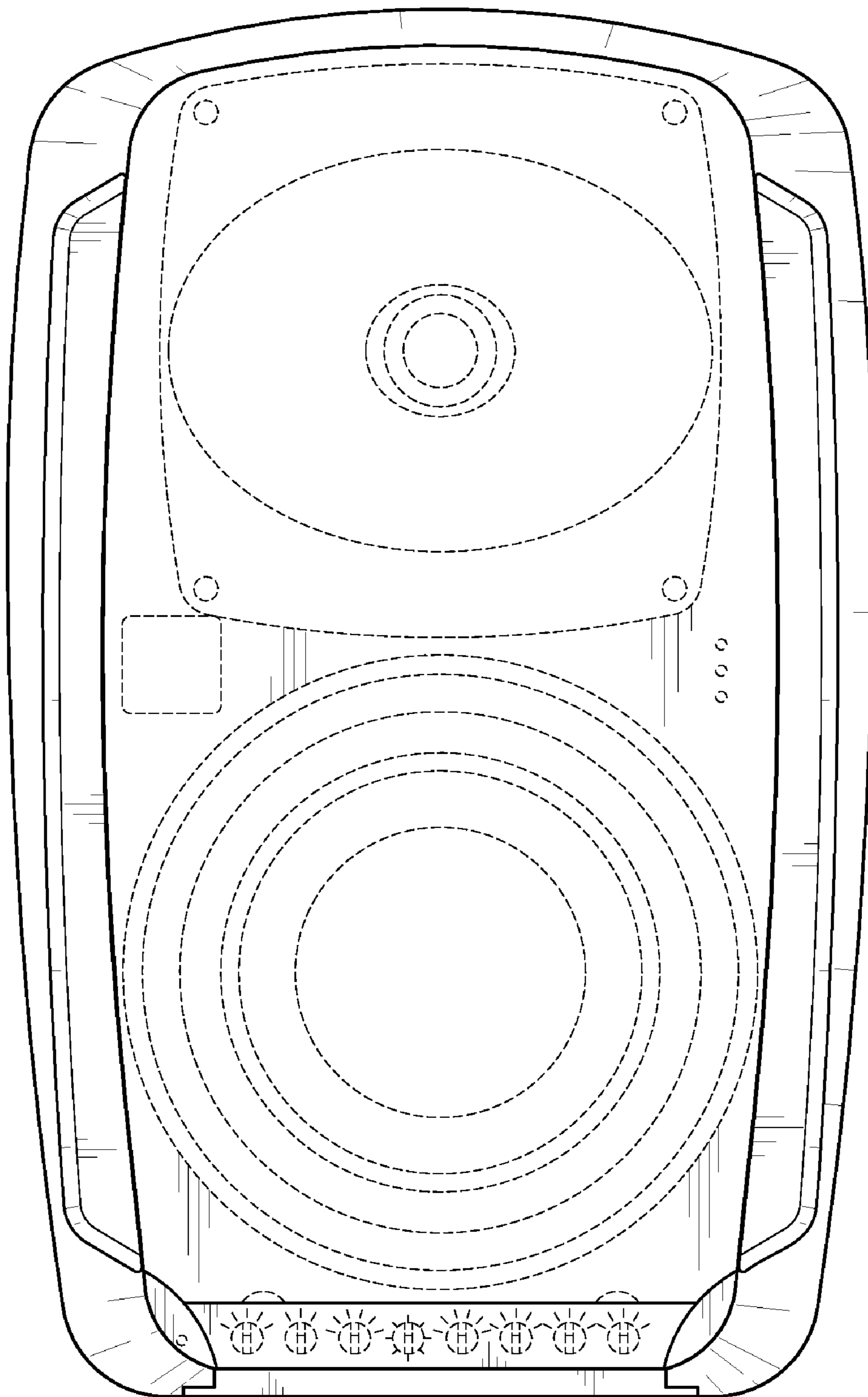


Fig. 9