



US00D628557S

(12) **United States Design Patent**
Vercelli et al.

(10) **Patent No.:** **US D628,557 S**

(45) **Date of Patent:** **** Dec. 7, 2010**

(54) **LOUDSPEAKER**

D544,466 S * 6/2007 Pincek et al. D14/214

(76) Inventors: **Marcelo Vercelli**, 17036 NE. 179th St.,
Woodinville, WA (US) 98072; **Petr**
Stolz, 107 Carnarvon St., Silverwater
(AU) NSW 2128

* cited by examiner

Primary Examiner—Nanda Bondade

(74) *Attorney, Agent, or Firm*—AEON Law; Adam L. K.
Philipp

(**) Term: **14 Years**

(57) **CLAIM**

(21) Appl. No.: **29/340,745**

The ornamental design for a loudspeaker, as shown and
described.

(22) Filed: **Jul. 24, 2009**

DESCRIPTION

(51) **LOC (9) Cl.** **14-01**

FIG. 1 is a front perspective of a loudspeaker showing my new
design.

(52) **U.S. Cl.** **D14/215**

FIG. 2 is a rear perspective view thereof.

(58) **Field of Classification Search** D14/204,
D14/210–216, 172, 496; 181/143–144, 147–148,
181/150–153, 157, 198–199; 381/300–303,
381/306, 332–333, 336, 345, 361–364, 386–388
See application file for complete search history.

FIG. 3 is a front view thereof.

FIG. 4 is a side view thereof.

FIG. 5 is a rear view thereof.

FIG. 6 is a top view thereof; and,

FIG. 7 is a bottom view thereof.

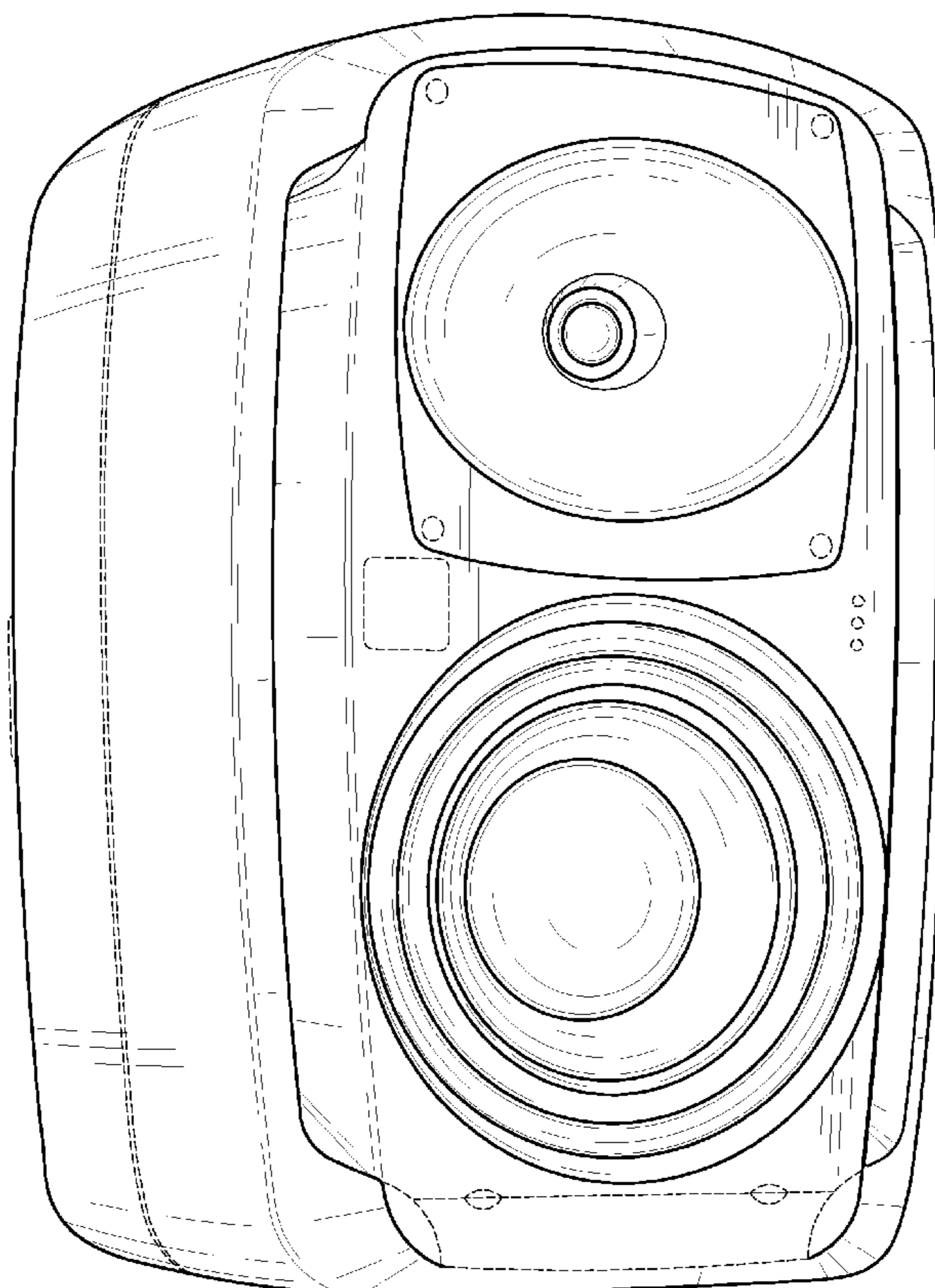
(56) **References Cited**

U.S. PATENT DOCUMENTS

4,221,929 A * 9/1980 Fukuda 381/386
D271,967 S * 12/1983 Meyer et al. D14/214
D439,239 S * 3/2001 Ito et al. D14/215
D452,964 S * 1/2002 Vosse D14/204
D521,494 S * 5/2006 Koskinen et al. D14/214

The broken line showing on the drawing disclosure is for
illustrative purposes only and forms no part of the claimed
design.

1 Claim, 6 Drawing Sheets



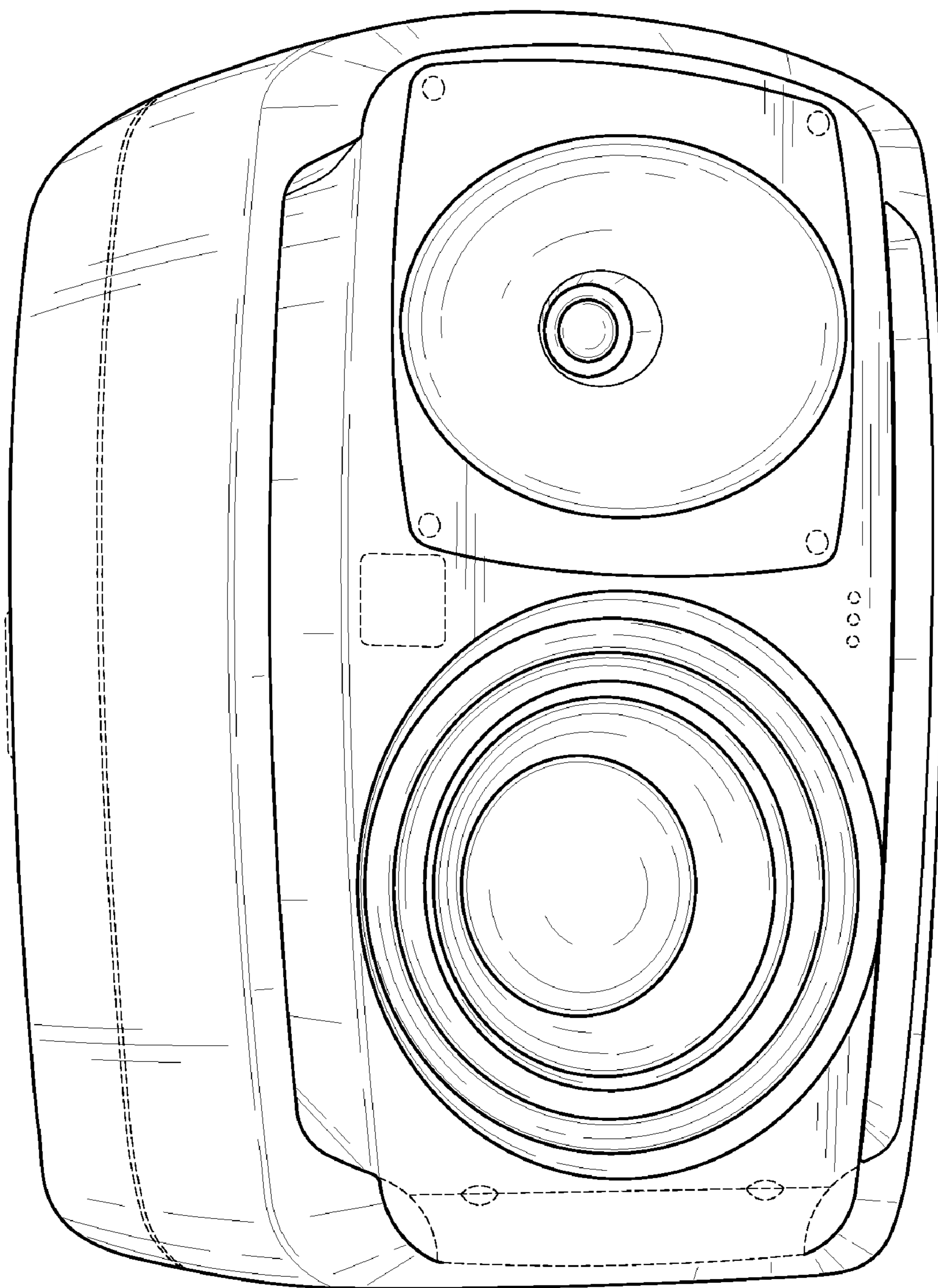


Fig. 1

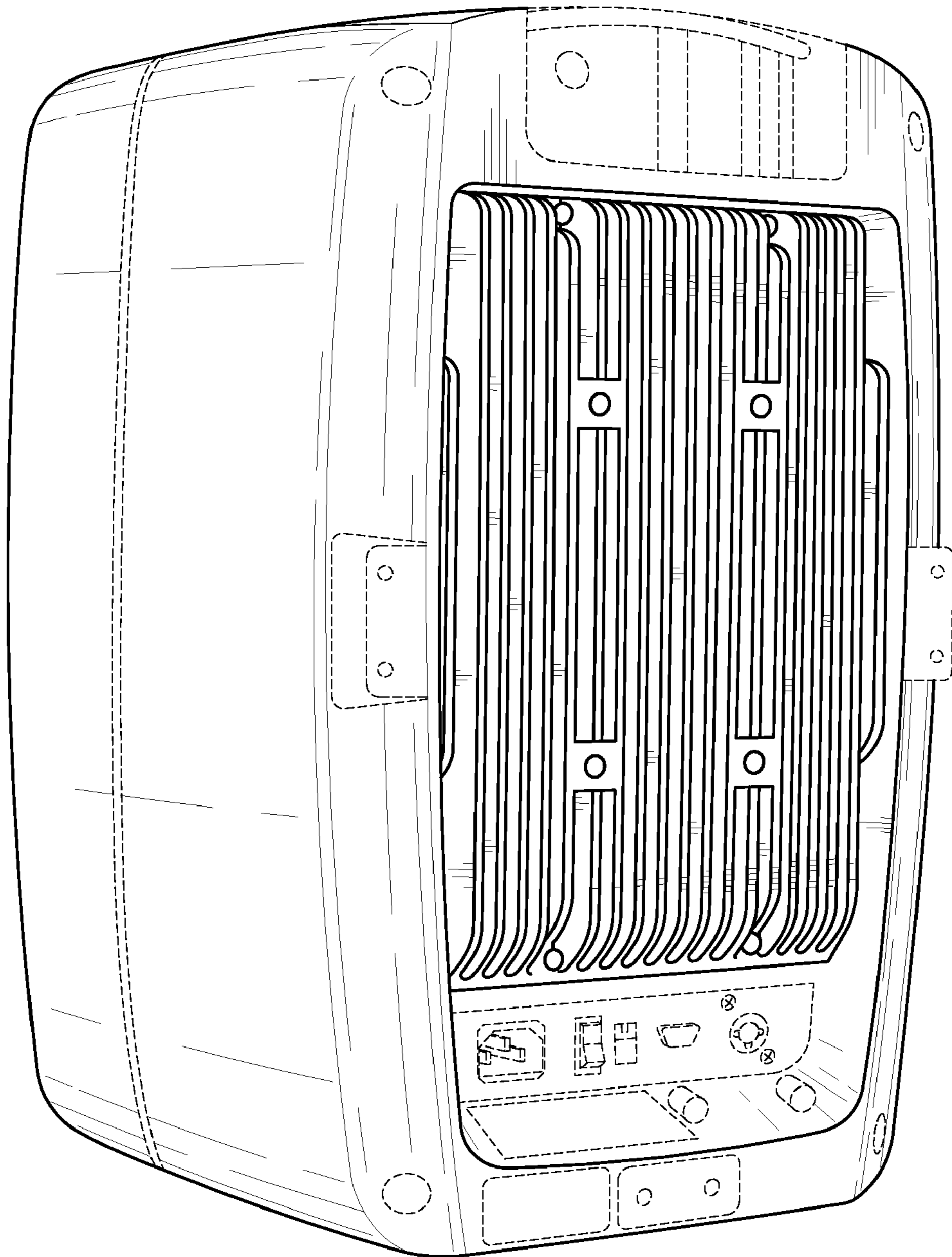


Fig. 2

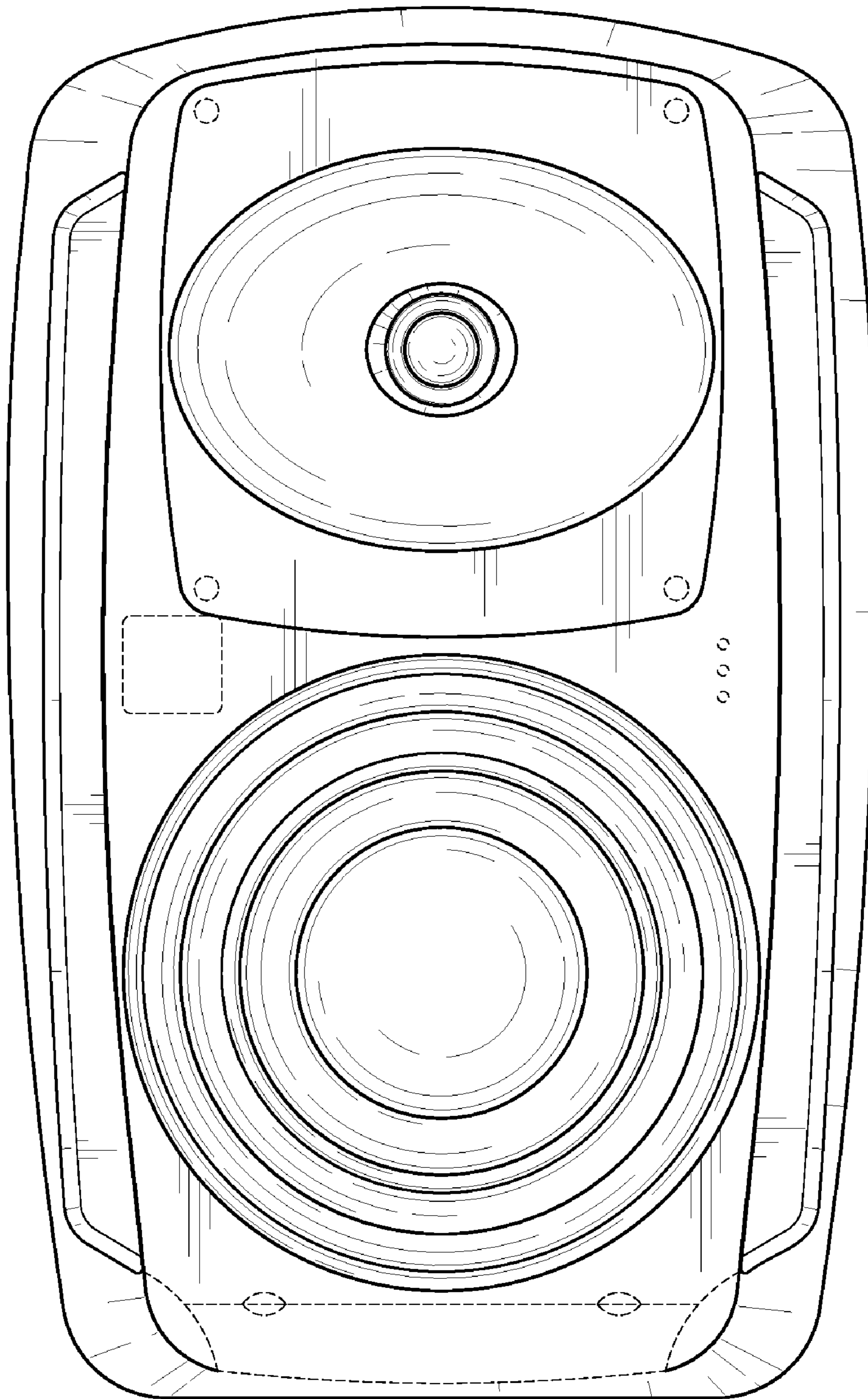


Fig. 3

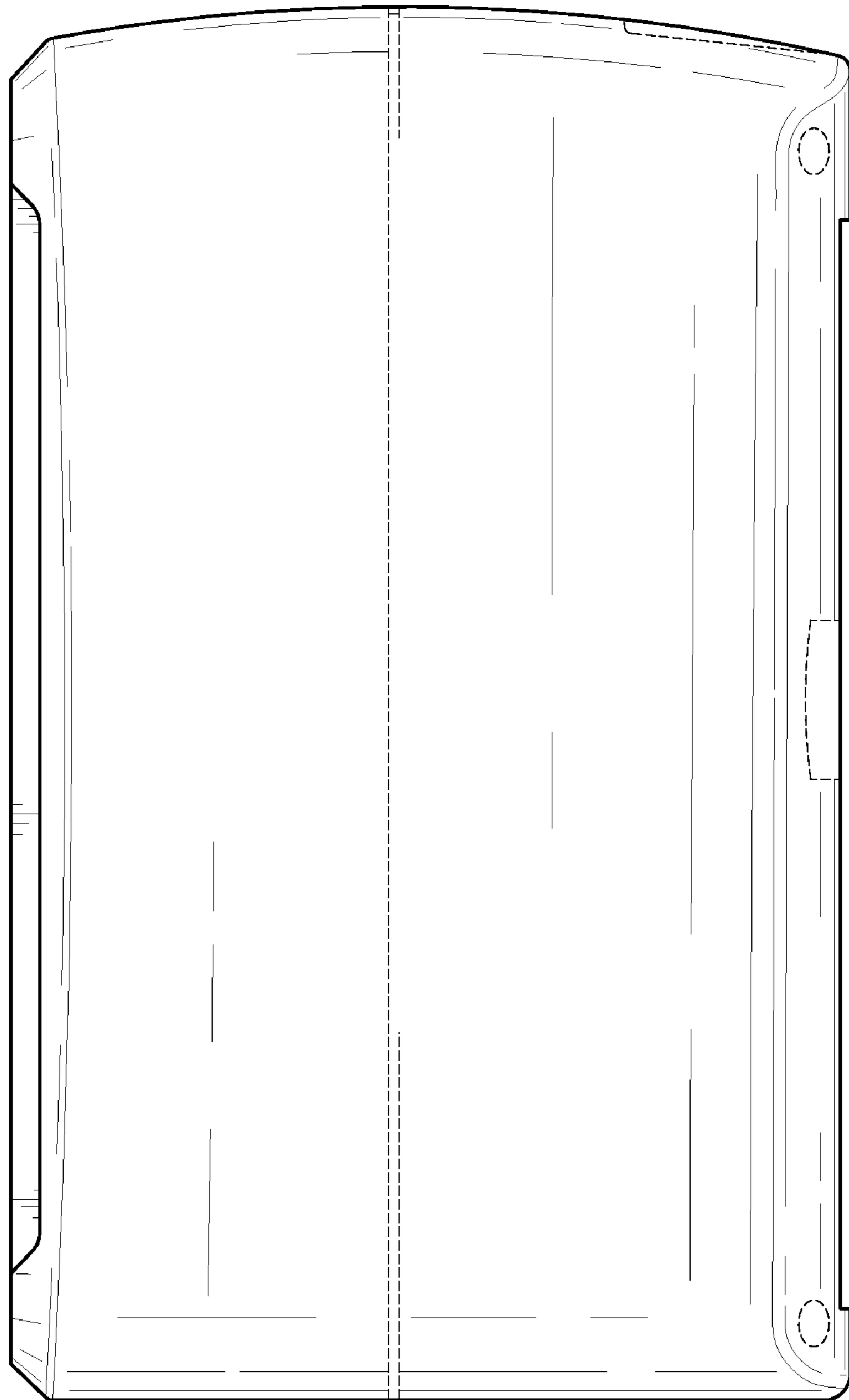


Fig. 4

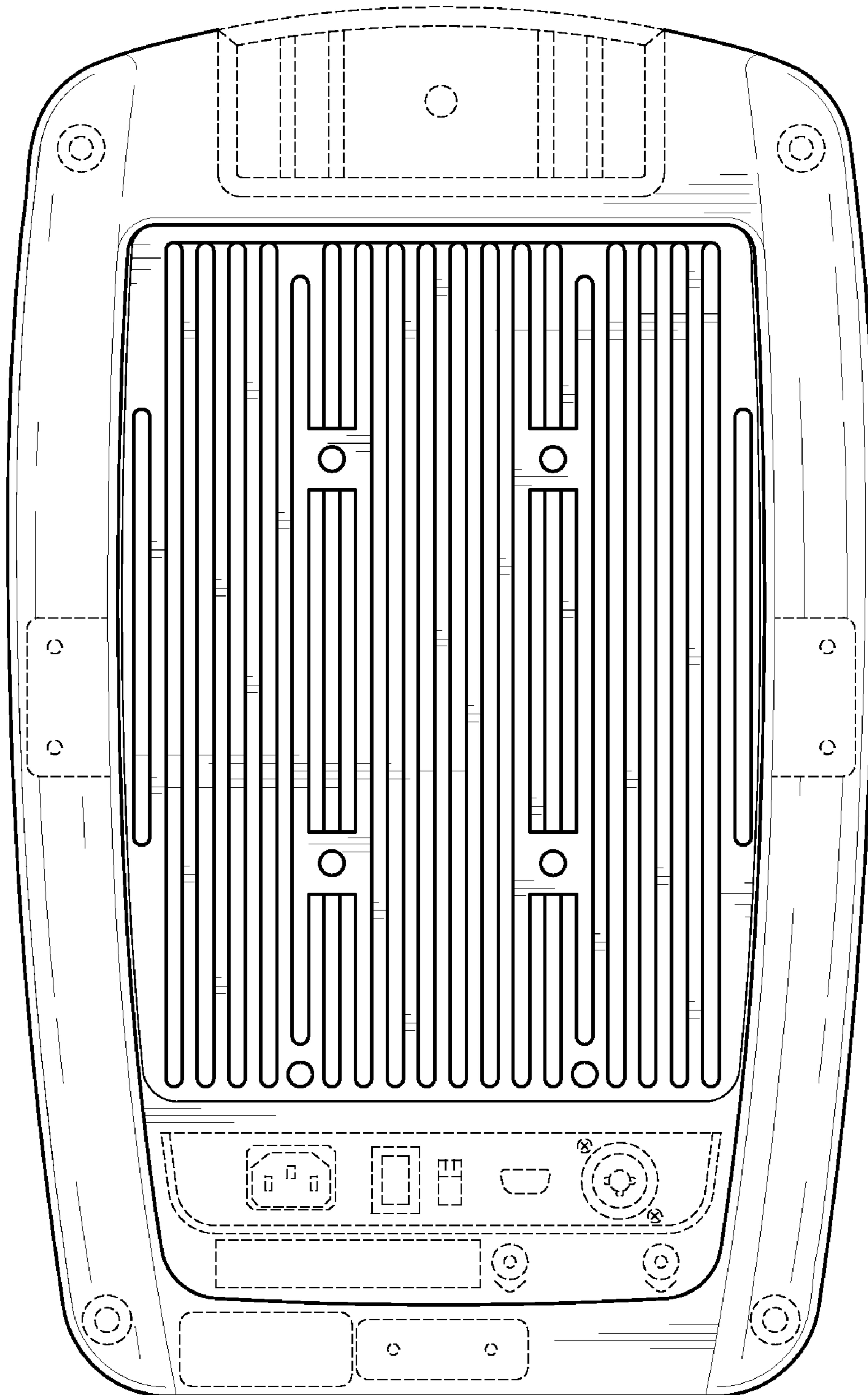


Fig. 5

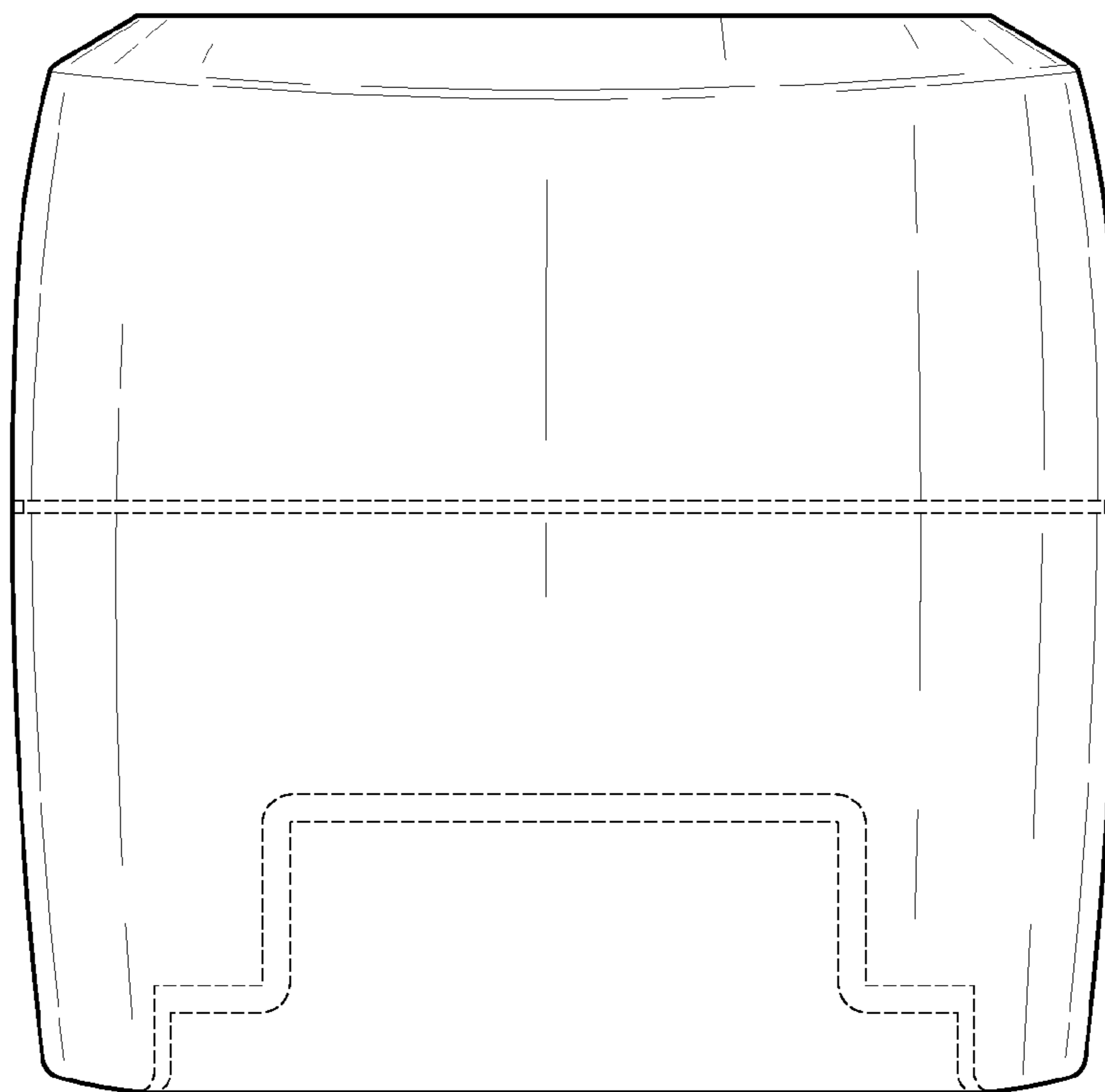


Fig. 6

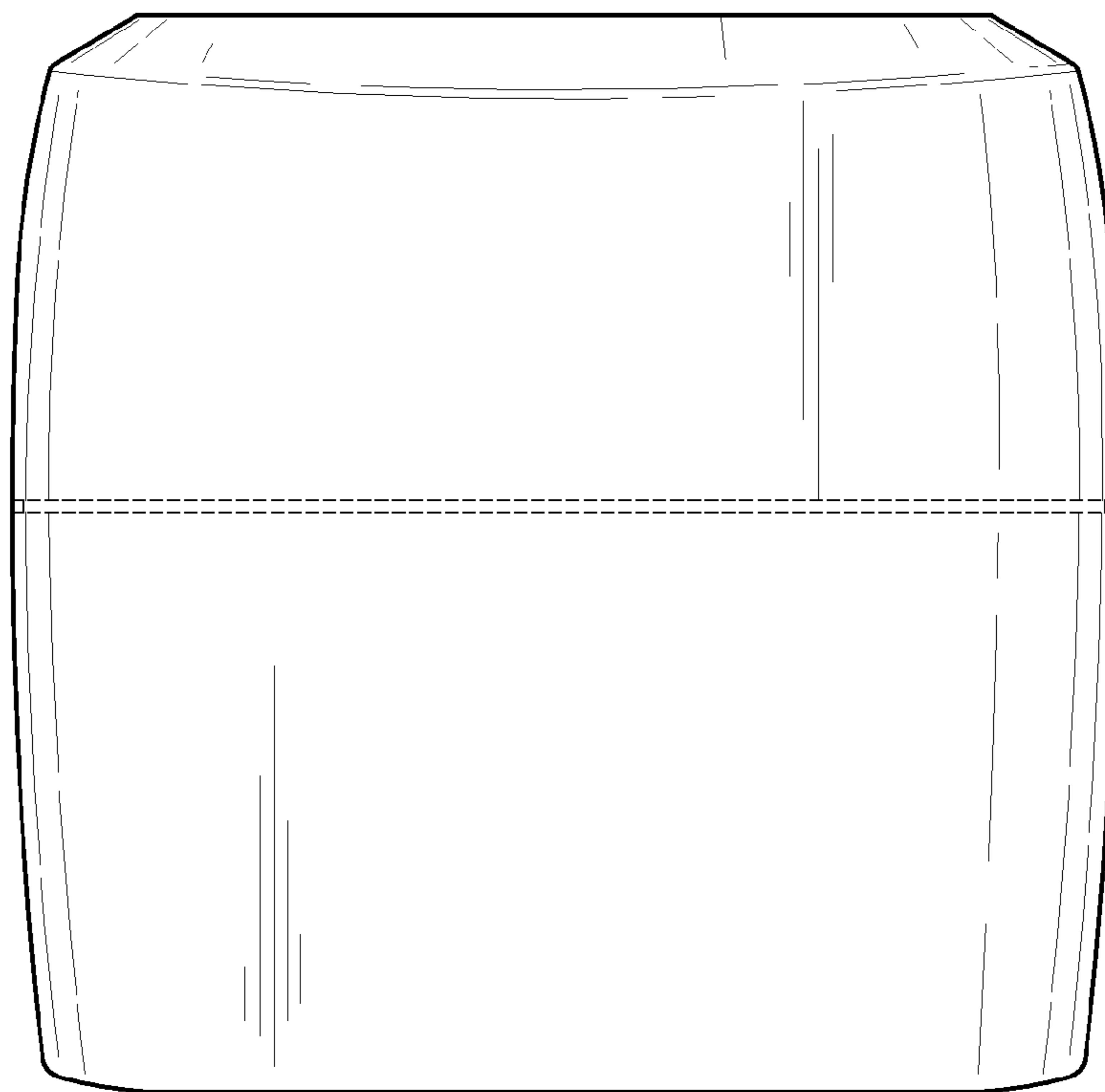


Fig. 7