



US00D628553S

(12) **United States Design Patent**
Cho

(10) **Patent No.:** **US D628,553 S**

(45) **Date of Patent:** **** Dec. 7, 2010**

(54) **AUDIO SET**

(74) *Attorney, Agent, or Firm*—Lexyoume IP Group, PLLC.

(75) Inventor: **Ju-Won Cho**, Seoul (KR)

(57) **CLAIM**

(73) Assignee: **Samsung Electronics Co., Ltd.**,
Maetan-dong, Yeongtong-gu, Suwon-si,
Gyeonggi-do (KR)

The ornamental design for an audio set, as shown and described.

(**) Term: **14 Years**

DESCRIPTION

(21) Appl. No.: **29/348,455**

FIG. 1 is a perspective view of an audio set showing my new design;

(22) Filed: **Jan. 7, 2010**

FIG. 2 is a front elevational view thereof;

(51) **LOC (9) Cl.** **14-01**

FIG. 3 is a rear elevational view thereof;

(52) **U.S. Cl.** **D14/168**

FIG. 4 is a left side elevational view thereof;

(58) **Field of Classification Search** D14/496,
D14/498–510, 167–168, 188, 214; 360/99.02,
360/99.07; 369/75.11, 75.21, 77.11, 77.21;
720/601, 612, 619, 649, 655; 455/344, 347–351
See application file for complete search history.

FIG. 5 is a right side elevational view thereof;

FIG. 6 is a top plan view thereof;

FIG. 7 is a bottom plan view thereof;

FIG. 8 is an enlarged perspective view of a main set of FIG. 1,
shown separately for clarity of illustration;

FIG. 9 is a left side elevational view of FIG. 8;

FIG. 10 is a right side elevational view of FIG. 8; and,

FIG. 11 is a sectional view of the speaker taken on line 11—11
in FIG. 2 with an interior construction omitted.

The broken lines showing on the drawing disclosure is for
illustrative purposes only and forms no part of the claimed
design.

(56) **References Cited**

U.S. PATENT DOCUMENTS

D359,492 S *	6/1995	Dyas	D14/214
D477,830 S *	7/2003	Hussaini et al.	D14/496
D540,781 S *	4/2007	Patel et al.	D14/214
D552,593 S *	10/2007	Ahlgrim et al.	D14/168

* cited by examiner

Primary Examiner—Nanda Bondade

1 Claim, 11 Drawing Sheets

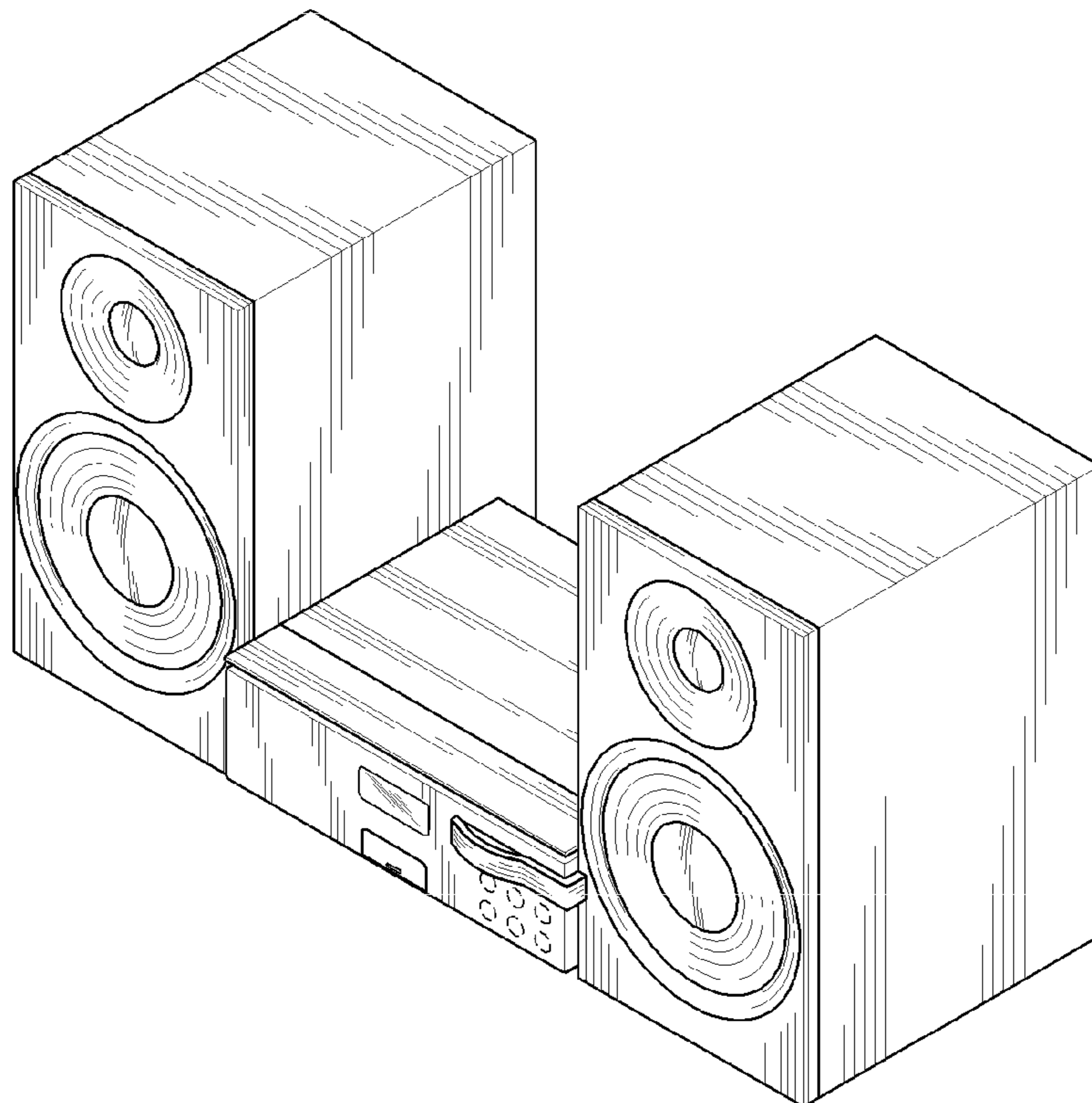


FIG.1

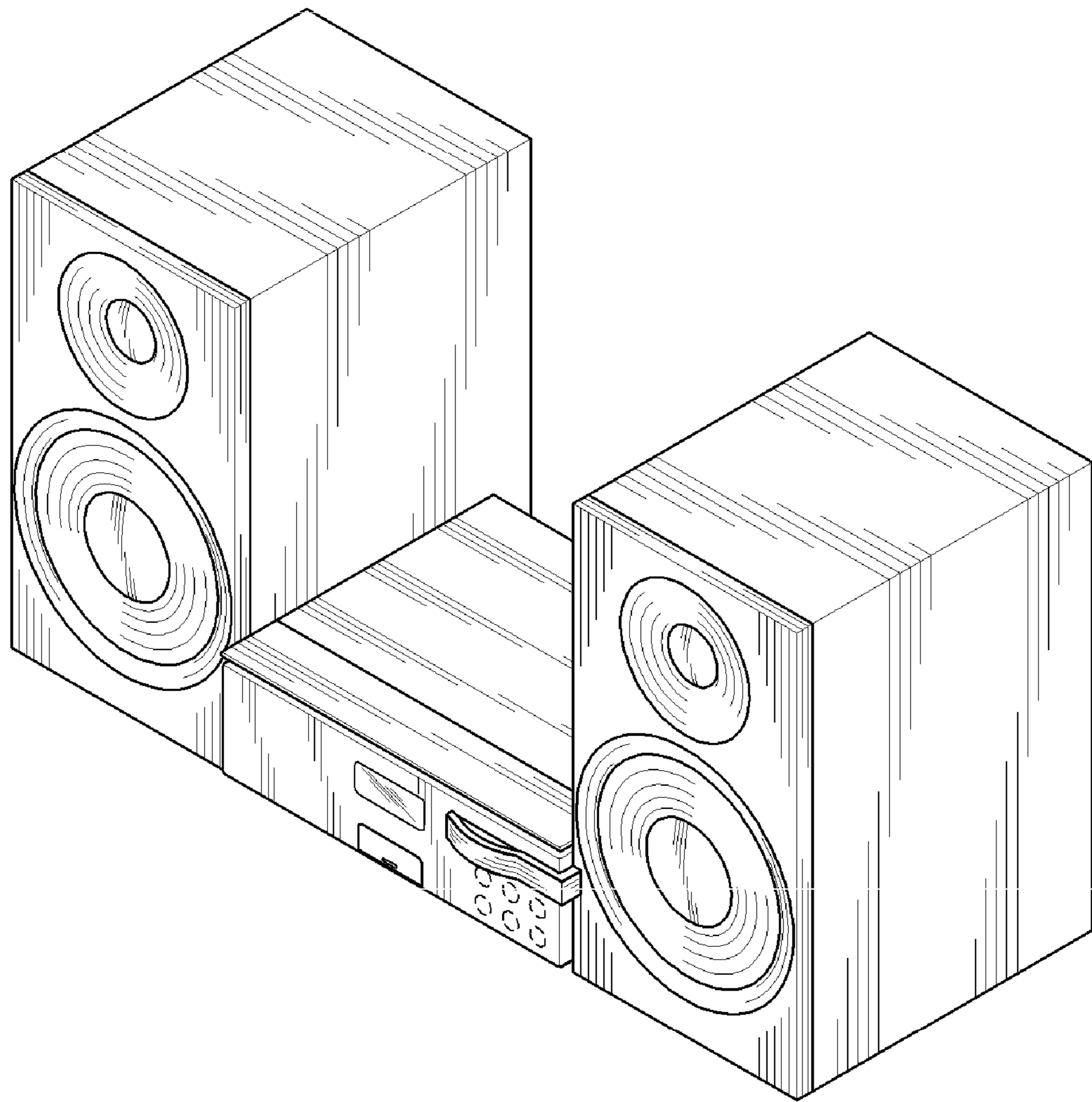


FIG.2

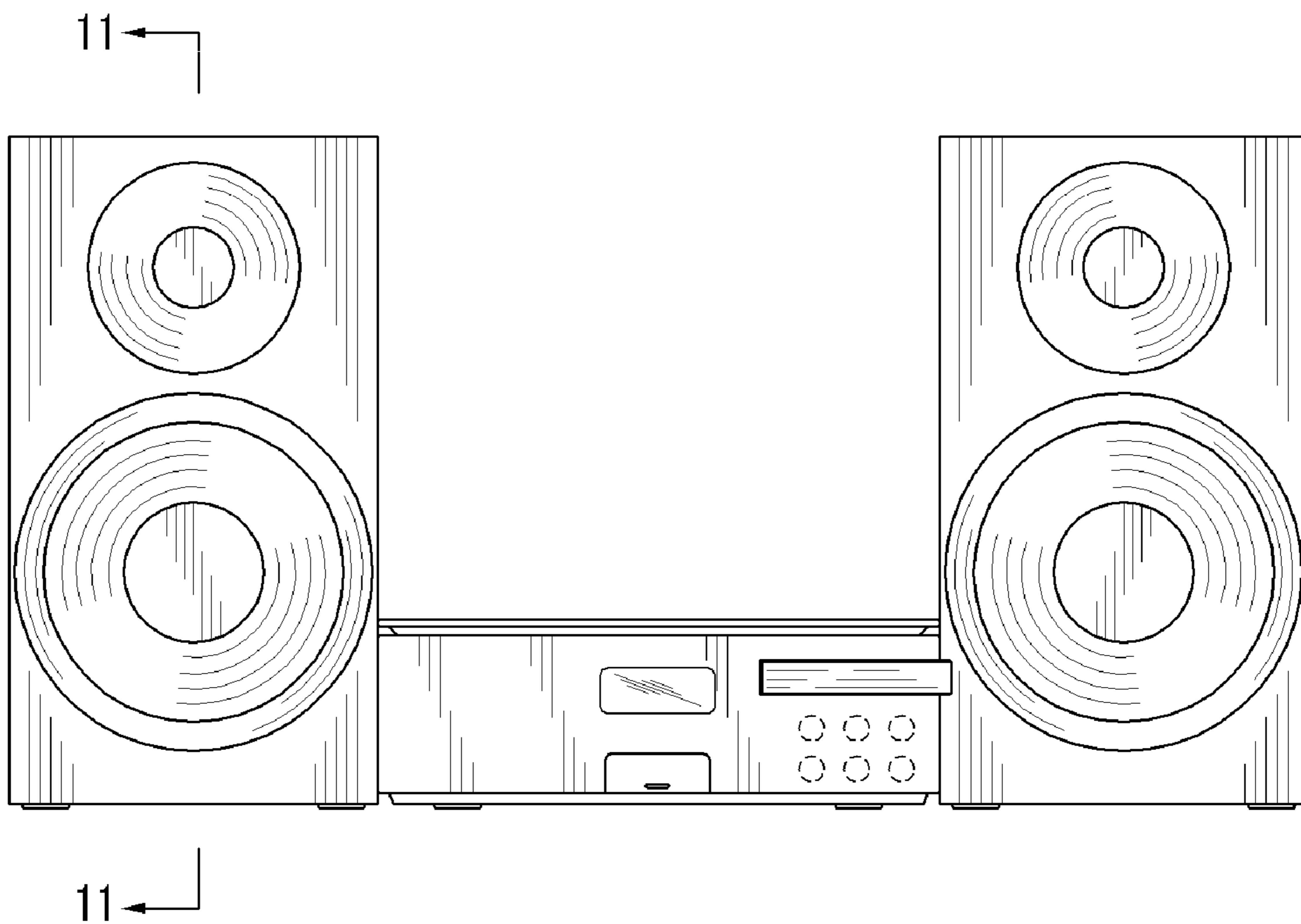


FIG.3

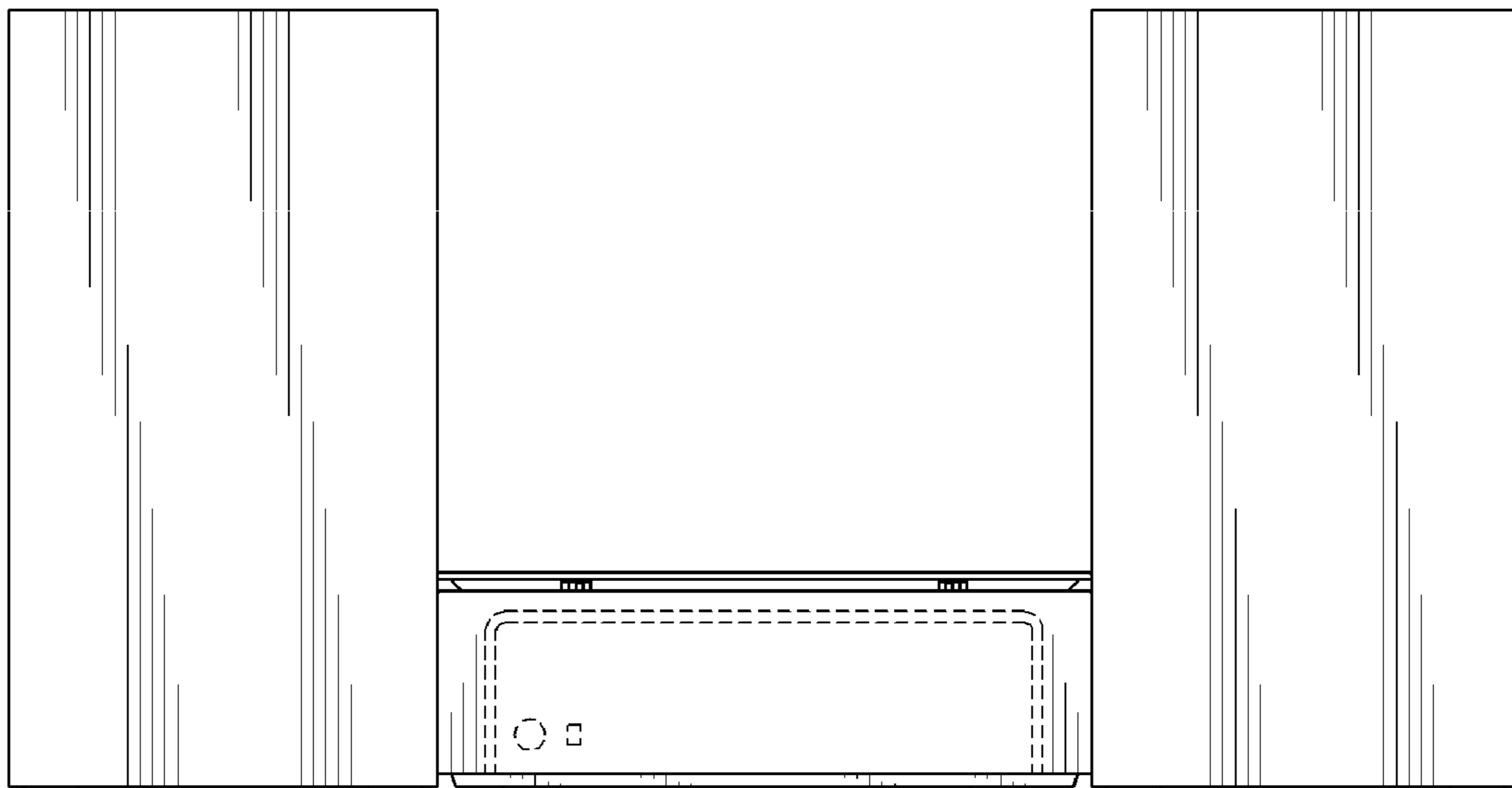


FIG. 4

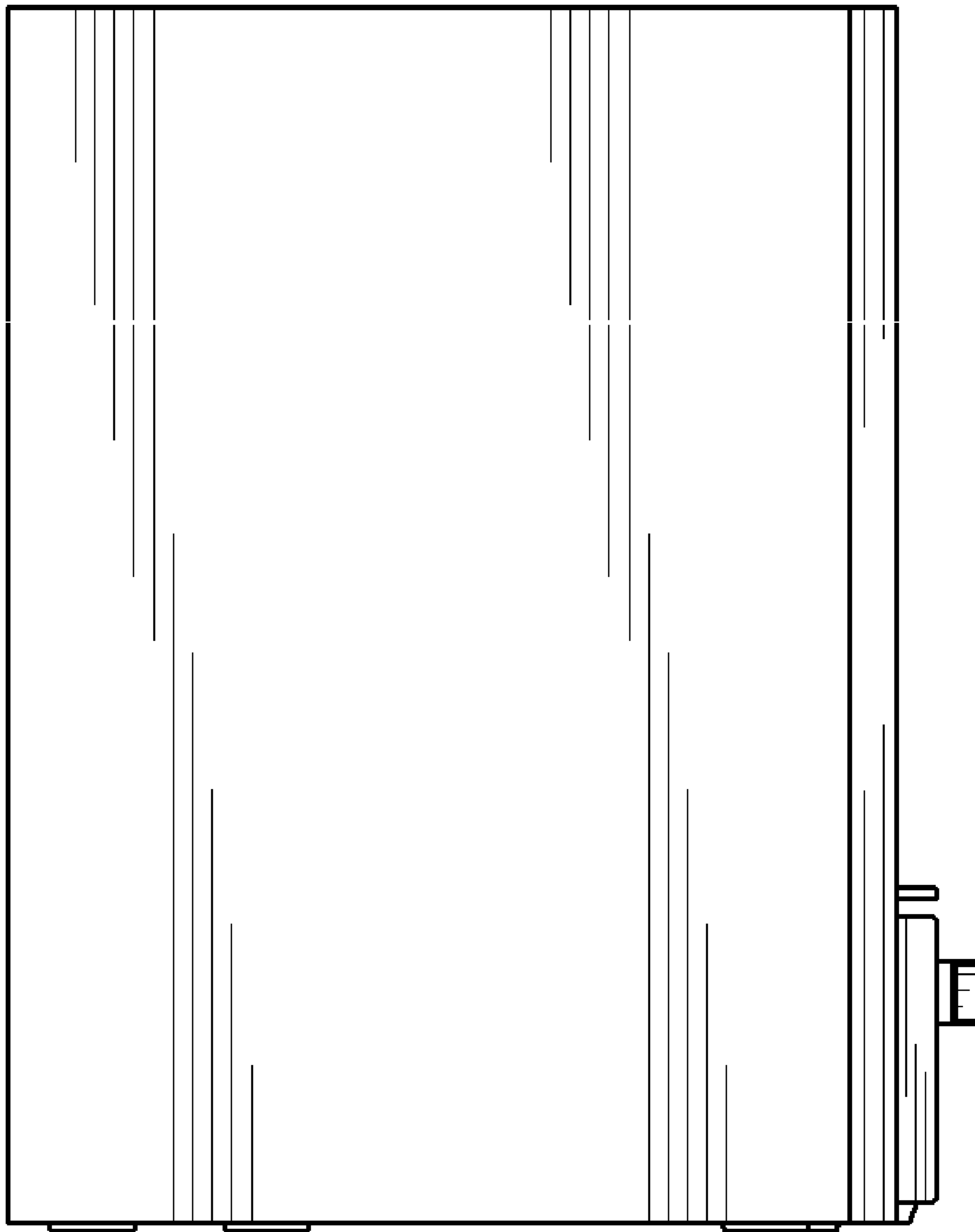


FIG. 5

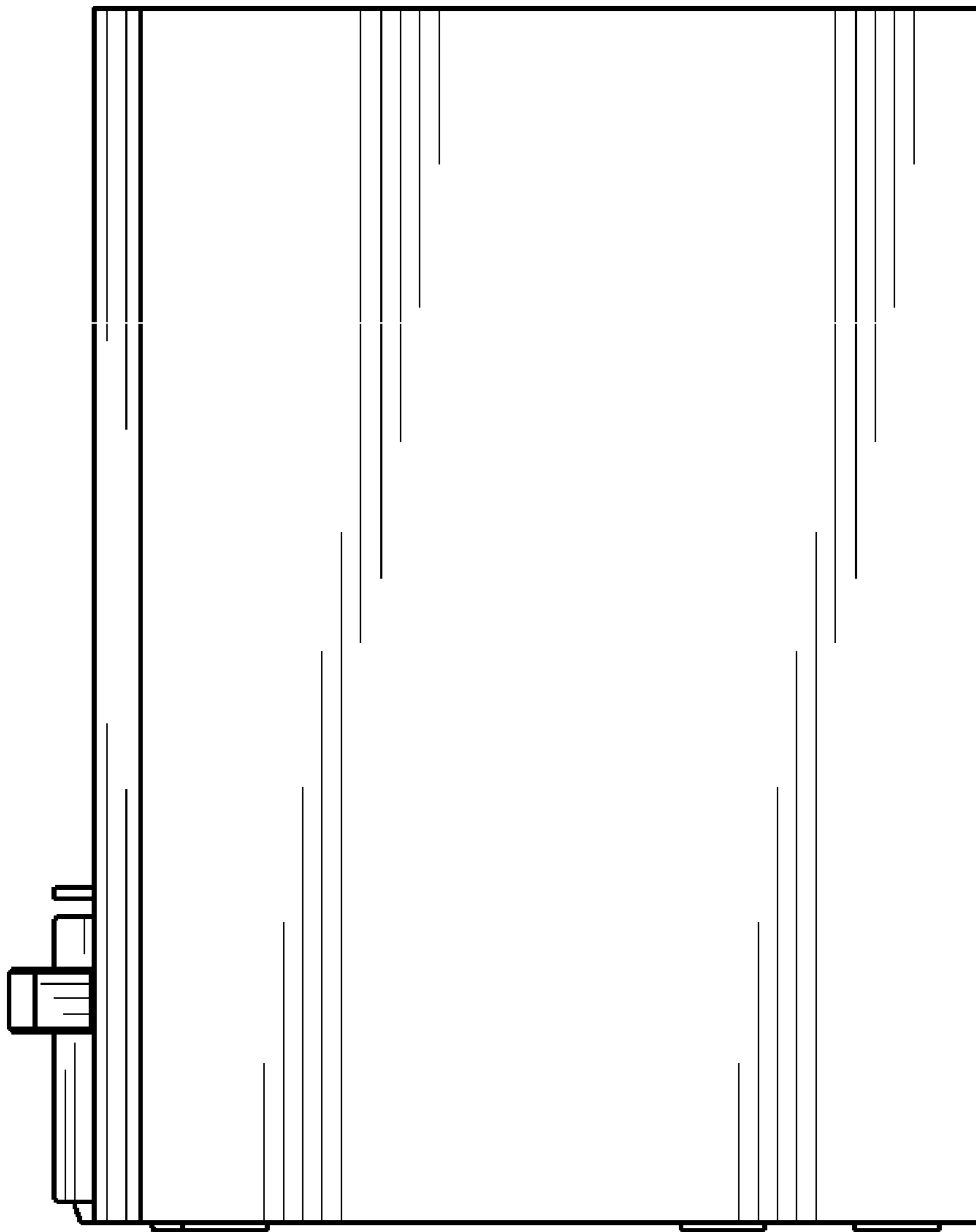


FIG.6

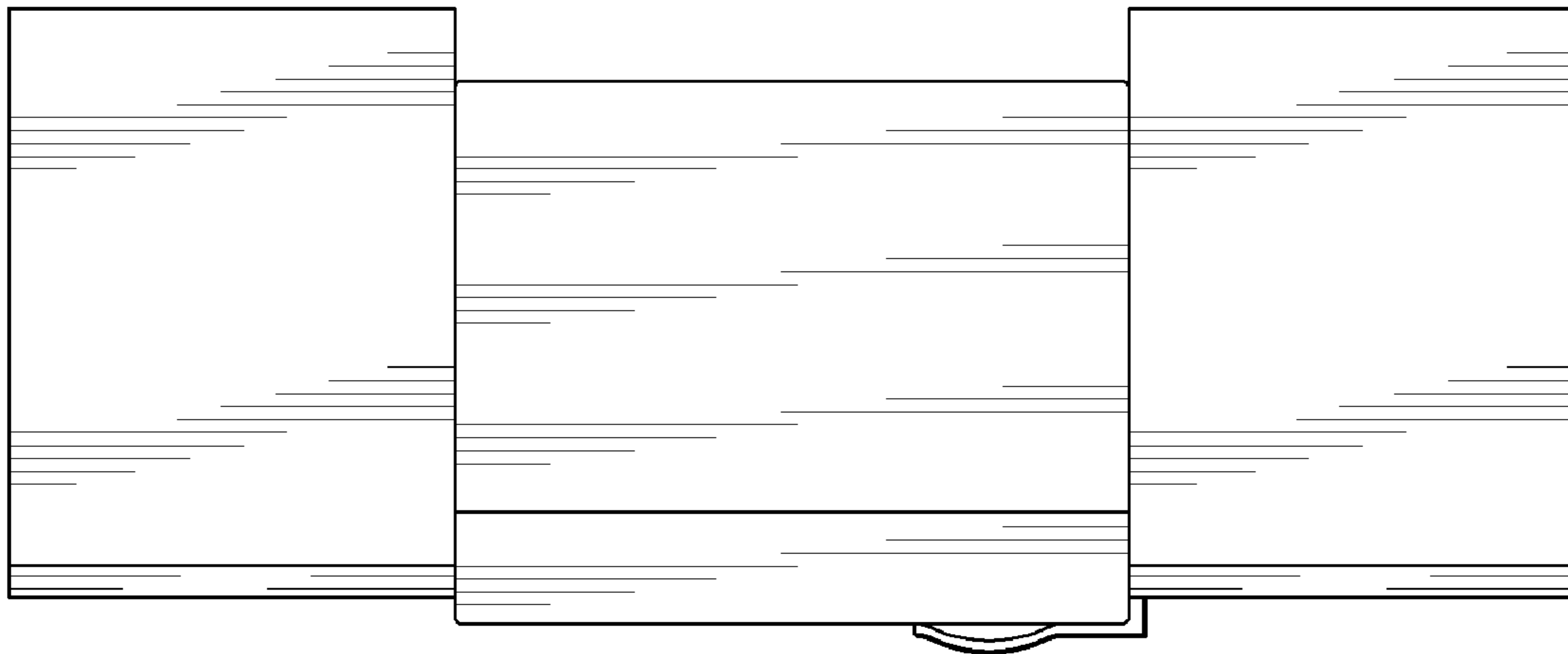


FIG. 7

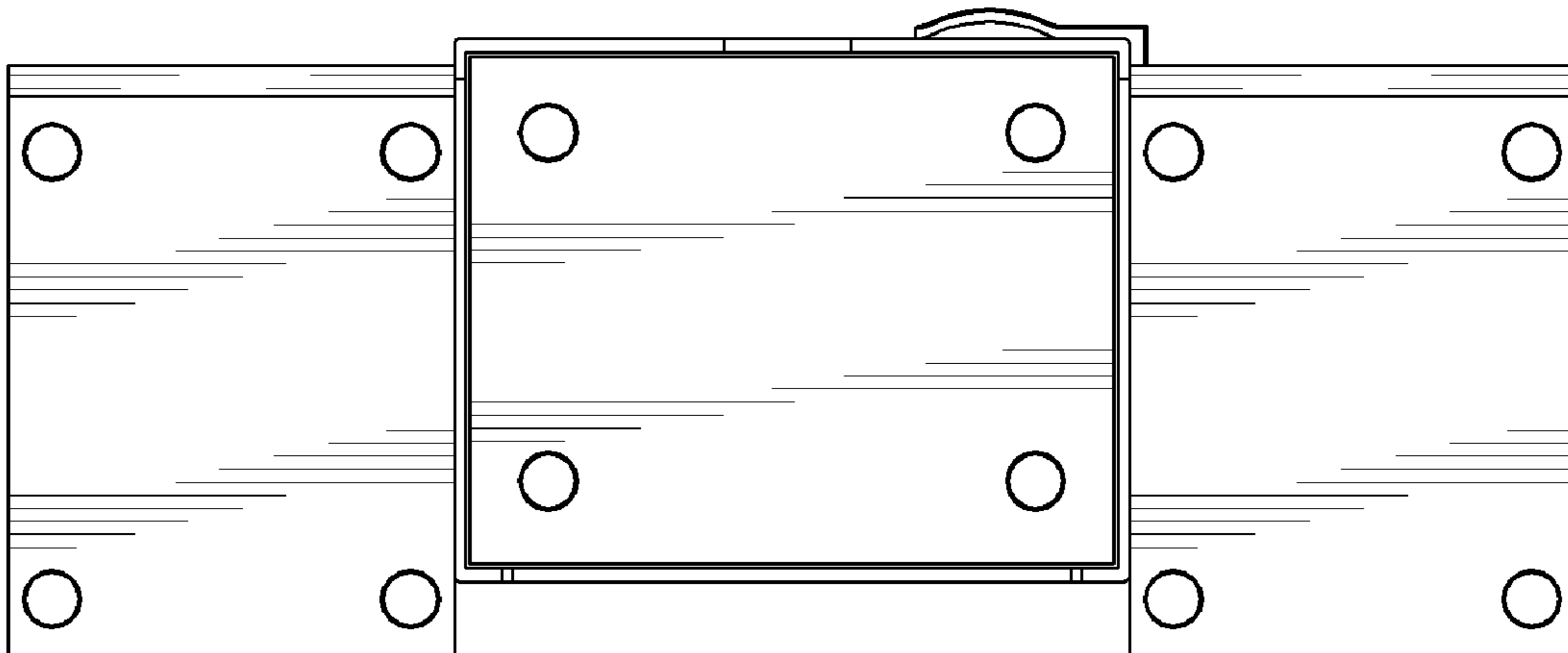


FIG.8

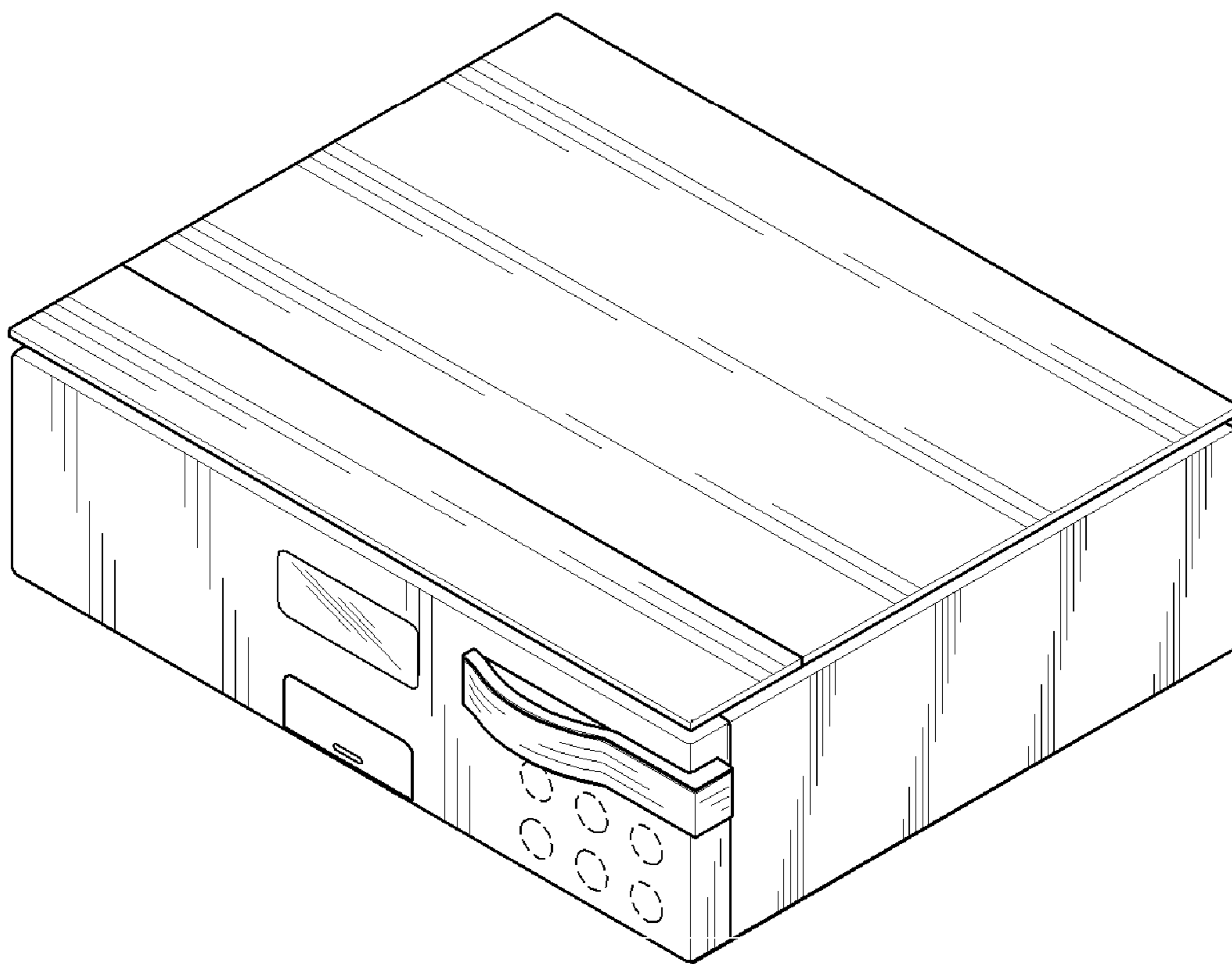


FIG.9

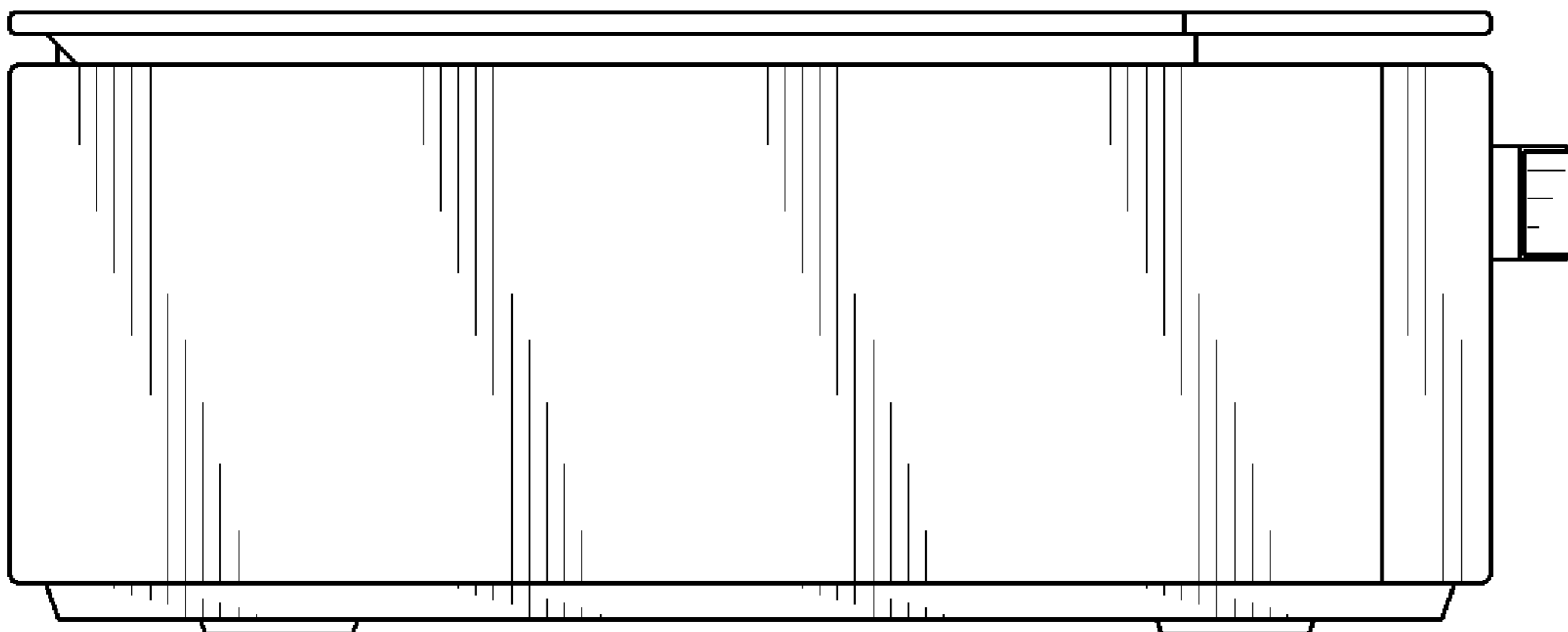


FIG. 10

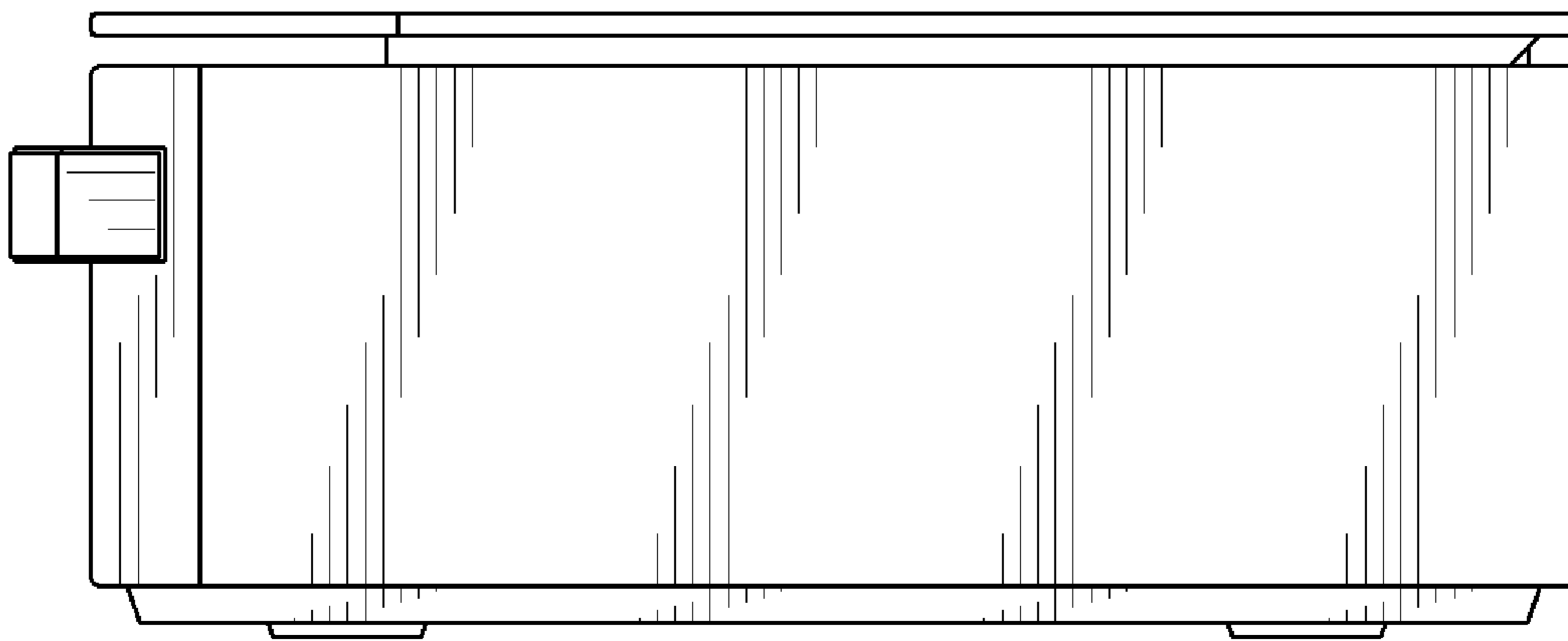


FIG. 11

