



US00D628541S

(12) **United States Design Patent**  
**Lin**

(10) **Patent No.:** **US D628,541 S**  
(45) **Date of Patent:** **\*\* Dec. 7, 2010**

(54) **LIGHT EMITTING DIODE**  
(75) Inventor: **Jung-Chiuan Lin**, Tucheng (TW)  
(73) Assignee: **Everlight Electronics Co., Ltd.**,  
Tucheng, Taipei County (TW)  
(\*\*) Term: **14 Years**  
(21) Appl. No.: **29/363,724**  
(22) Filed: **Jun. 14, 2010**

JP D1383142 3/2010  
JP D1383440 3/2010  
KR 30-0439699 2/2007  
KR 30-0530344 6/2009  
KR 30-0531036 6/2009

\* cited by examiner

*Primary Examiner*—Selina Sikder  
(74) *Attorney, Agent, or Firm*—Thomas, Kayden,  
Horstemeyer & Risley, LLP

(51) **LOC (9) Cl.** ..... **13-03**  
(52) **U.S. Cl.** ..... **D13/180**  
(58) **Field of Classification Search** ..... D13/180;  
D26/2; 257/79, 80, 81, 88, 89, 95, 98, 99,  
257/100, E33.058; 313/483, 498, 500; 362/555,  
362/800  
See application file for complete search history.

(57) **CLAIM**

The ornamental design for a light emitting diode, as shown and described.

(56) **References Cited**

**U.S. PATENT DOCUMENTS**

D495,304 S \* 8/2004 Kim et al. .... D13/180  
D578,969 S \* 10/2008 Kobayakawa ..... D13/180  
D584,246 S \* 1/2009 Low et al. .... D13/180  
D595,244 S \* 6/2009 In et al. .... D13/180  
D595,245 S \* 6/2009 Kim et al. .... D13/180  
D595,675 S \* 7/2009 Wang et al. .... D13/180  
D596,591 S \* 7/2009 In et al. .... D13/180  
D597,971 S \* 8/2009 Kobayakawa et al. .... D13/180  
D599,750 S \* 9/2009 Kim et al. .... D13/180  
D608,309 S \* 1/2010 Kim ..... D13/180

**FOREIGN PATENT DOCUMENTS**

JP D1383066 3/2010

**DESCRIPTION**

FIG. 1 is a perspective view of a light emitting diode showing the claimed design;

FIG. 2 is another perspective view thereof;

FIG. 3 is a front elevational view thereof;

FIG. 4 is a rear elevational view thereof;

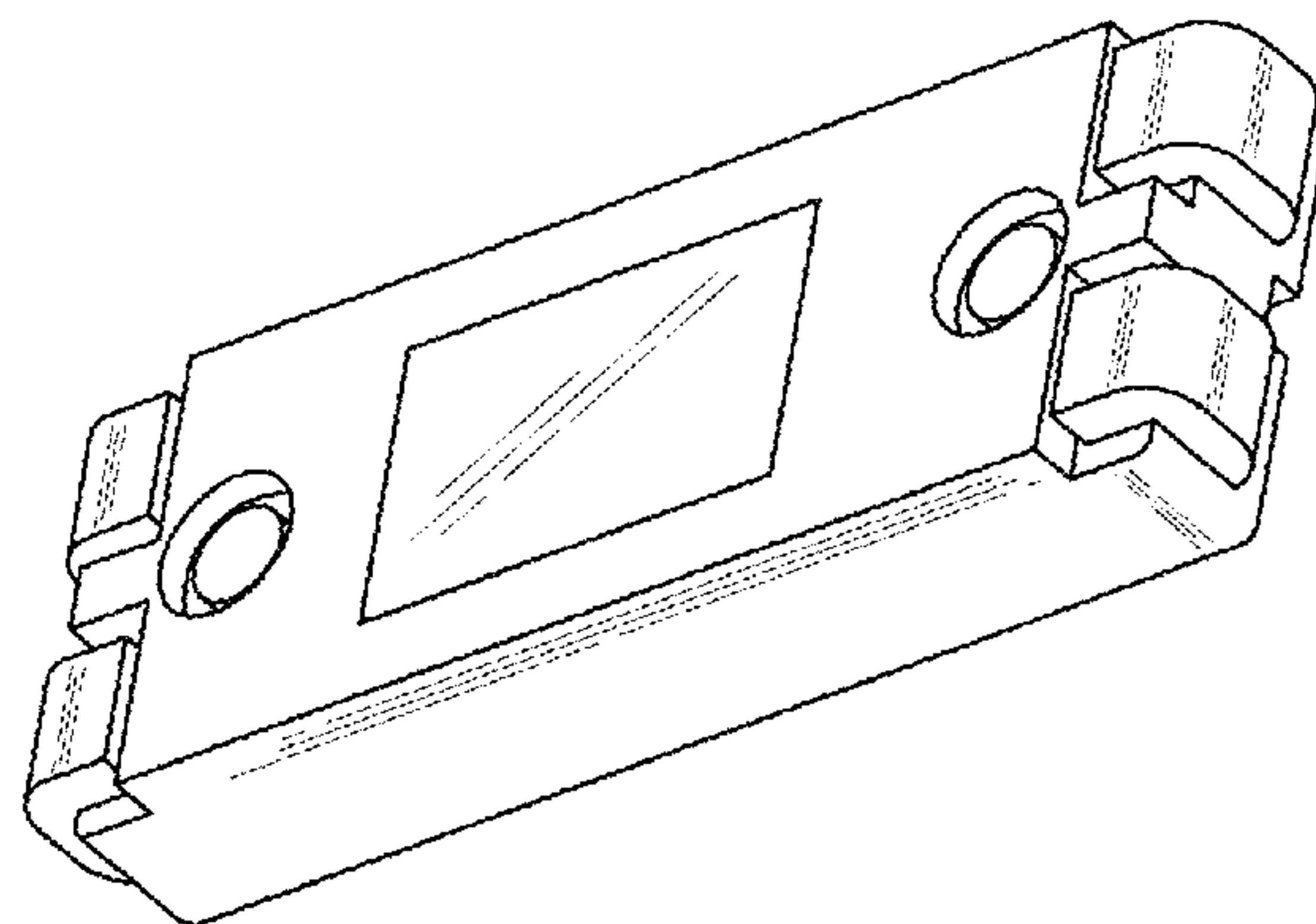
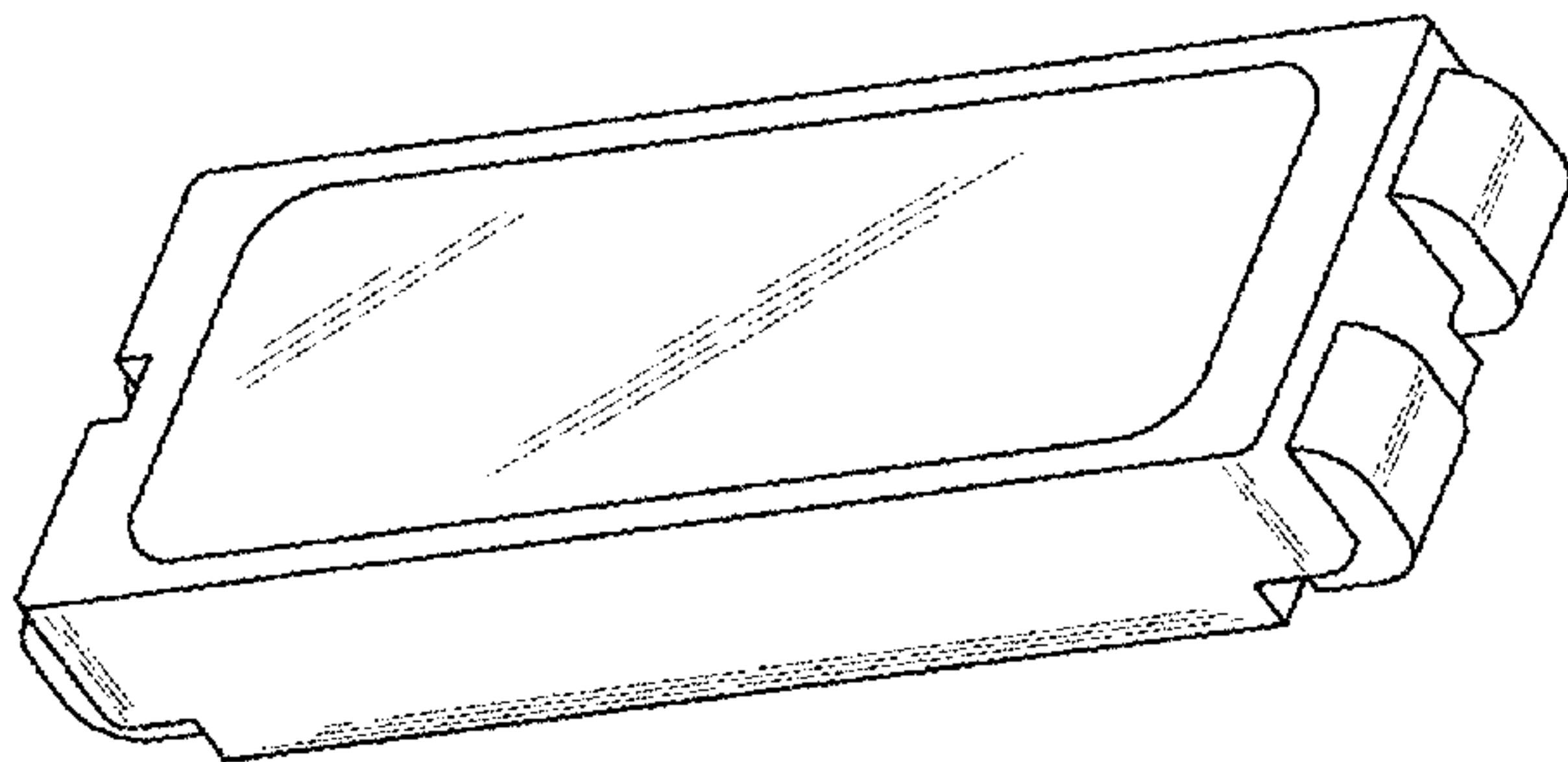
FIG. 5 is a left side elevational view thereof;

FIG. 6 is a right side elevational view thereof;

FIG. 7 is a bottom plan view thereof, which is a mirror image of the top plan view; and,

FIG. 8 is a view showing the visible inner structure through the window portion. The window portion of the design is filled with light transmissible material. The broken lines are directed to environment and are for illustrative purpose only; the broken lines form no part of the claimed design.

**1 Claim, 5 Drawing Sheets**



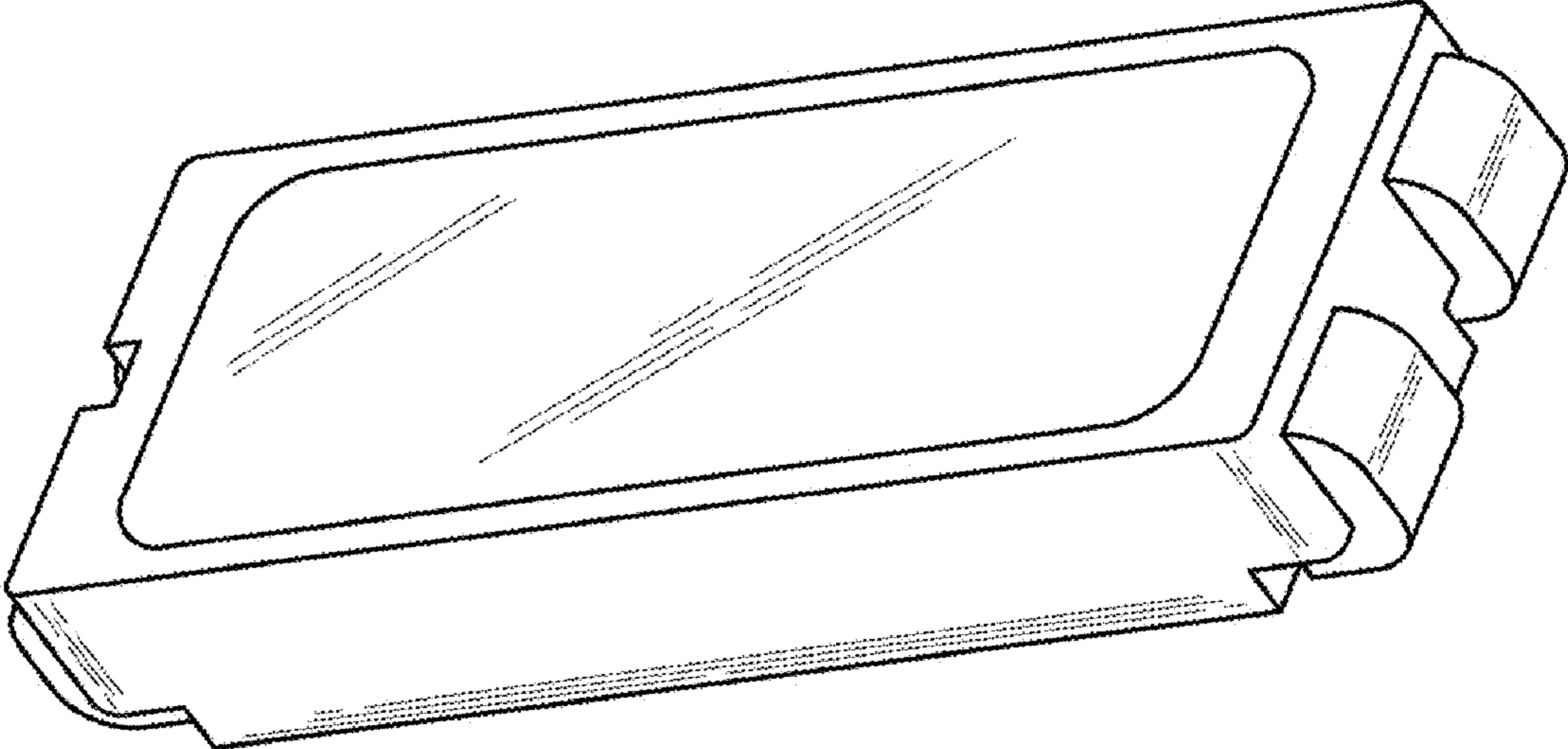


FIG.1

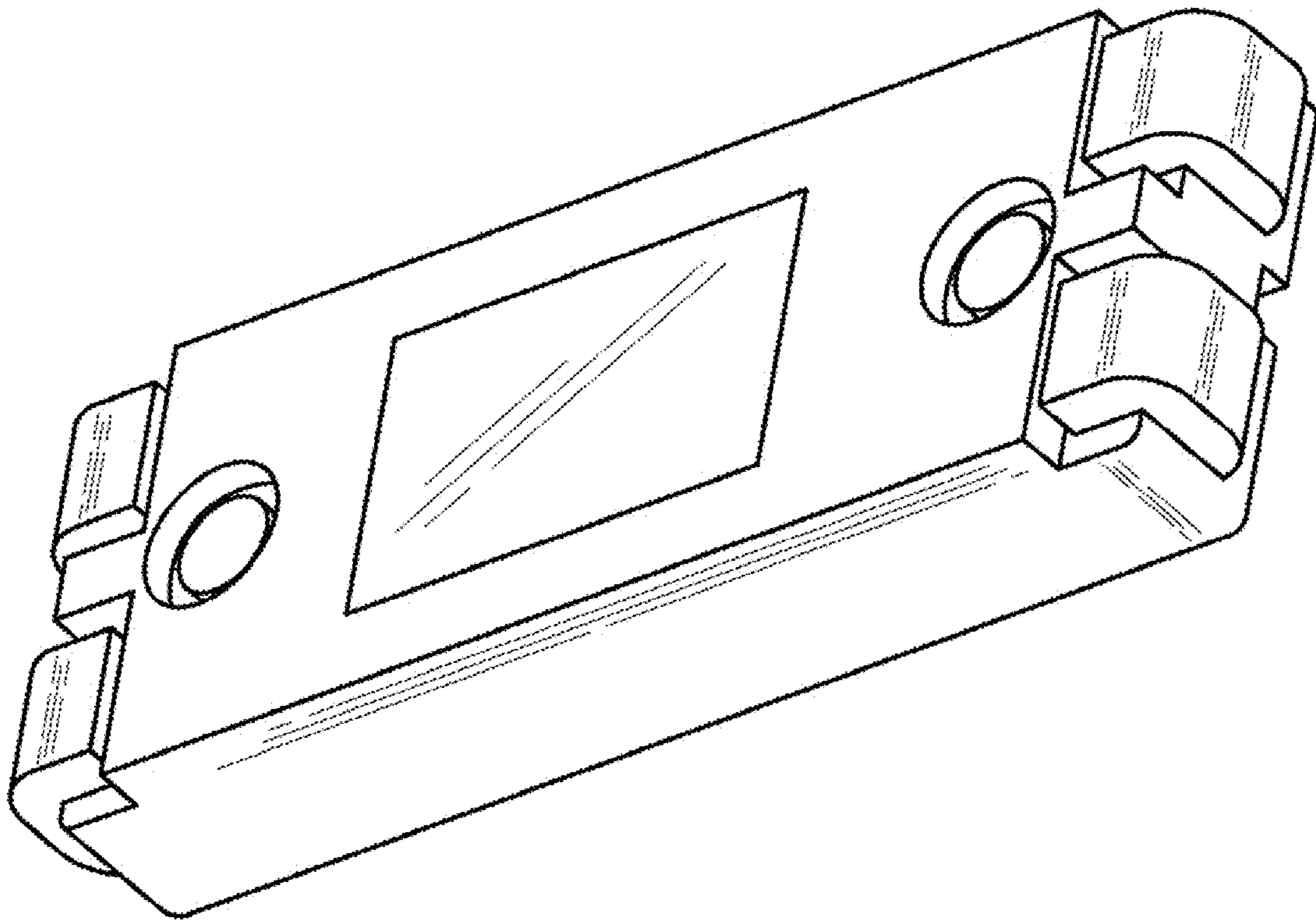


FIG.2

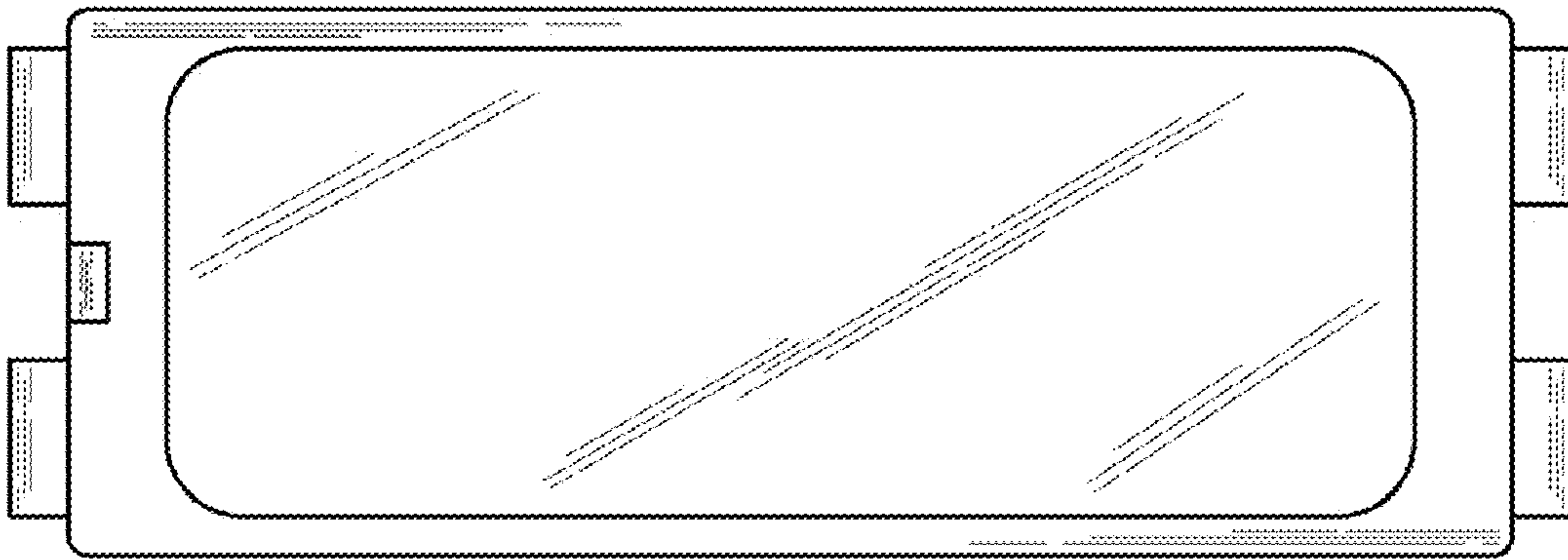


FIG.3

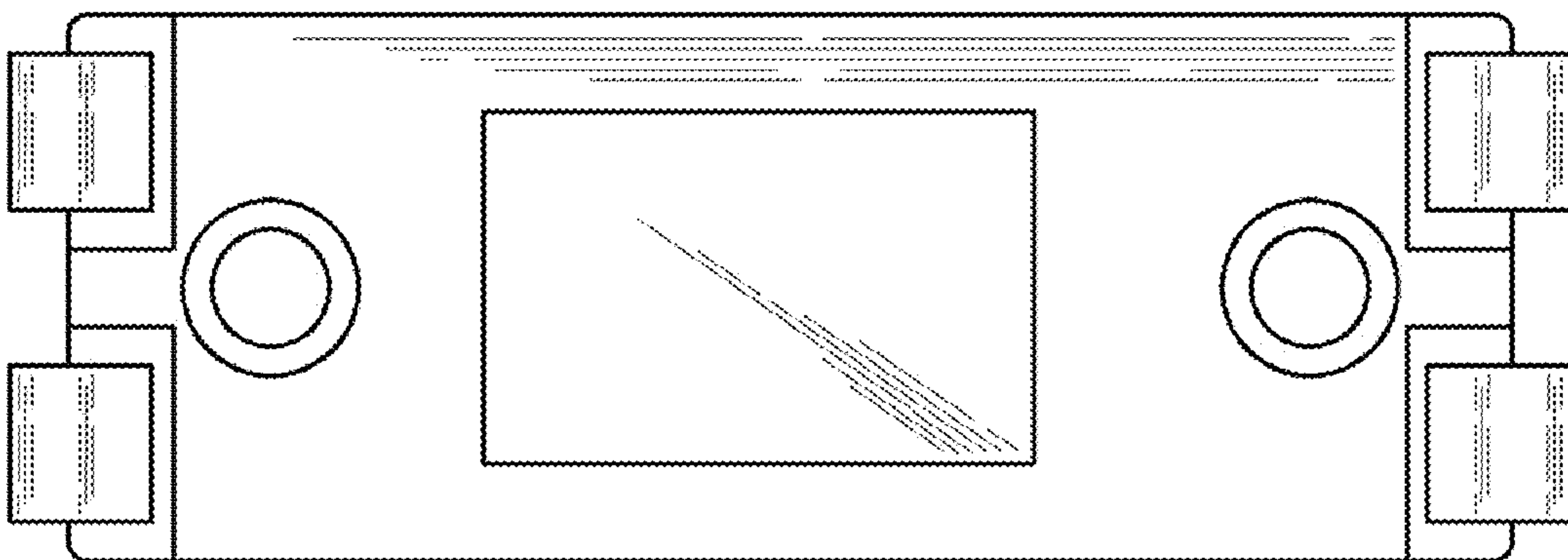


FIG.4

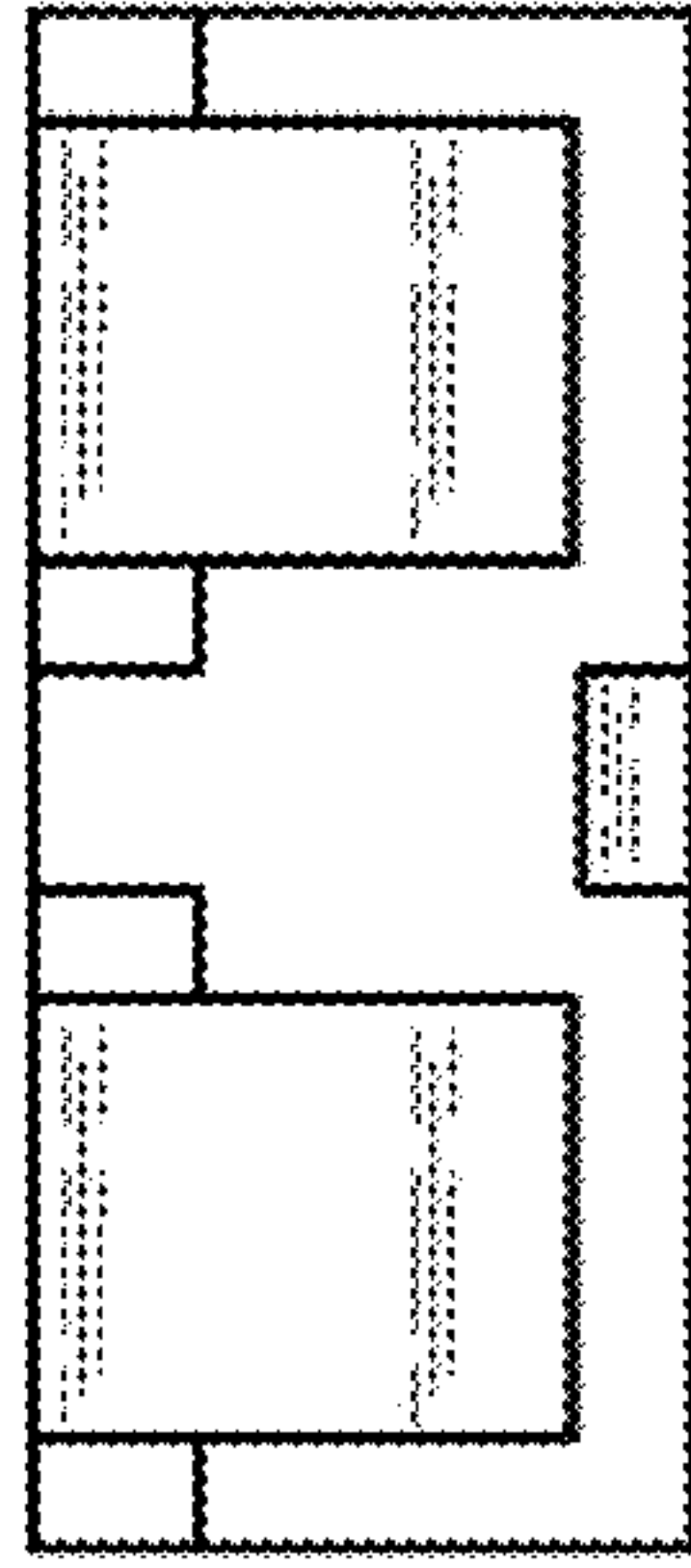


FIG. 5

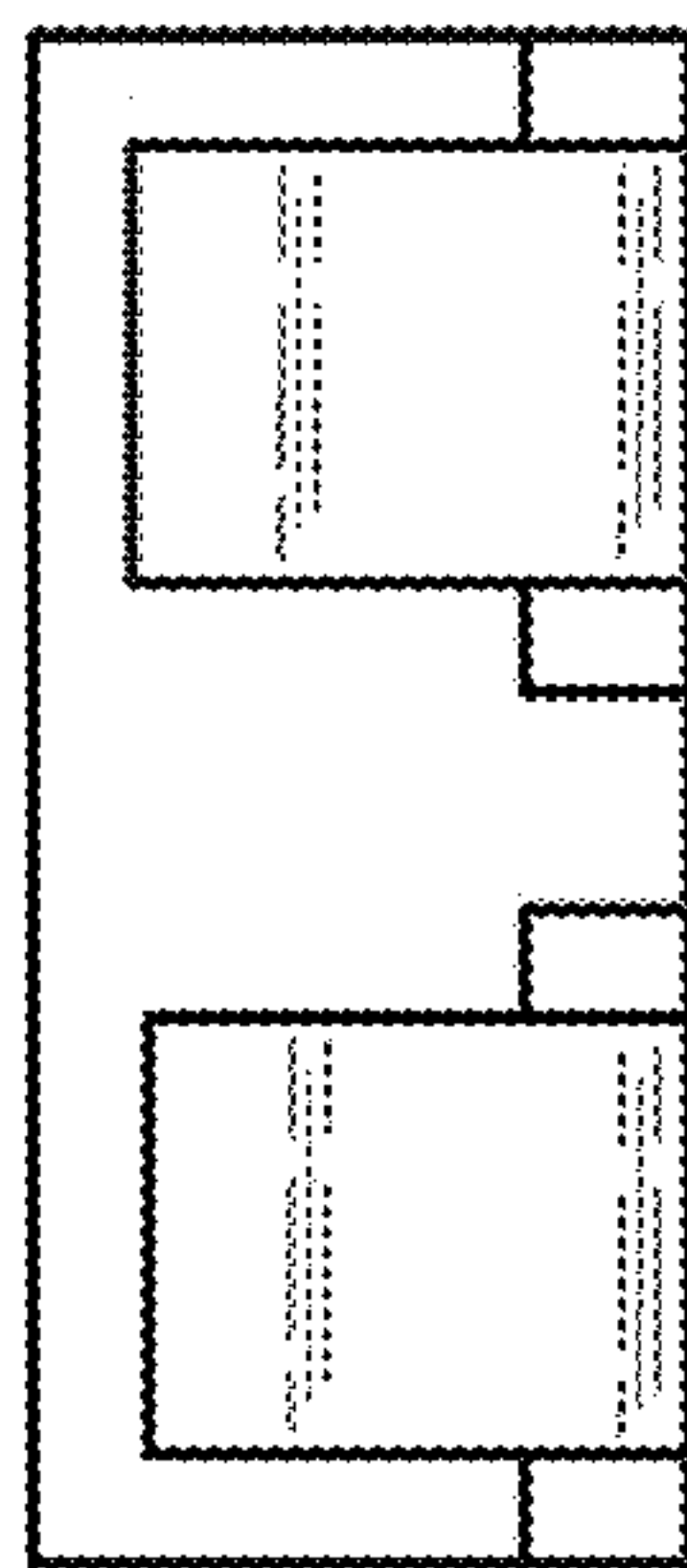


FIG. 6



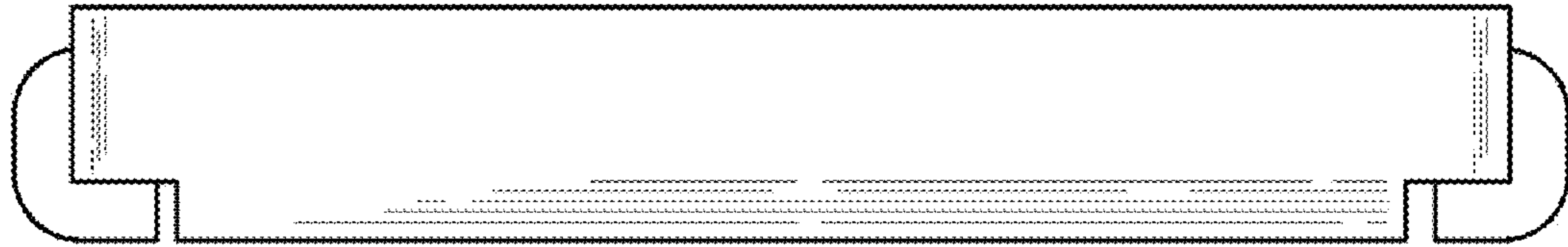


FIG. 7

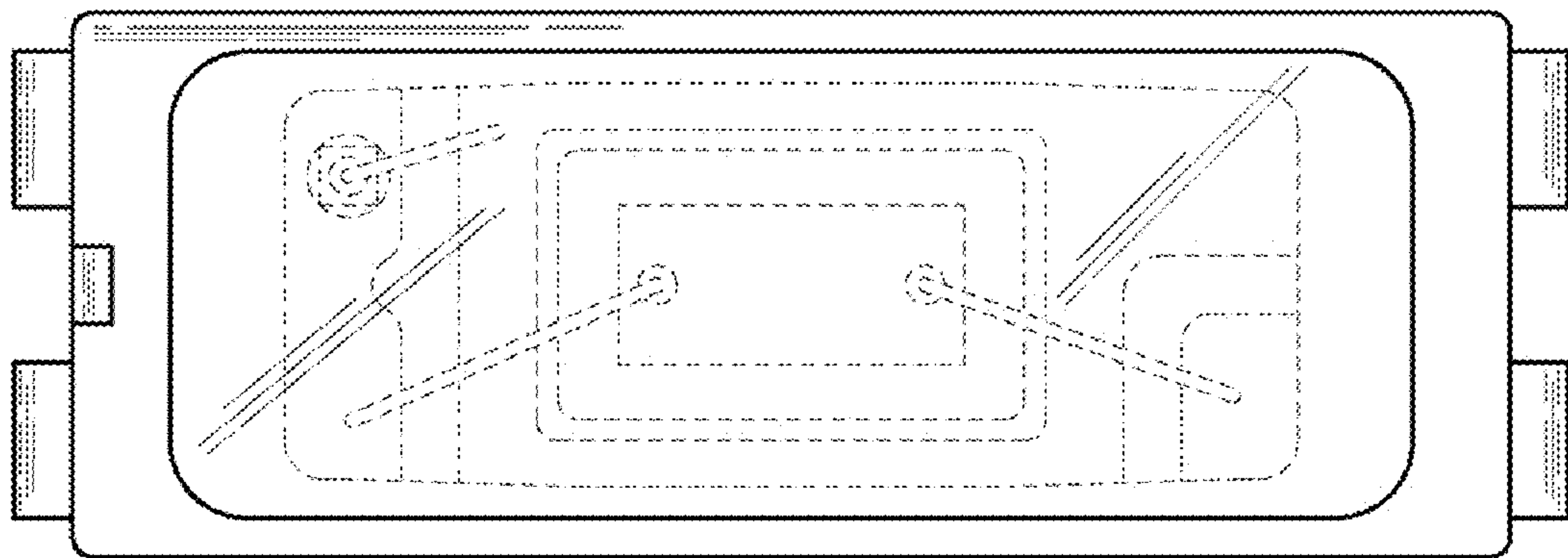


FIG. 8