

US00D628540S

(12) **United States Design Patent**
Tsou

(10) **Patent No.:** **US D628,540 S**

(45) **Date of Patent:** **** Dec. 7, 2010**

(54) **LIGHT EMITTING DIODE**

(75) Inventor: **Wen-Chieh Tsou**, Tucheng (TW)

(73) Assignee: **Everlight Electronics Co., Ltd.**,
Tucheng, Taipei County (TW)

(**) Term: **14 Years**

(21) Appl. No.: **29/354,836**

(22) Filed: **Jan. 29, 2010**

(51) **LOC (9) Cl.** **13-03**

(52) **U.S. Cl.** **D13/180**

(58) **Field of Classification Search** D13/180;
D26/2; 257/79, 80, 81, 88, 89, 95, 98, 99,
257/100, E33.058; 313/483, 498, 500; 362/555,
362/800

See application file for complete search history.

(56) **References Cited**

U.S. PATENT DOCUMENTS

5,032,960	A *	7/1991	Katoh	362/240
6,188,527	B1 *	2/2001	Bohn	359/710
6,392,342	B1 *	5/2002	Parikka	313/512
7,165,863	B1 *	1/2007	Thomas et al.	362/219
D565,515	S *	4/2008	Chen	D13/180
D577,852	S *	9/2008	Miyairi et al.	D26/120
D586,766	S *	2/2009	Imai et al.	D13/180
D587,218	S *	2/2009	Imai et al.	D13/180
D591,247	S *	4/2009	Miyashita et al.	D13/180
7,667,384	B2 *	2/2010	Chen et al.	313/500
7,714,334	B2 *	5/2010	Lin	257/81
2003/0198049	A1 *	10/2003	Hulse et al.	362/249
2007/0063213	A1 *	3/2007	Hsieh et al.	257/99
2007/0096114	A1 *	5/2007	Aoki et al.	257/79

2010/0002465 A1* 1/2010 Tsang et al. 362/612

FOREIGN PATENT DOCUMENTS

JP	1332784	6/2008
JP	1332914	6/2008
KR	30-03508180001	5/2004
KR	30-03508180002	5/2004

* cited by examiner

Primary Examiner—Selina Sikder

(74) *Attorney, Agent, or Firm*—Thomas, Kayden,
Horstemeyer & Risley, LLP

(57) **CLAIM**

The ornamental design for a lighting emitting diode, as shown and described.

DESCRIPTION

FIG. 1 is a perspective view of a light emitting diode showing the claimed design;

FIG. 2 is another bottom perspective view thereof;

FIG. 3 is a front elevational view thereof;

FIG. 4 is a rear elevational view thereof;

FIG. 5 is a left side elevational view thereof;

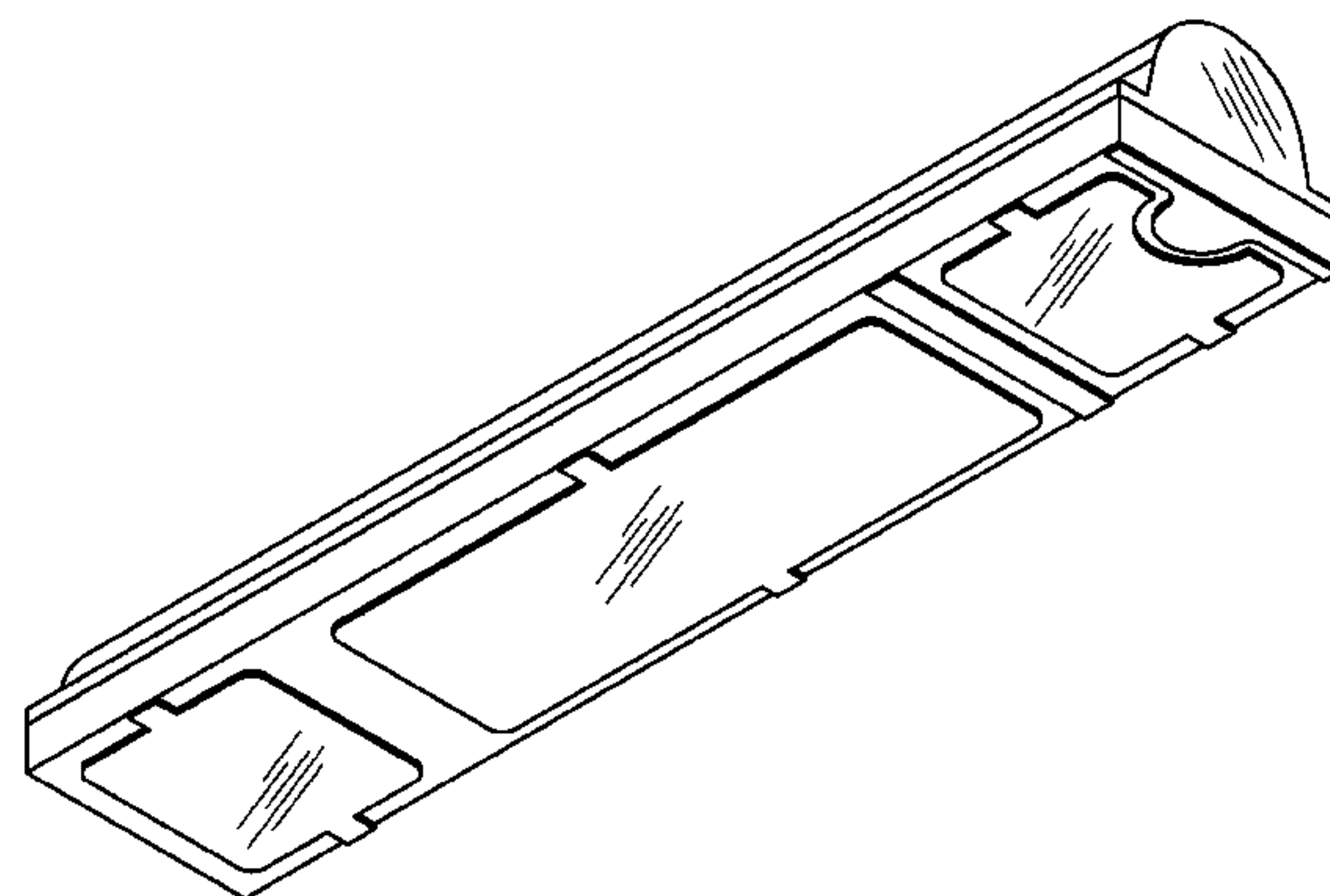
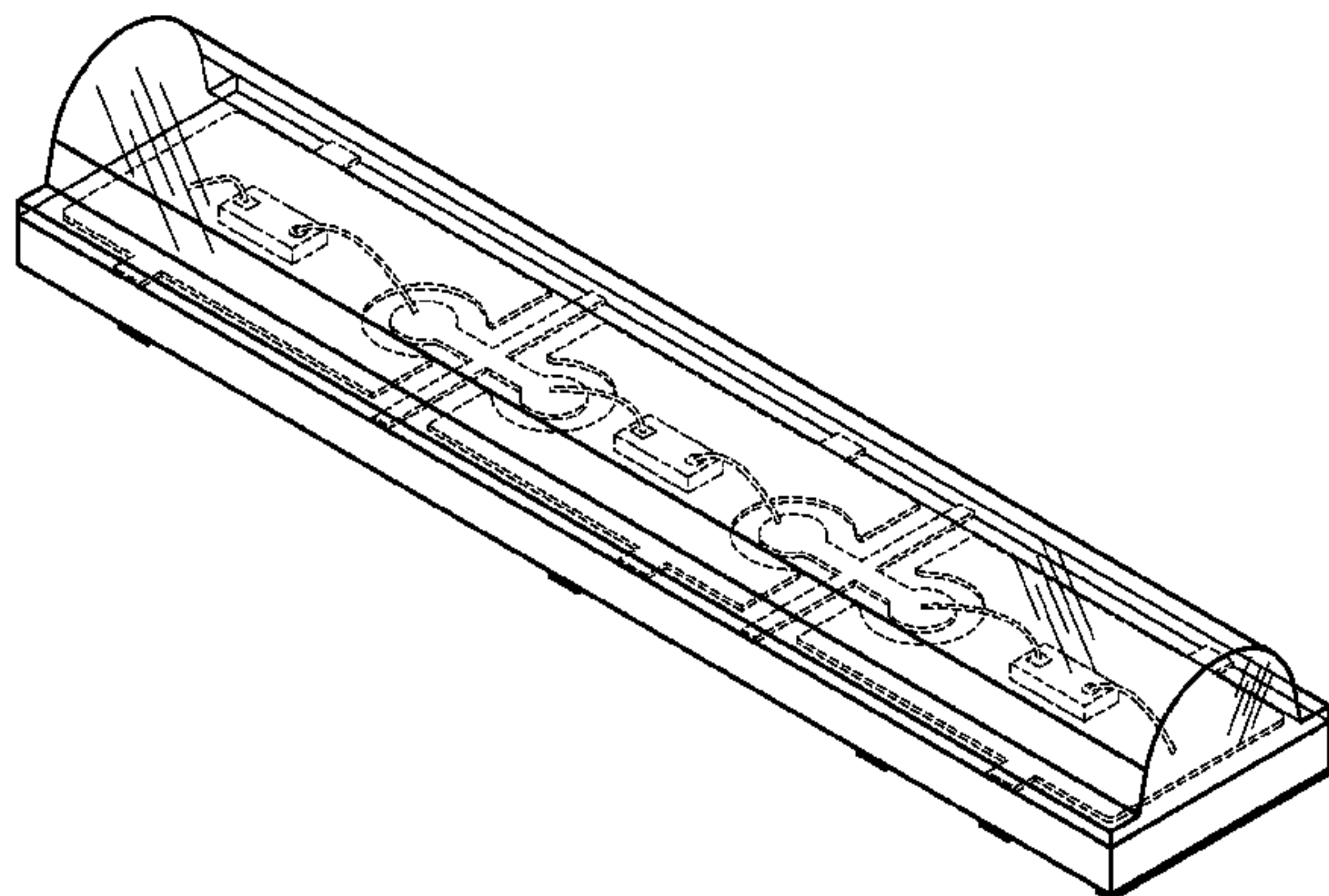
FIG. 6 is a right side elevational view thereof;

FIG. 7 is a top plan view thereof; and,

FIG. 8 is a bottom plan view thereof.

The light transmissible portion of the design may be made of transparent or translucent material. The broken lines are directed to environment and are for illustrative purpose only; the broken lines form no part of the claimed design.

1 Claim, 5 Drawing Sheets



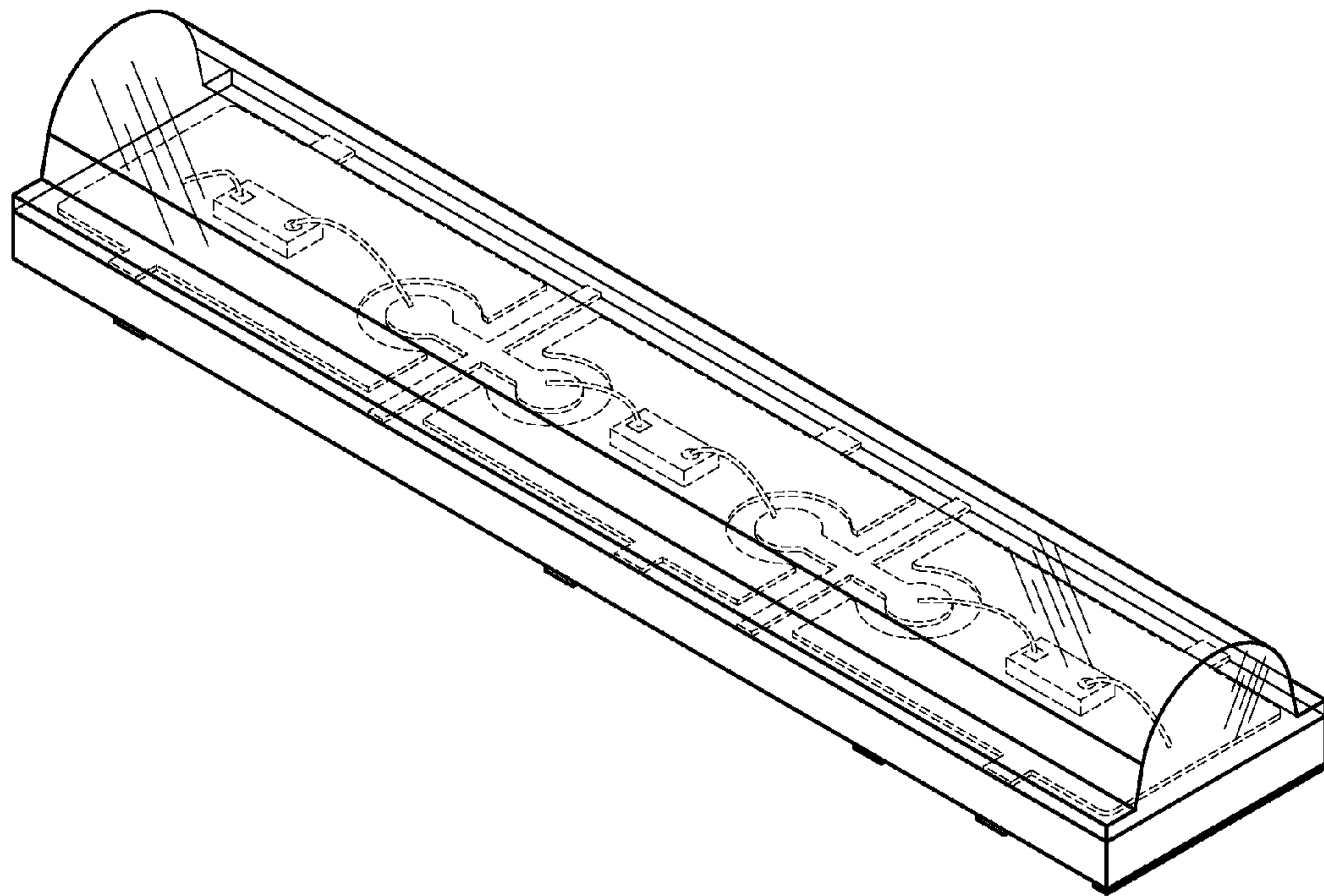


FIG. 1

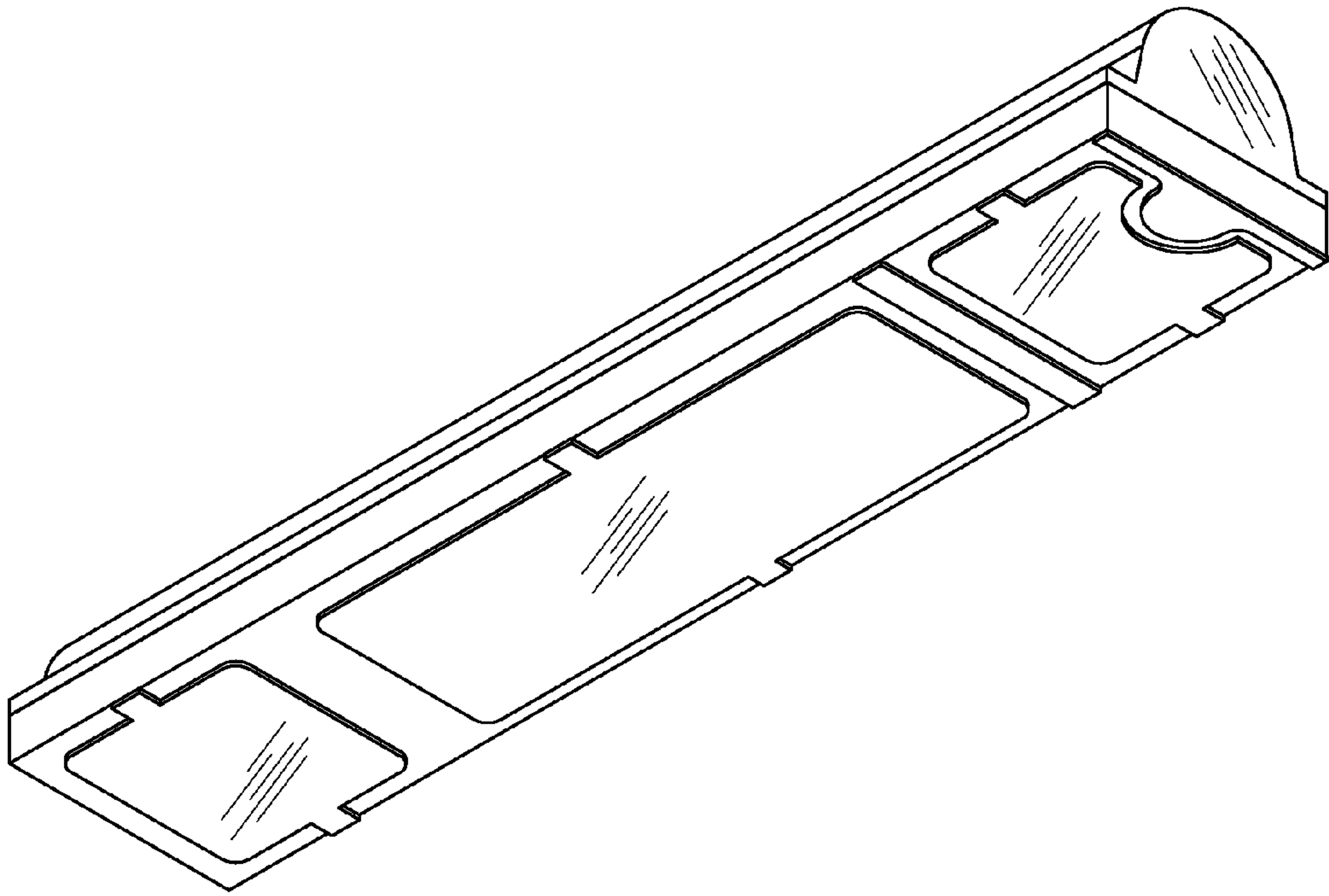


FIG. 2

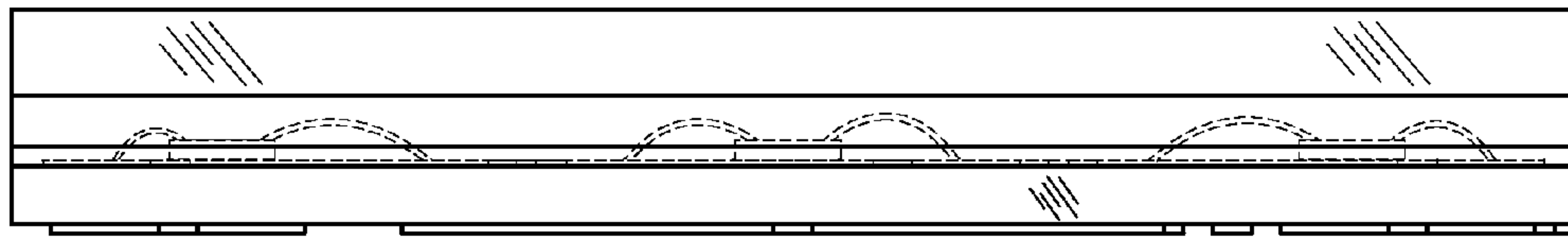


FIG. 3

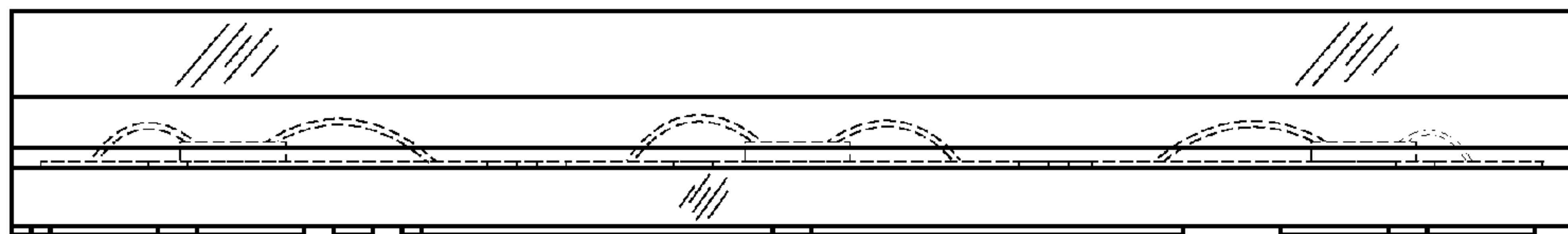


FIG. 4

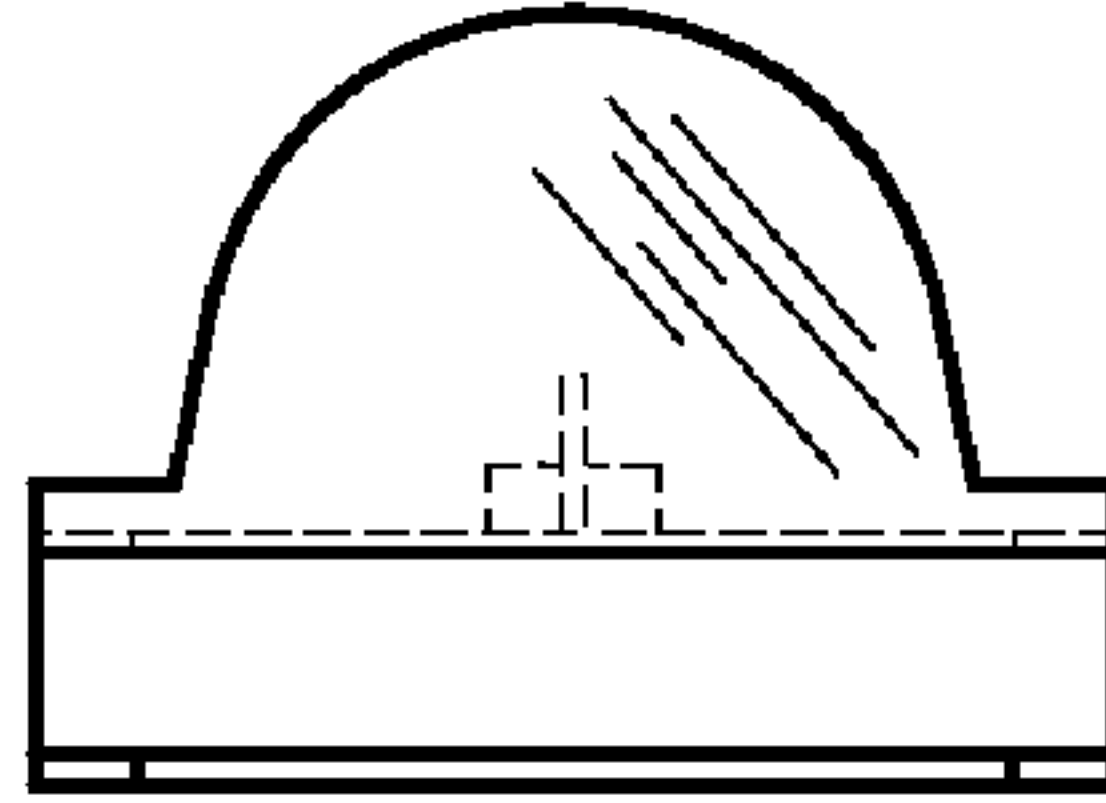


FIG. 5

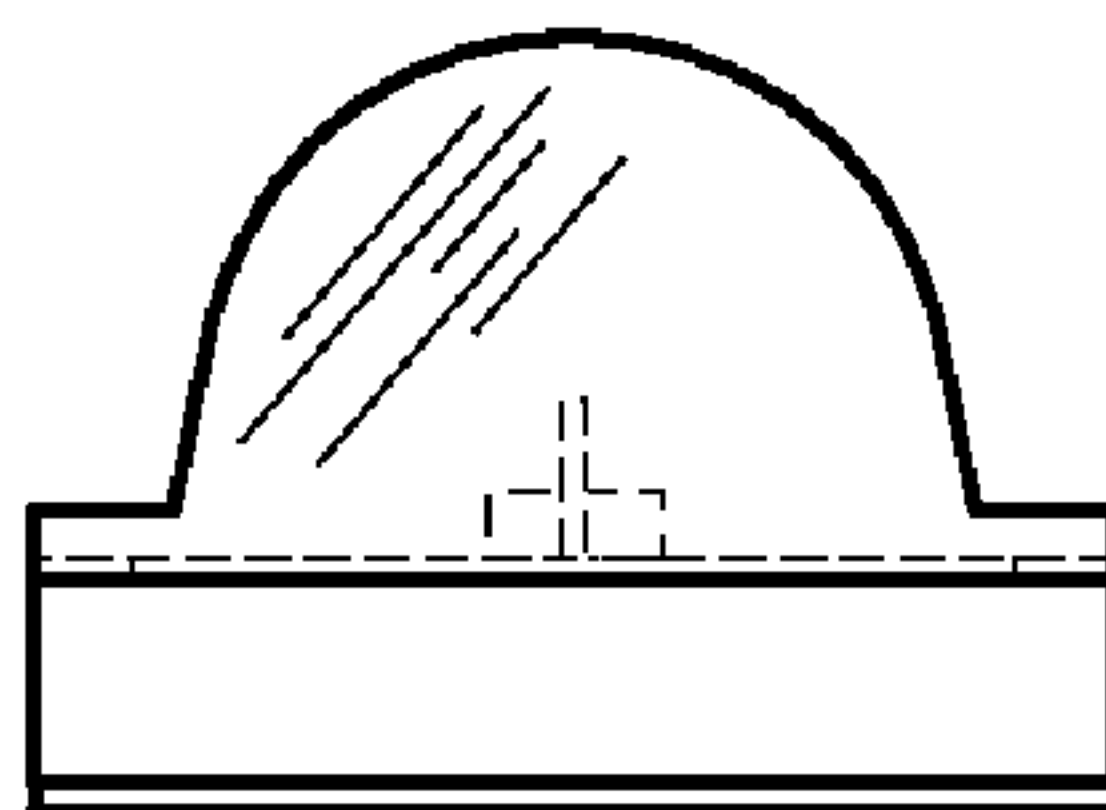


FIG. 6

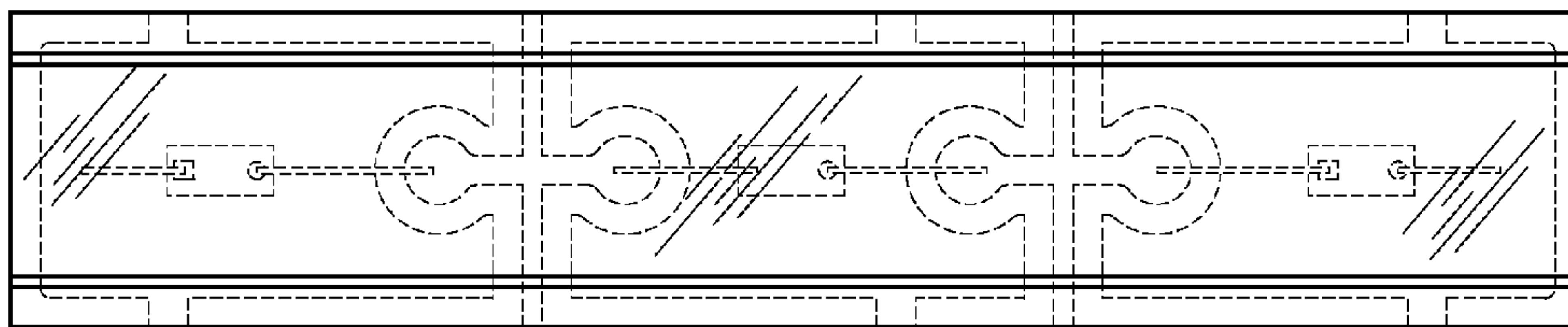


FIG. 7

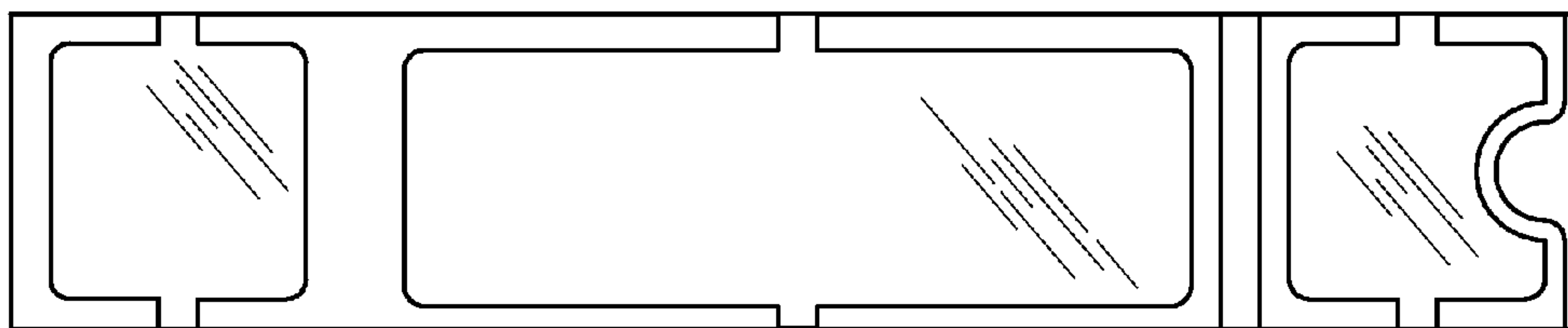


FIG. 8