



US00D628539S

(12) **United States Design Patent**  
**Tezak et al.**

(10) **Patent No.:** **US D628,539 S**

(45) **Date of Patent:** **\*\* Dec. 7, 2010**

(54) **SWITCH MOUNT**

(75) Inventors: **Robert J. Tezak**, Carol Stream, IL (US);  
**James E. Brown**, Naperville, IL (US);  
**Nicholas J. Scholtes**, Shorewood, IL (US)

(73) Assignee: **Control Solutions LLC**, Aurora, IL (US)

(\*\*) Term: **14 Years**

(21) Appl. No.: **29/351,647**

(22) Filed: **Dec. 9, 2009**

(51) **LOC (9) Cl.** ..... **13-03**

(52) **U.S. Cl.** ..... **D13/152; D8/349**

(58) **Field of Classification Search** ..... D13/133,  
D13/139.4, 152, 156, 184, 199; 174/50,  
174/53-55, 58, 60, 66, 67; 220/3.2, 3.3,  
220/3.6-3.9, 241, 242, 244, 315, 4.02; 248/200,  
248/205.1, 207, 300, 309.1, 351, 352, 906;  
439/76.2, 135, 136, 138, 142, 166, 212, 213,  
439/367, 373, 507, 535, 536, 537, 541, 892,  
439/893, 620.27, 949; D8/349, 354, 356,  
D8/366, 373, 380; D12/223

See application file for complete search history.

(56) **References Cited**

**U.S. PATENT DOCUMENTS**

D445,019 S \* 7/2001 Vitetta ..... D8/366  
D459,312 S \* 6/2002 Roesch et al. .... D13/152

D463,384 S \* 9/2002 Hu ..... D13/199  
D472,222 S \* 3/2003 Brown et al. .... D13/199  
6,710,245 B2 \* 3/2004 Roesch et al. .... 174/50  
D556,694 S \* 12/2007 Sipe ..... D13/152  
D567,769 S \* 4/2008 Sinai ..... D13/173  
D591,689 S \* 5/2009 Assaraf et al. .... D13/152  
D597,035 S \* 7/2009 Libby ..... D13/156  
D615,847 S \* 5/2010 Tezak et al. .... D8/349  
D619,098 S \* 7/2010 Mike ..... D13/152  
D622,131 S \* 8/2010 Tezak et al. .... D8/349

\* cited by examiner

*Primary Examiner*—Rosemary K Tarcza

(74) *Attorney, Agent, or Firm*—The Eclipse Group LLP

(57) **CLAIM**

We claim the ornamental design for a switch mount, as shown and described.

**DESCRIPTION**

FIG. 1 is a top-right perspective view of the switch mount;

FIG. 2 is a top view thereof;

FIG. 3 is a left side view thereof;

FIG. 4 is a front view thereof;

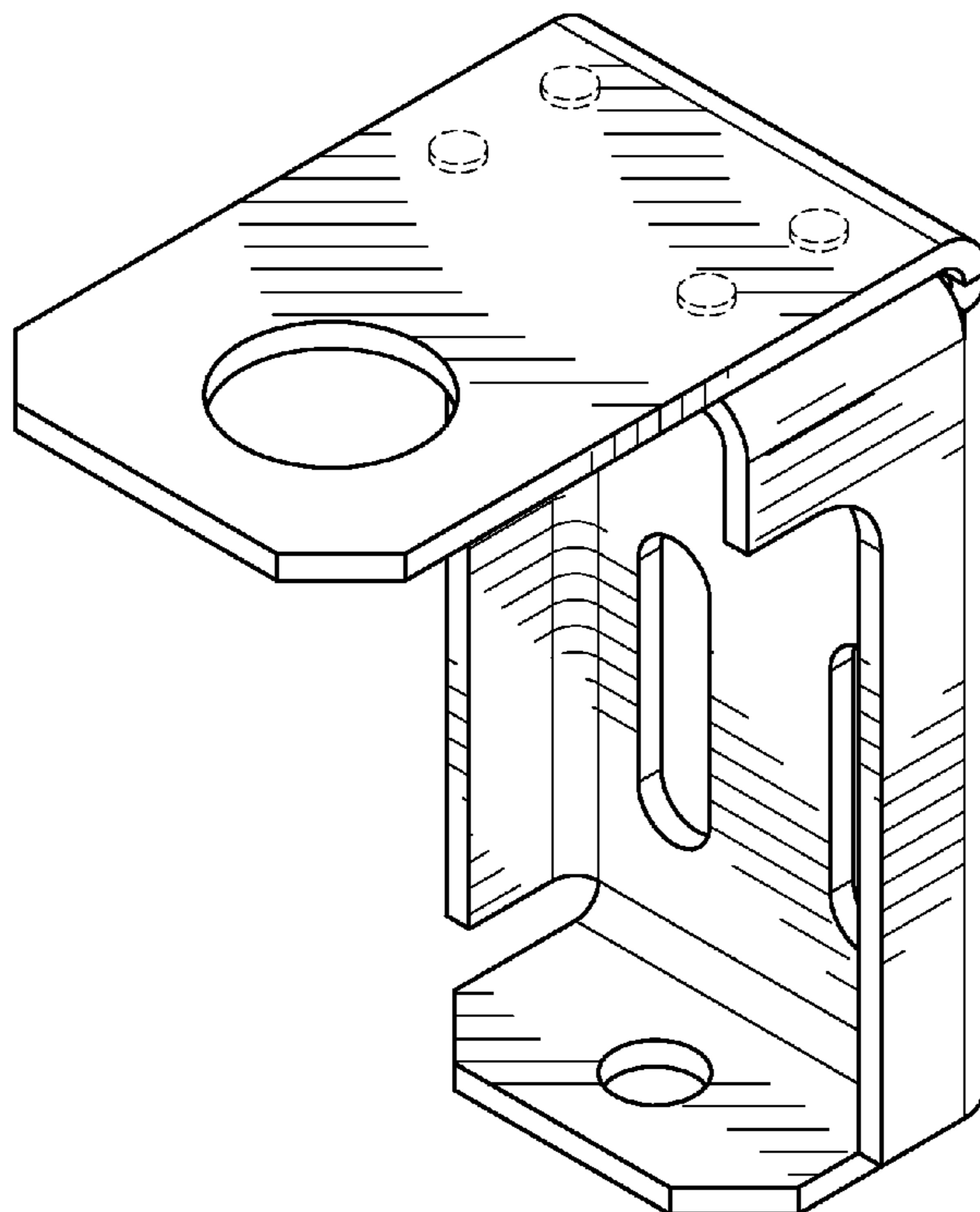
FIG. 5 is a right side view thereof;

FIG. 6 is a rear view thereof; and,

FIG. 7 is a bottom view thereof.

The dashed lines in various figures are for illustrative purposes only and form no part of the claimed design.

**1 Claim, 3 Drawing Sheets**



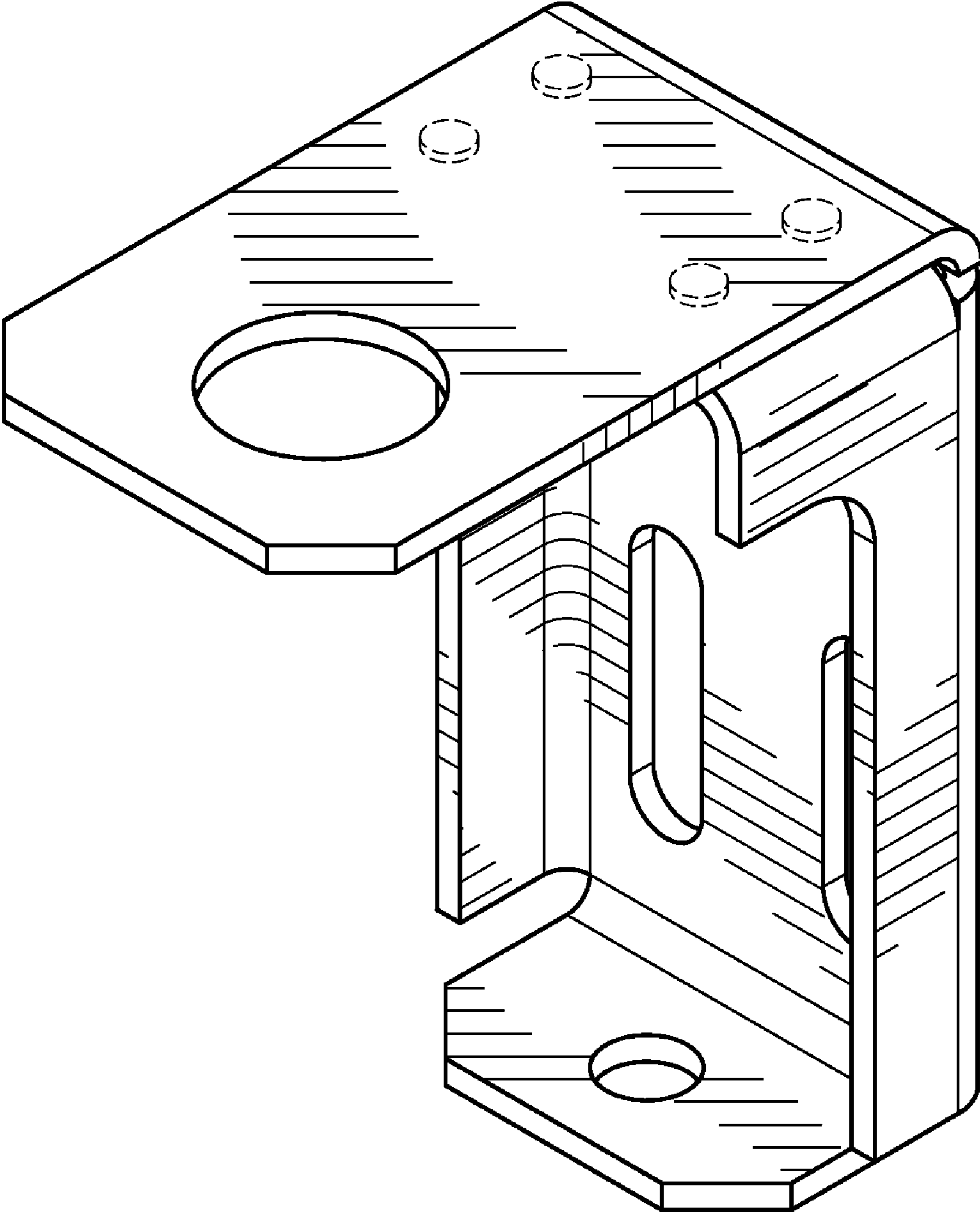


FIG. 1

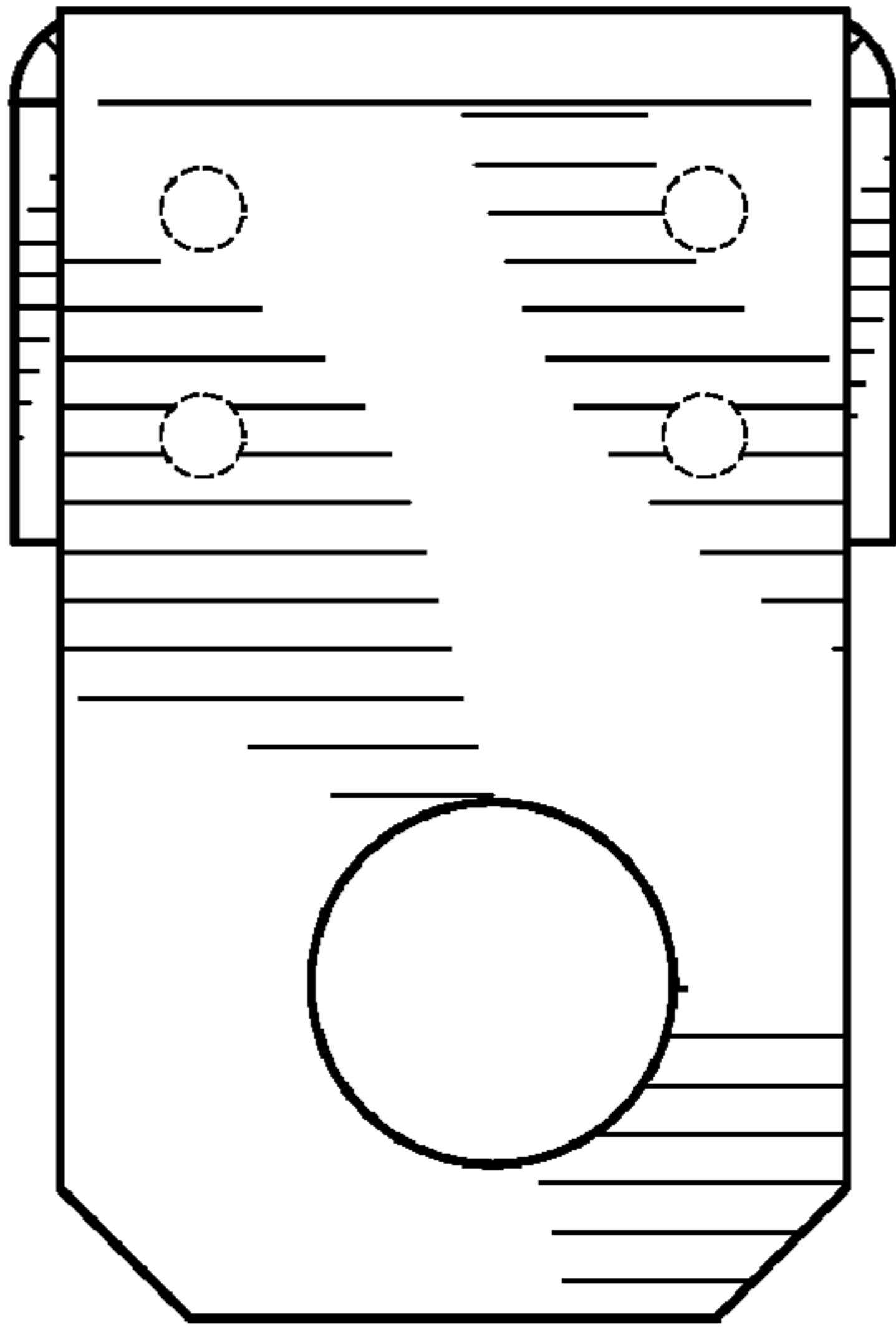


FIG. 2

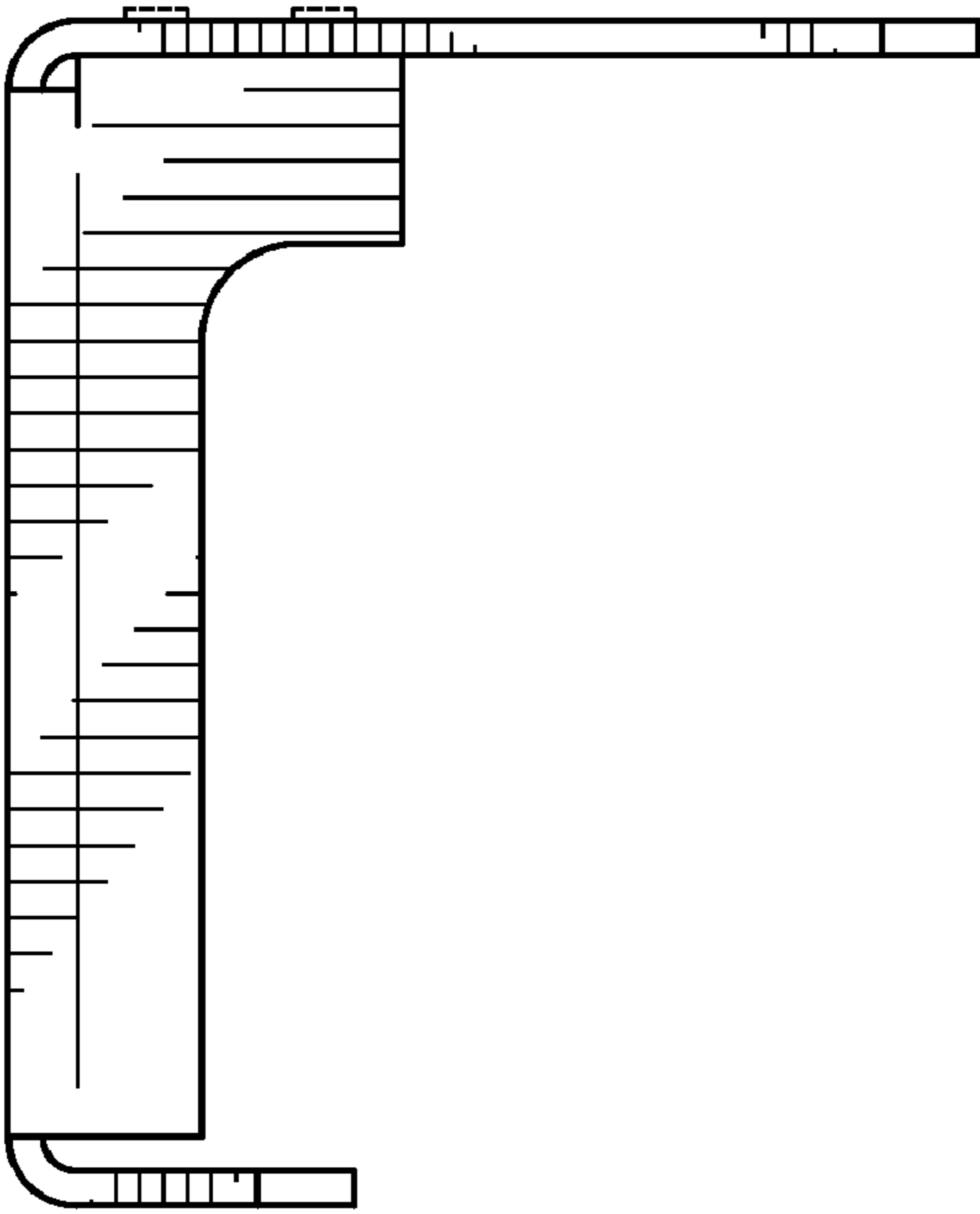


FIG. 3

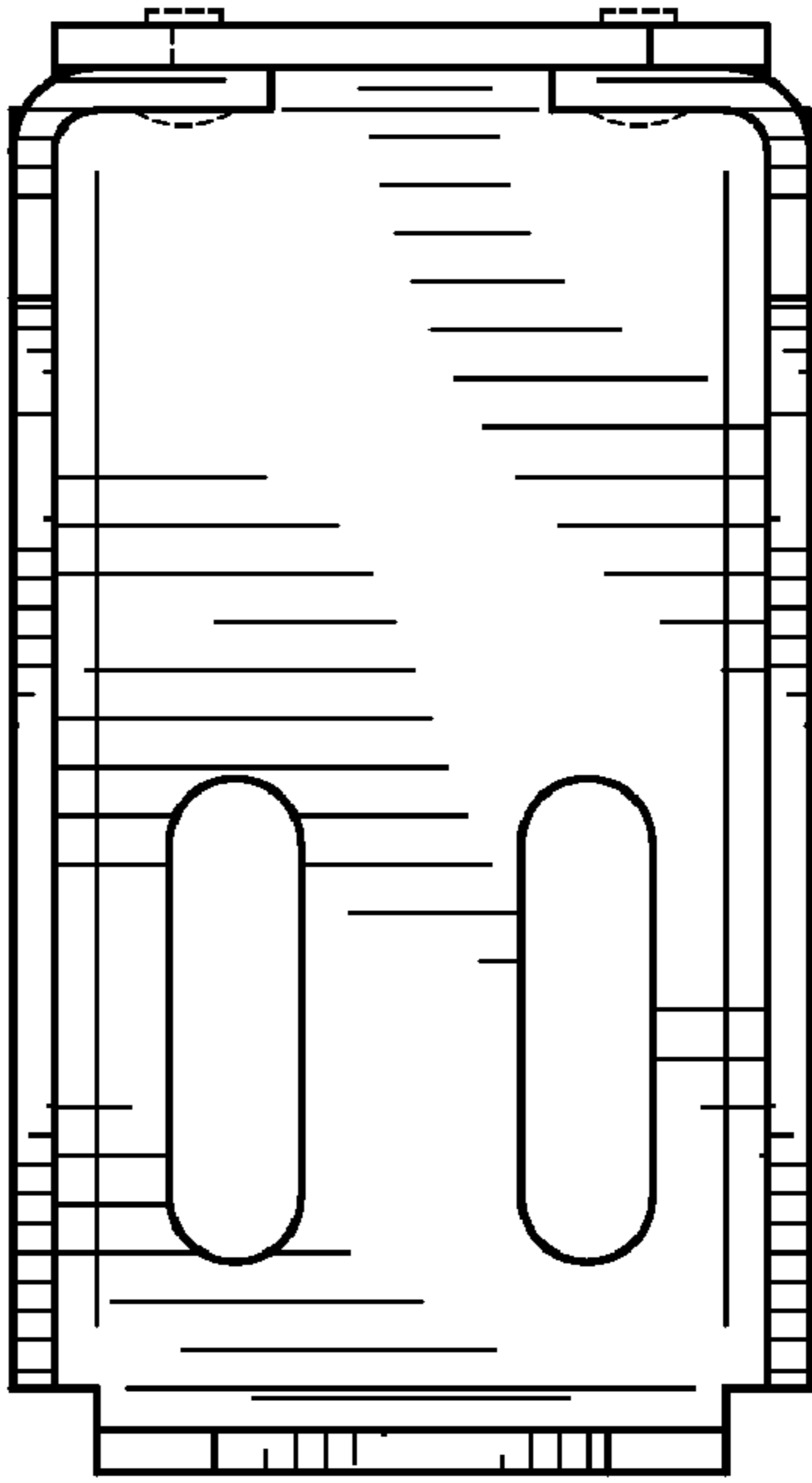


FIG. 4

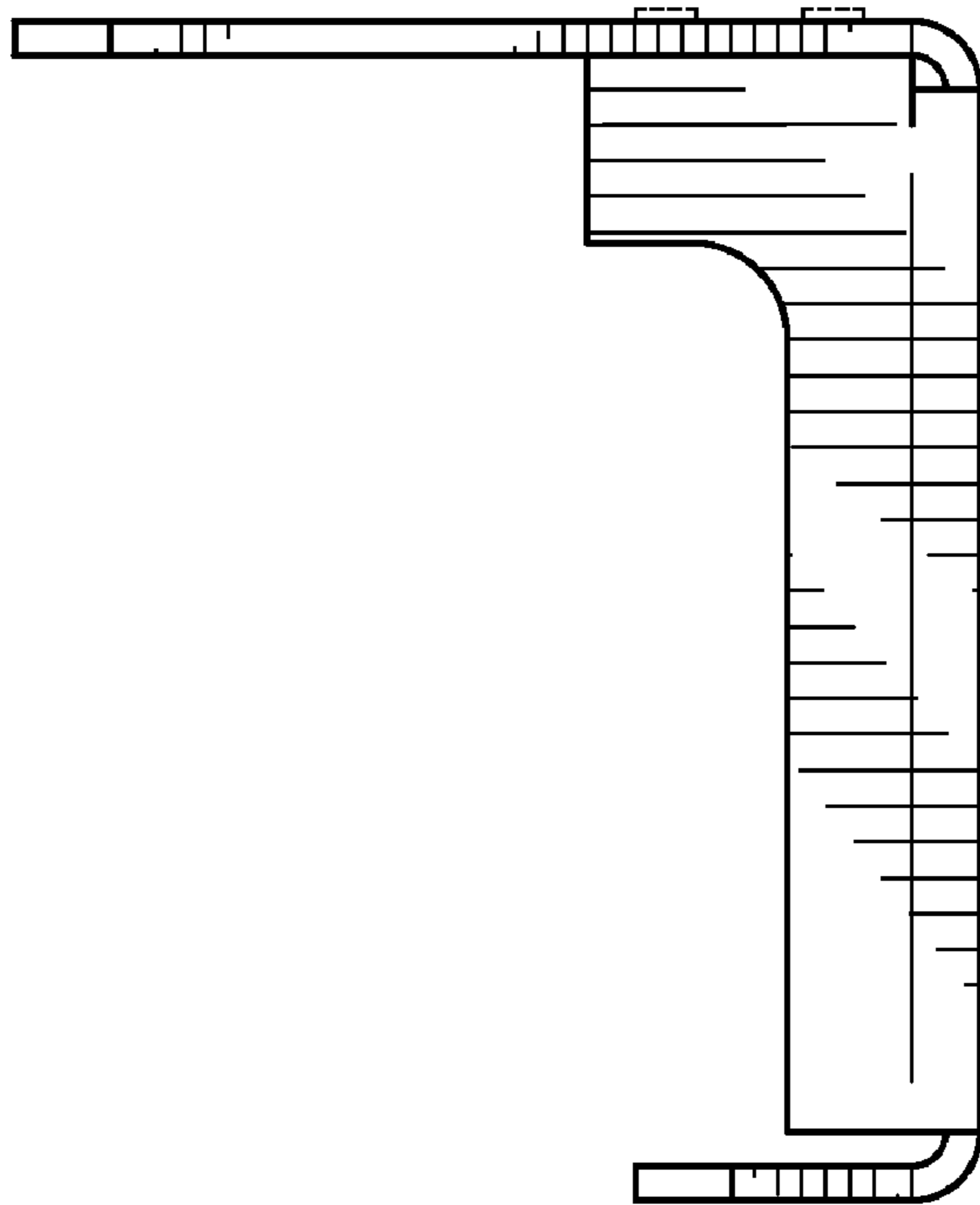


FIG. 5

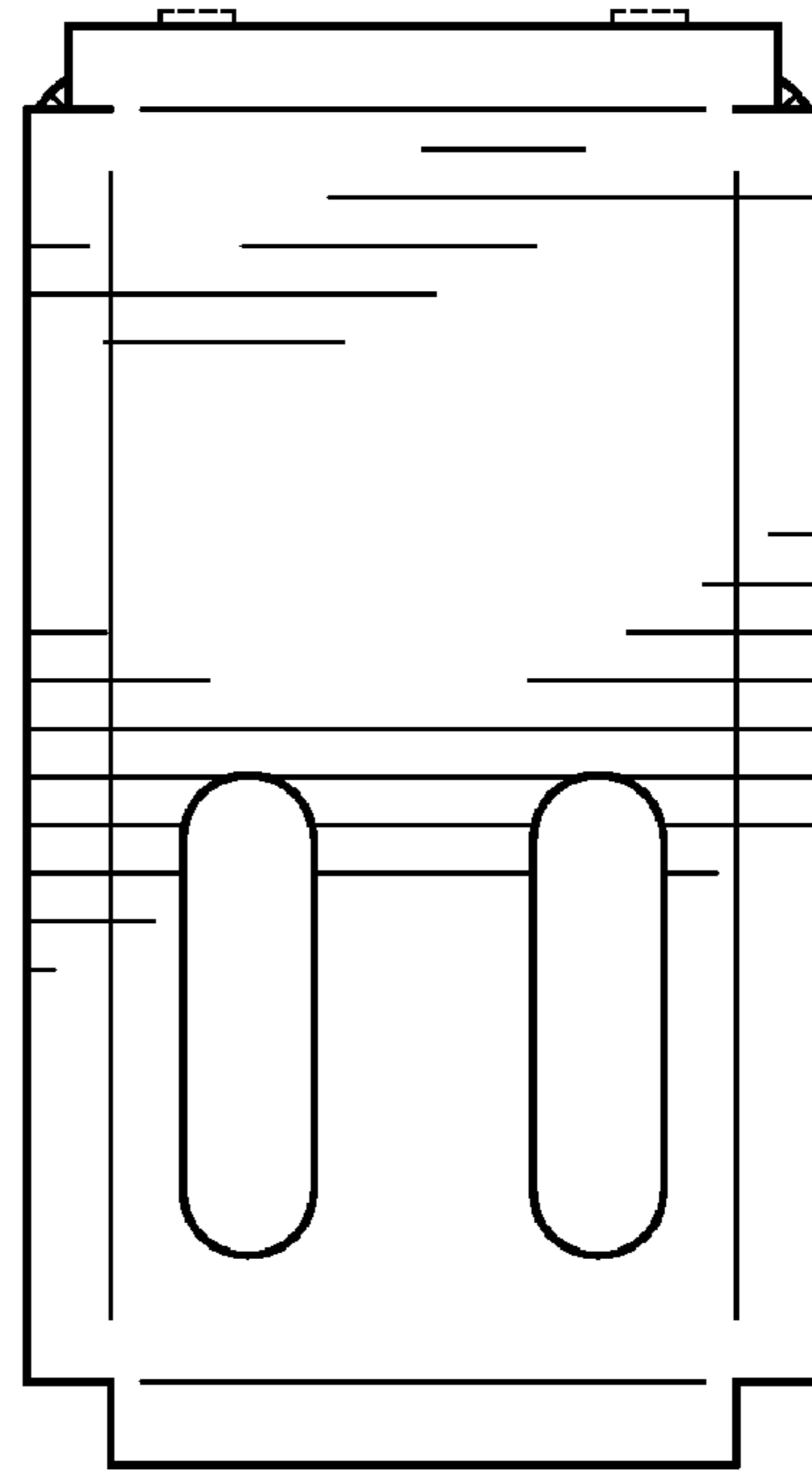


FIG. 6

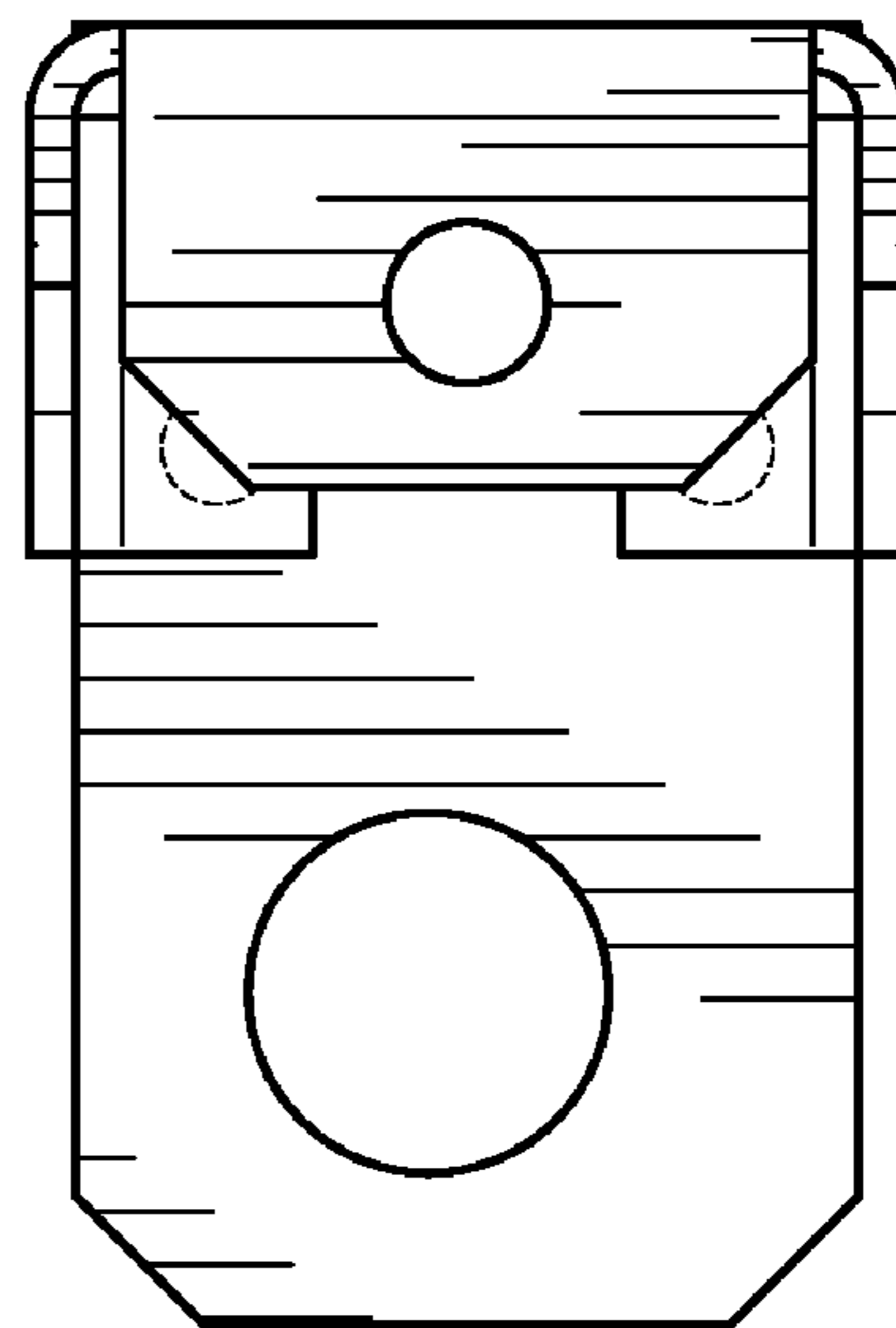


FIG. 7